

[54] MOUNTING FRAME FOR MEASURING INSTRUMENTS

[75] Inventor: Toshikazu Yusa, Tokyo, Japan

[73] Assignee: Tokyo Compass Mfg. Co., Ltd., Tokyo, Japan

[**] Term: 14 Years

[21] Appl. No.: 770,309

[22] Filed: Aug. 27, 1985

[52] U.S. Cl. D10/103; D10/128; D10/18

[58] Field of Search D10/18, 52-57, D10/60, 68, 85, 96, 101, 102, 103, 128; 73/431

[56] References Cited

U.S. PATENT DOCUMENTS

- D. 131,209 1/1942 Kauffman D10/18 X
- D. 235,093 5/1975 Kroner D10/18
- D. 274,042 5/1984 Bulgari D10/18

- 1,804,048 5/1931 Bosch D10/18 X
- 4,638,666 1/1987 Wong 73/431

Primary Examiner—Nelson C. Holtje
Attorney, Agent, or Firm—Koda and Androlia

[57] CLAIM

The ornamental design for a mounting frame for measuring instruments, as shown and described.

DESCRIPTION

FIG. 1 is a front elevational view of a mounting frame for measuring instruments showing my new design;
 FIG. 2 is a rear elevational view thereof;
 FIG. 3 is a top plan view thereof;
 FIG. 4 is a bottom plan view thereof;
 FIG. 5 is a left side elevational view thereof, and the right side being a mirror image thereof;
 FIG. 6 is a top and right front perspective view thereof;
 FIG. 7 is a right side elevational view of FIG. 6, the left side being a mirror image thereof; and
 FIG. 8 is a rear elevational view of FIG. 6.

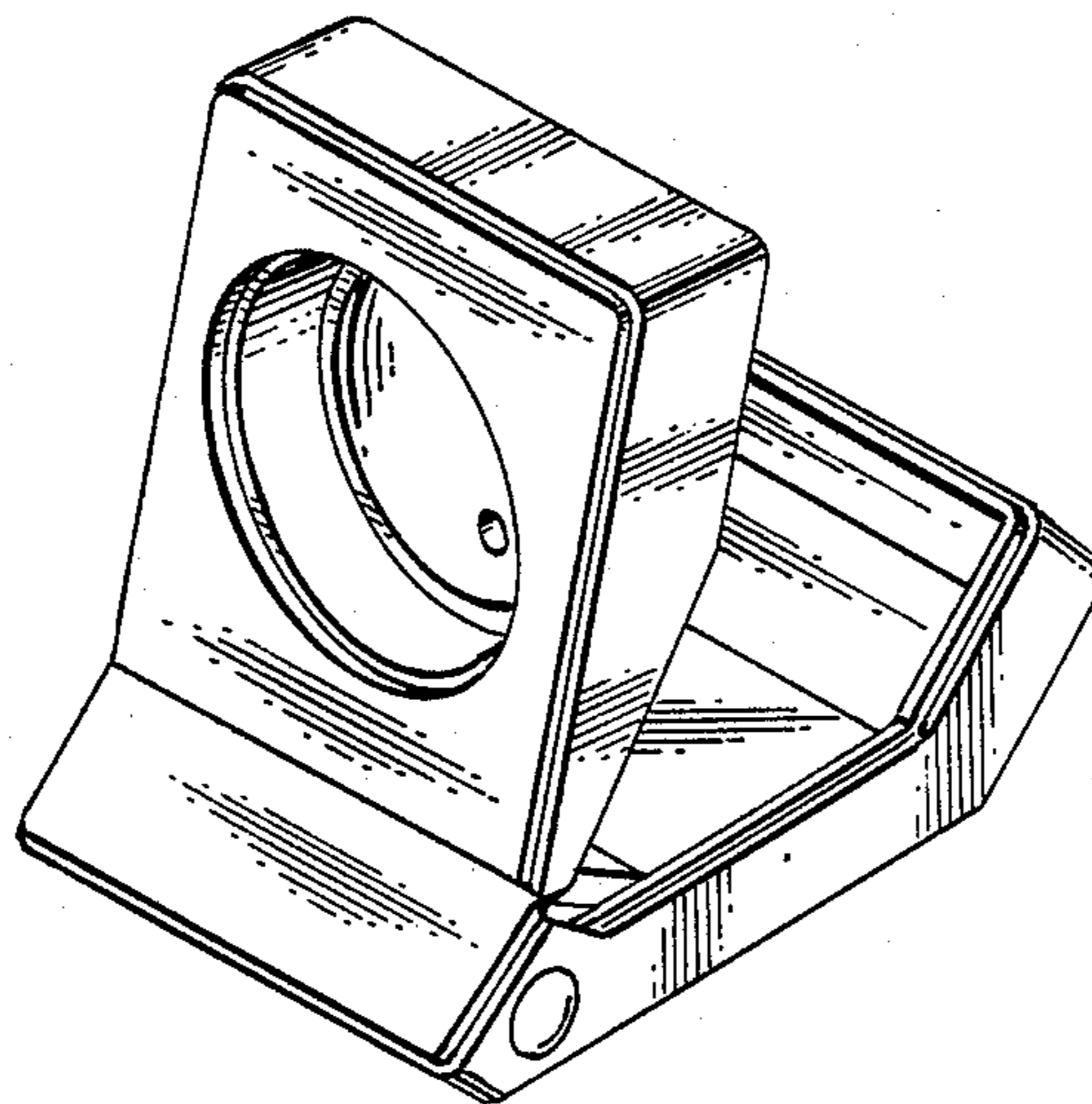


FIG. 1

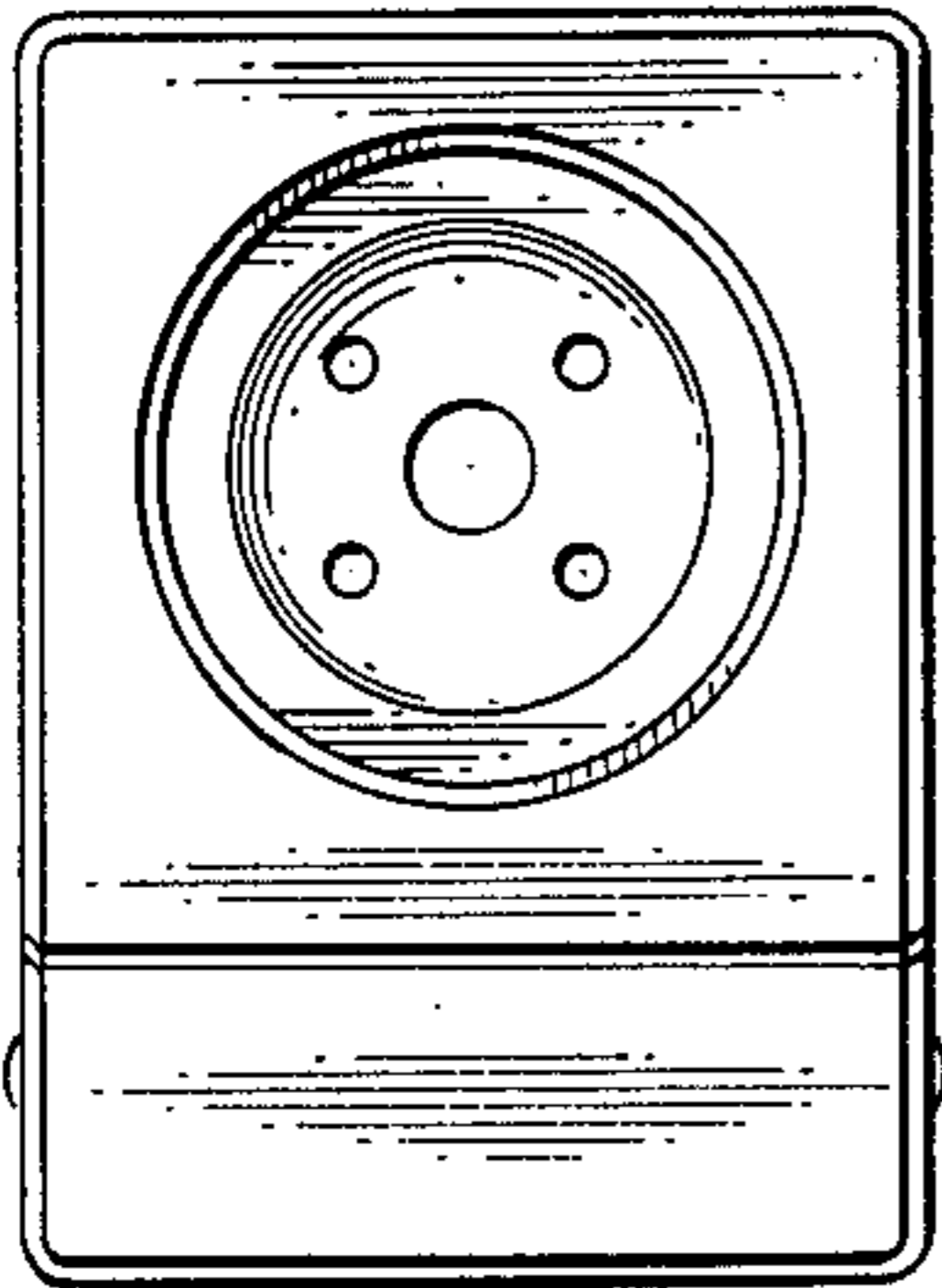


FIG. 2

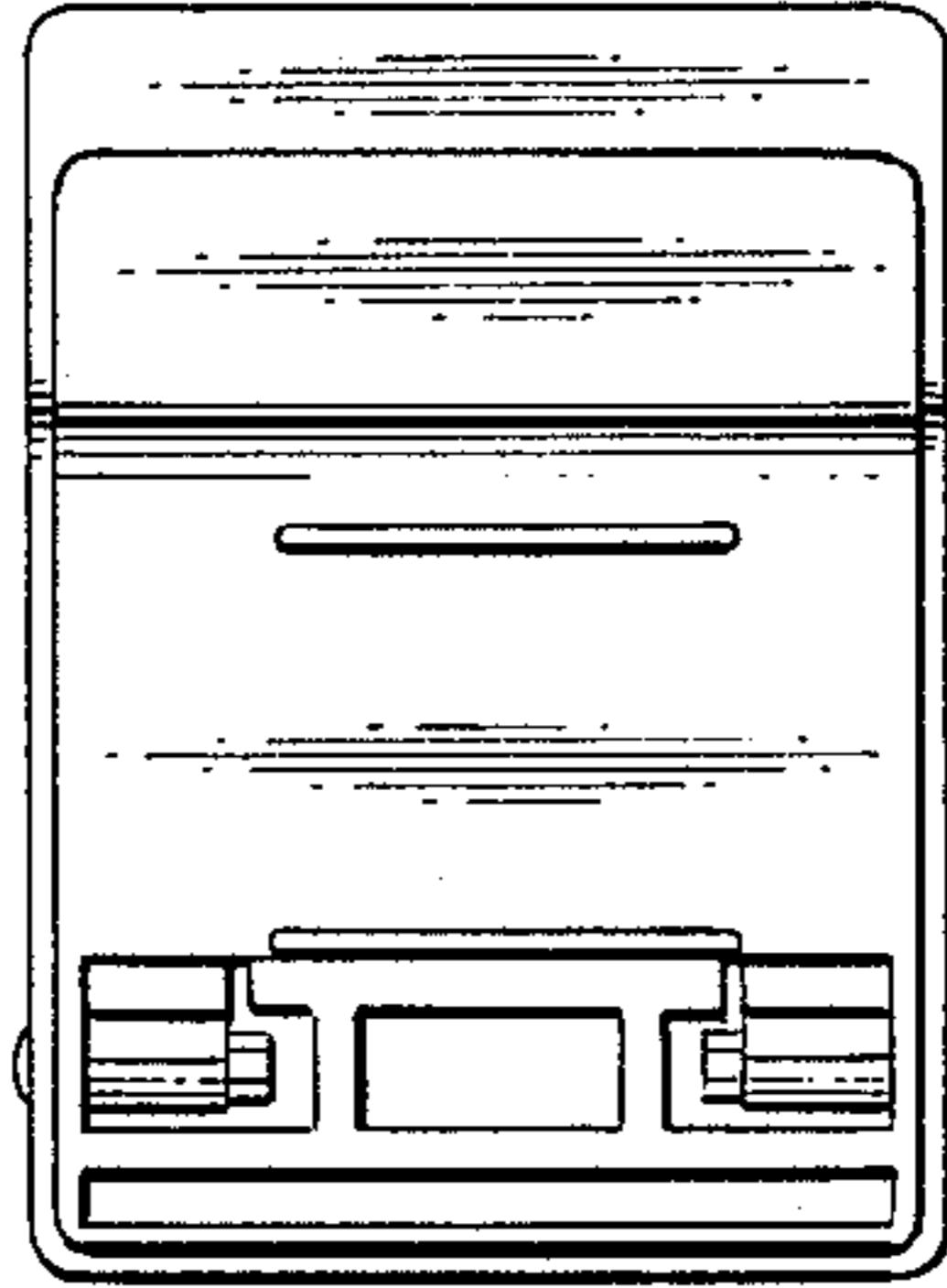


FIG. 5

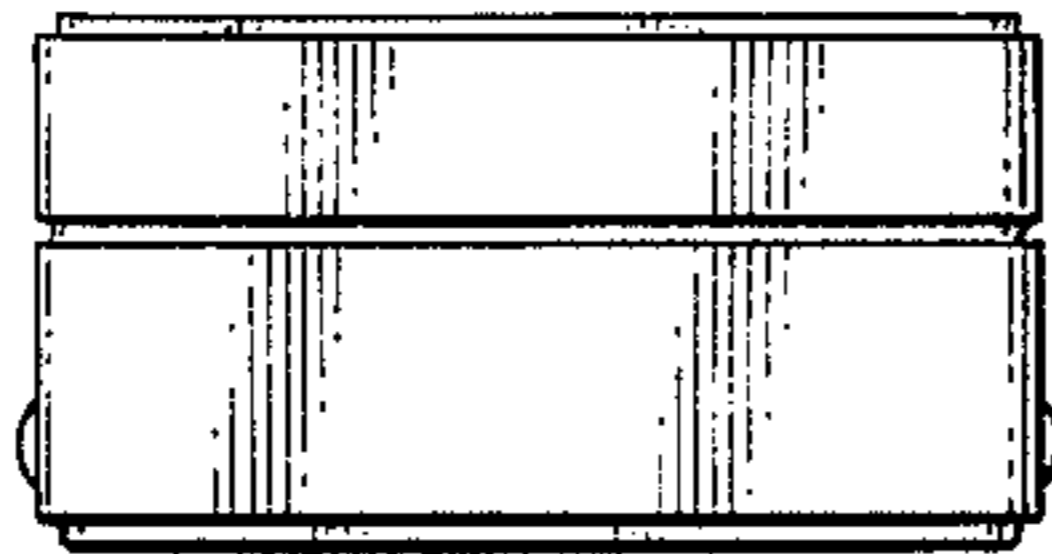
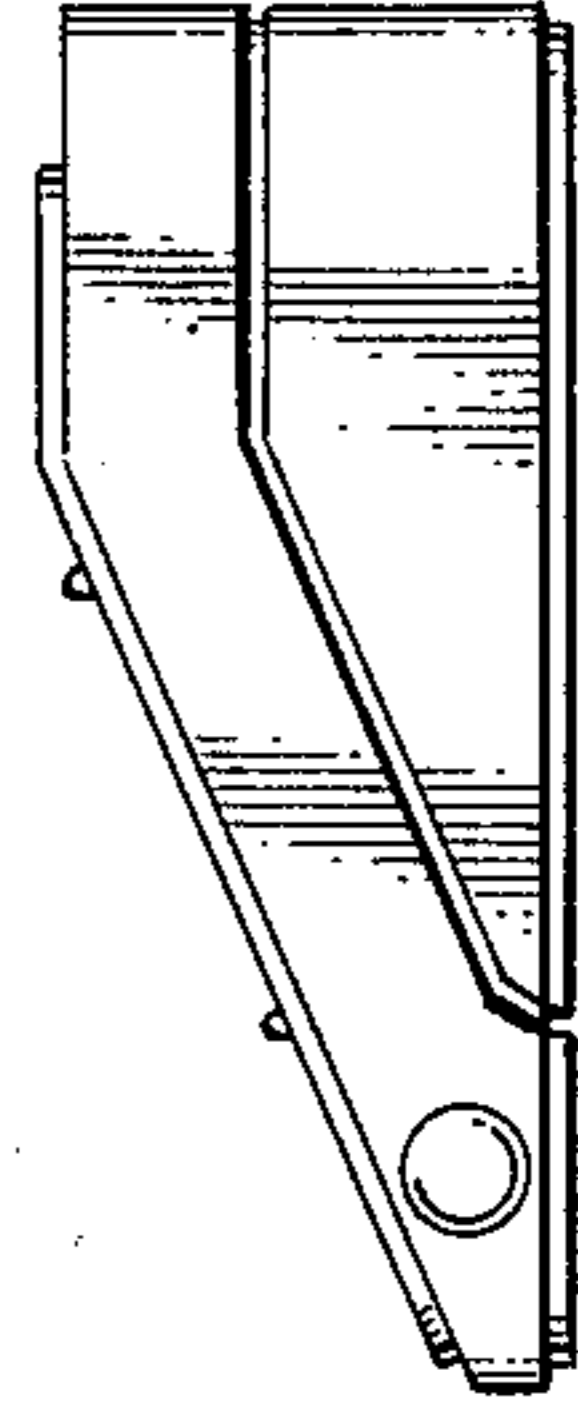


FIG. 3

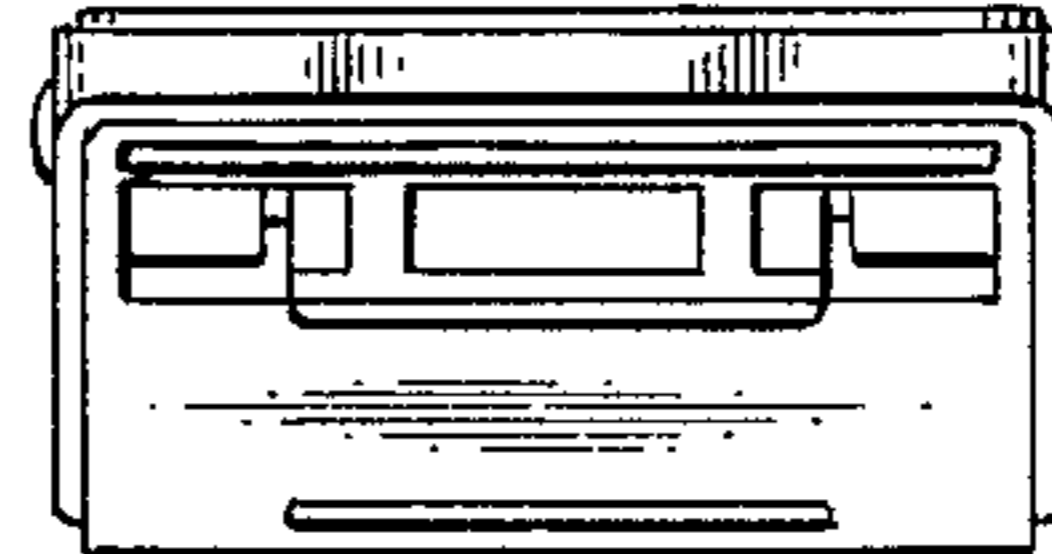


FIG. 4

FIG. 6

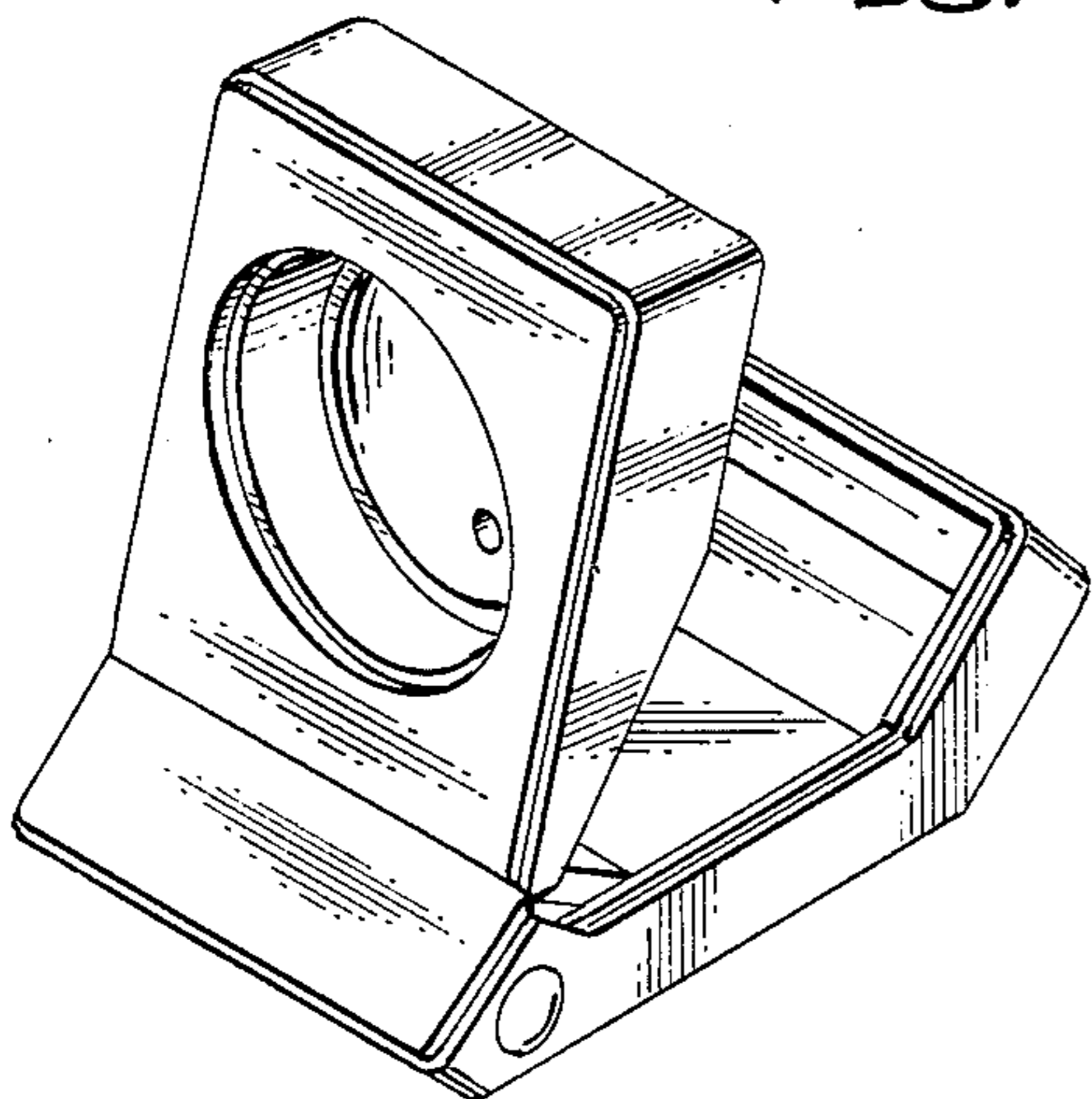


FIG. 7

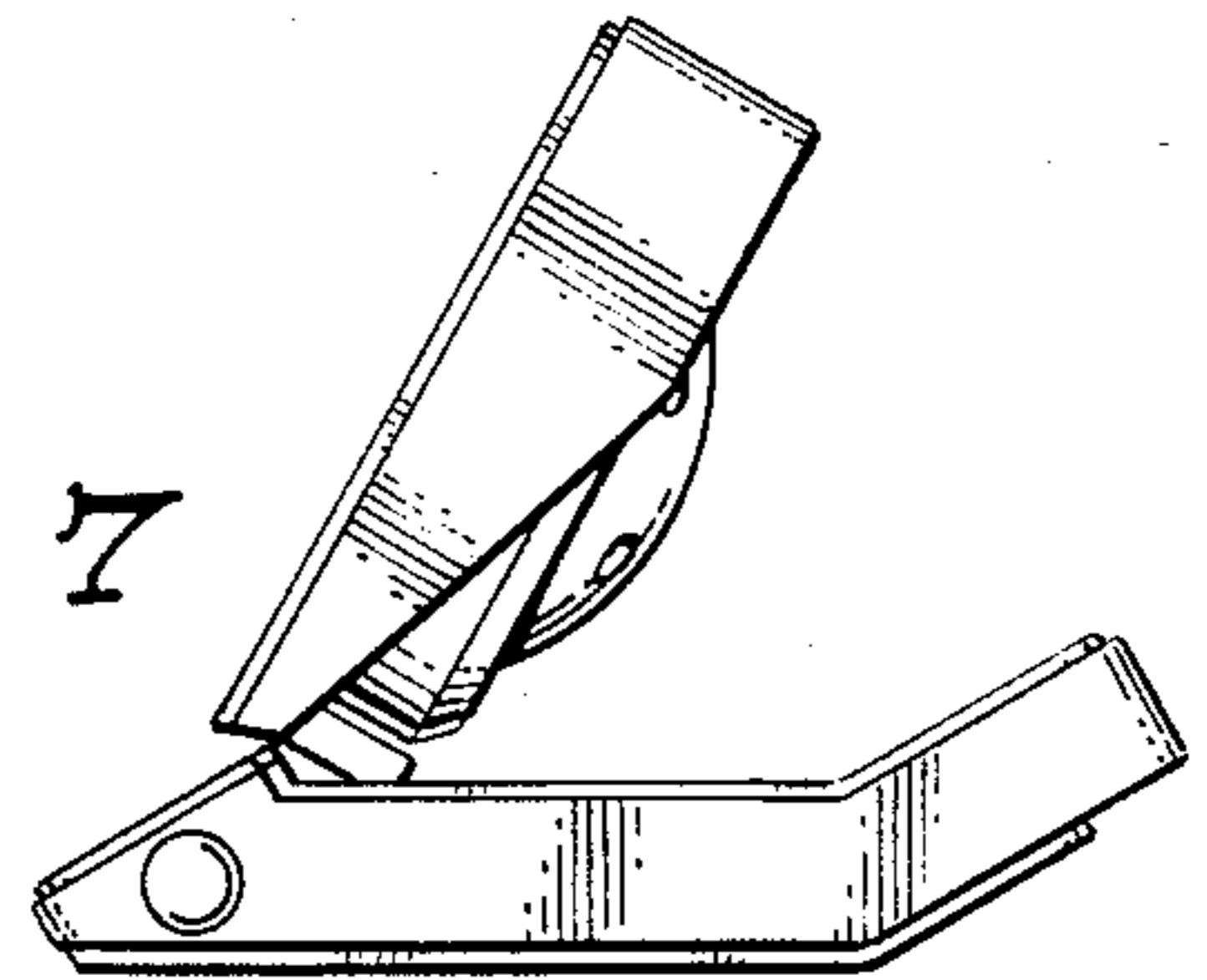


FIG. 8

