

[54] **FASTENER OR THE LIKE**

[75] **Inventor:** Atsushi Takahashi, Yokohama, Japan

[73] **Assignee:** Nifco Inc., Yokohama, Japan

[\*\*] **Term:** 14 Years

[21] **Appl. No.:** 845,366

[22] **Filed:** Mar. 20, 1986

[30] **Foreign Application Priority Data**

Sep. 30, 1985 [JP] Japan ..... 60-41018  
[52] **U.S. Cl.** ..... **D8/382**  
[58] **Field of Search** ..... D8/356, 382, 385, 386;  
411/44, 75-80, 500, 548, 907, 57; 52/511;  
24/297, 703

[56] **References Cited**

**U.S. PATENT DOCUMENTS**

1,452,515 4/1923 Kearney et al. .... 411/77  
4,176,428 12/1979 Kimura ..... 411/57  
4,261,151 4/1981 Ito ..... 52/511

**OTHER PUBLICATIONS**

Stimpson Eyelet Cat. 110-F; ©1967; p. 84; Oblong Eyelet A1081.

*Primary Examiner*—B. J. Bullock  
*Attorney, Agent, or Firm*—Trexler, Bushnell, Giangiorgi & Blackstone, Ltd.

[57] **CLAIM**

The ornamental design for a fastener or the like, as shown and described.

**DESCRIPTION**

FIG. 1 is a top and right front perspective view of a fastener or the like, showing my new design;  
FIG. 2 is a top plan view thereof;  
FIG. 3 is a front elevational view thereof;  
FIG. 4 is a side elevational view taken from the right of FIG. 3;  
FIG. 5 is a bottom plan view thereof; and  
FIG. 6 is a cross-sectional view thereof, the panels being shown in broken lines for illustrative purposes only.

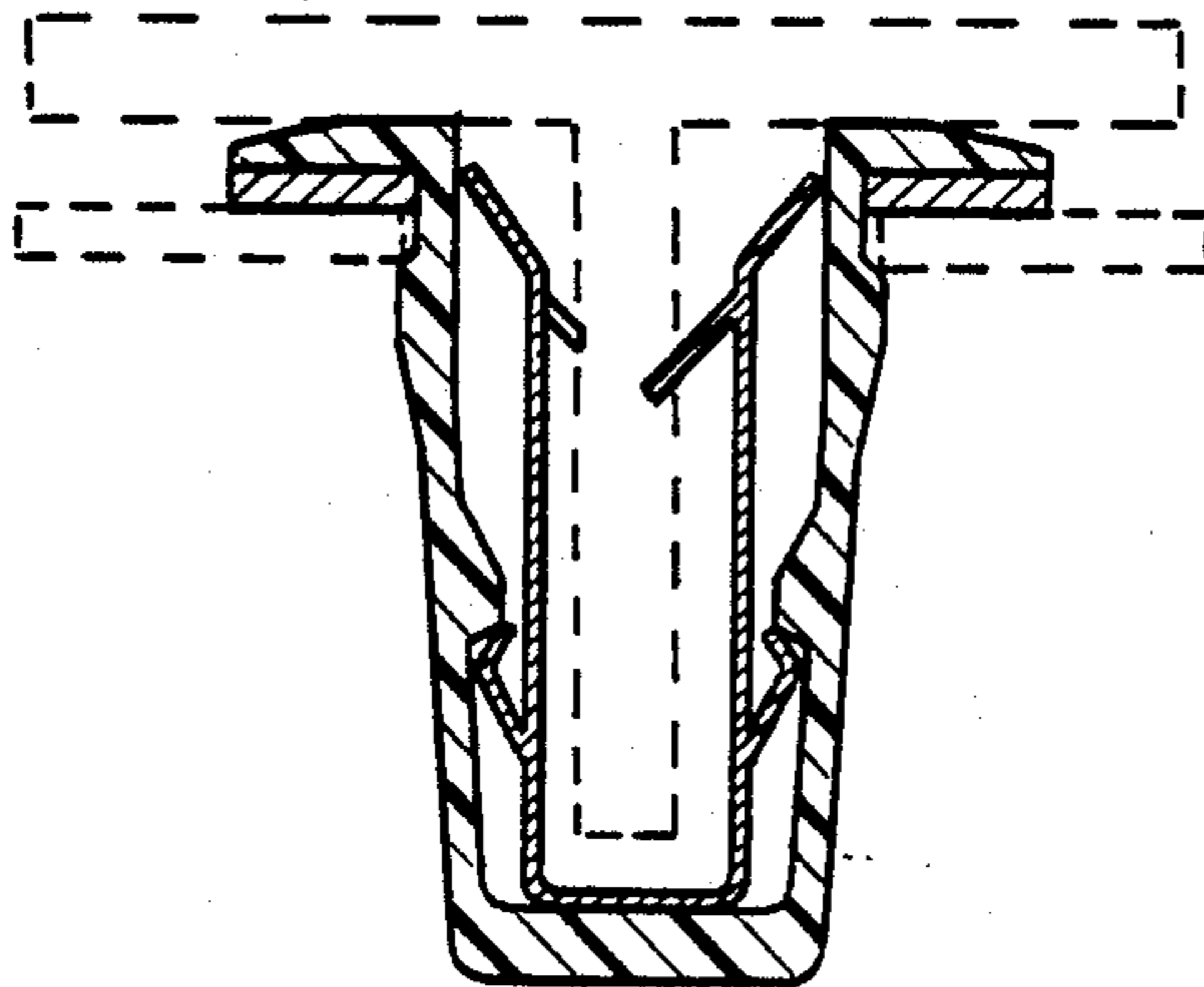
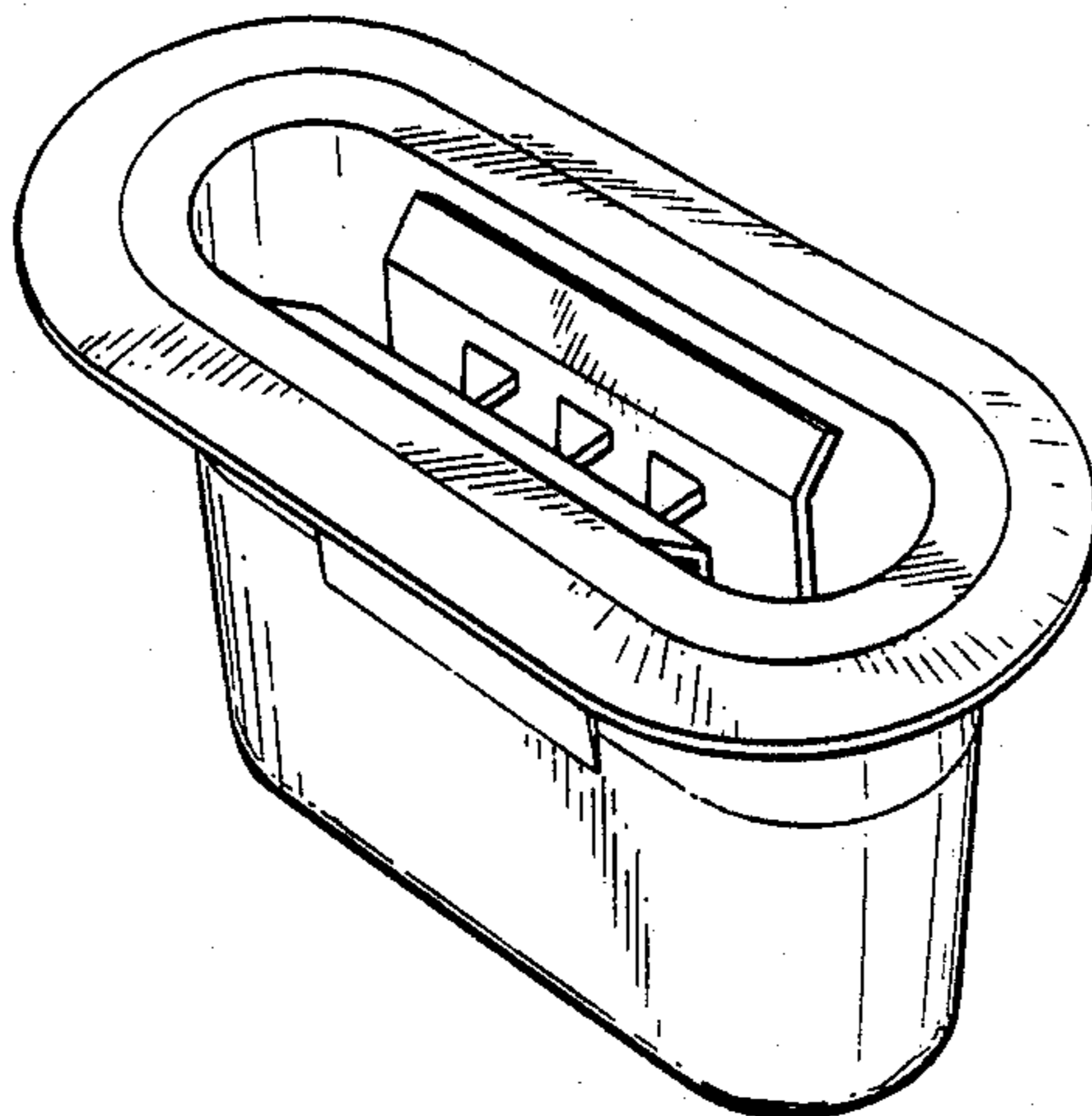


FIG. 1

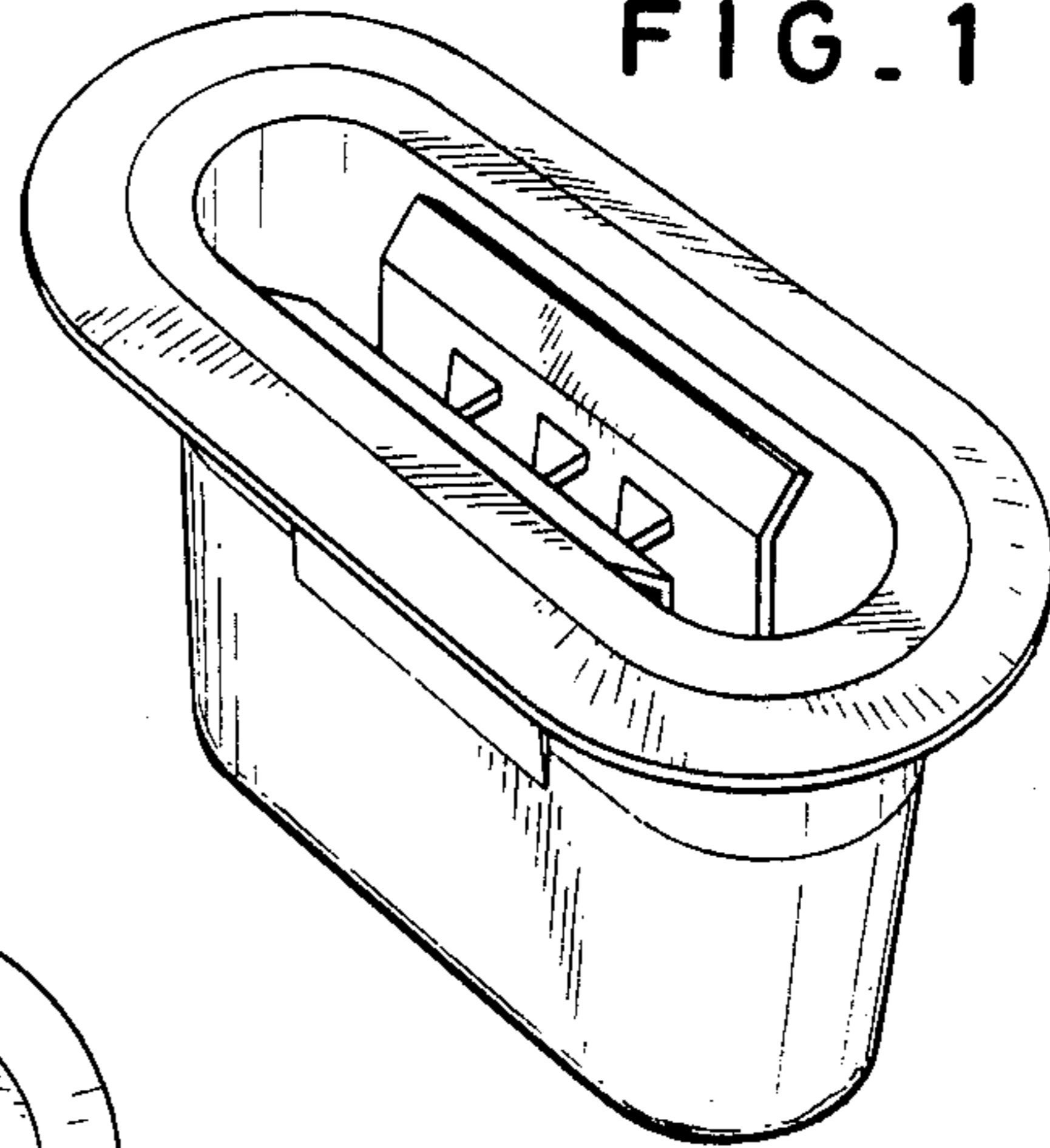


FIG. 2

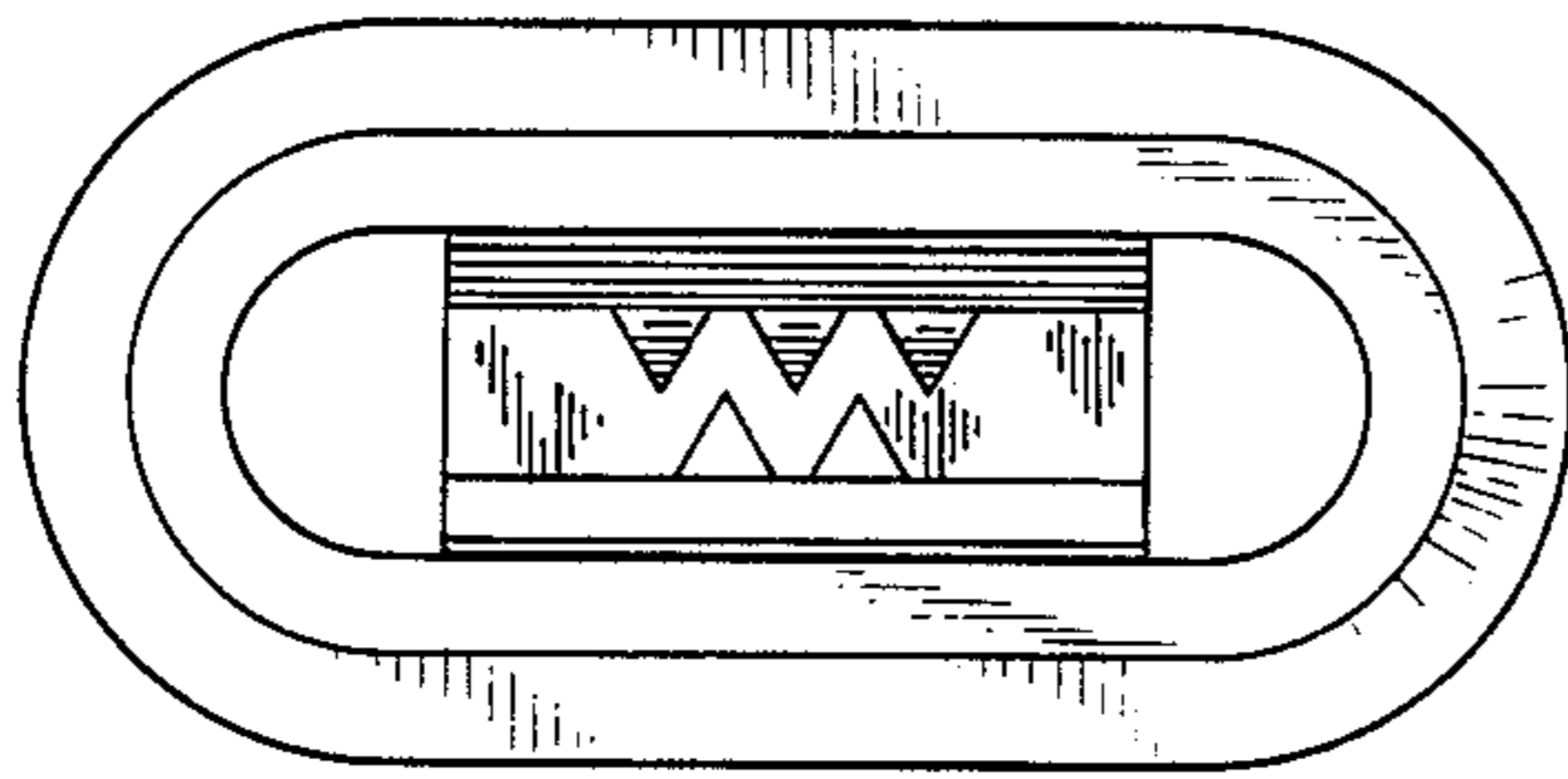


FIG. 4

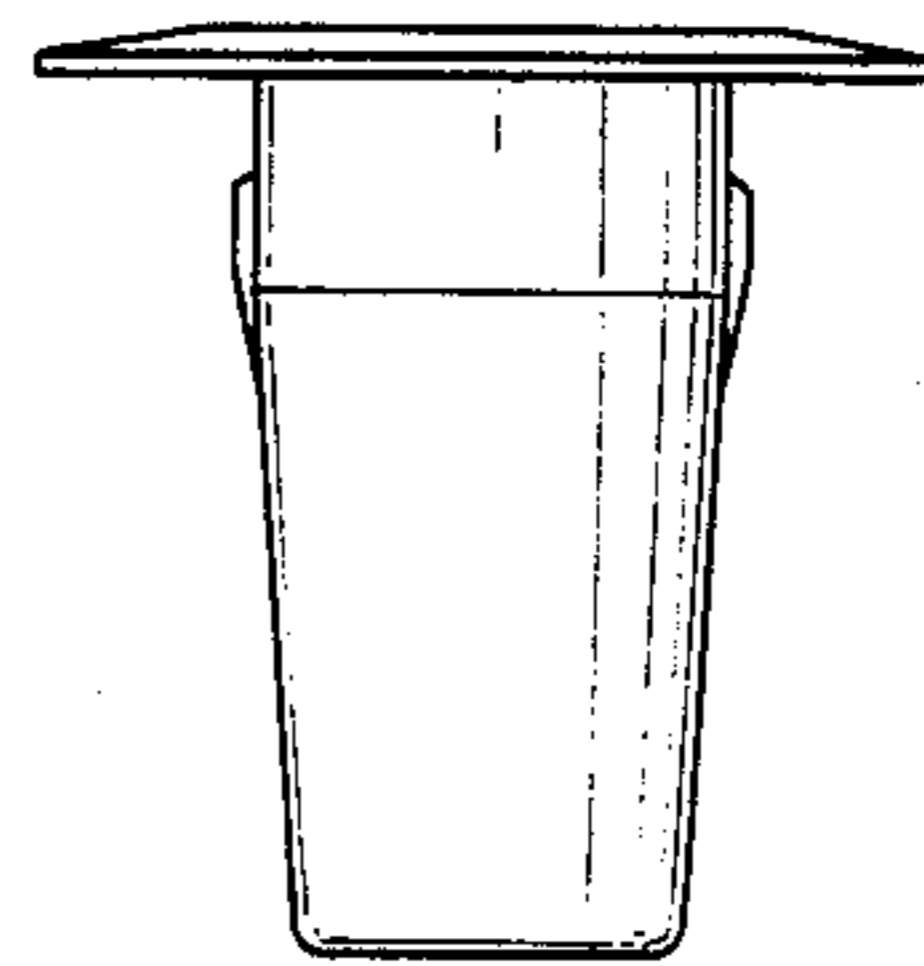


FIG. 3

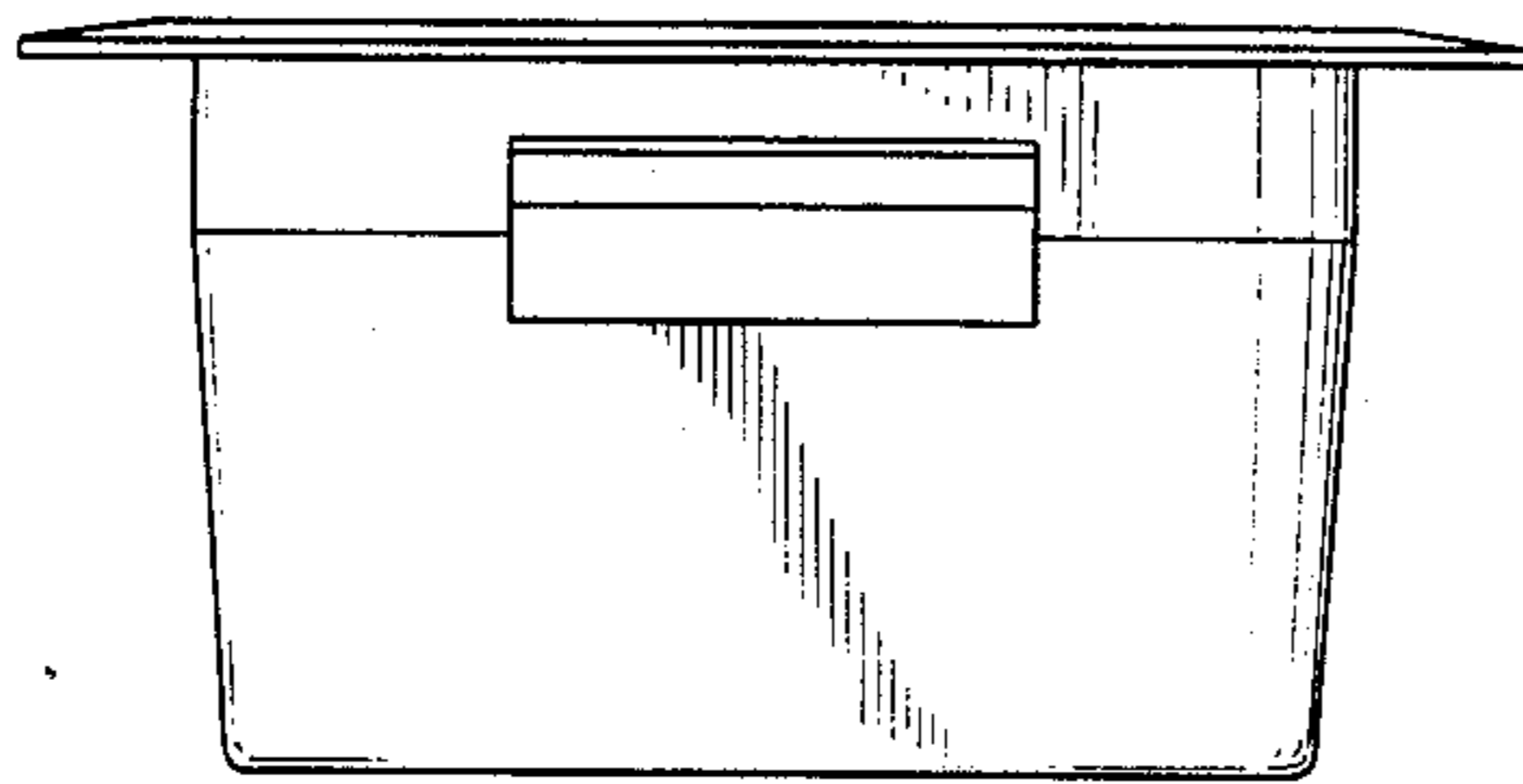


FIG. 6

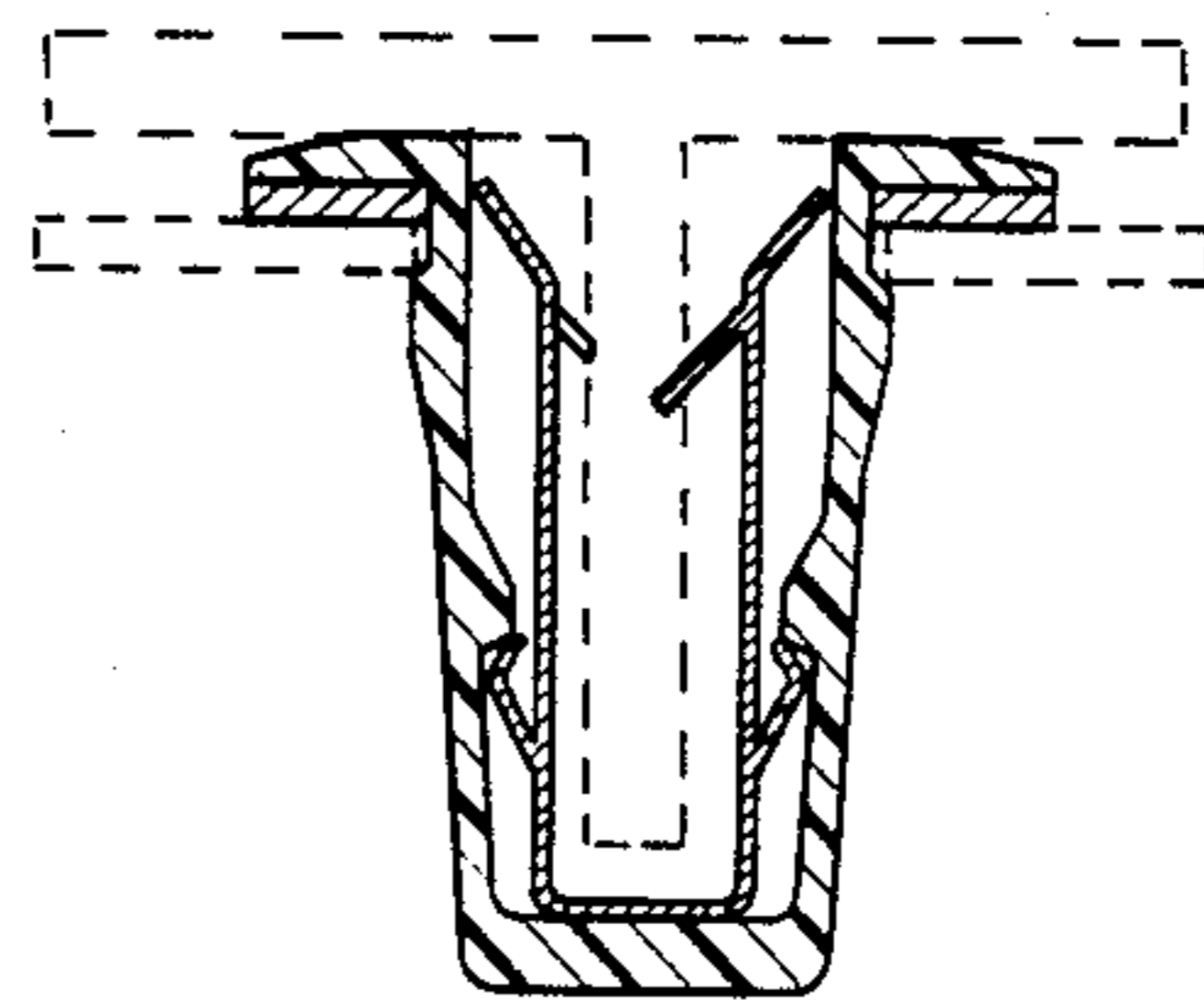


FIG. 5

