

[54] HANDLE

D. 290,578 6/1987 Belaiche et al. .... D8/308

[75] Inventor: Franz W. Jans, Offenbach am Main, Fed. Rep. of Germany

OTHER PUBLICATIONS

Paul Associates Cat.; p. 48; Lever 549.  
Paul Associates Cat.; p. 49; Lever 1097.

[73] Assignee: Jado Bathroom and Hardware Manufacturing Corp., Camarillo, Calif.

Primary Examiner—B. J. Bullock  
Attorney, Agent, or Firm—H. Michael Brucker

[\*\*] Term: 14 Years

[57] CLAIM

[21] Appl. No.: 12,309

The ornamental design for a handle, as shown and described.

[22] Filed: Feb. 9, 1987

[52] U.S. Cl. .... D8/305; D8/308

DESCRIPTION

[58] Field of Search .... D8/300, 305, 307, 308, D8/315-320; 16/110 R, 111 R; 74/523

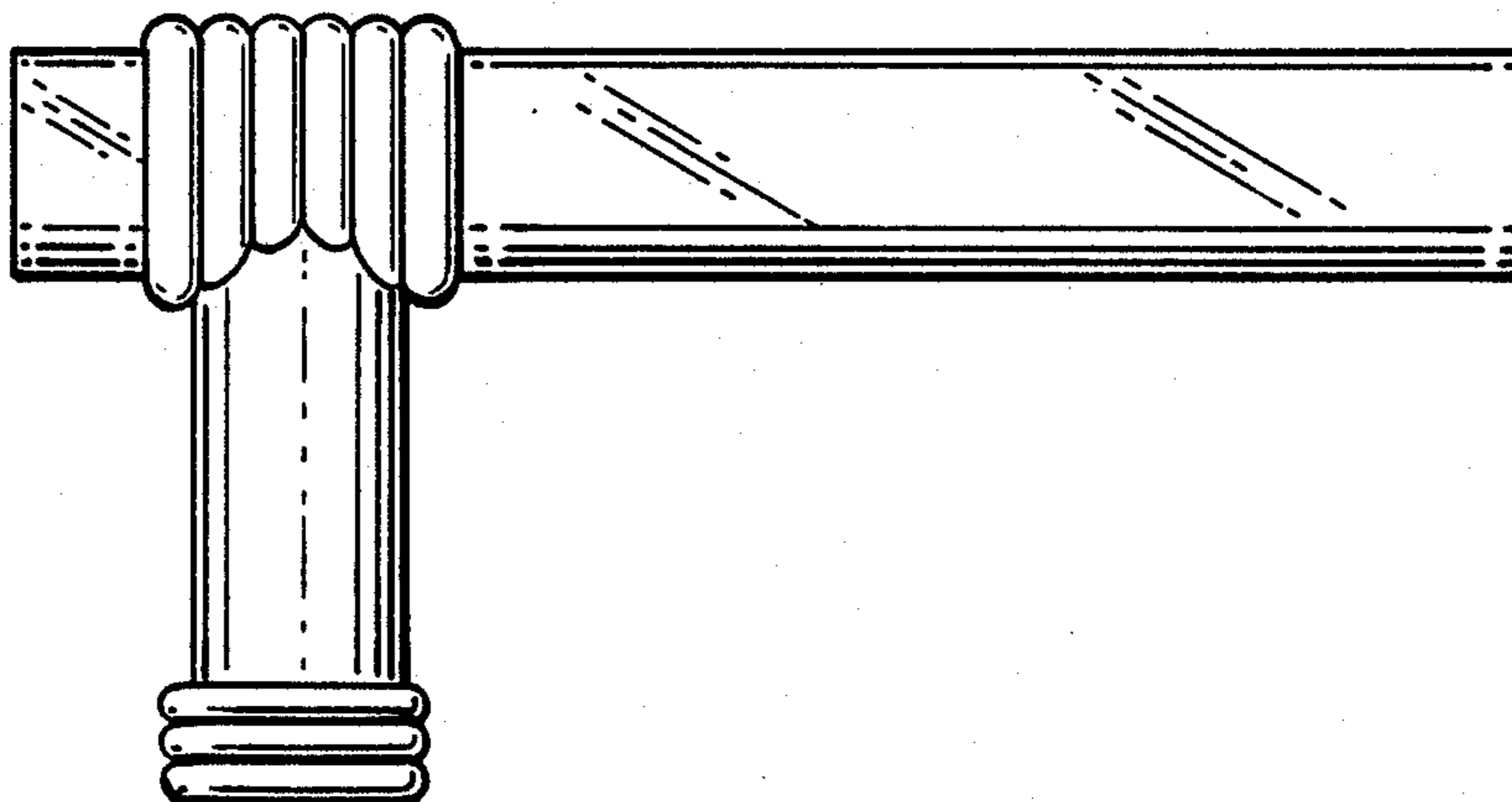
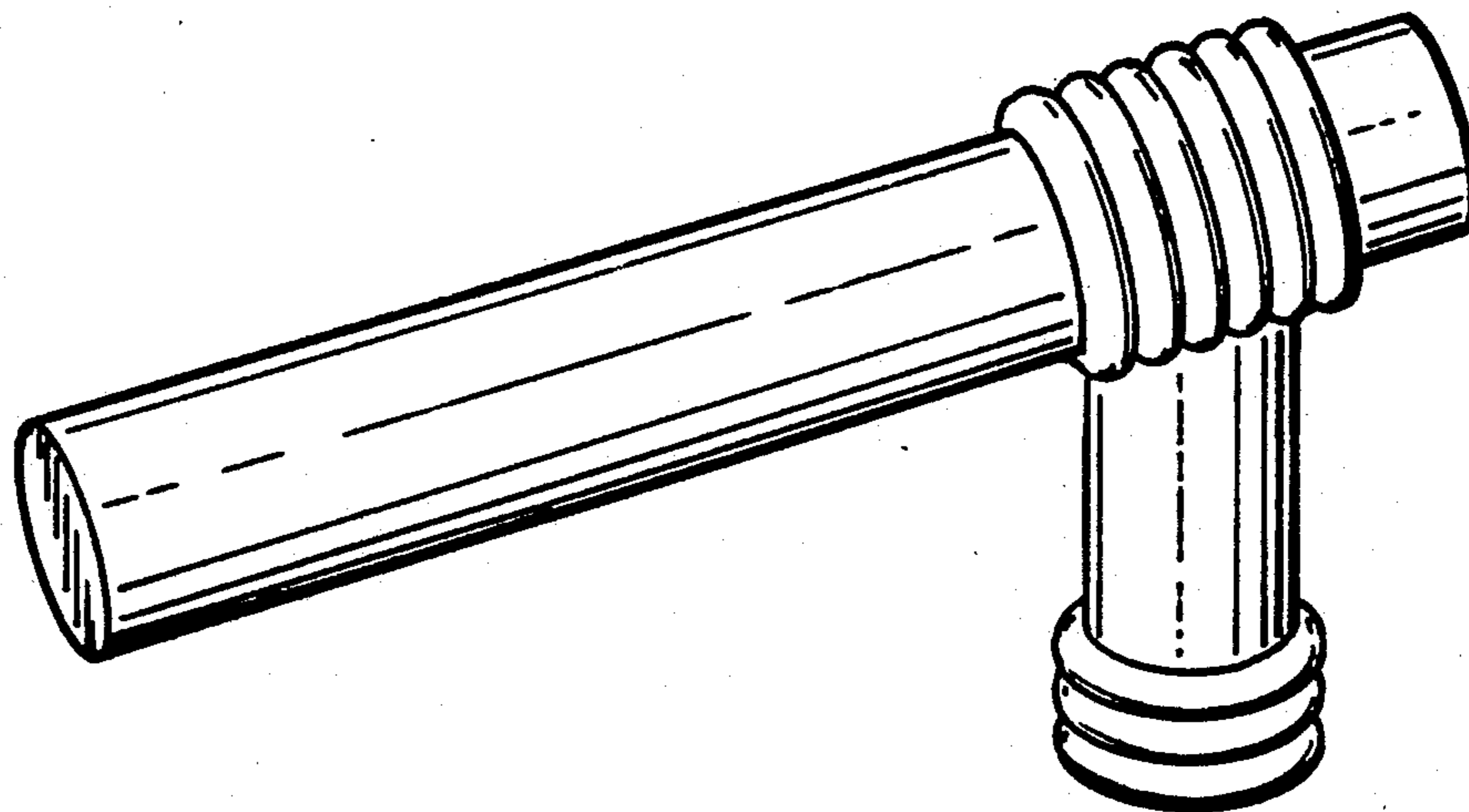
FIG. 1 is a perspective view of a handle showing my new design;

[56] References Cited

U.S. PATENT DOCUMENTS

D. 22,161	1/1893	Wilmot	.....	D8/317
D. 83,157	1/1931	Graff	.....	D8/308
D. 101,658	10/1936	Weber	.....	D8/305
D. 290,577	6/1987	Belaiche et al.	.....	D8/308

FIG. 2 is an enlarged top view;  
FIG. 3 is an enlarged side view;  
FIG. 4 is an enlarged end view;  
FIG. 5 is an enlarged bottom view; and  
FIG. 6 is an enlarged side view of a second embodiment of the design of FIG. 1, the only difference being the use of a transparent material for the cross member.



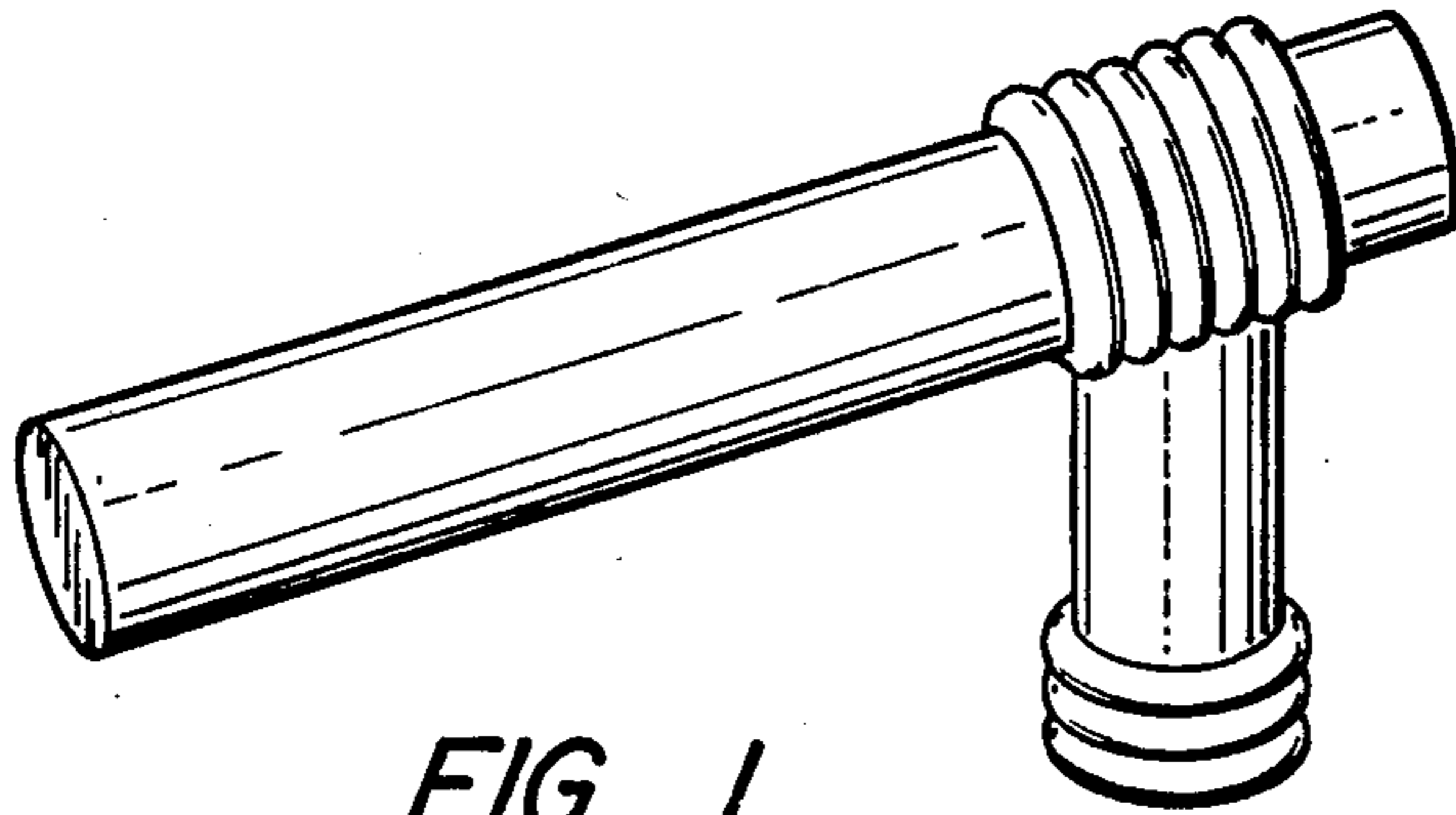


FIG.\_1.

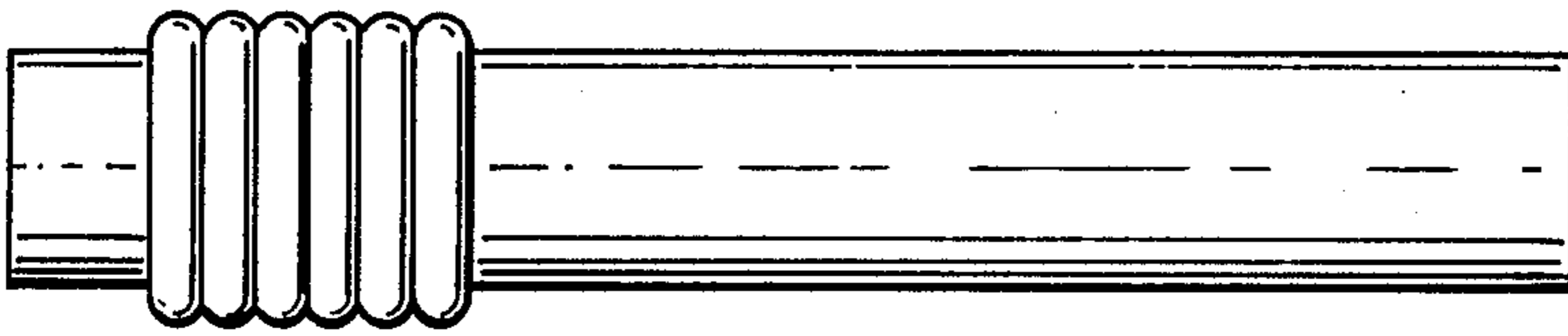


FIG.\_2.

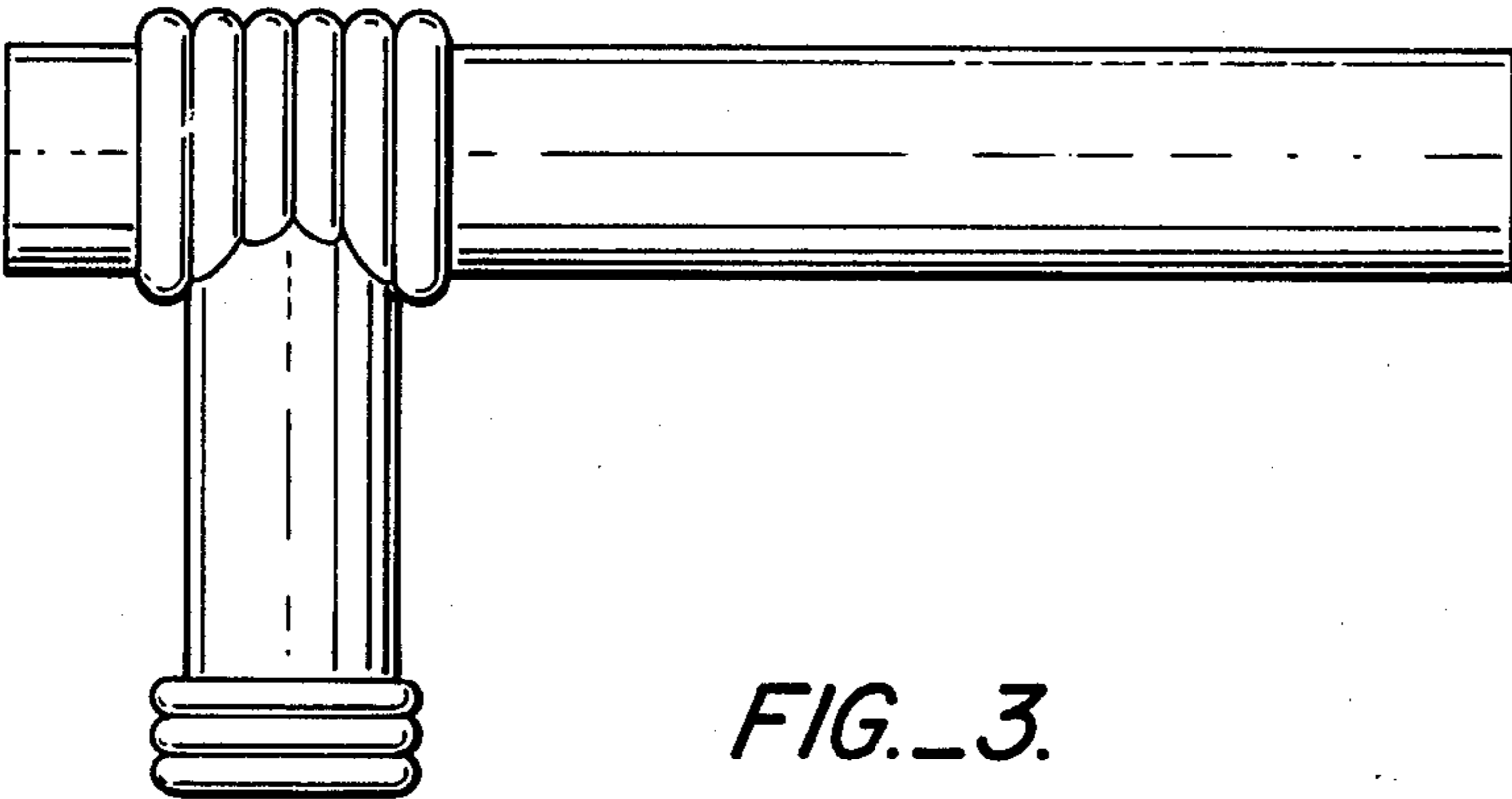


FIG.\_3.

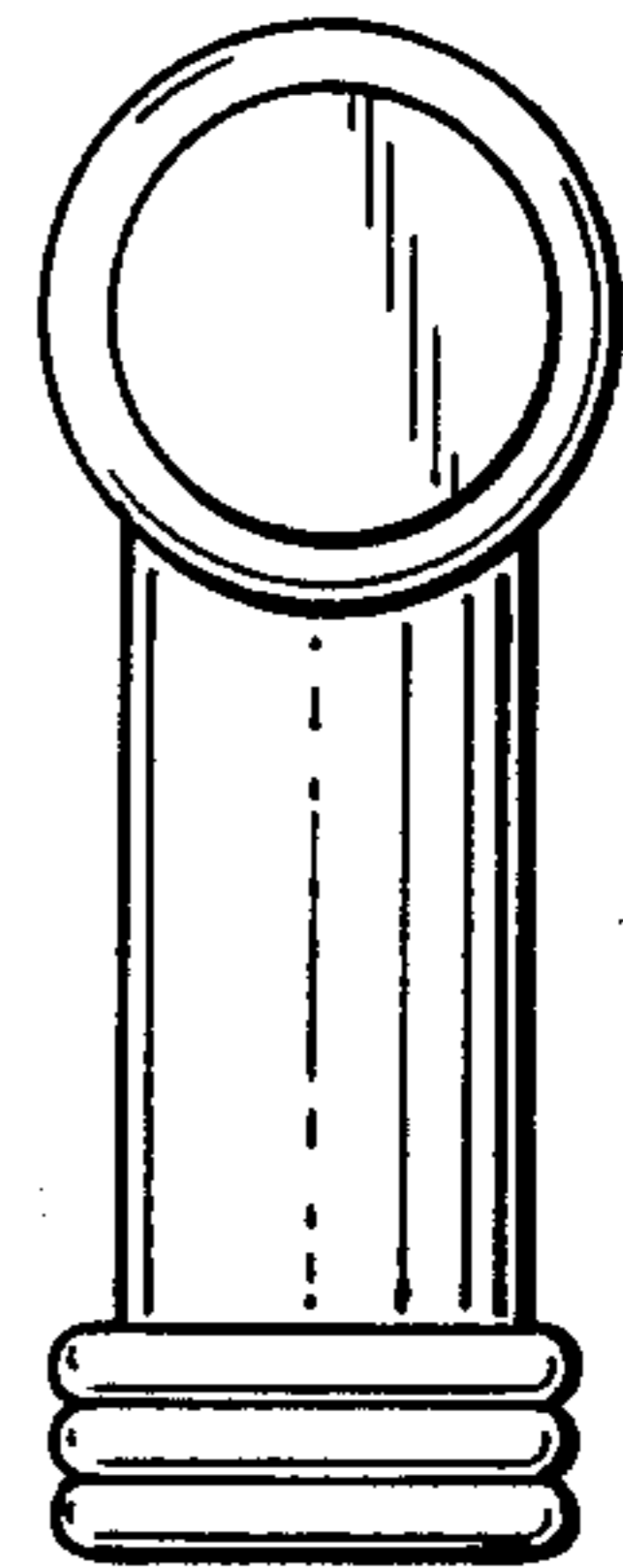


FIG.\_4.

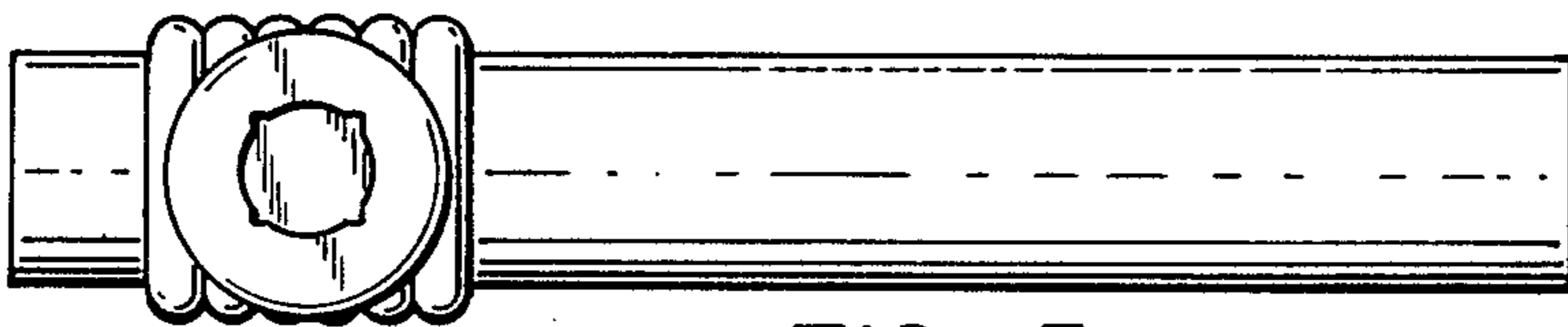


FIG.\_5.

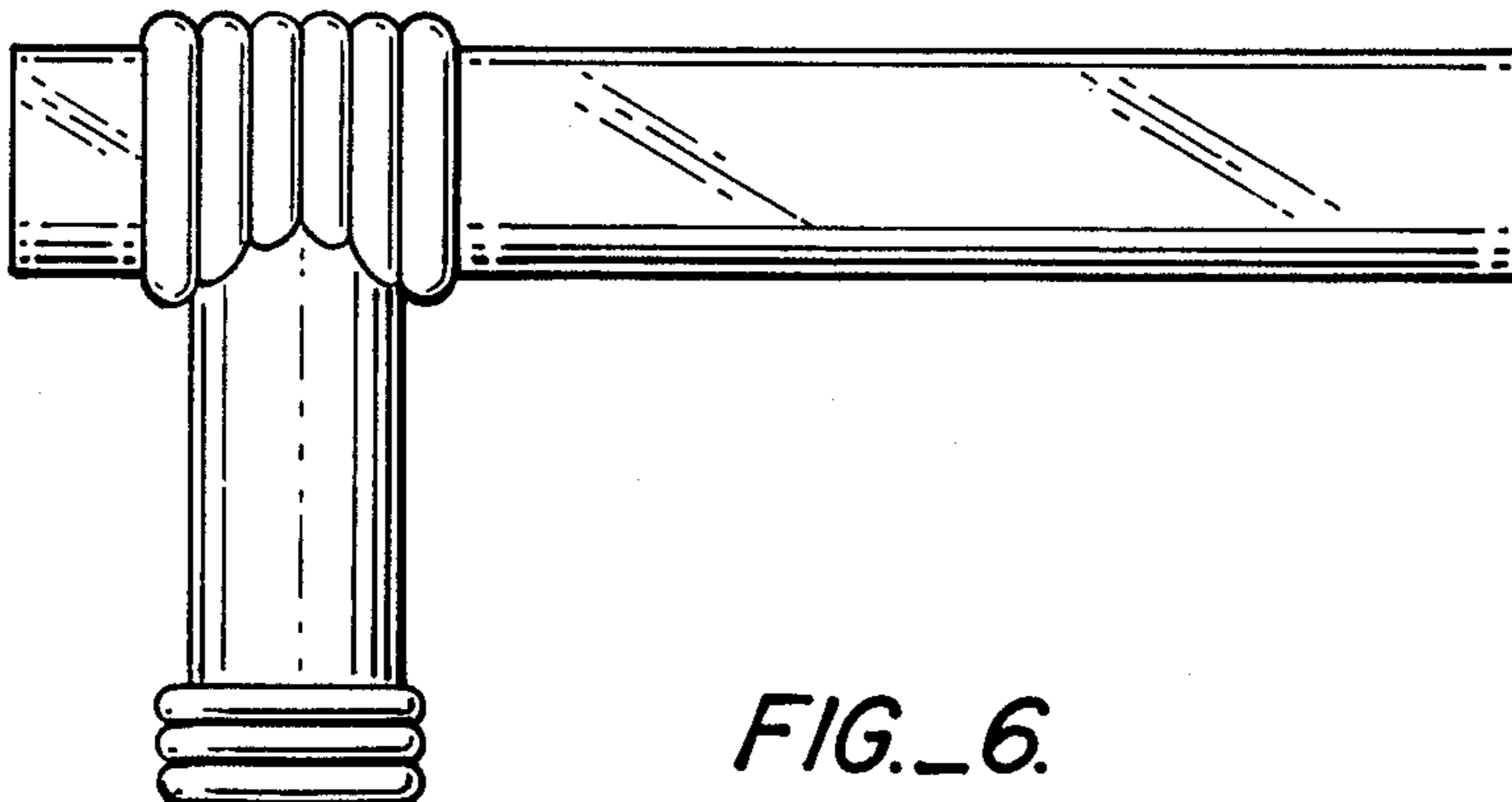


FIG.\_6.