

[54] **FOOD CONTAINER**

[75] **Inventor:** Isao Maki, Tokyo, Japan
[73] **Assignee:** Soko Co., Ltd., Tokyo, Japan
[**] **Term:** 14 Years

[21] **Appl. No.:** 739,197
[22] **Filed:** May 30, 1985

[30] **Foreign Application Priority Data**

Dec. 7, 1984 [JP] Japan 59-50048
[52] **U.S. Cl.** D7/79
[58] **Field of Search** D7/52, 54-57,
D7/79-81, 17, 76; D9/352, 359;
222/142.1-142.9; 215/305

[56] **References Cited**

U.S. PATENT DOCUMENTS

D. 250,314 11/1978 Elliot et al. D7/17 X
D. 278,674 5/1985 Tardif et al. D7/79
2,739,751 3/1956 Bailey 220/23 X

FOREIGN PATENT DOCUMENTS

374122 10/1973 Japan .
378050 12/1973 Japan .
56-2013 6/1981 Japan .

OTHER PUBLICATIONS

Country Gourmet, 1975, p. 90, Pate Jar, upper left corner.

Primary Examiner—Bernard Ansher
Assistant Examiner—Terry Pfeffer
Attorney, Agent, or Firm—Parkhurst, Oliff & Berridge

[57] **CLAIM**

The ornamental design for food container, as shown.

DESCRIPTION

FIG. 1 is a perspective view of a food container showing my new design;
FIG. 2 is a right side elevational view thereof;
FIG. 3 is a cross-sectional view taken along line 3—3 of FIG. 1; and
FIG. 4 is a bottom plan view thereof.

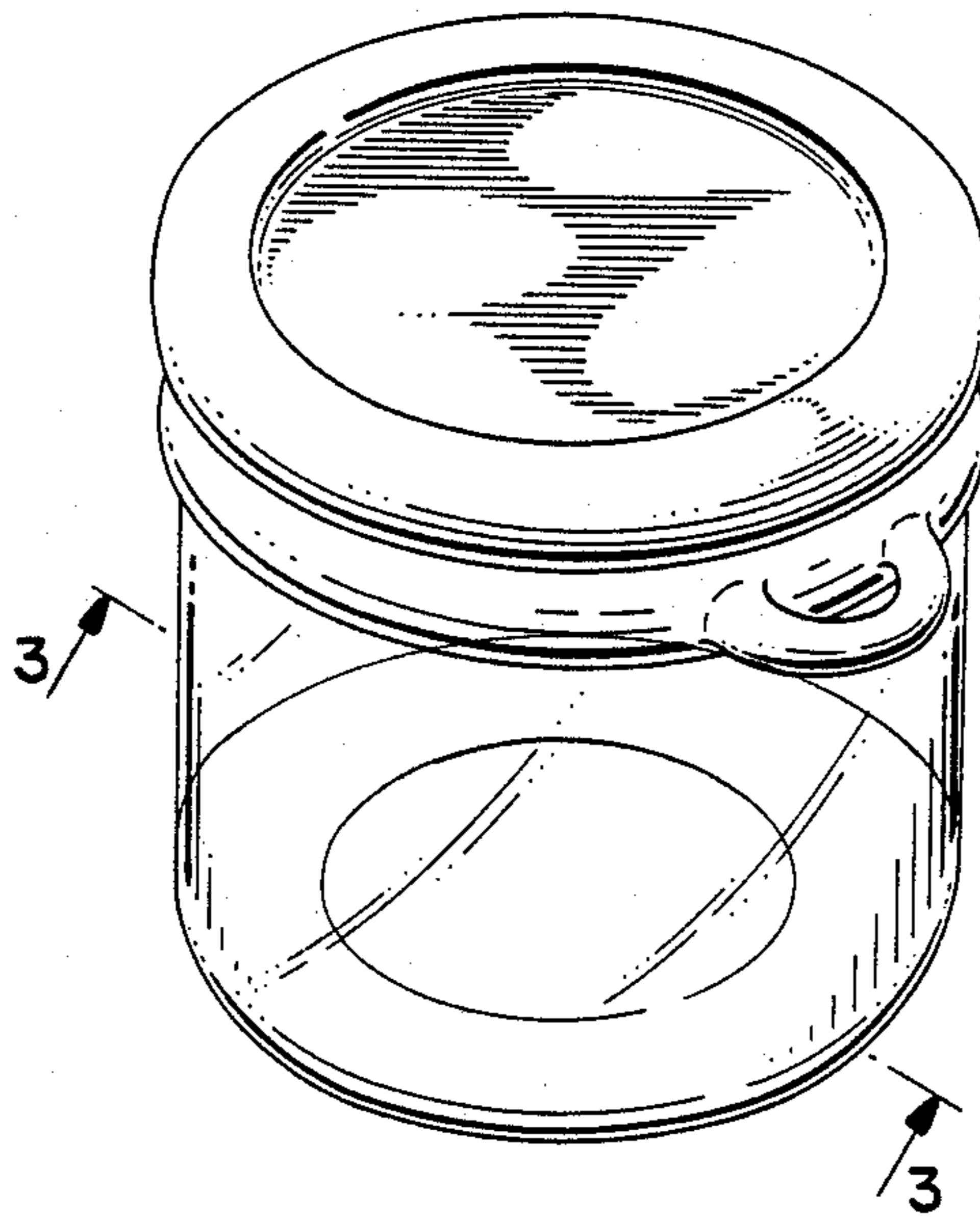


FIG. 1

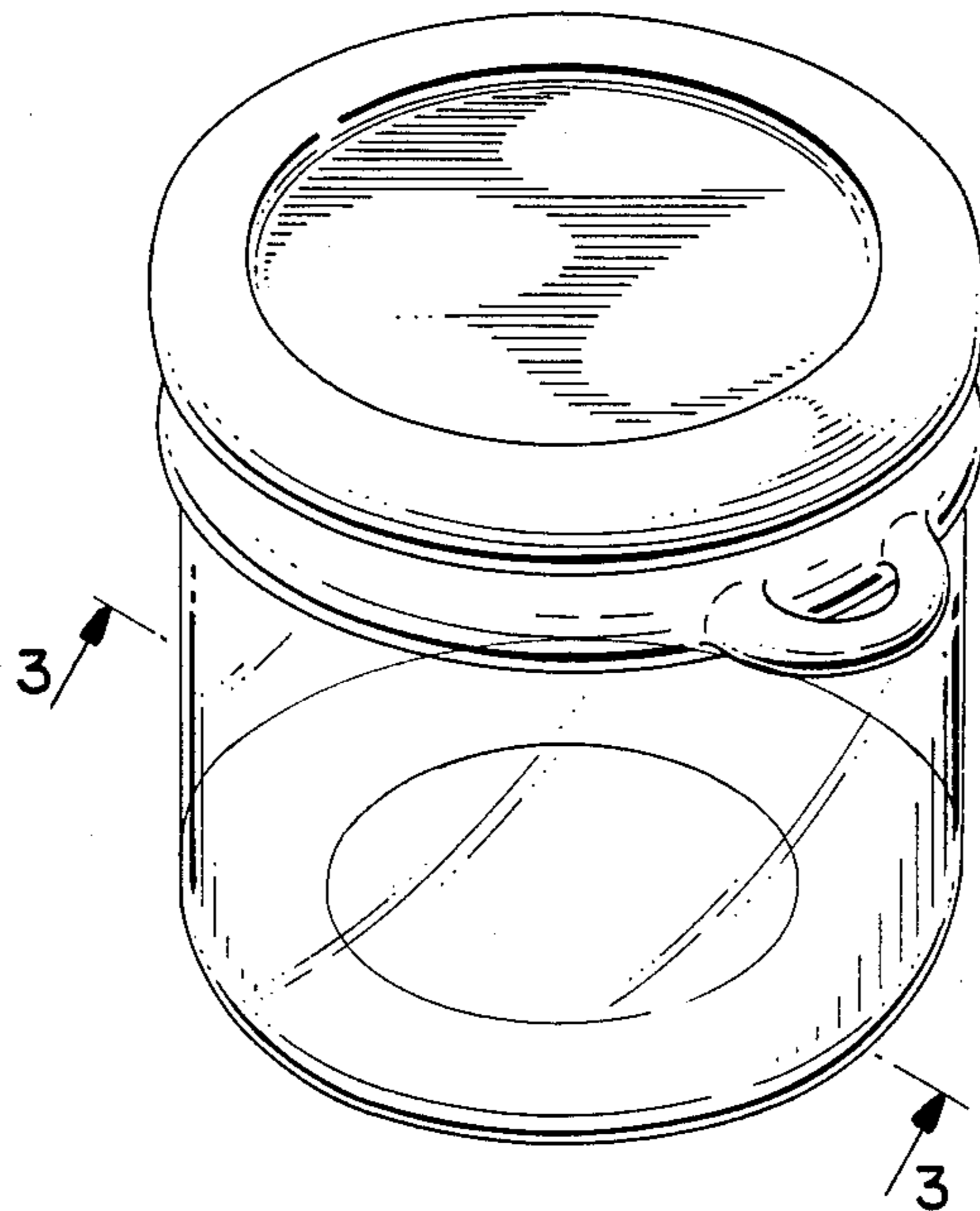


FIG. 2

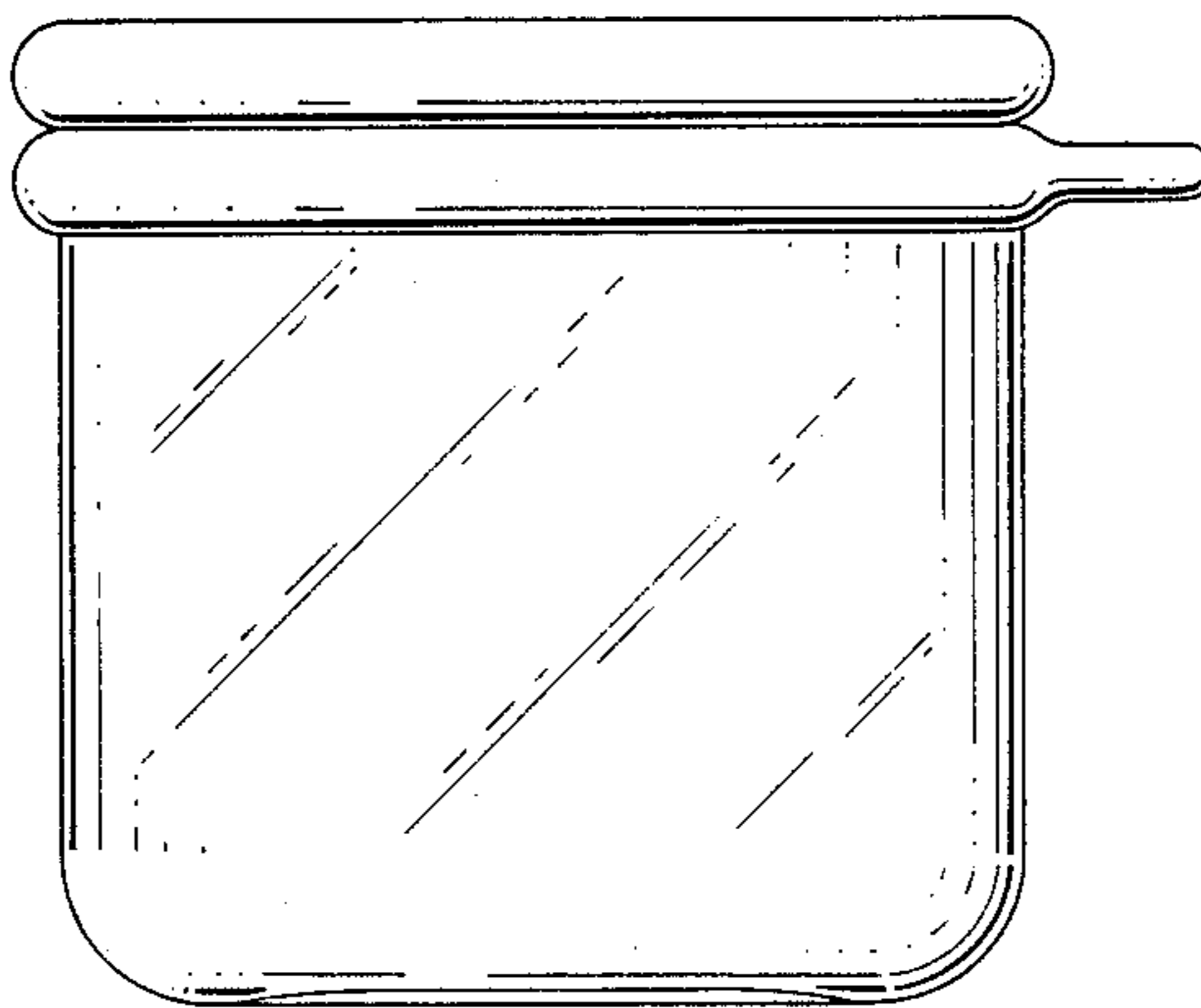


FIG. 3

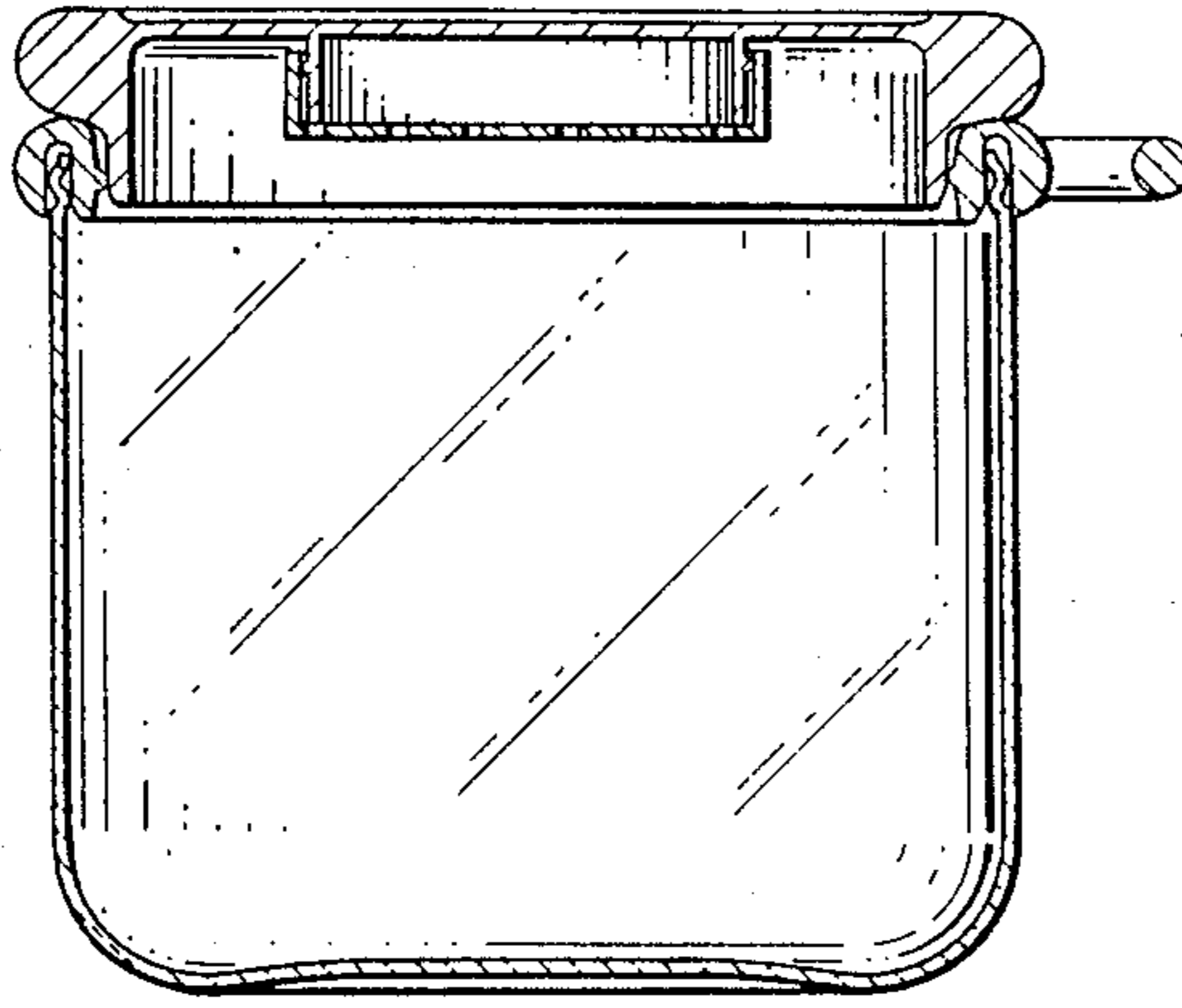


FIG. 4

