

[54] **COMBINED TOOTHBRUSH AND TUMBLER HOLDER**

[75] Inventors: Peter S. Fayerman, Bryn Mawr; Leslie A. Meck, Blandan, both of Pa.

[73] Assignee: Baldwin Hardware Corporation, Reading, Pa.

[**] Term: 14 Years

[21] Appl. No.: 789,169

[22] Filed: Oct. 18, 1985

[52] U.S. Cl. D6/531; D6/534; D6/535

[58] Field of Search D6/567, 572, 574, 531, D6/534, 535; D8/352, 381; 248/309 R, 311.2, 312, 110; 211/13, 60.1, 65, 87, 90

[56] **References Cited**

U.S. PATENT DOCUMENTS

- D. 212,079 8/1968 Algoren D8/352
- D. 262,922 2/1982 Fleischmann et al. D6/531
- D. 272,589 2/1984 Shames et al. D6/531

OTHER PUBLICATIONS

HEWI Catalog; 1/1982; p. 103.32a; Back Plate 548 GS (bottom of page).

Auburn Brass Georgian Manor Collection; 7/1/83; p. 3; Soap Dish 1014.

One Page from Auburn Brass Brochure, Tumbler Holder #1285 (undated).

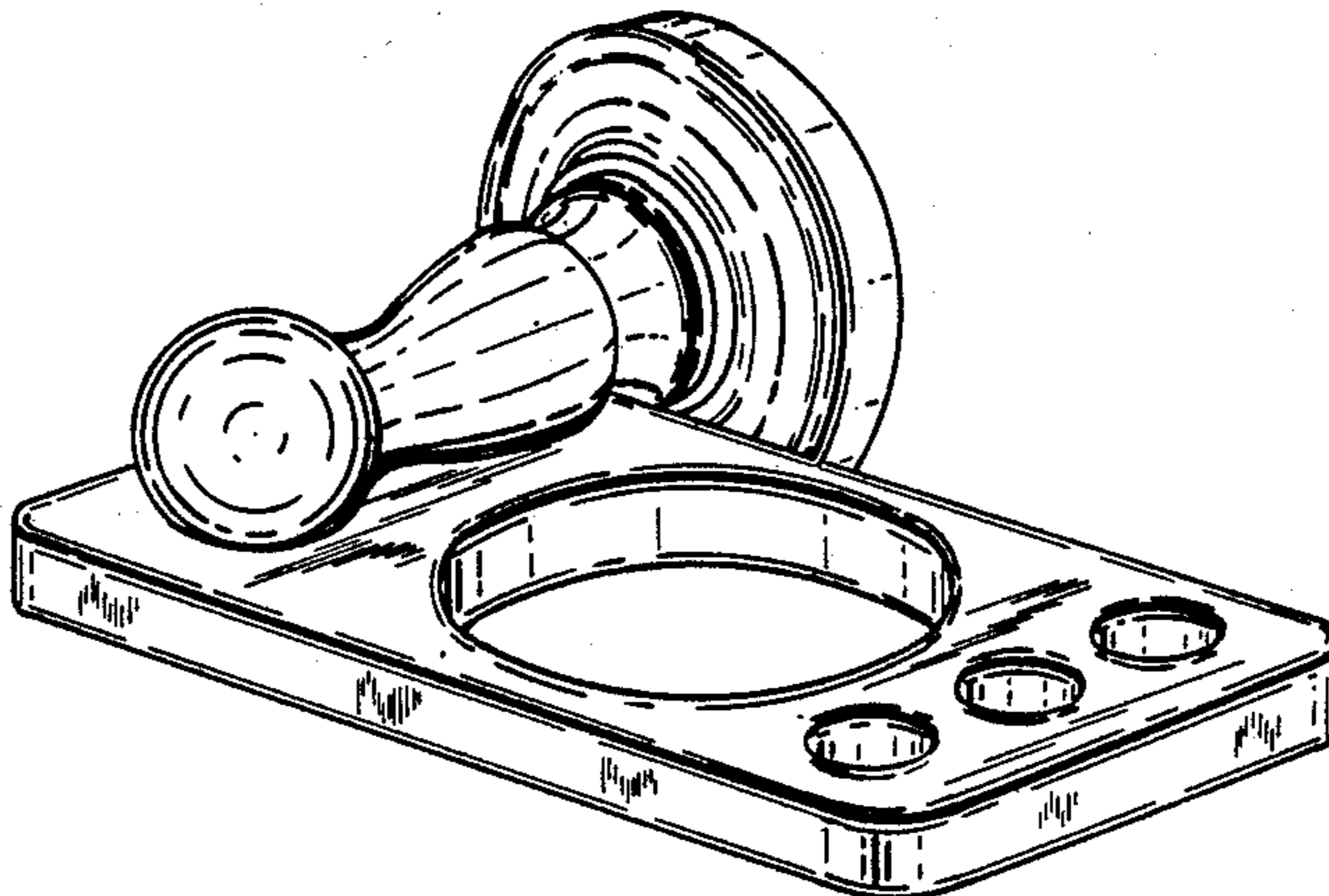
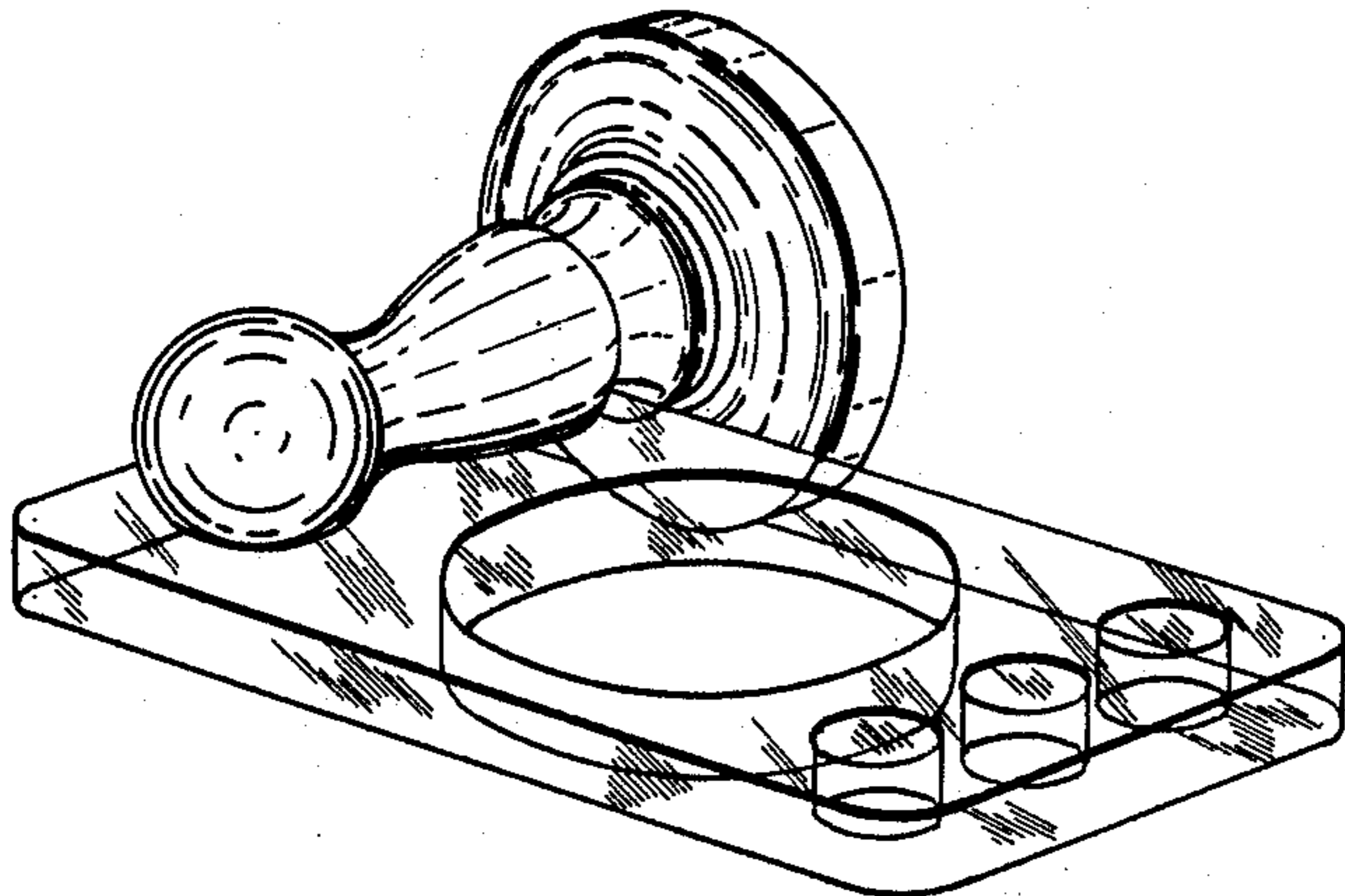
Primary Examiner—B. J. Bullock
Attorney, Agent, or Firm—Steven L. Permut; Malcolm L. Sutherland

[57] **CLAIM**

The ornamental design for a combined toothbrush and tumbler holder, as shown and described.

DESCRIPTION

FIG. 1 is a perspective view of a combined toothbrush and tumbler holder showing our new design; FIG. 2 is an enlarged top plan view thereof; FIG. 3 is an enlarged front elevational view thereof; FIG. 4 is an enlarged right side elevational view thereof; FIG. 5 is an enlarged bottom plan view thereof; FIG. 6 is a perspective view of a second embodiment of the design of FIG. 1; FIG. 7 is an enlarged top plan view of FIG. 6; FIG. 8 is an enlarged front elevational view of FIG. 6; FIG. 9 is an enlarged right side elevational view of FIG. 6, the left side being a mirror image; FIG. 10 is an enlarged bottom plan view of FIG. 6.



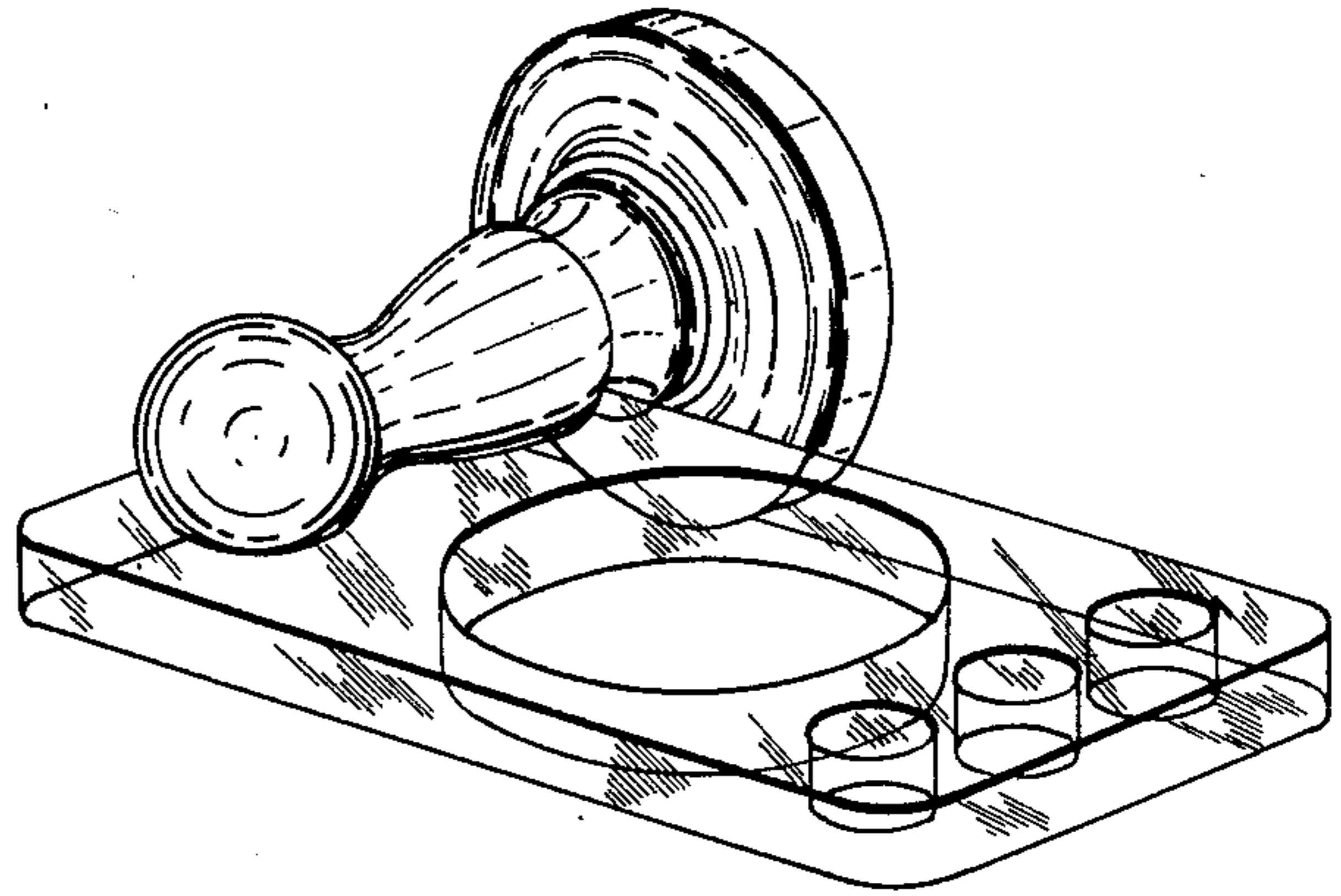


Fig. 1.

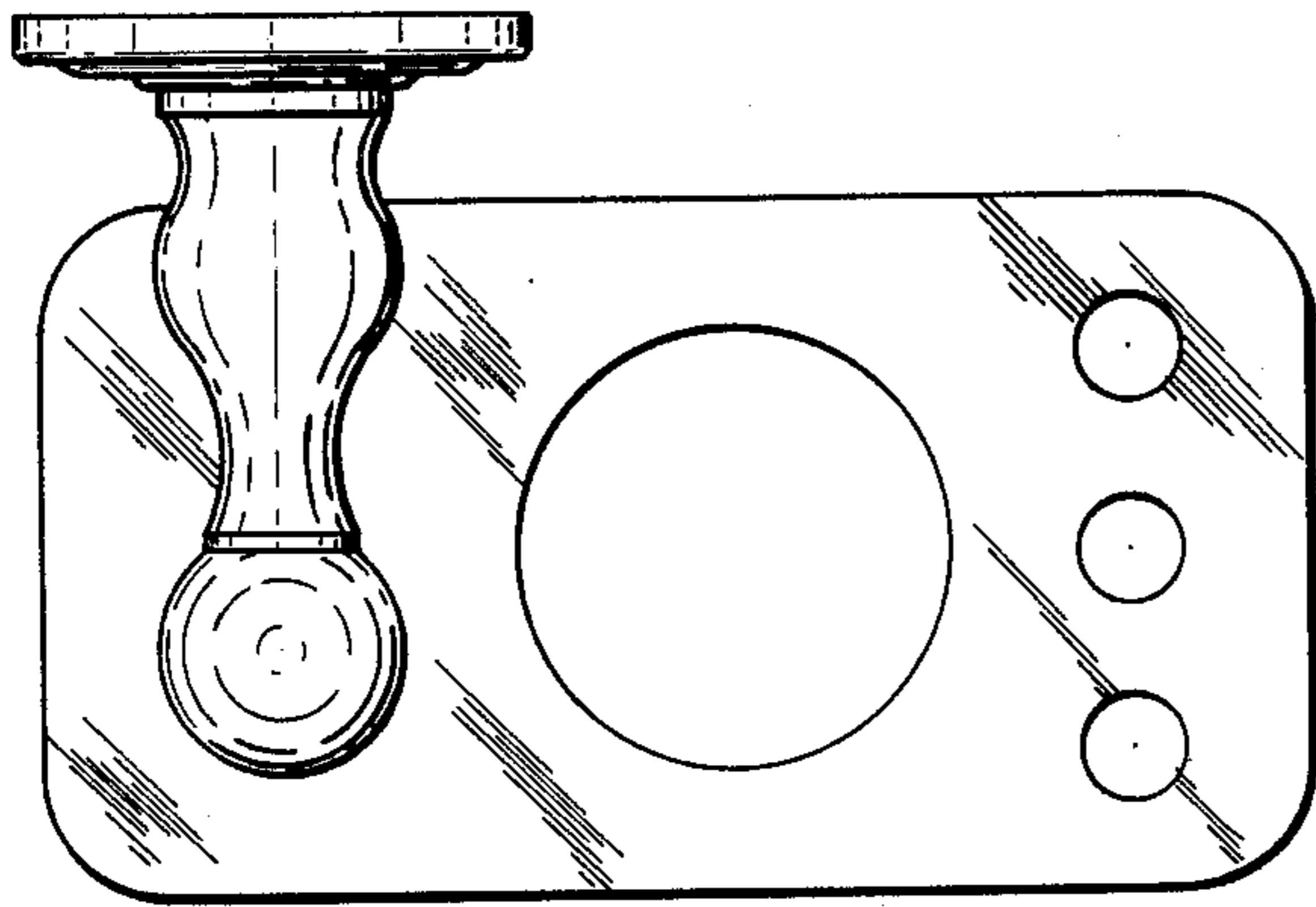


Fig. 2.

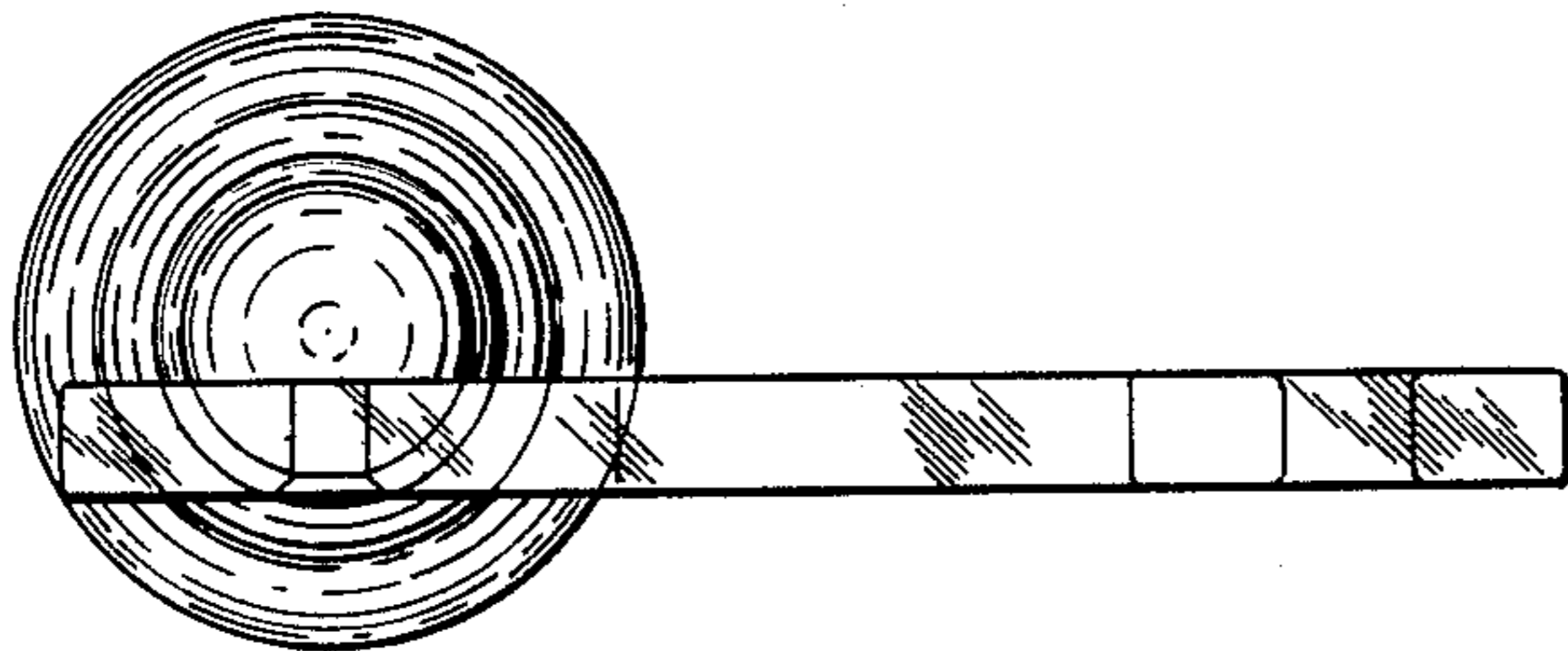


Fig. 3.

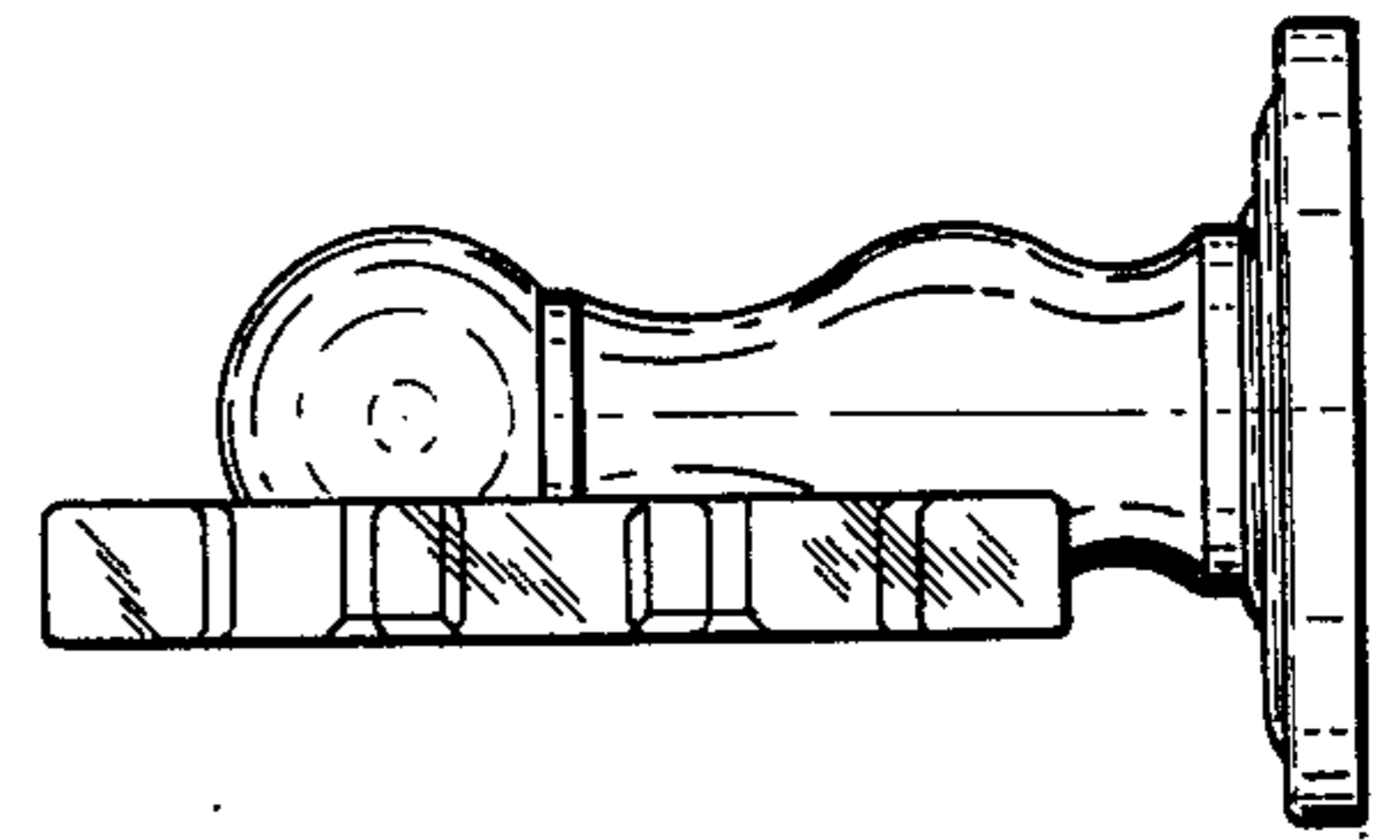


Fig. 4.

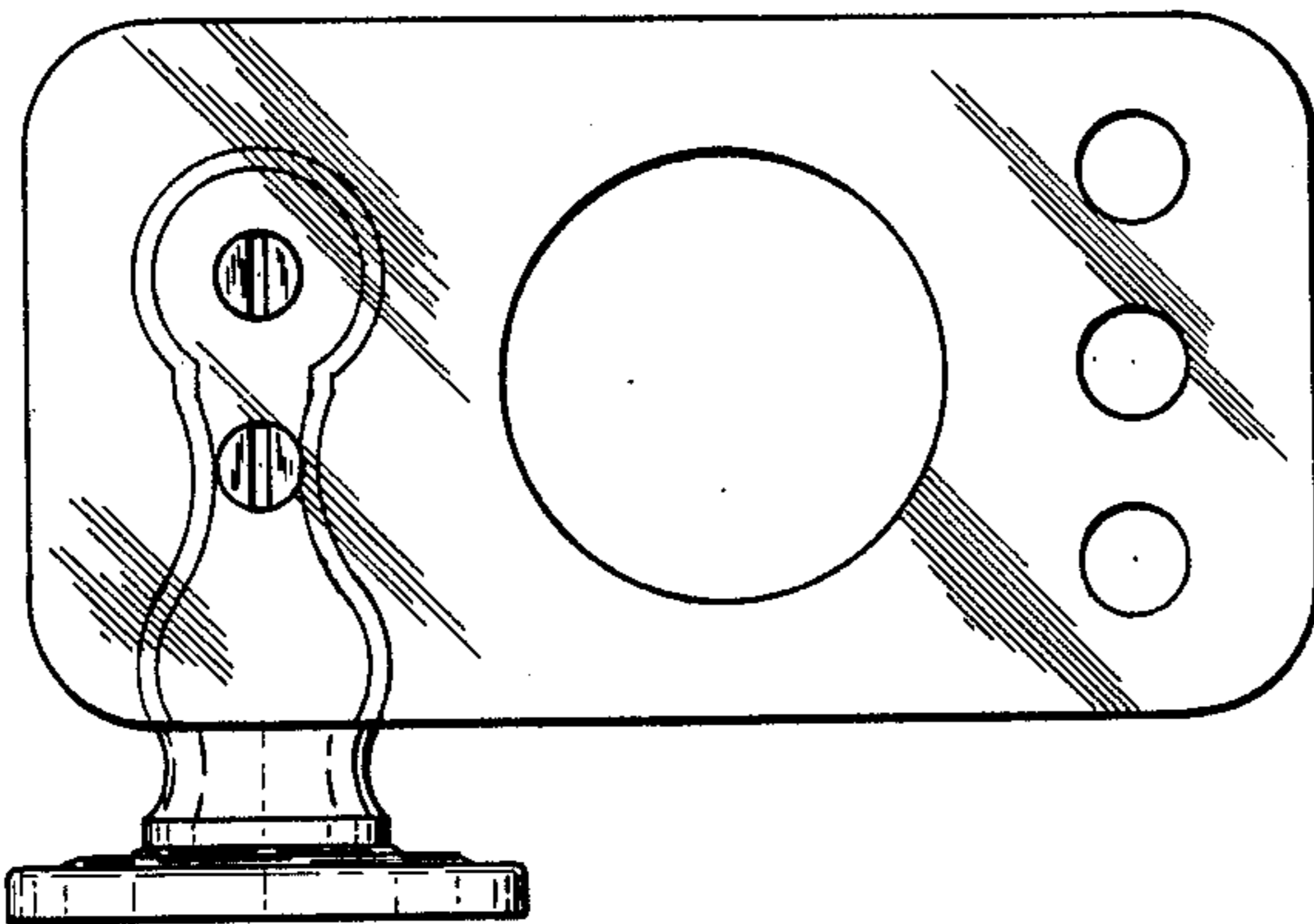


Fig. 5.

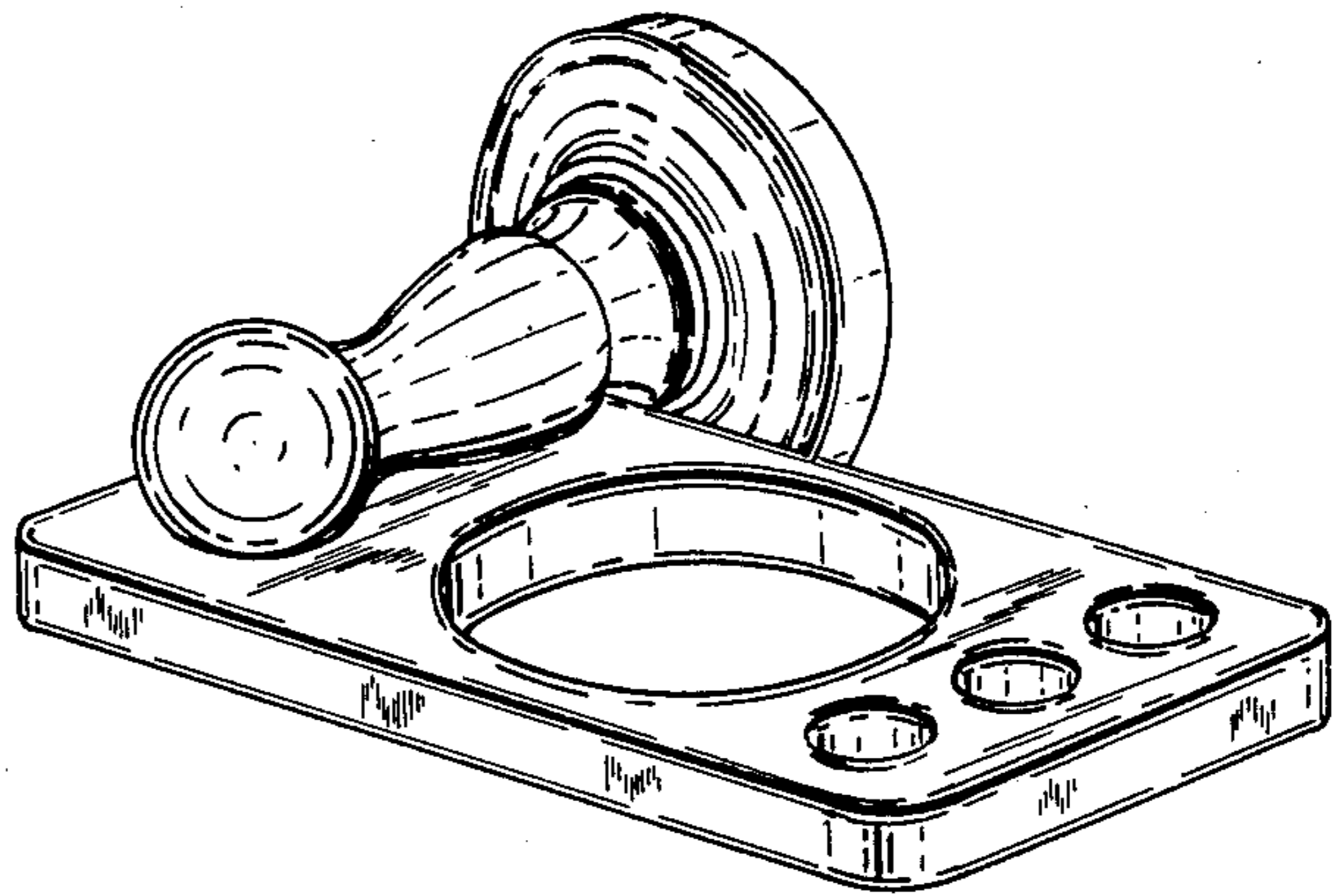


FIG. 6.

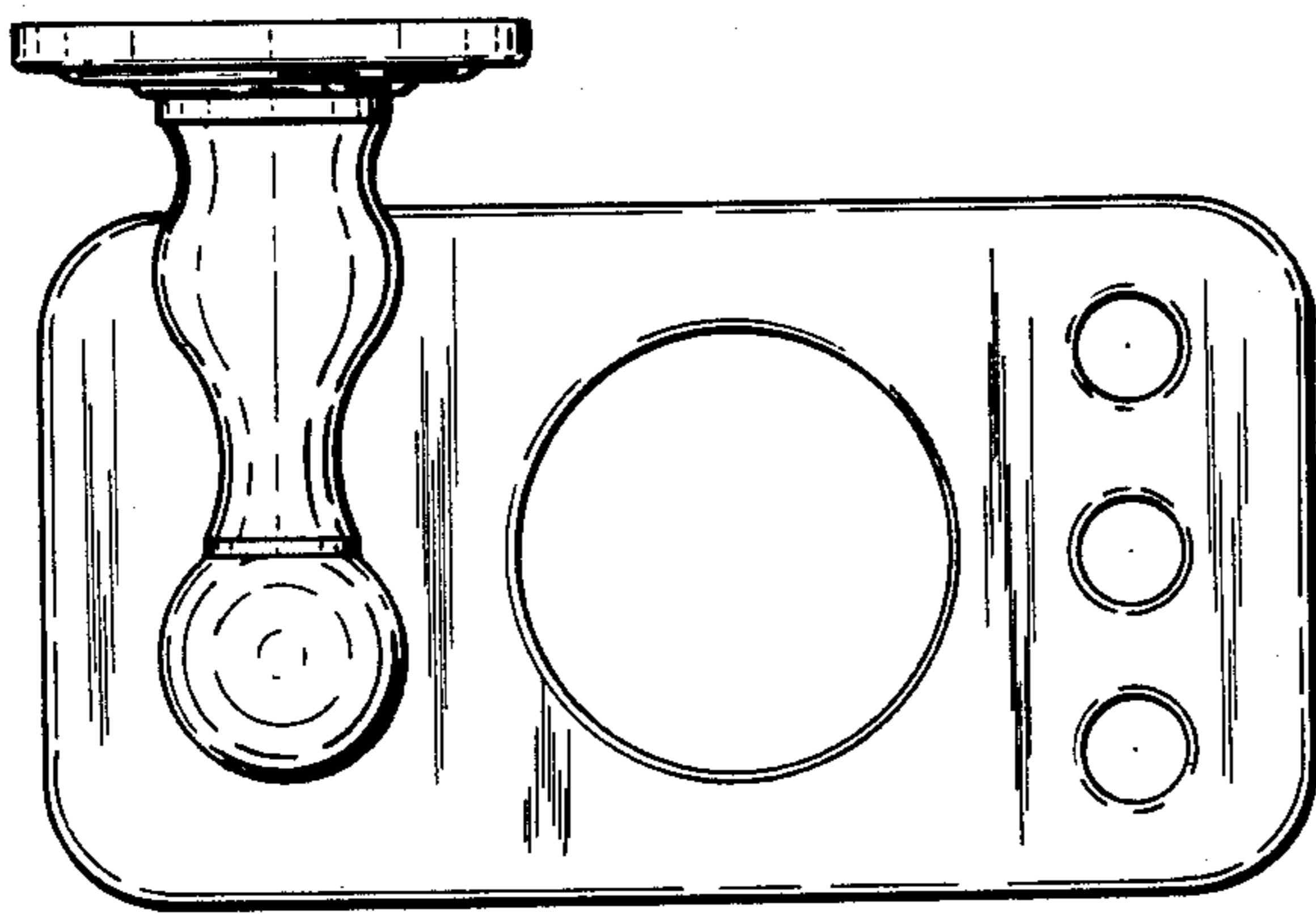


FIG. 7.

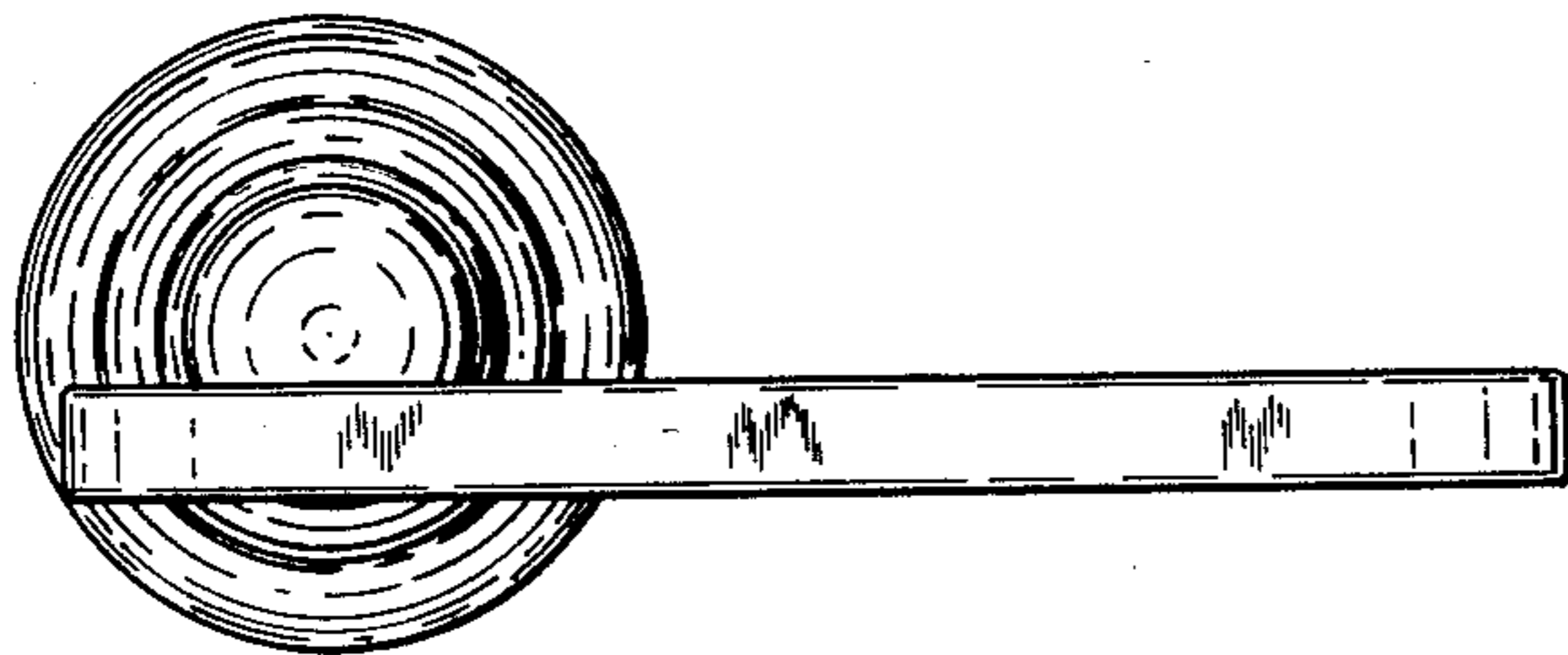


FIG. 8.

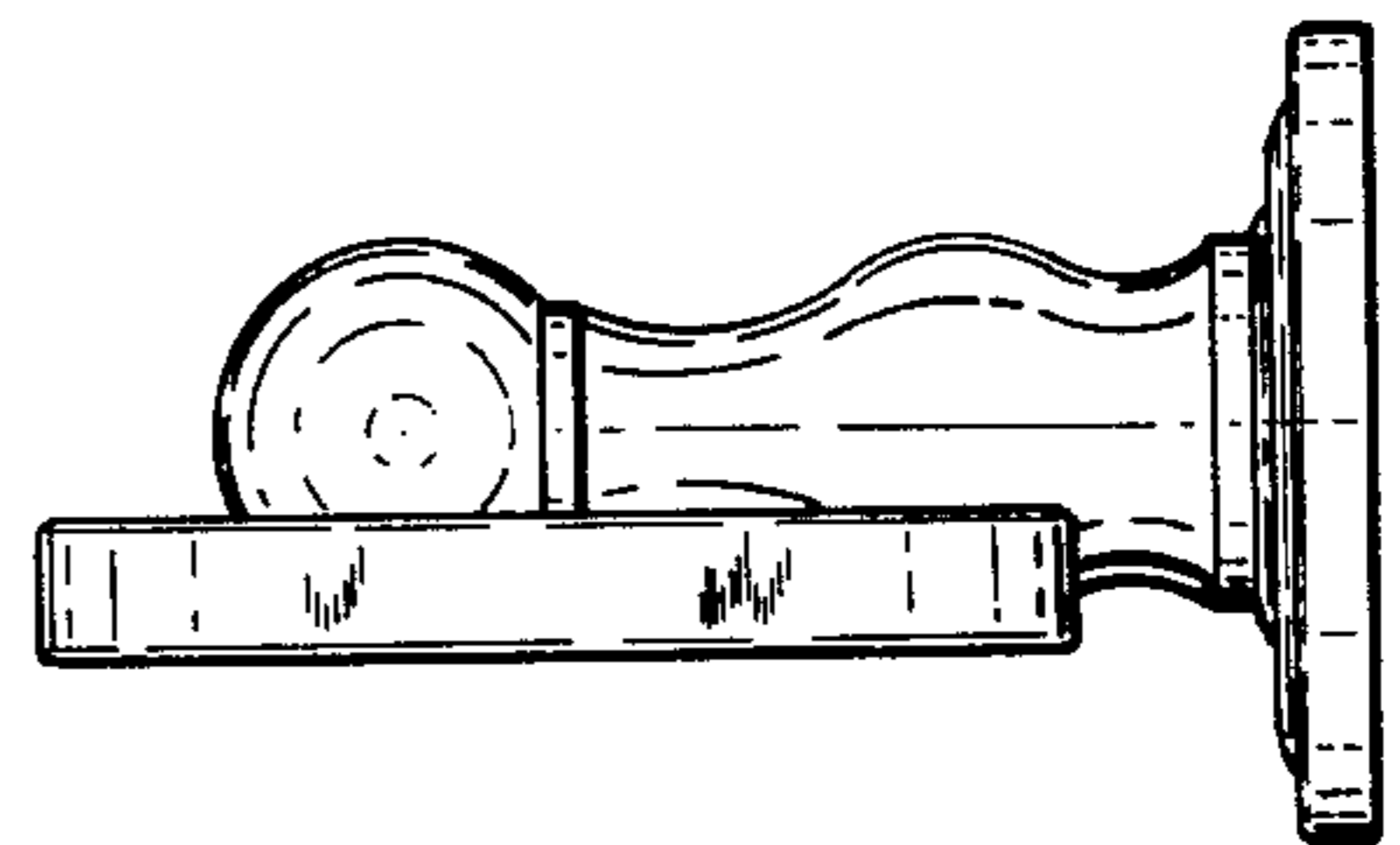


FIG. 9.

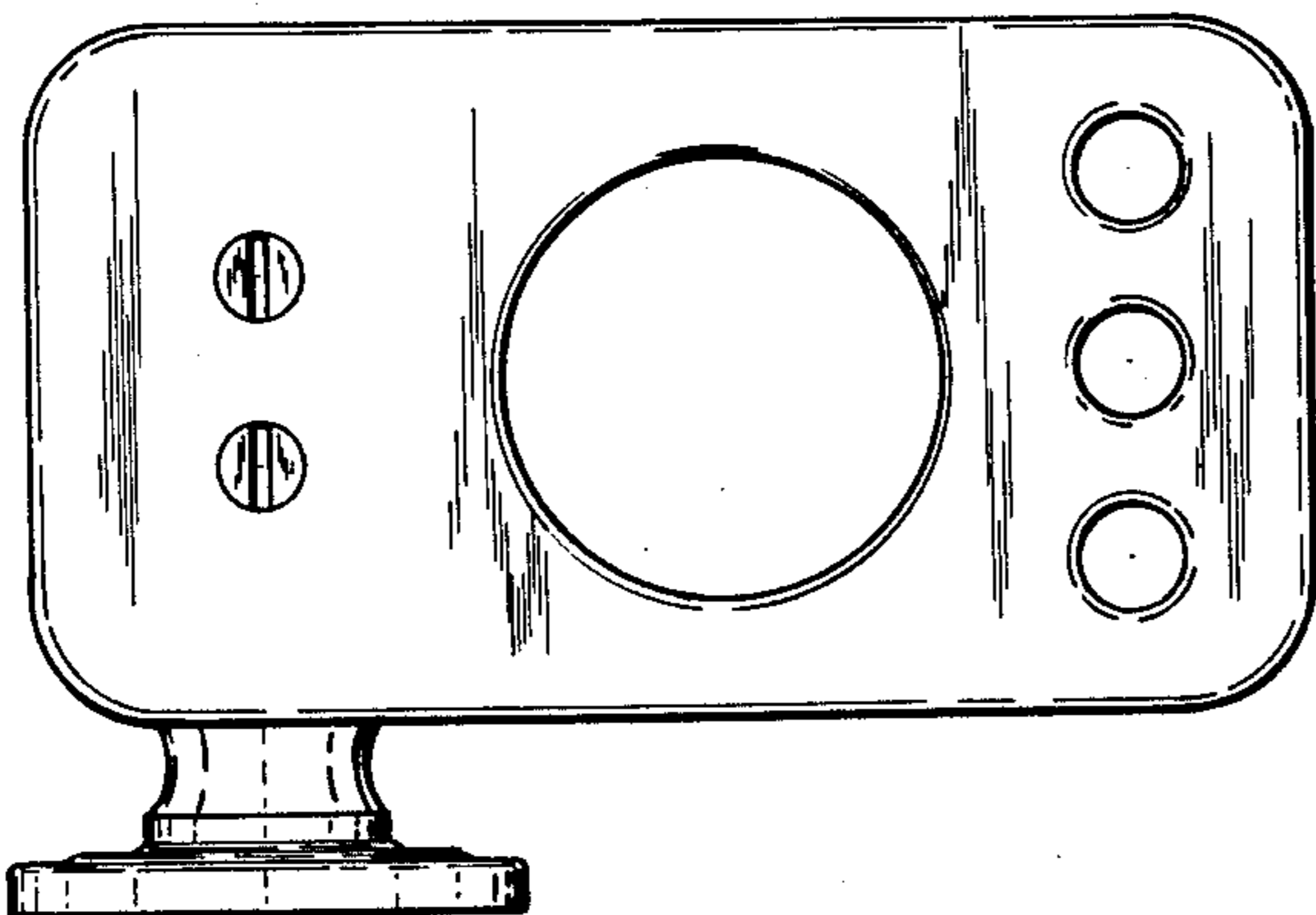


FIG. 10.