

[54] CARD DISPENSER

[76] Inventor: Janet M. Mills, 6040 Cammie Way, San Antonio, Tex. 78238

[**] Term: 14 Years

[21] Appl. No.: 836,601

[22] Filed: Feb. 27, 1986

[52] U.S. Cl. D6/515

[58] Field of Search D6/512, 515, 517; 221/191, 194, 282, 155, 45; 312/42; 211/49.1, 50

[56] References Cited

U.S. PATENT DOCUMENTS

- D. 161,590 1/1951 Pattison, Jr. D6/517
- D. 283,282 4/1986 Haske D6/527 X

- D. 295,590 5/1988 Merl et al. D6/515 X
- 3,164,298 1/1965 Repko 221/282
- 4,132,329 1/1979 Harrison D6/517 X

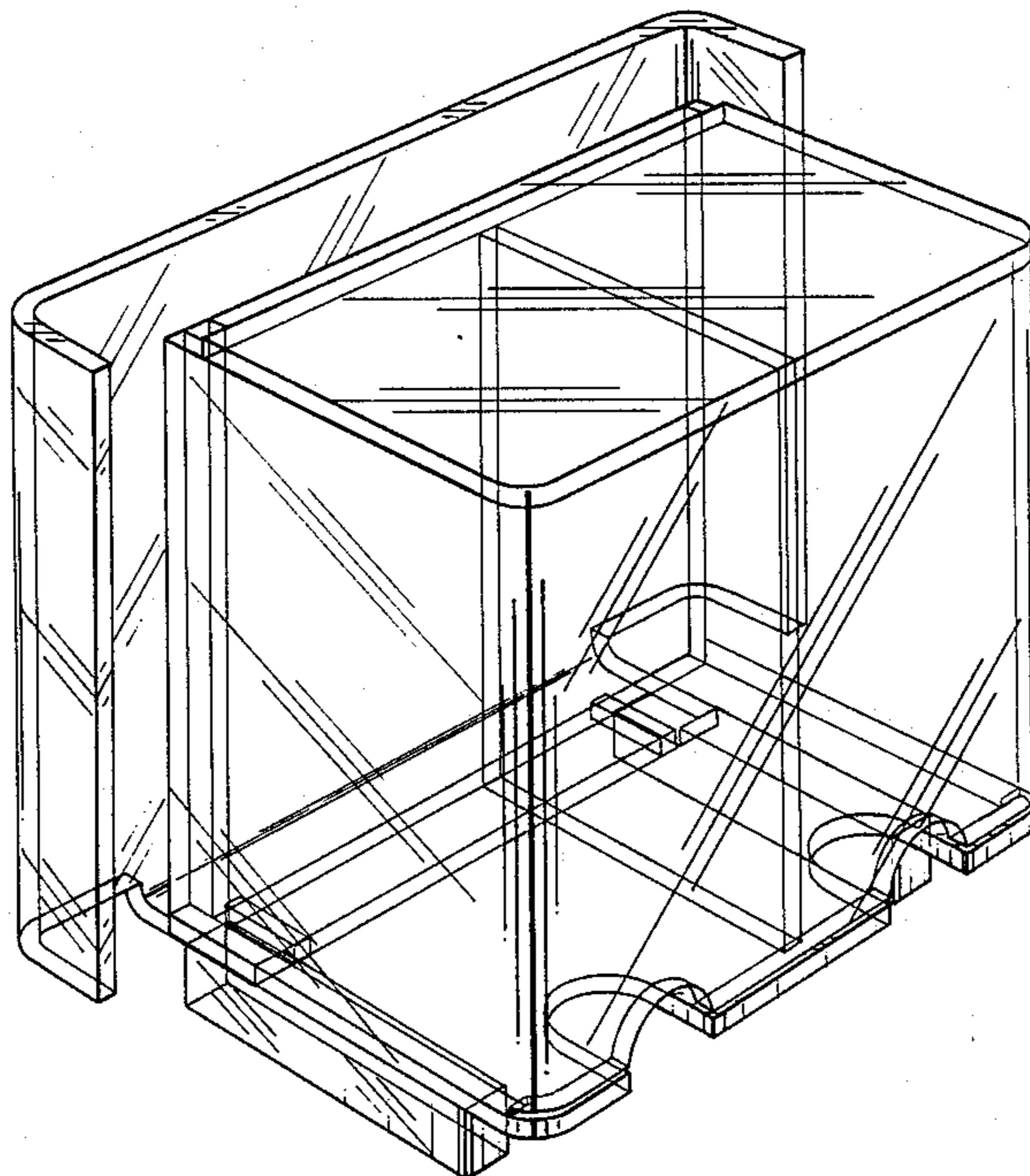
Primary Examiner—Wallace R. Burke
Assistant Examiner—Brian N. Vinson

[57] CLAIM

The ornamental design for a card dispenser, as shown.

DESCRIPTION

FIG. 1 is a top plan view of a card dispenser showing my new design;
 FIG. 2 is a front elevational view thereof;
 FIG. 3 is a left side elevational view thereof;
 FIG. 4 is a right side elevational view thereof;
 FIG. 5 is a rear elevational view thereof;
 FIG. 6 is a bottom plan view thereof; and
 FIG. 7 is a top perspective view thereof.



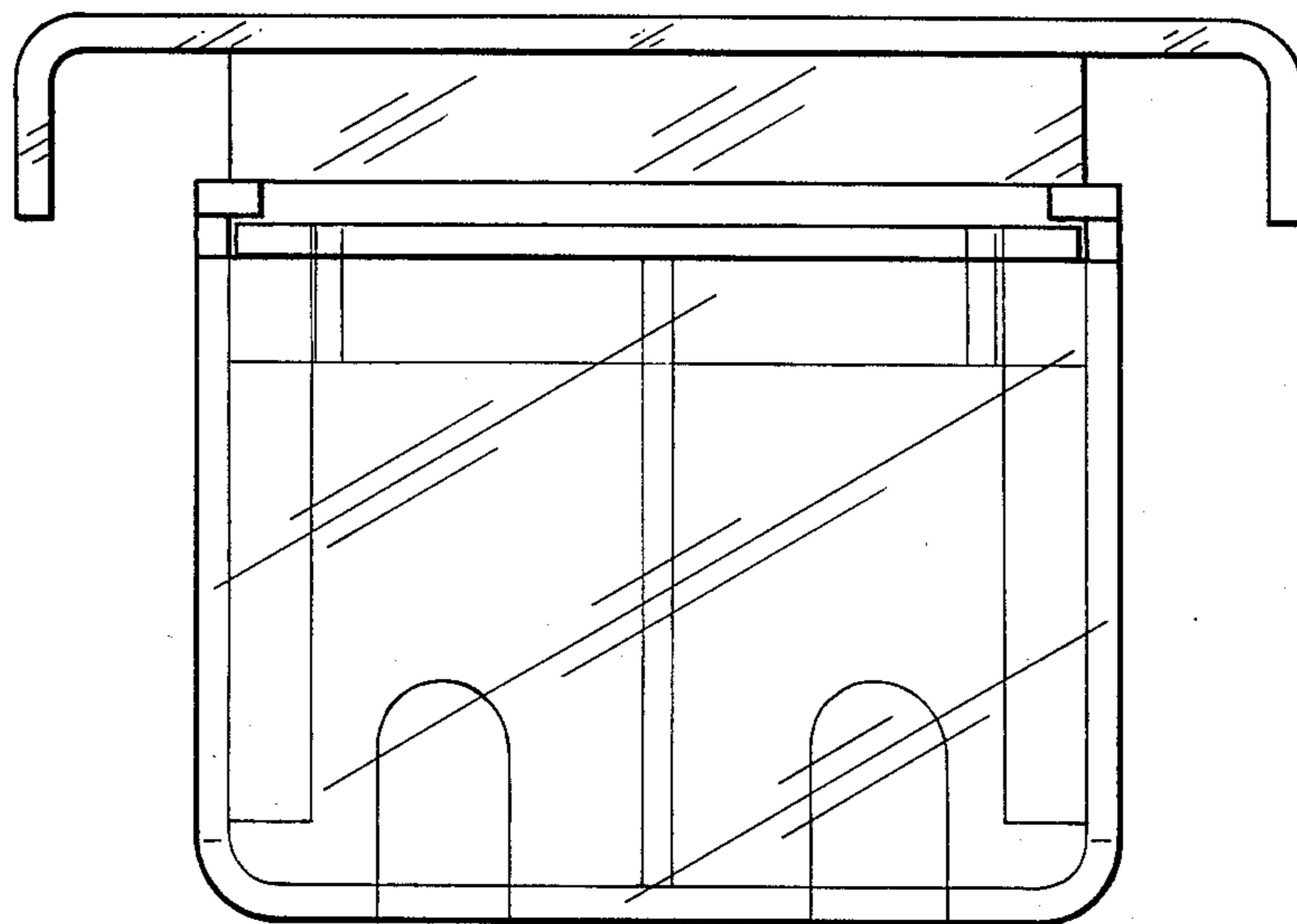


FIG. 1

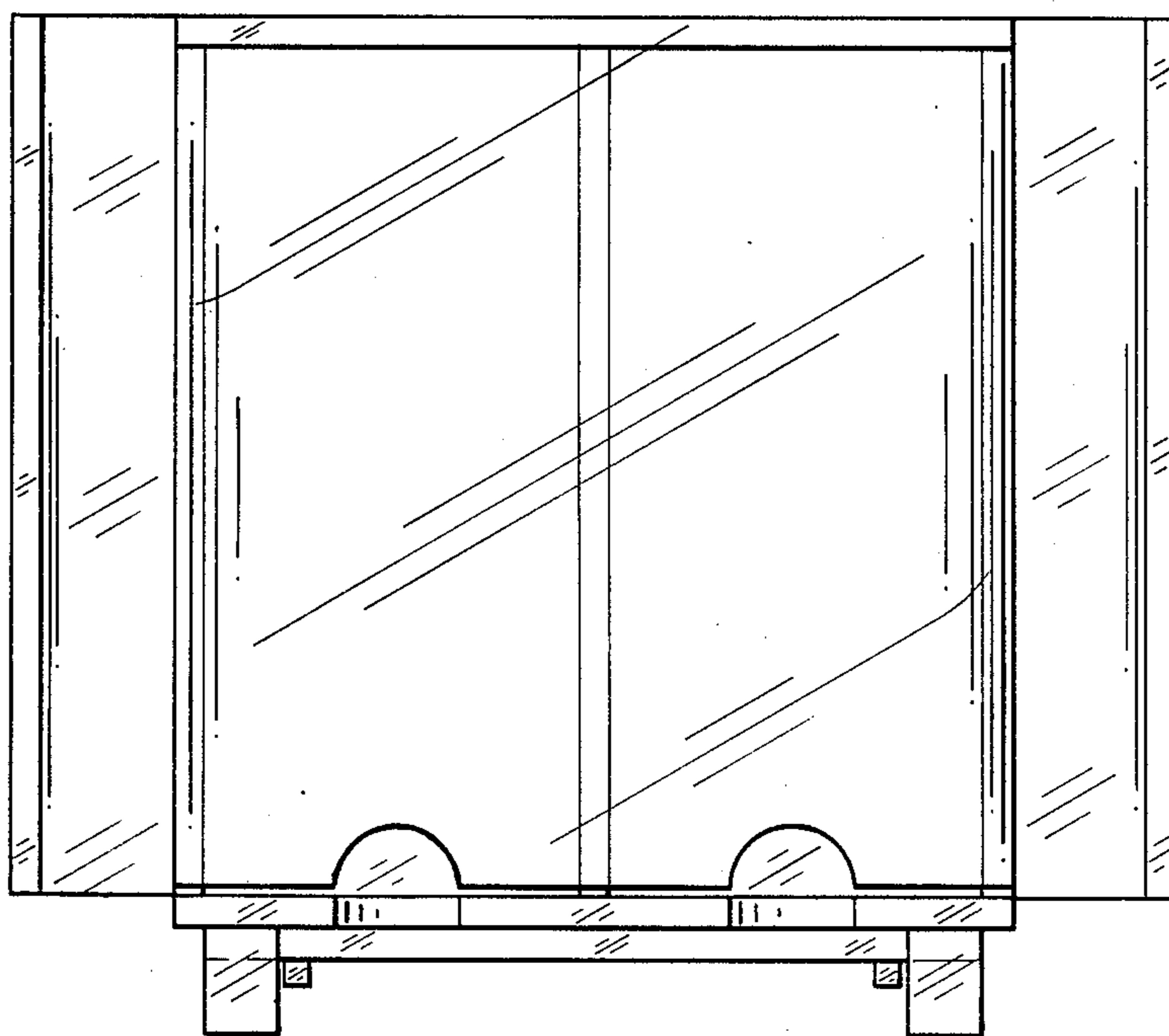


FIG. 2

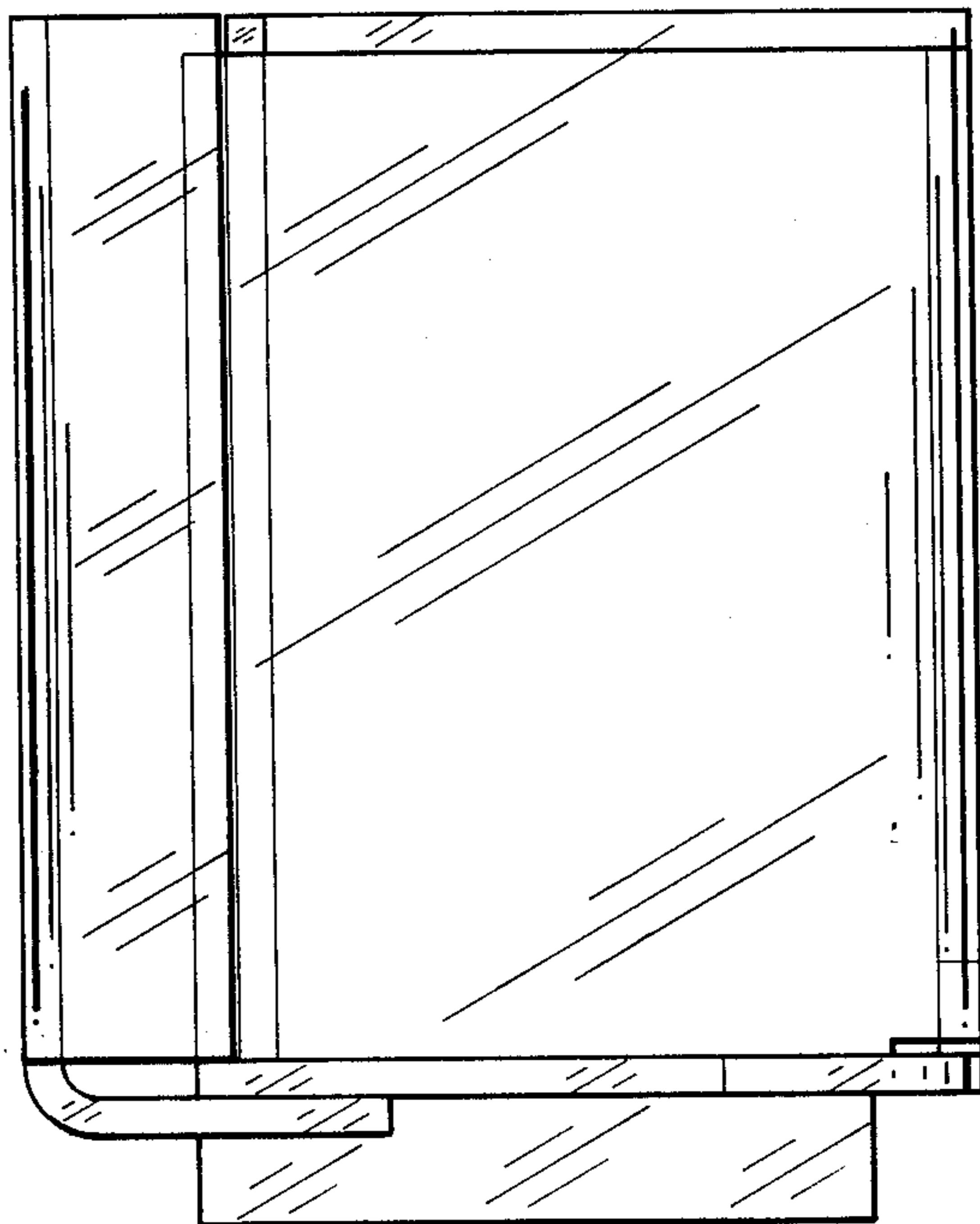


FIG. 3

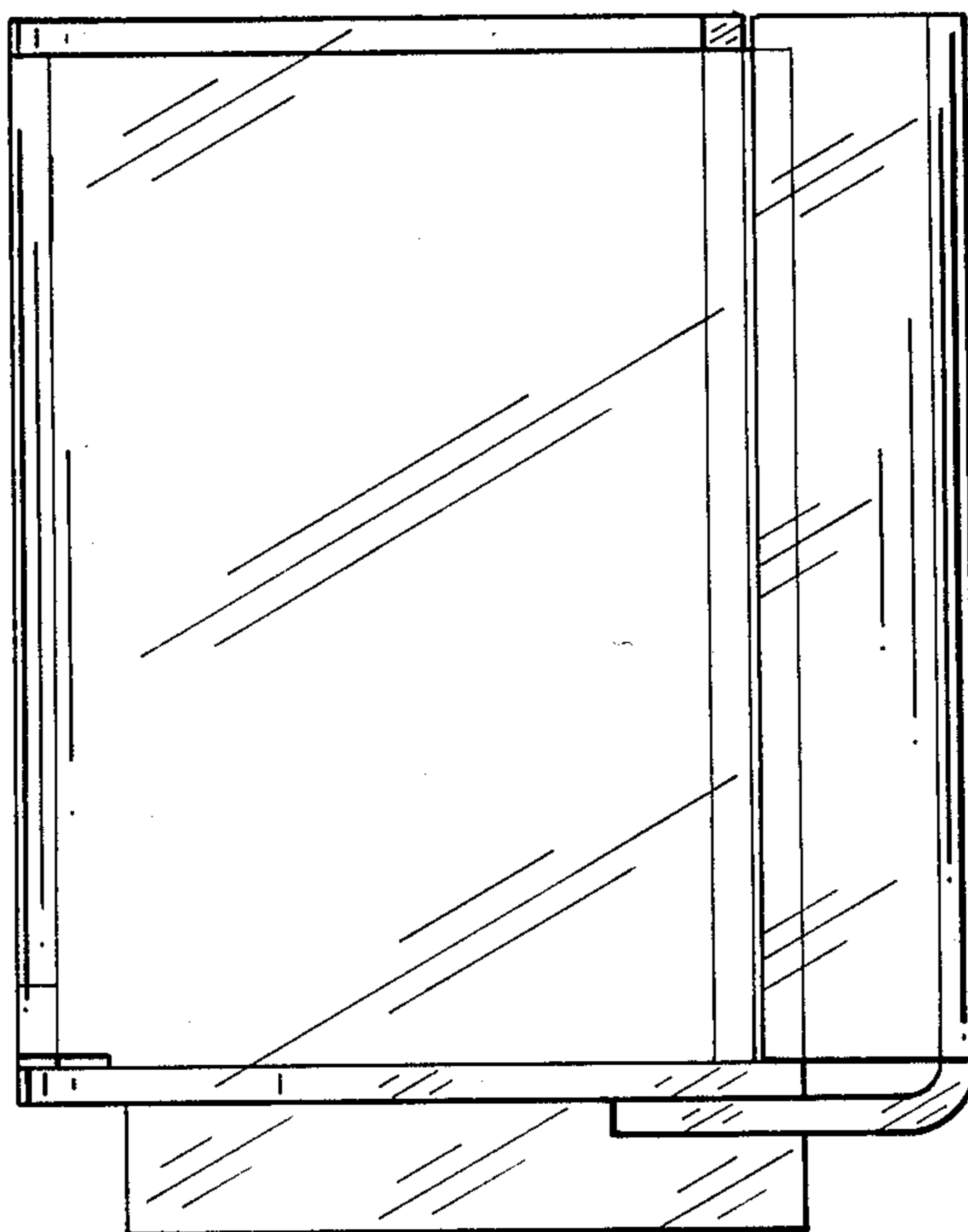


FIG. 4

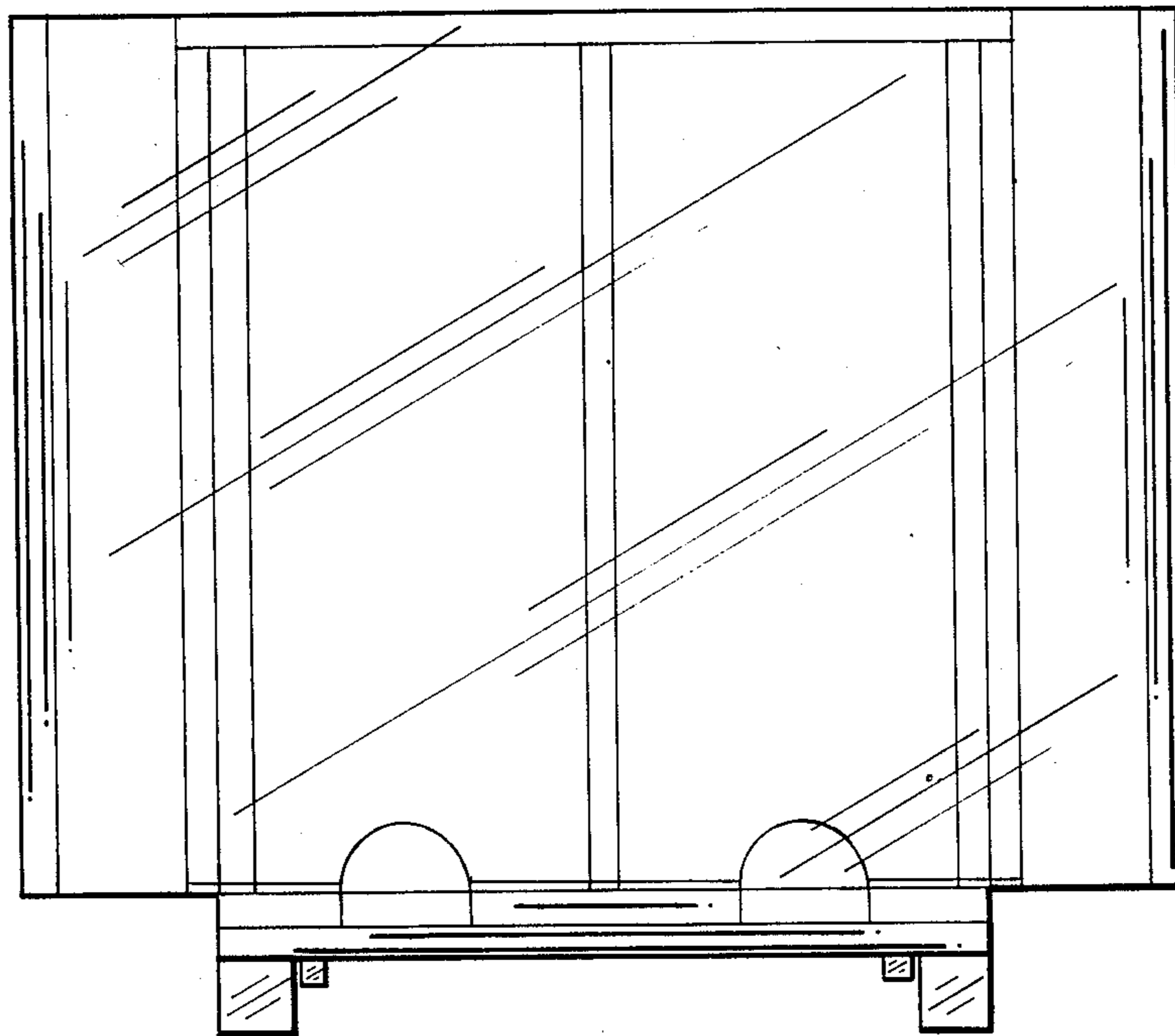


FIG. 5

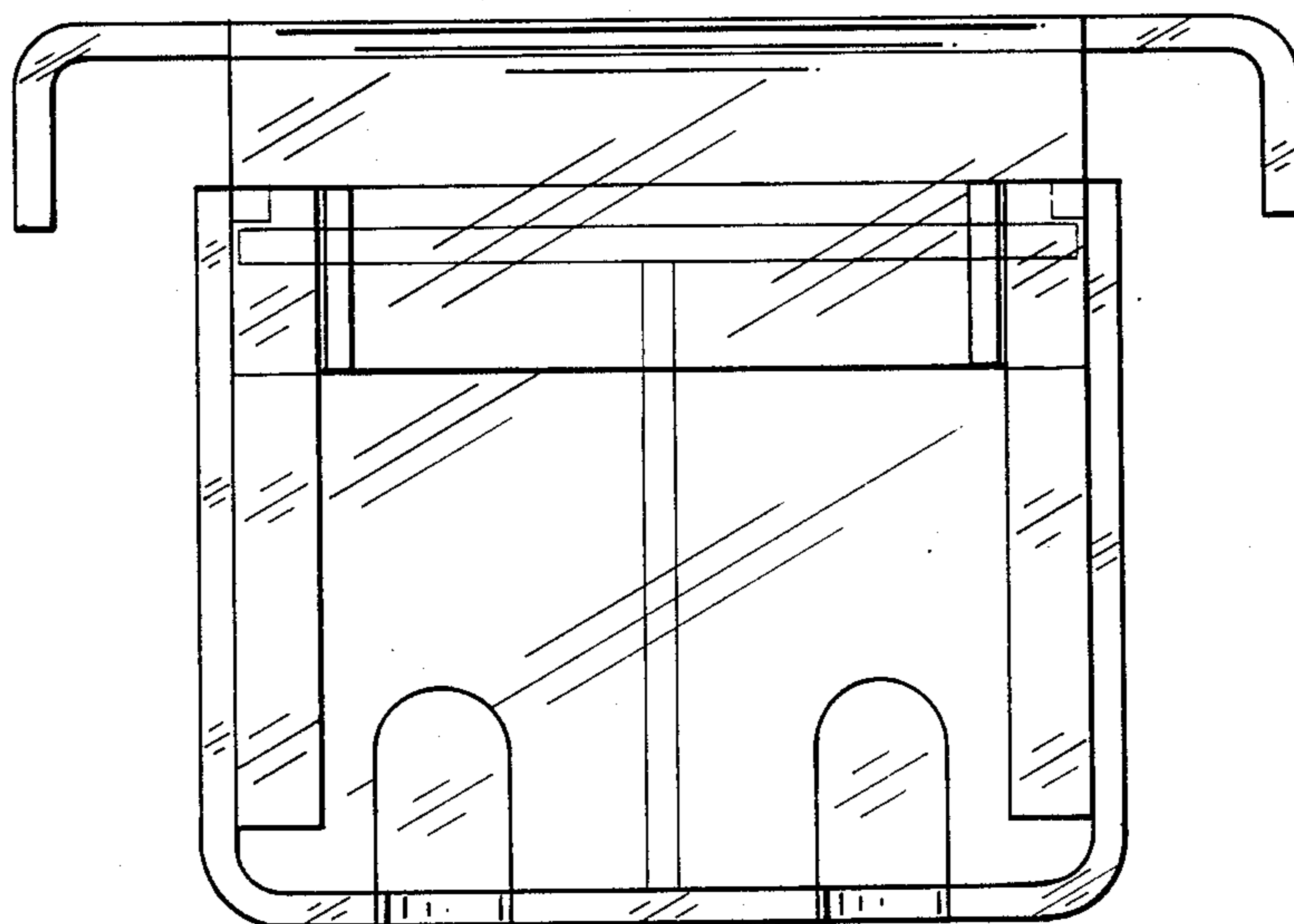


FIG. 6

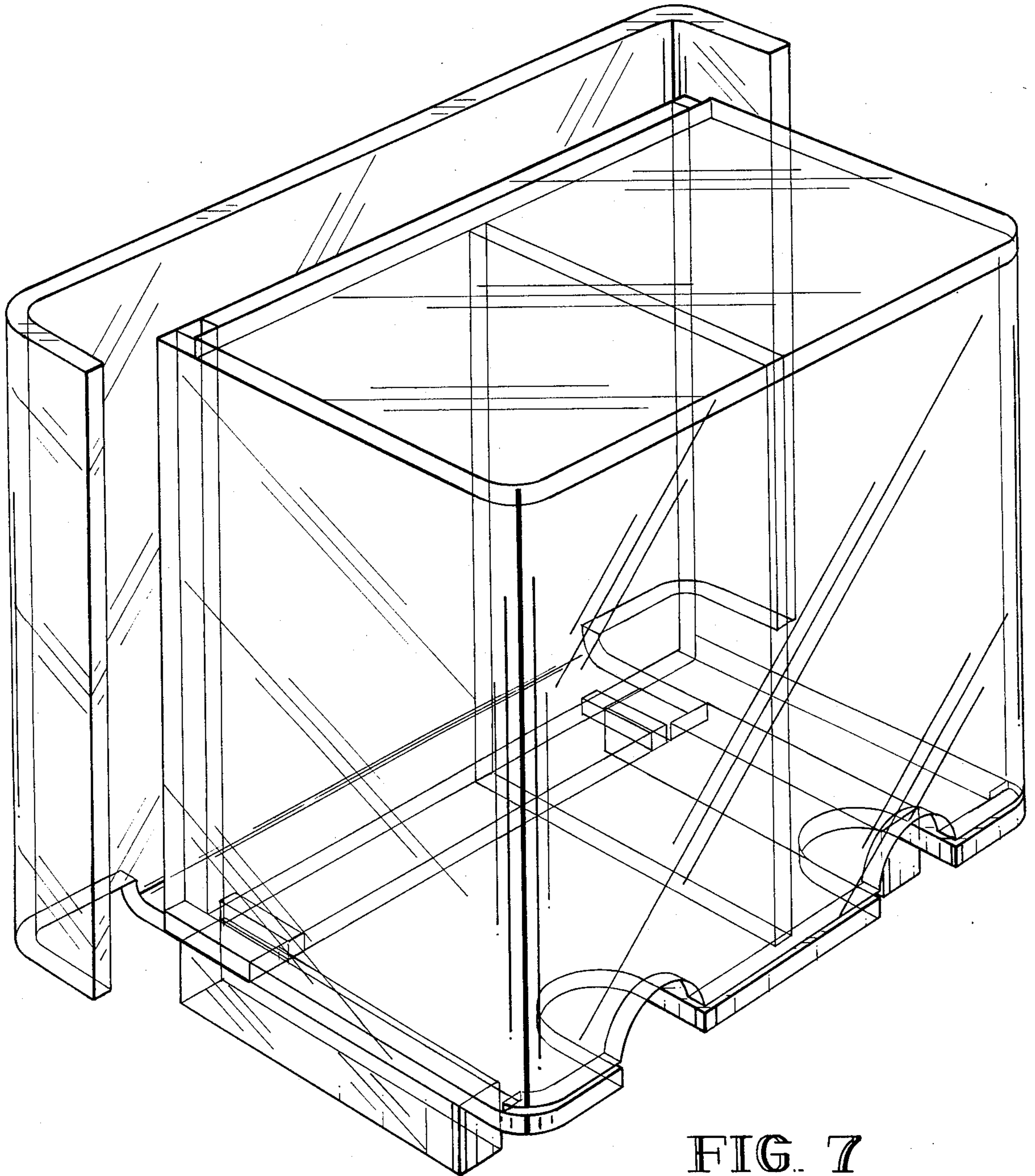


FIG. 7