

[54] MOUNTABLE TOOL STORAGE

[75] Inventor: Bruce A. Burdick, San Francisco, Calif.

[73] Assignee: Herman Miller, Inc., Zeeland, Mich.

[**] Term: 14 Years

[21] Appl. No.: 909,078

[22] Filed: Sep. 18, 1986

[52] U.S. Cl. D6/474; D6/426; D6/471

[58] Field of Search D6/449, 474, 509-511, D6/573, 574, 575, 471, 422-426; 312/194-196

[56] References Cited

U.S. PATENT DOCUMENTS

- D. 34,100 2/1901 Long .
- D. 56,242 8/1920 Stimason D6/475 X
- D. 89,950 5/1933 Duncan D6/474 X
- D. 147,084 7/1947 Reinecke D6/474
- D. 158,066 4/1950 Gerth .
- D. 180,714 7/1957 Hardy D6/426
- 514,108 2/1894 Wilmot .
- 1,731,096 10/1929 Erskine .

- 1,733,702 10/1929 Truffaut .
- 3,245,741 4/1966 Bartlett .
- 3,862,785 1/1975 Scheerhorn et al. .
- 4,118,084 10/1978 Sussman D6/474 X
- 4,429,932 2/1984 Brennan .

FOREIGN PATENT DOCUMENTS

61372 5/1912 Fed. Rep. of Germany 312/194

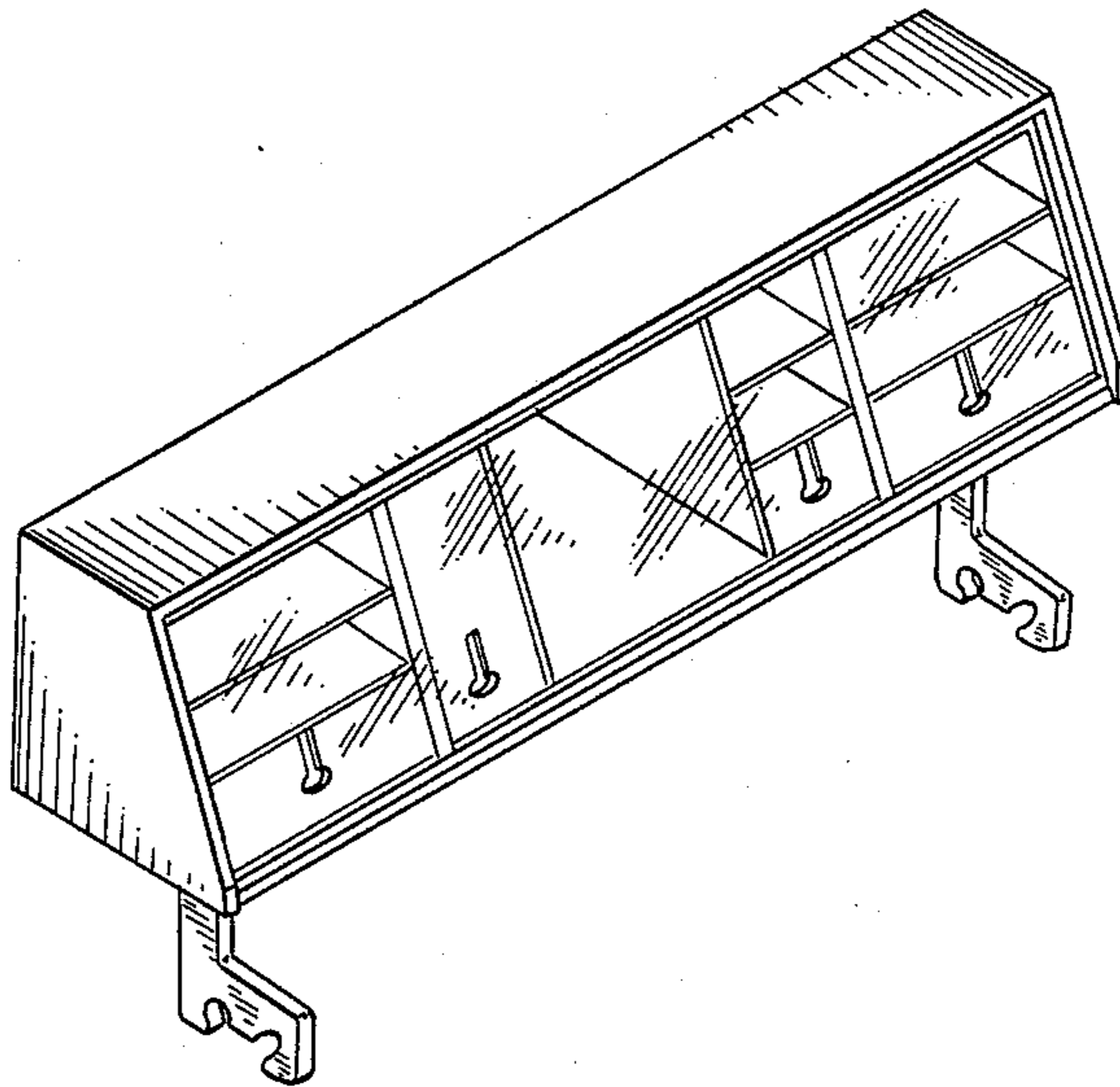
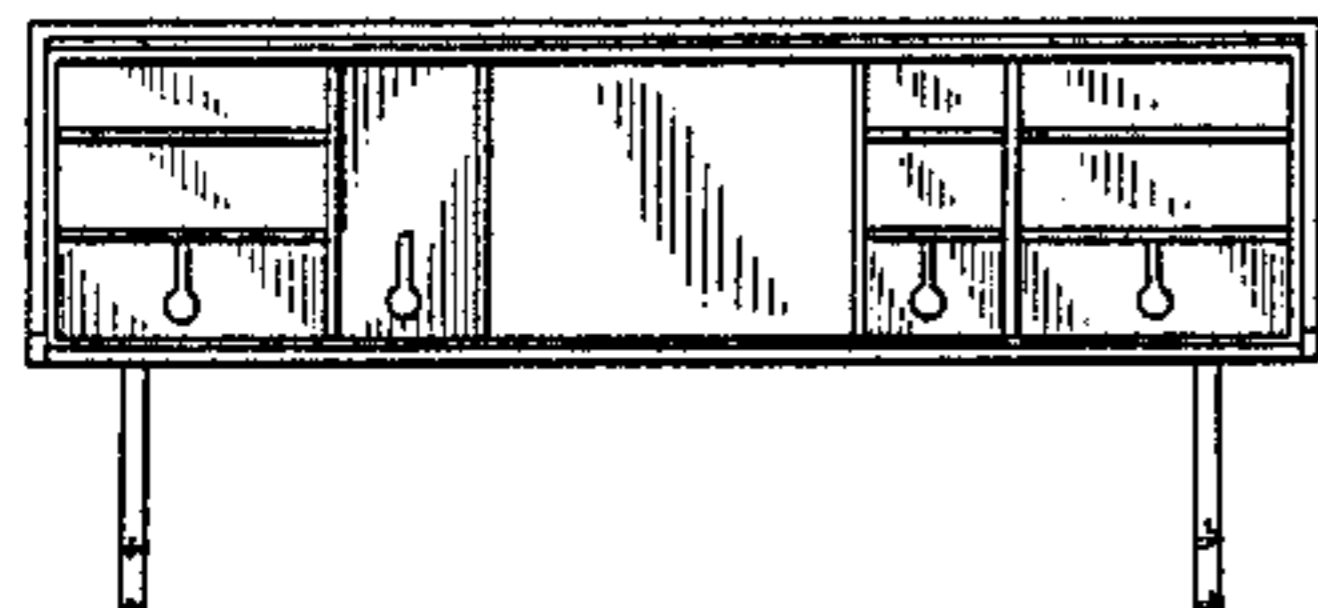
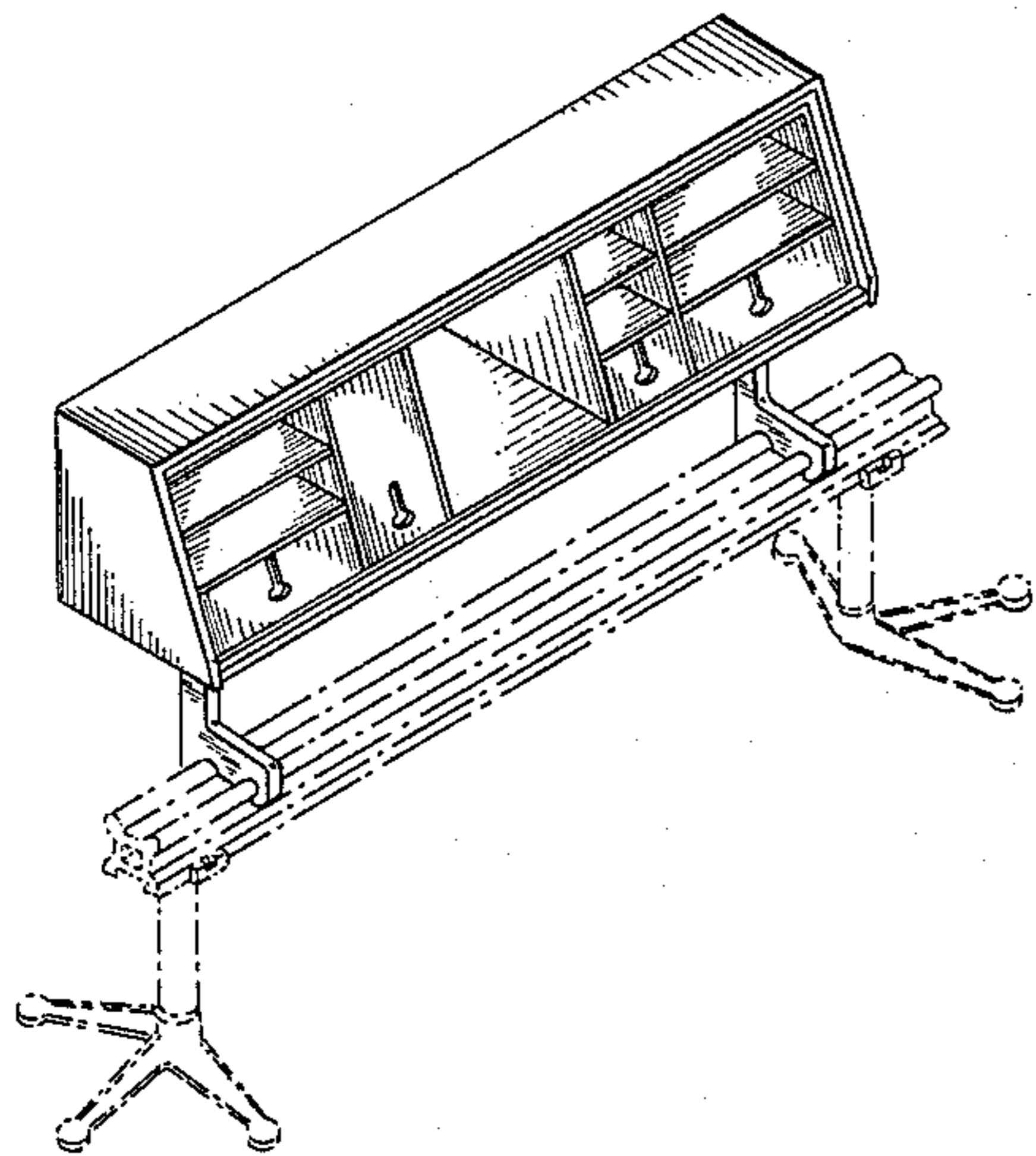
Primary Examiner—Carmen H. Vales
Attorney, Agent, or Firm—Varnum, Riddering, Schmidt & Howlett

[57] CLAIM

The ornamental design for a mountable tool storage, as shown and described.

DESCRIPTION

FIG. 1 is a perspective view of a mountable tool storage showing my new design;
FIG. 2 is a front elevational view thereof;
FIG. 3 is a right side elevational view thereof, with the left side elevational view being the mirror image thereof;
FIG. 4 is a top plan view thereof; and
FIG. 5 is a perspective view of a modified embodiment of the mountable tool storage shown in FIG. 1.



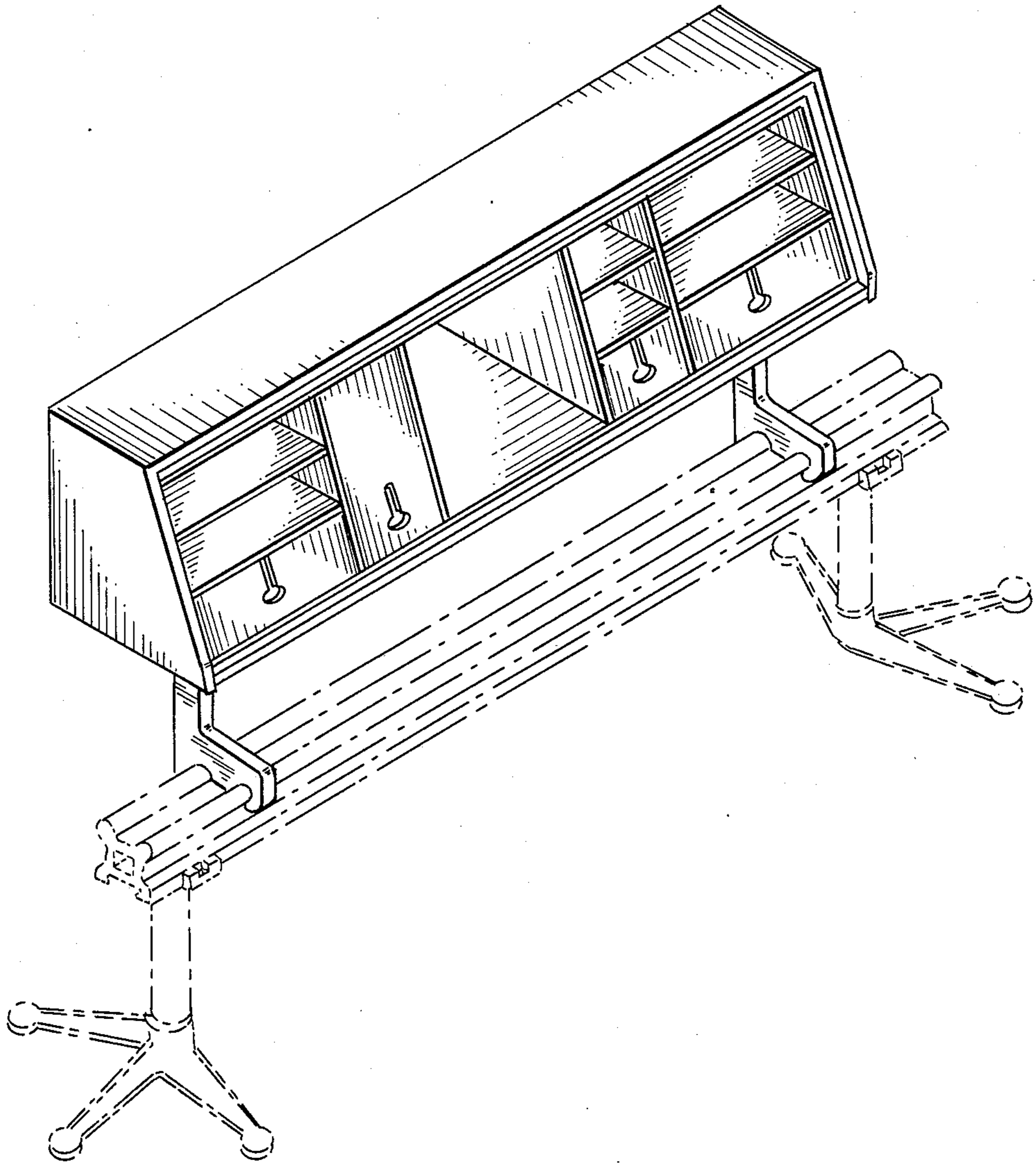


FIG. 1

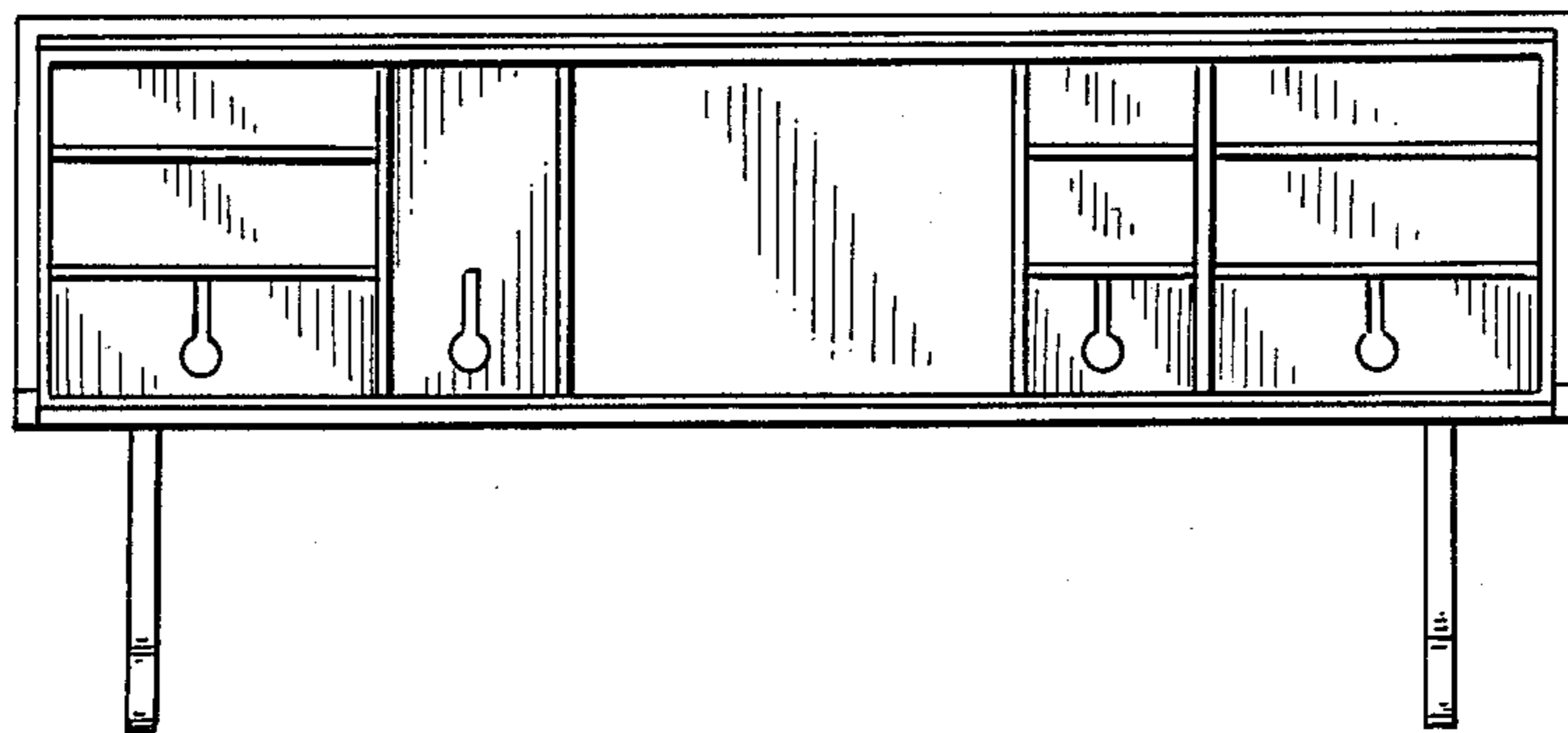


FIG. 2

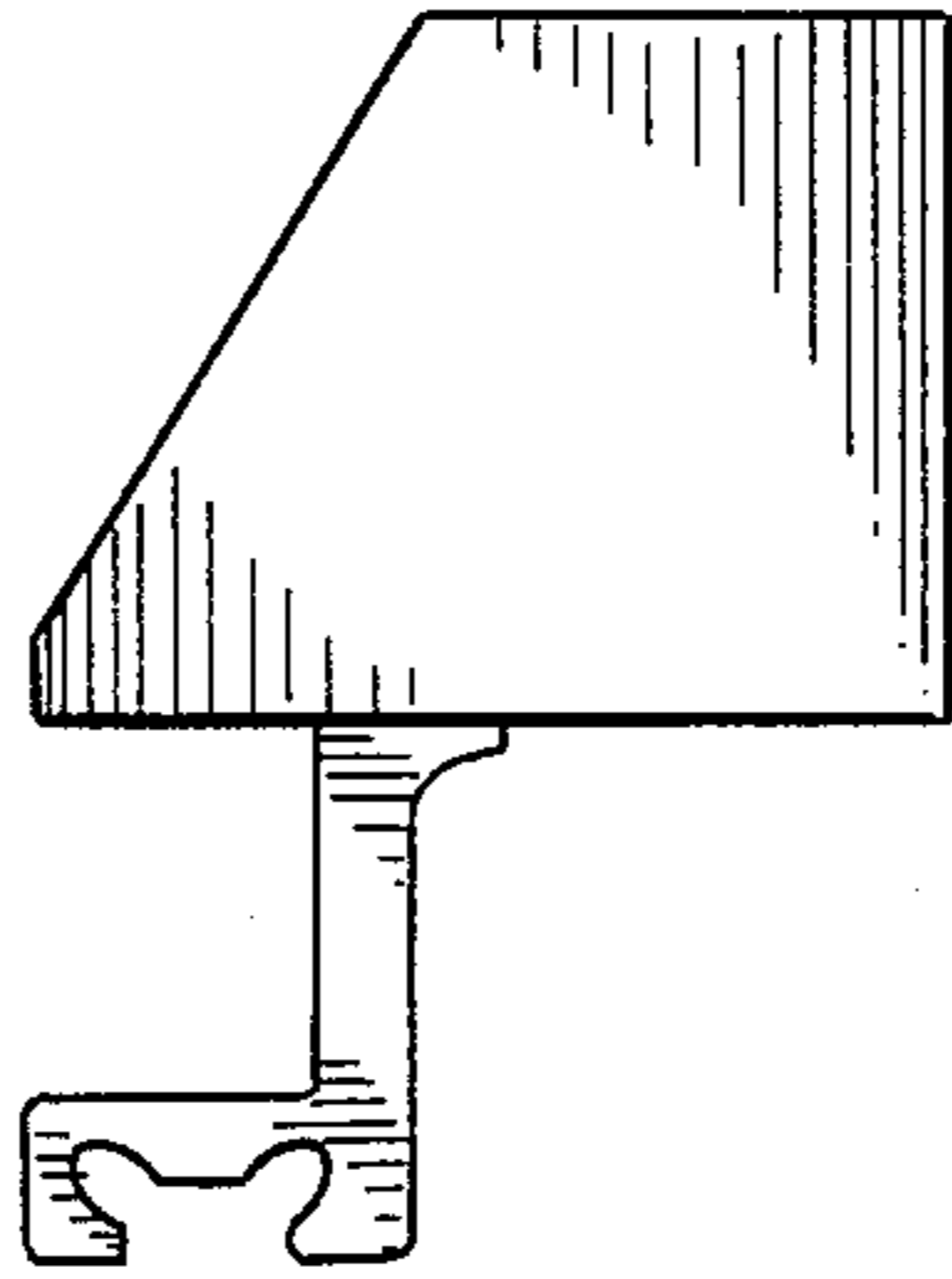


FIG. 3

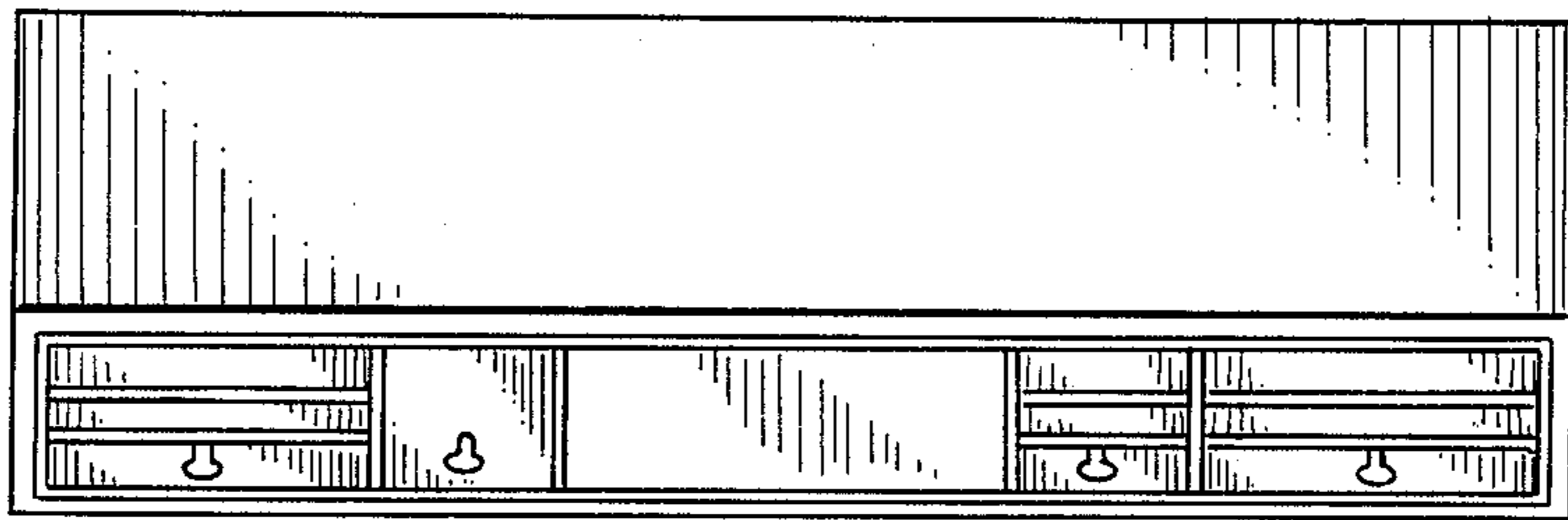


FIG. 4

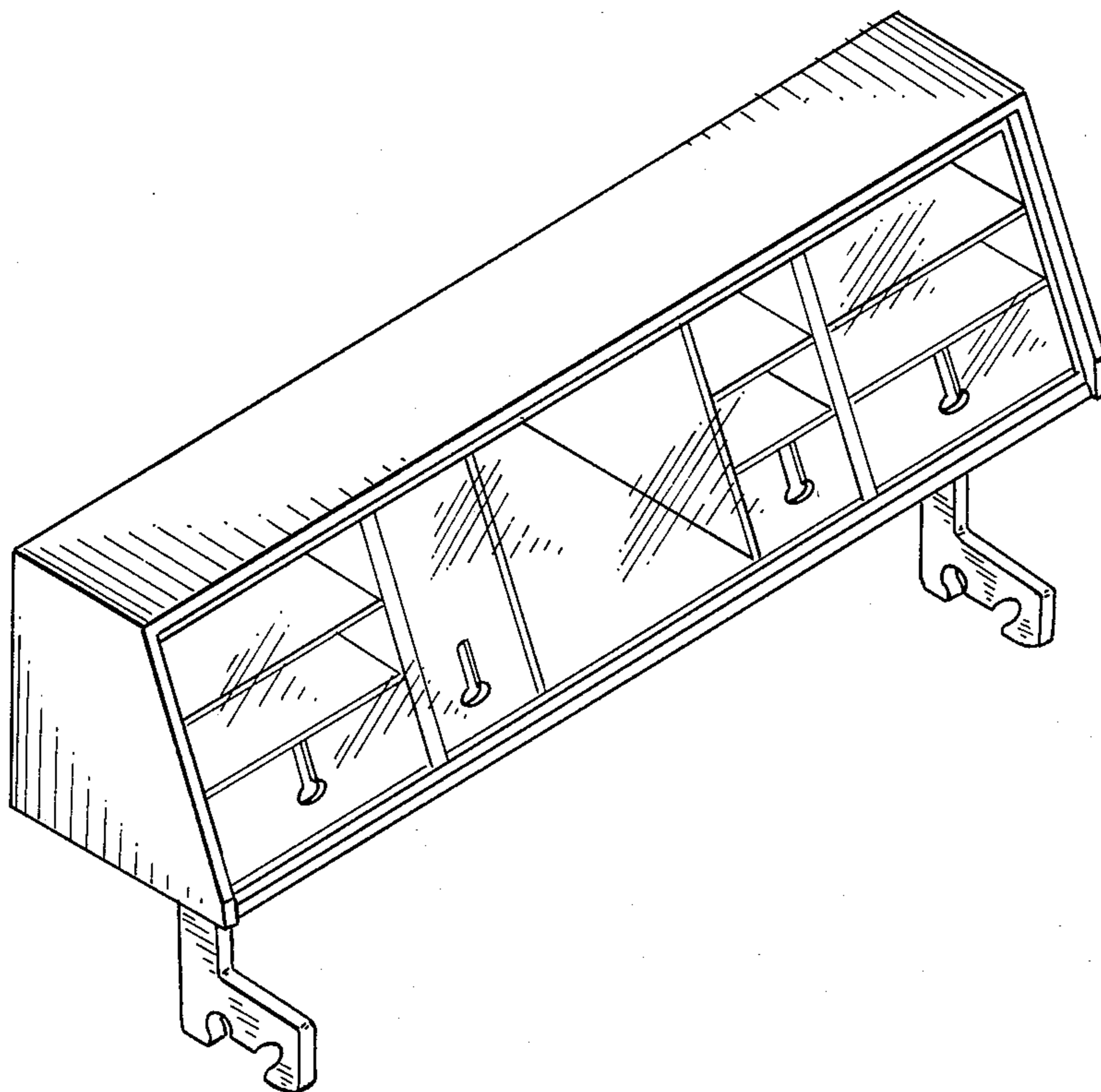


FIG. 5

UNITED STATES PATENT AND TRADEMARK OFFICE
CERTIFICATE OF CORRECTION

PATENT NO. : Des. 299,093
DATED : December 27, 1988
INVENTOR(S) : Bruce A. Burdick

It is certified that error appears in the above-identified patent and that said Letters Patent is hereby corrected as shown below:

Title page:

Insert the following immediately preceding the claim:

--The broken lines indicate environmental structure and form no part of the claimed design.--

**Signed and Sealed this
Fifteenth Day of August, 1989**

Attest:

Attesting Officer

DONALD J. QUIGG

Commissioner of Patents and Trademarks