

[54] STAND

[75] Inventor: Franco Leolli, Magliaso Ticino, Switzerland

[73] Assignee: Modacor Italiana S.p.A., Varese, Italy

[**] Term: 14 Years

[21] Appl. No.: 845,817

[22] Filed: Mar. 25, 1986

[52] U.S. Cl. D6/474

[58] Field of Search D6/455, 449, 460, 474; 211/13; 108/96

[56] References Cited

U.S. PATENT DOCUMENTS

D. 228,589 10/1973 Moretini D6/460

D. 250,372 11/1978 Szabo et al. D6/455
D. 254,174 2/1980 Horback D6/460

Primary Examiner—Carmen H. Vales
Attorney, Agent, or Firm—Shlesinger, Fitzsimmons & Shlesinger

[57] CLAIM

The ornamental design for a stand, as shown and described.

DESCRIPTION

FIG. 1 is a perspective view of a stand showing my new design;

FIG. 2 is a front elevational view thereof;

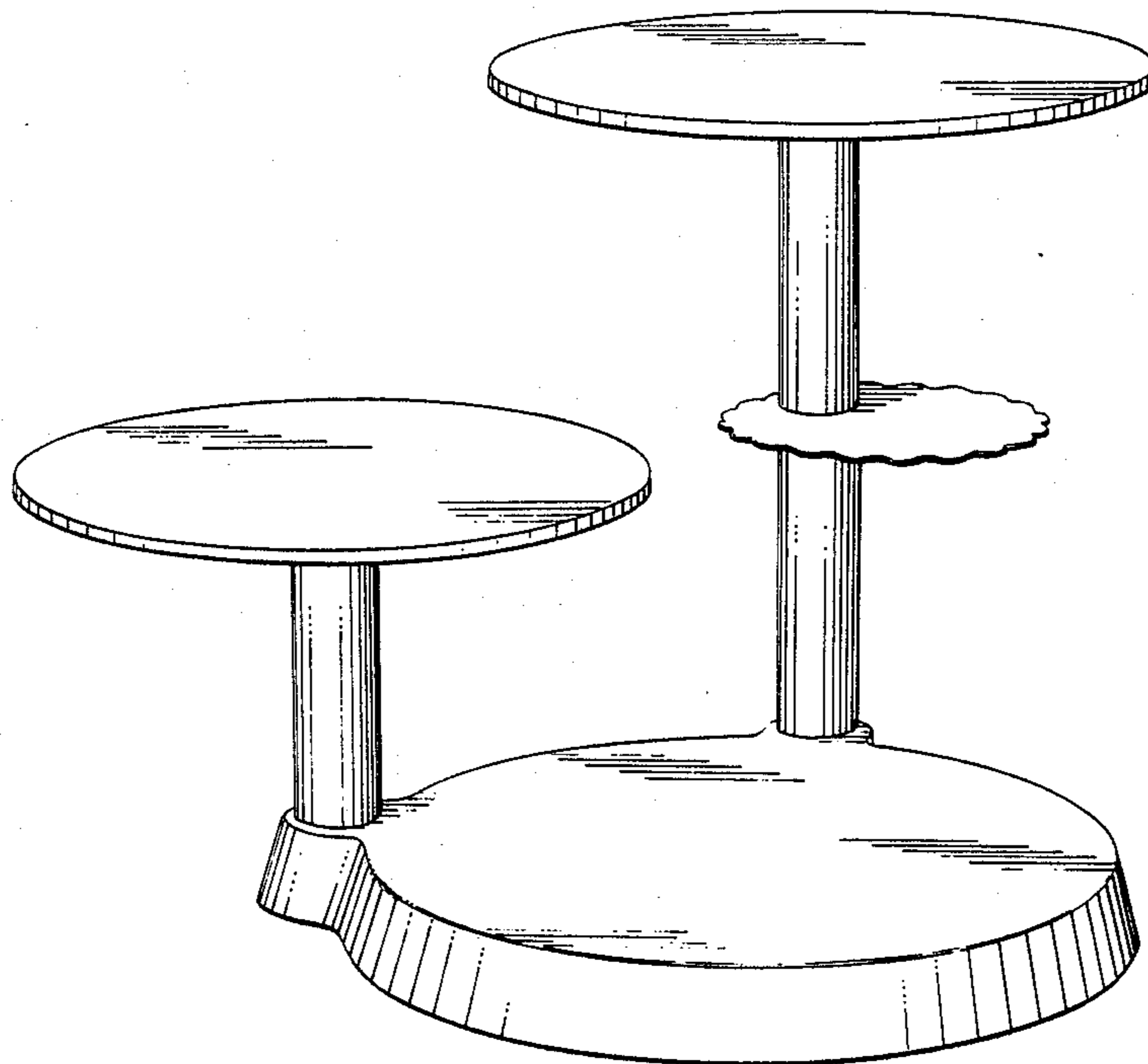
FIG. 3 is a left side elevational view thereof;

FIG. 4 is a right side elevational view thereof;

FIG. 5 is a rear elevational view thereof;

FIG. 6 is a top plan view thereof; and,

FIG. 7 is a bottom plan view thereof.



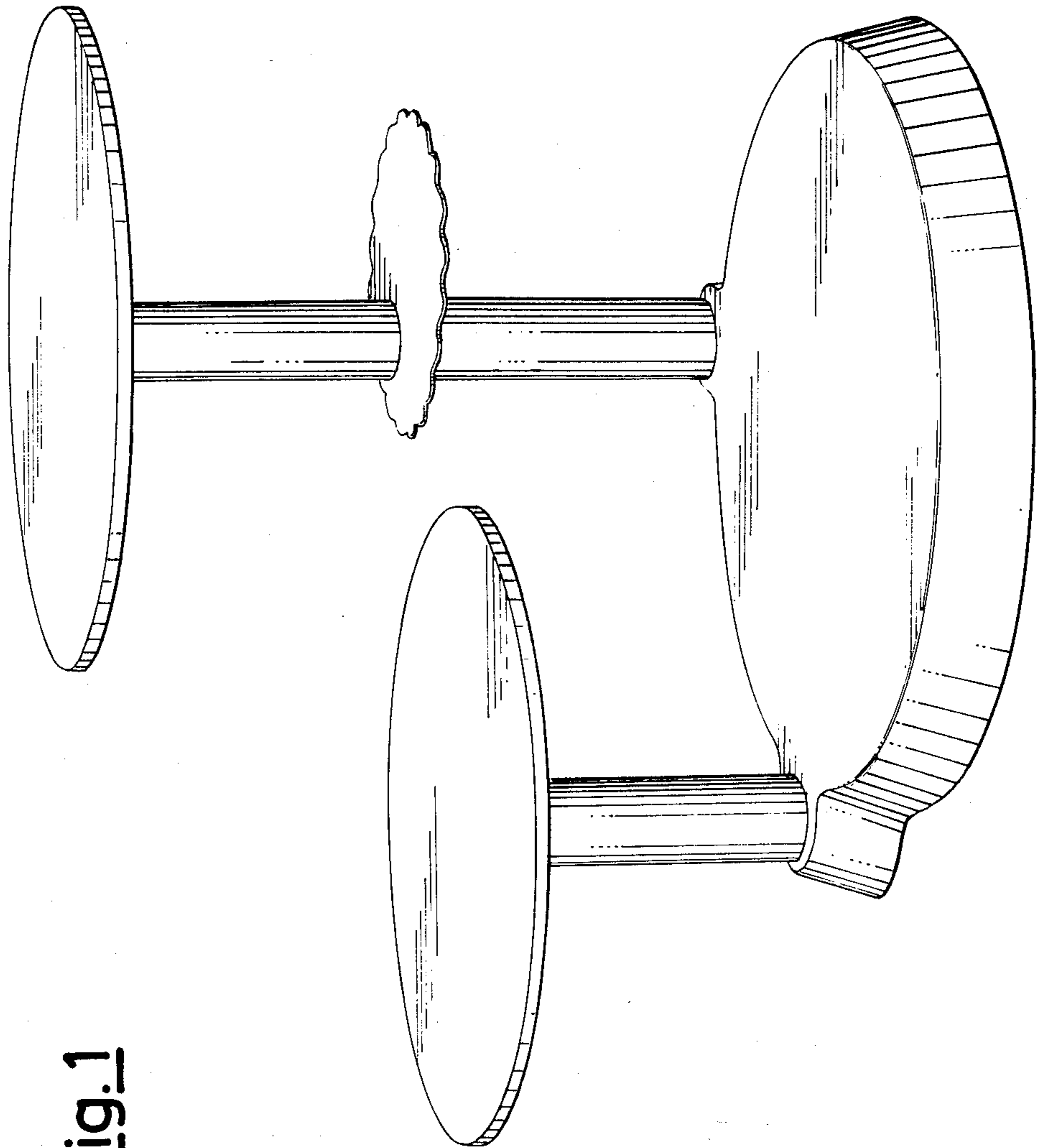


Fig. 1

Fig. 2

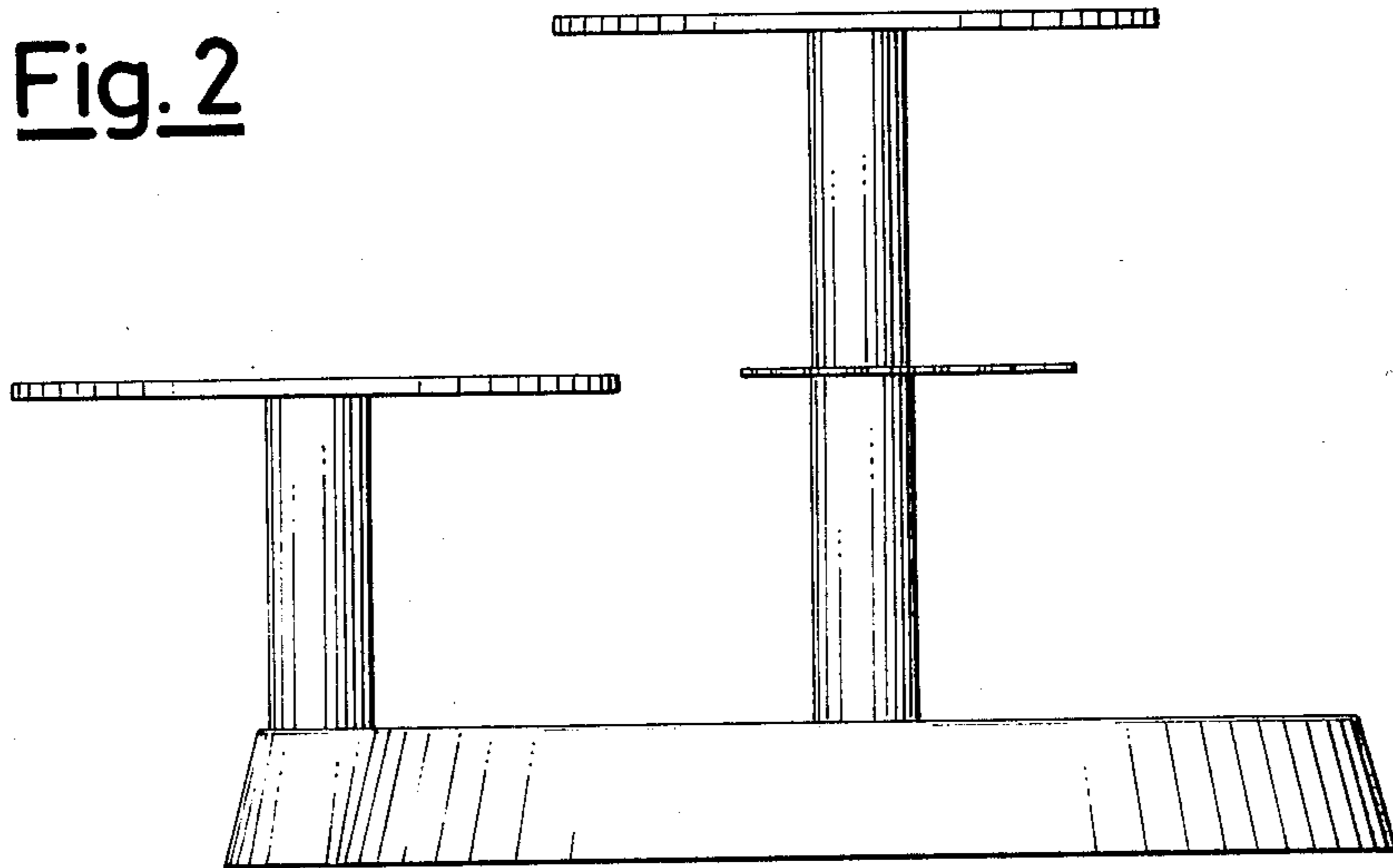
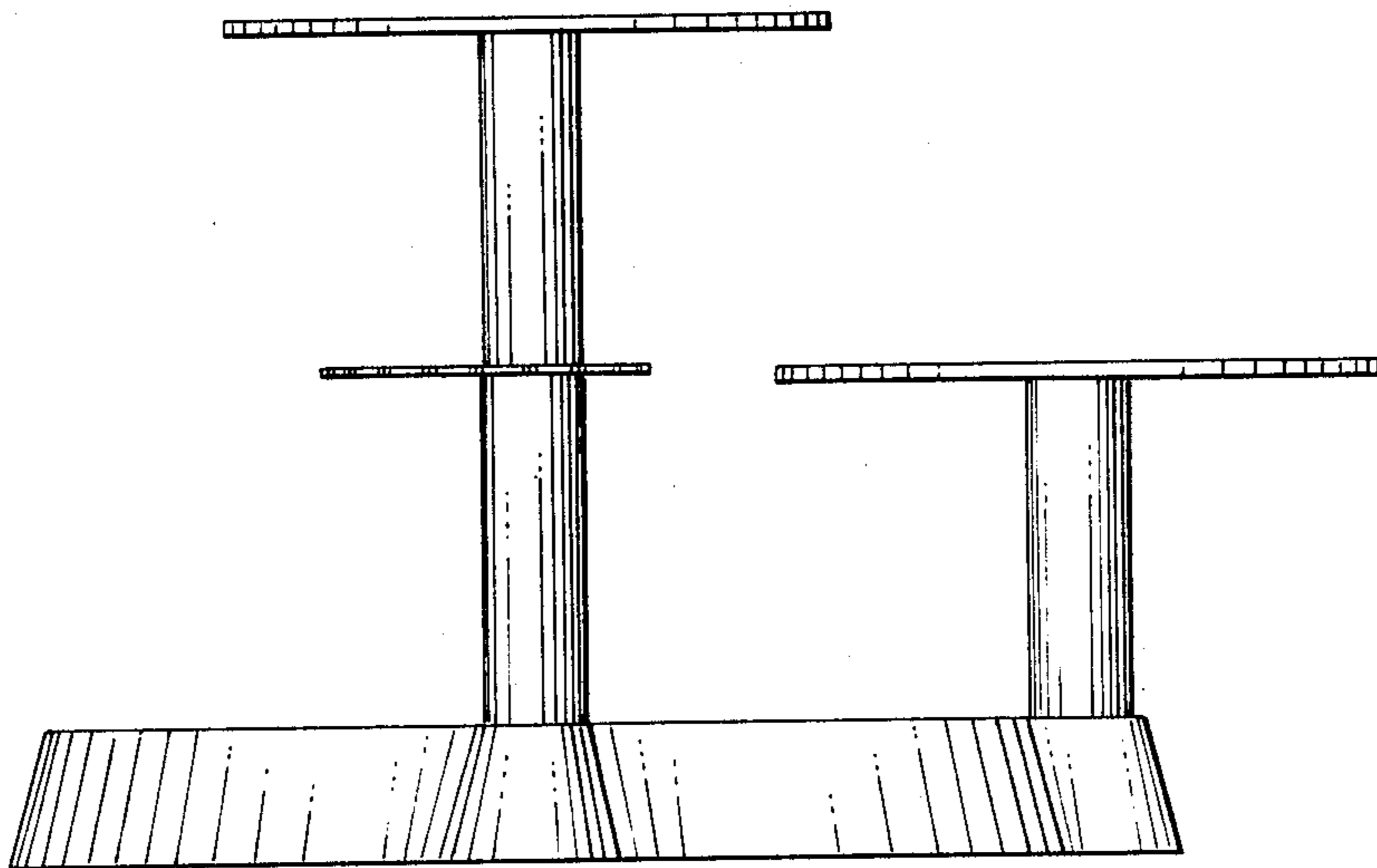


Fig. 3



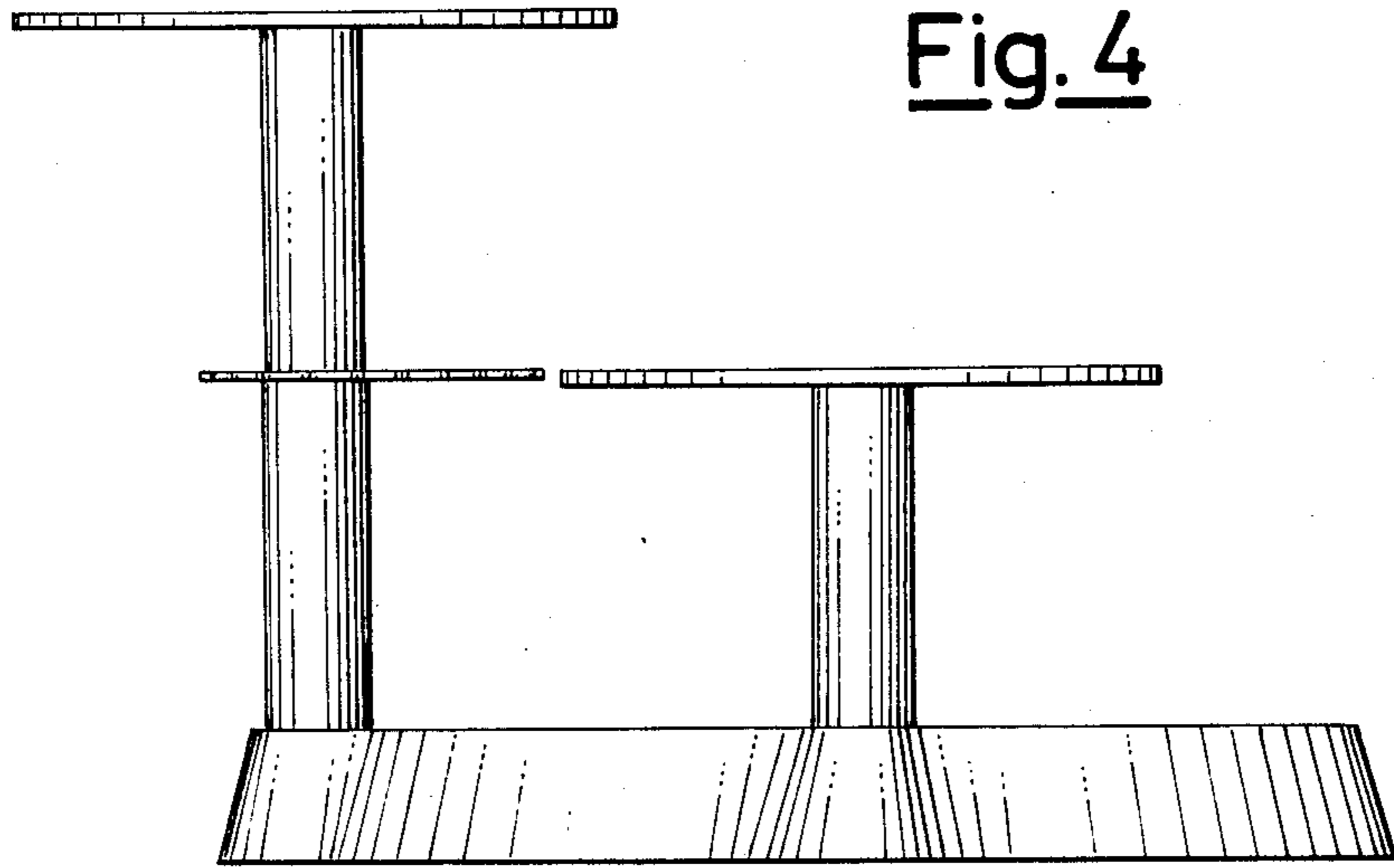


Fig. 4

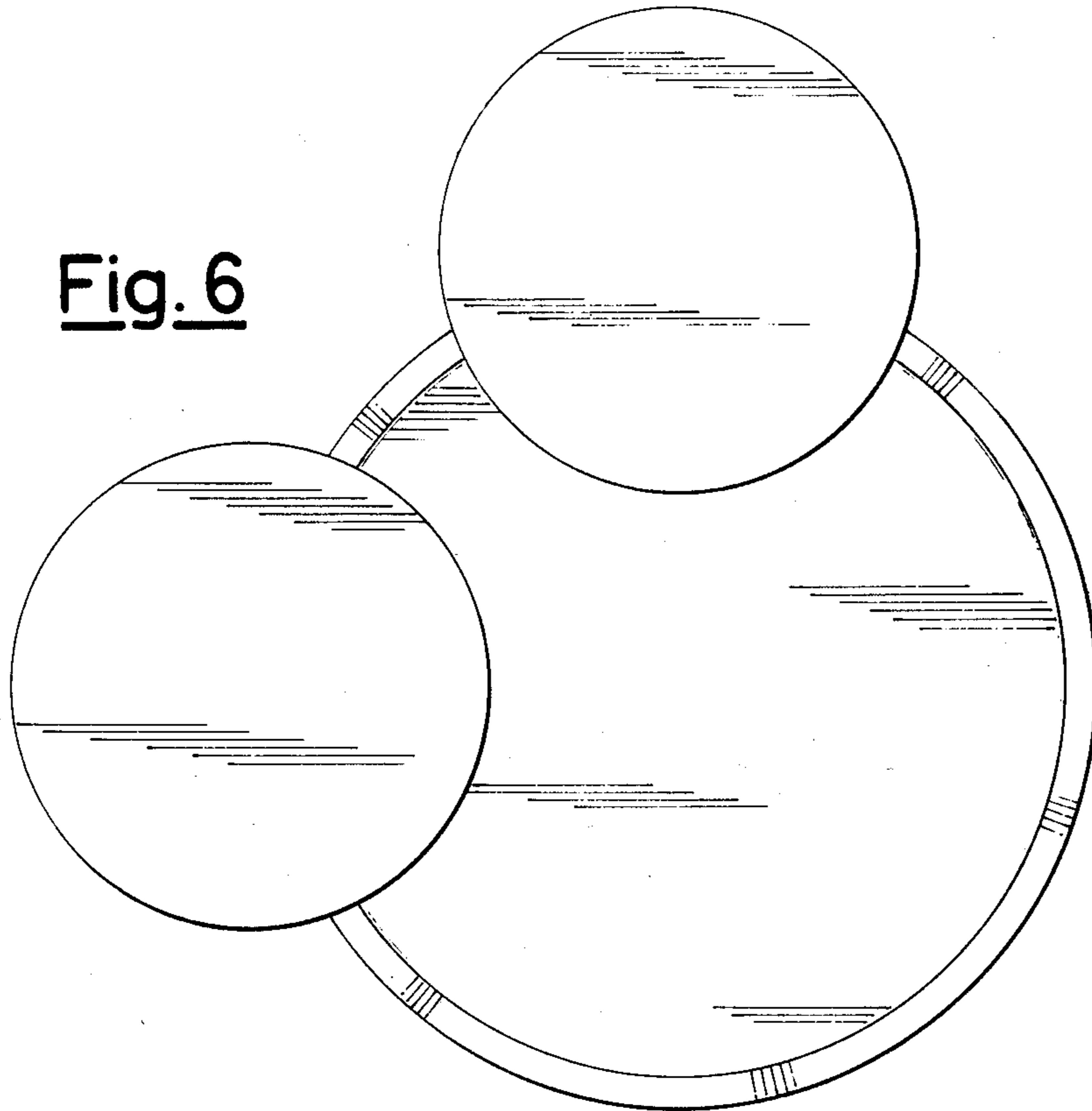


Fig. 6

Fig. 5

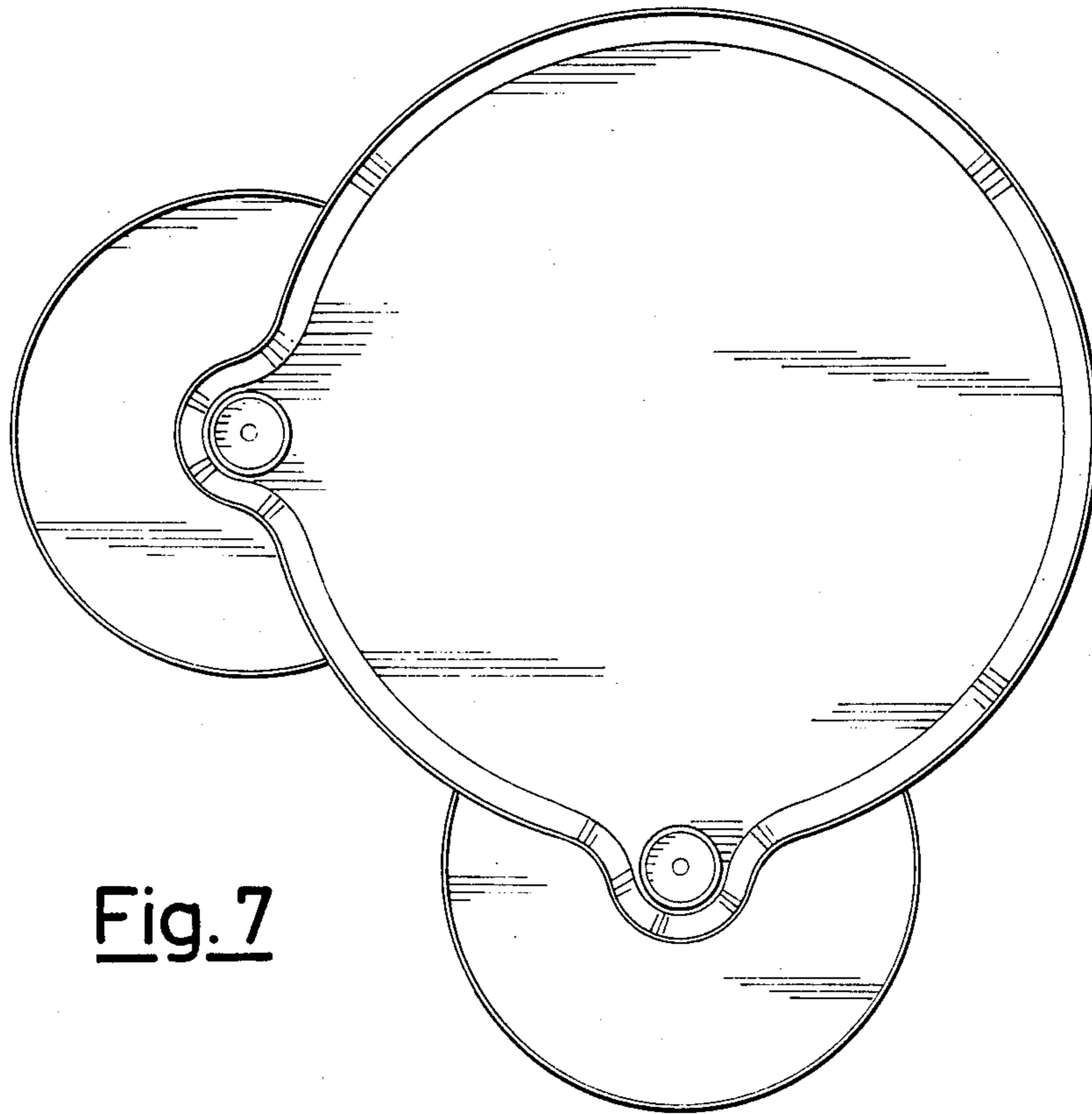
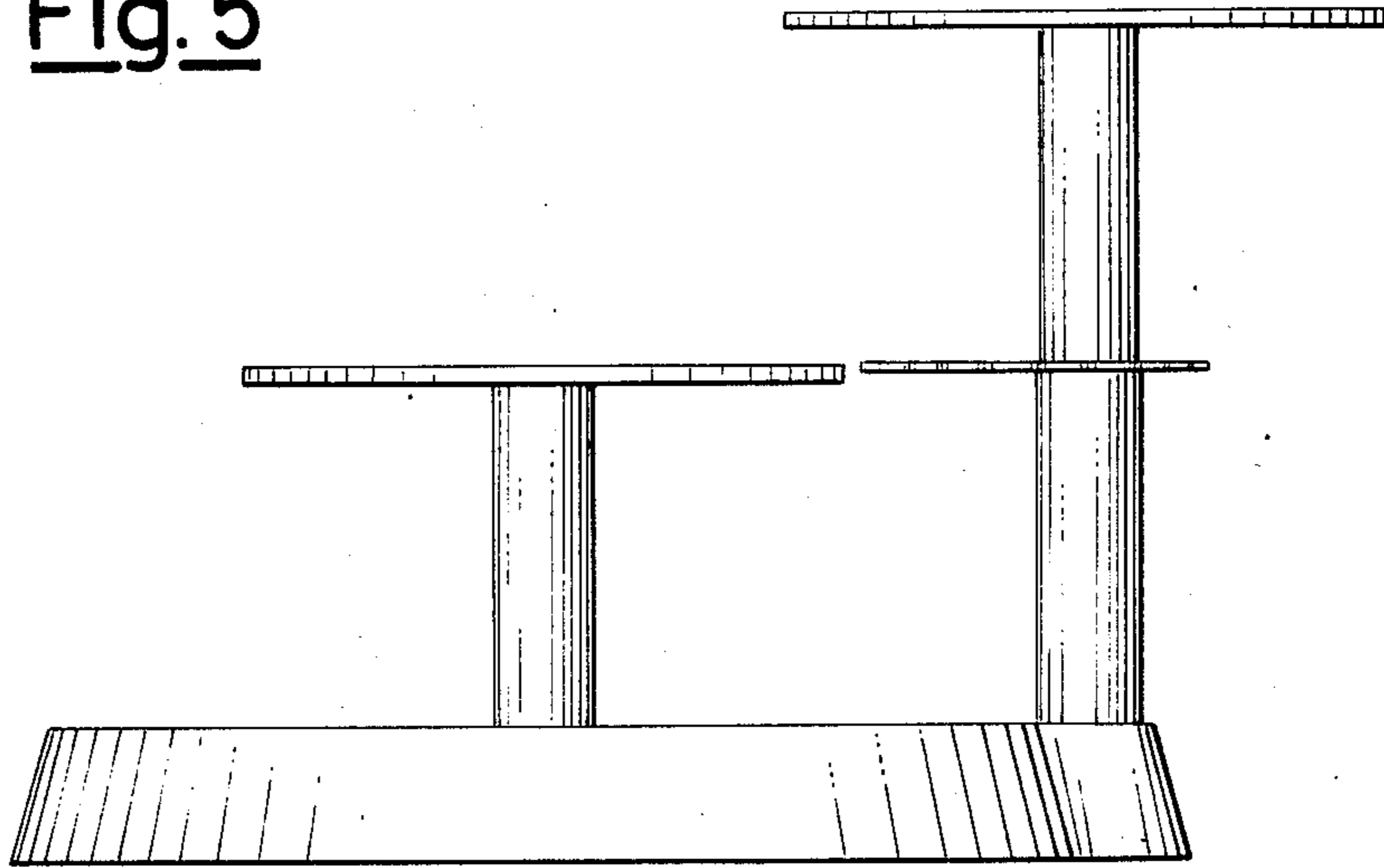


Fig. 7