

[54] PLANT HOLDER

[76] Inventor: Mary Ann Monza, 19073 Rockwood Dr., Yorba Linda, Calif. 92686

[**] Term: 14 Years

[21] Appl. No.: 899,649

[22] Filed: Aug. 25, 1986

[52] U.S. Cl. D6/403; D6/556; D26/9

[58] Field of Search D6/403, 556; D99/17, D99/19; 47/39, 41 R, 66, 300; 248/311.2, 230, 225.31, 231.7; 211/72, 74; D26/9; D11/143, 164

[56] References Cited

U.S. PATENT DOCUMENTS

- D. 198,698 7/1964 Cucullo D6/403
- D. 198,802 8/1964 Cucullo D8/403
- D. 235,467 6/1975 Wilkie, Jr. D26/9
- D. 296,089 6/1988 Pouliot D11/143

- 1,369,315 2/1921 Ankers 47/39
- 3,104,048 9/1963 Stevens 248/311.2
- 4,059,248 11/1977 Kuntz 248/225.31
- 4,638,595 1/1987 Rivero D6/403
- 4,640,045 2/1987 Nesbitt et al. 47/39
- 4,709,891 12/1987 Barnett 248/231.7

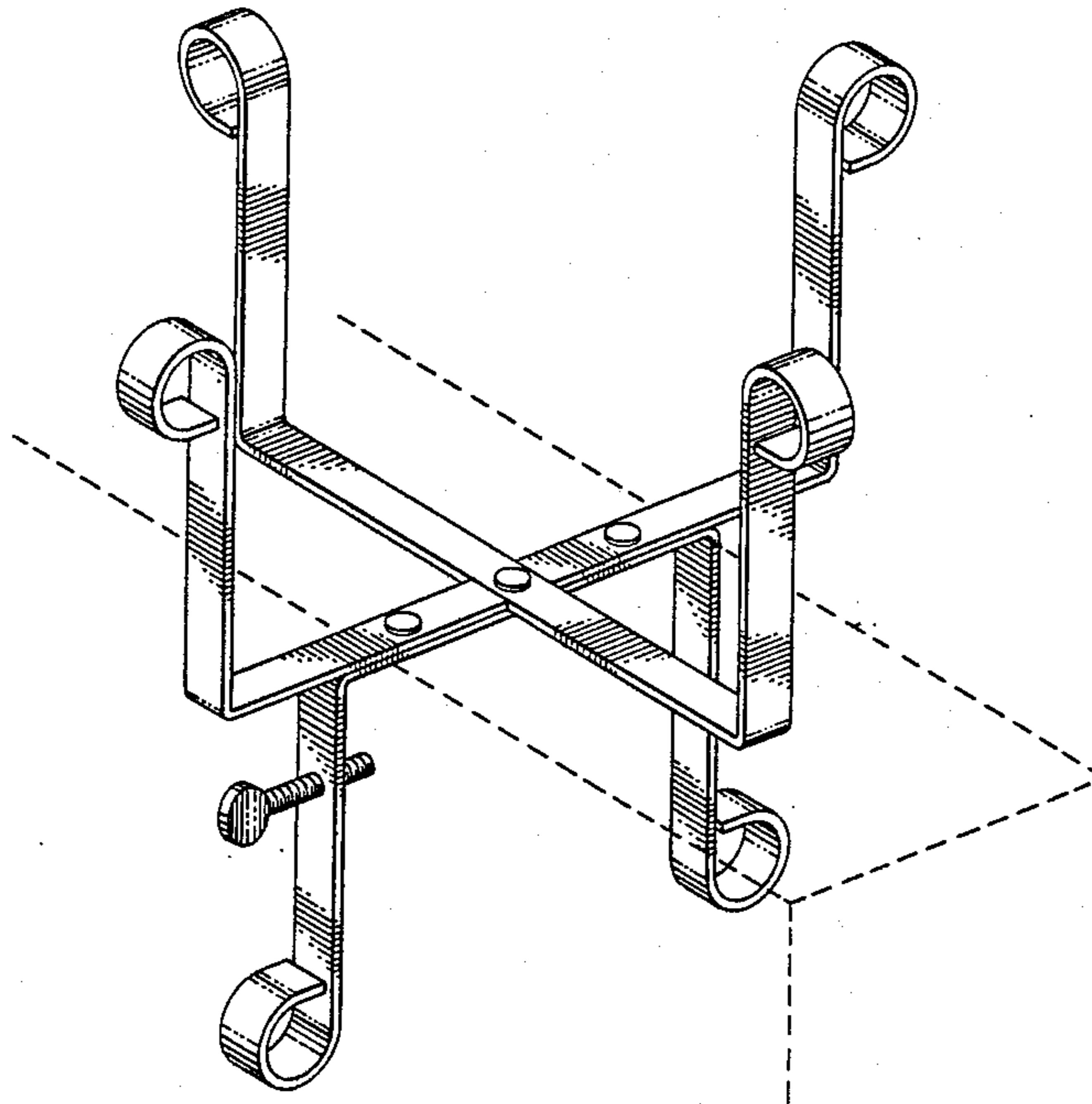
Primary Examiner—B. J. Bullock
Attorney, Agent, or Firm—Gausewitz, Carr & Rothenberg

[57] CLAIM

The ornamental design for a plant holder, substantially as shown and described.

DESCRIPTION

FIG. 1 is a top perspective view of a plant holder showing my new design, the broken line showing of a wall being for illustrative purposes only; FIG. 2 is a bottom view thereof; FIG. 3 is a front view thereof; FIG. 4 is a right side view thereof; FIG. 5 is a rear view thereof; FIG. 6 is a left side view thereof.



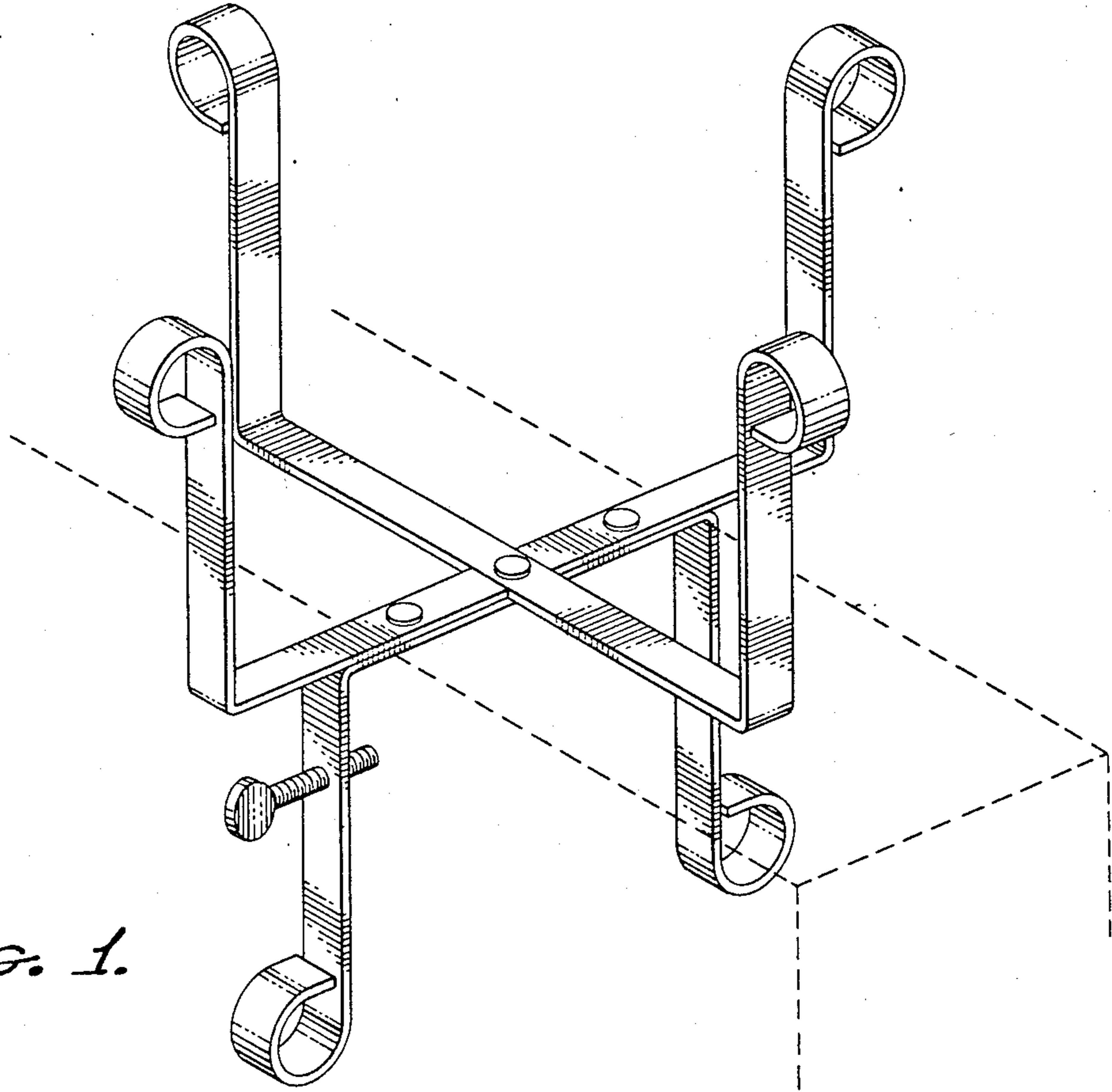


FIG. 1.

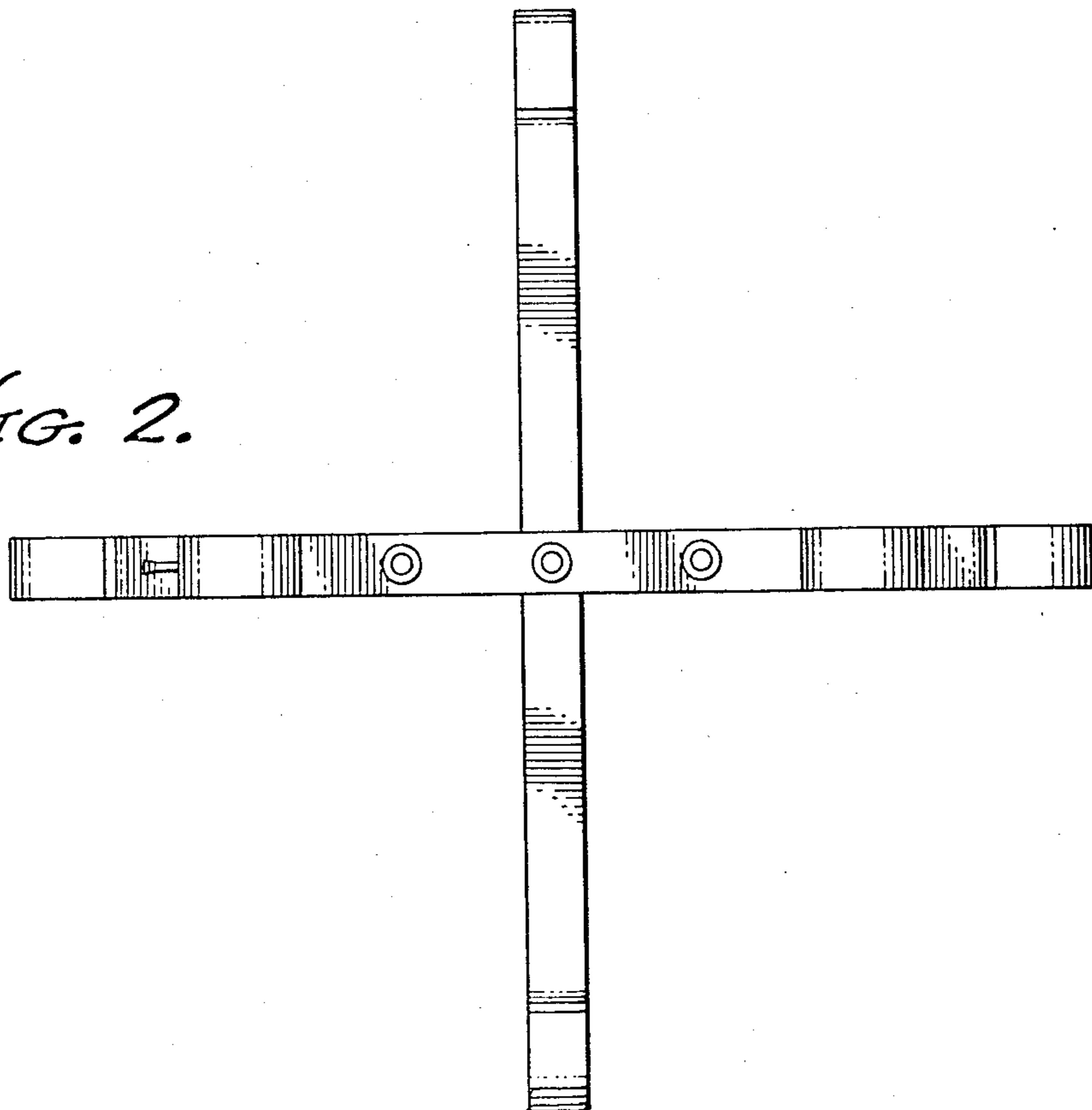


FIG. 2.

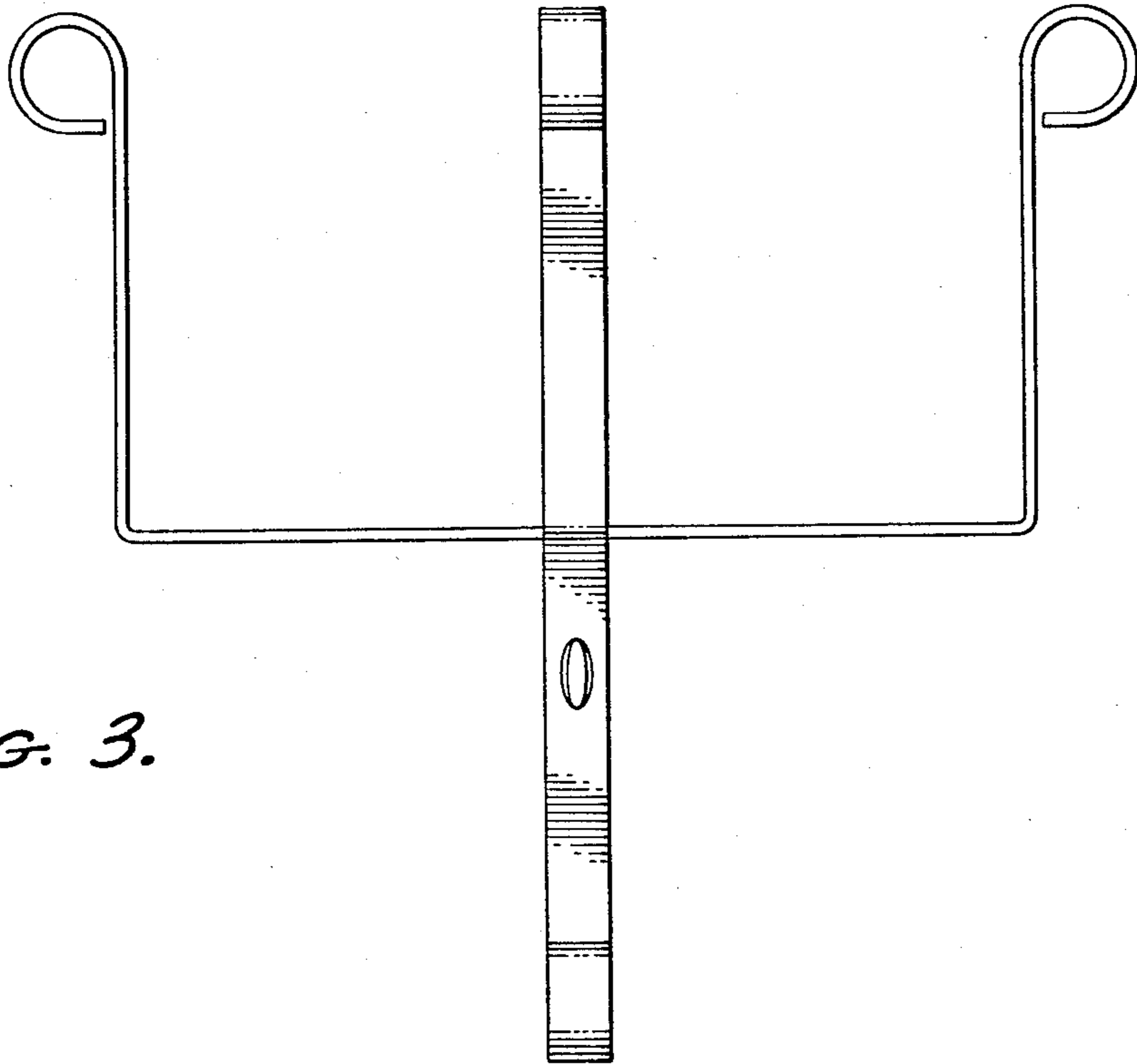


FIG. 3.

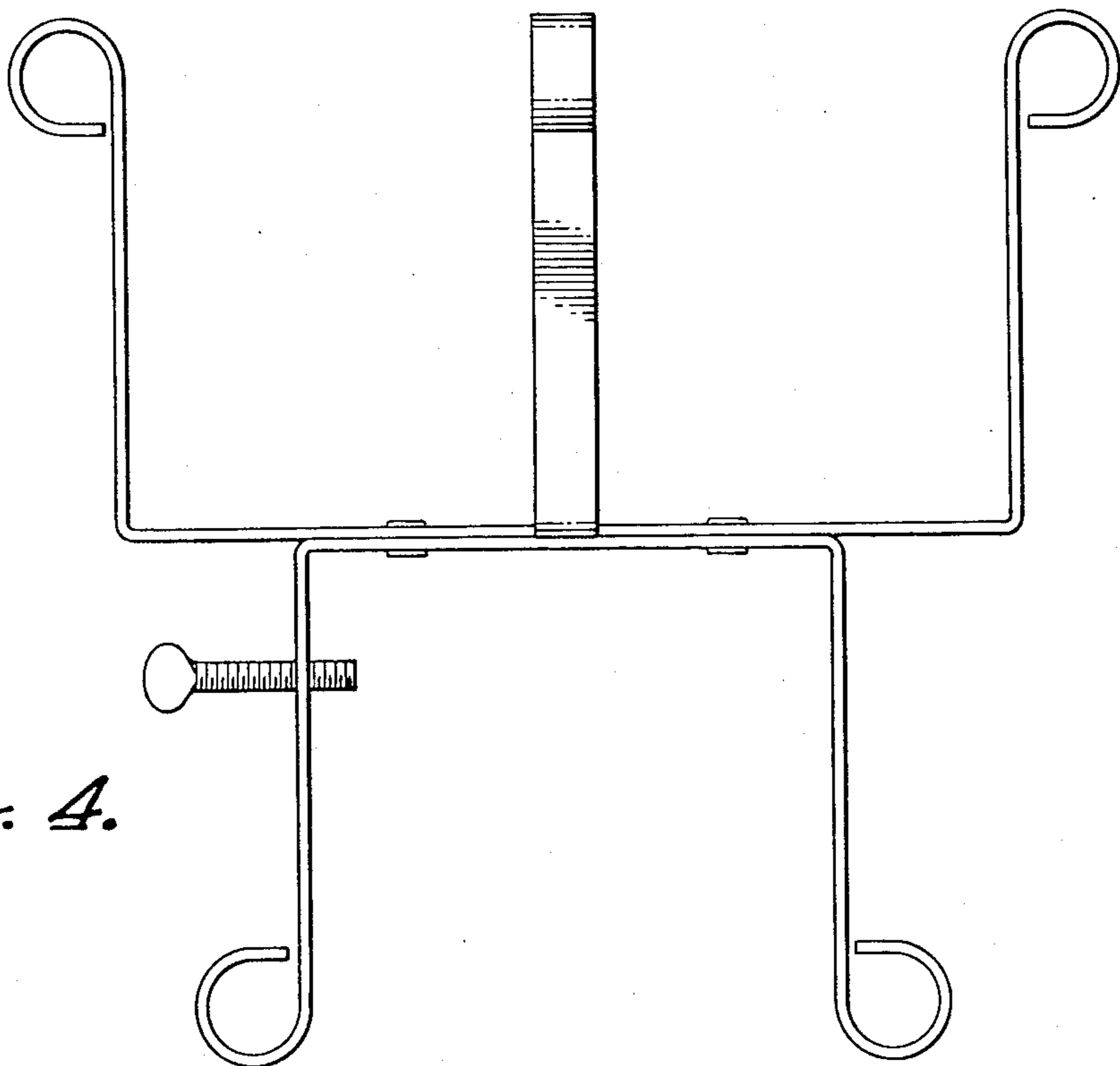


FIG. 4.

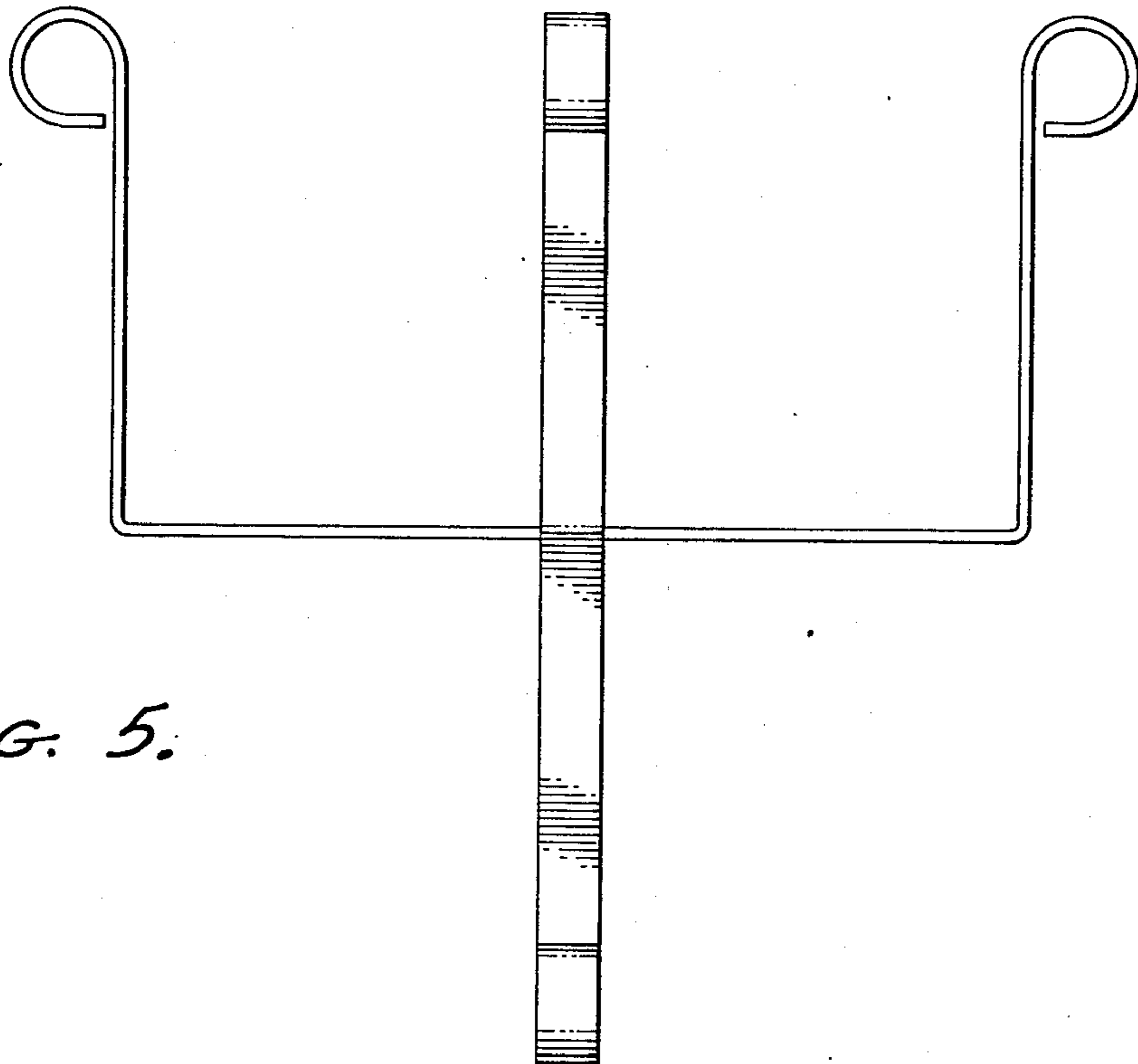


FIG. 5.

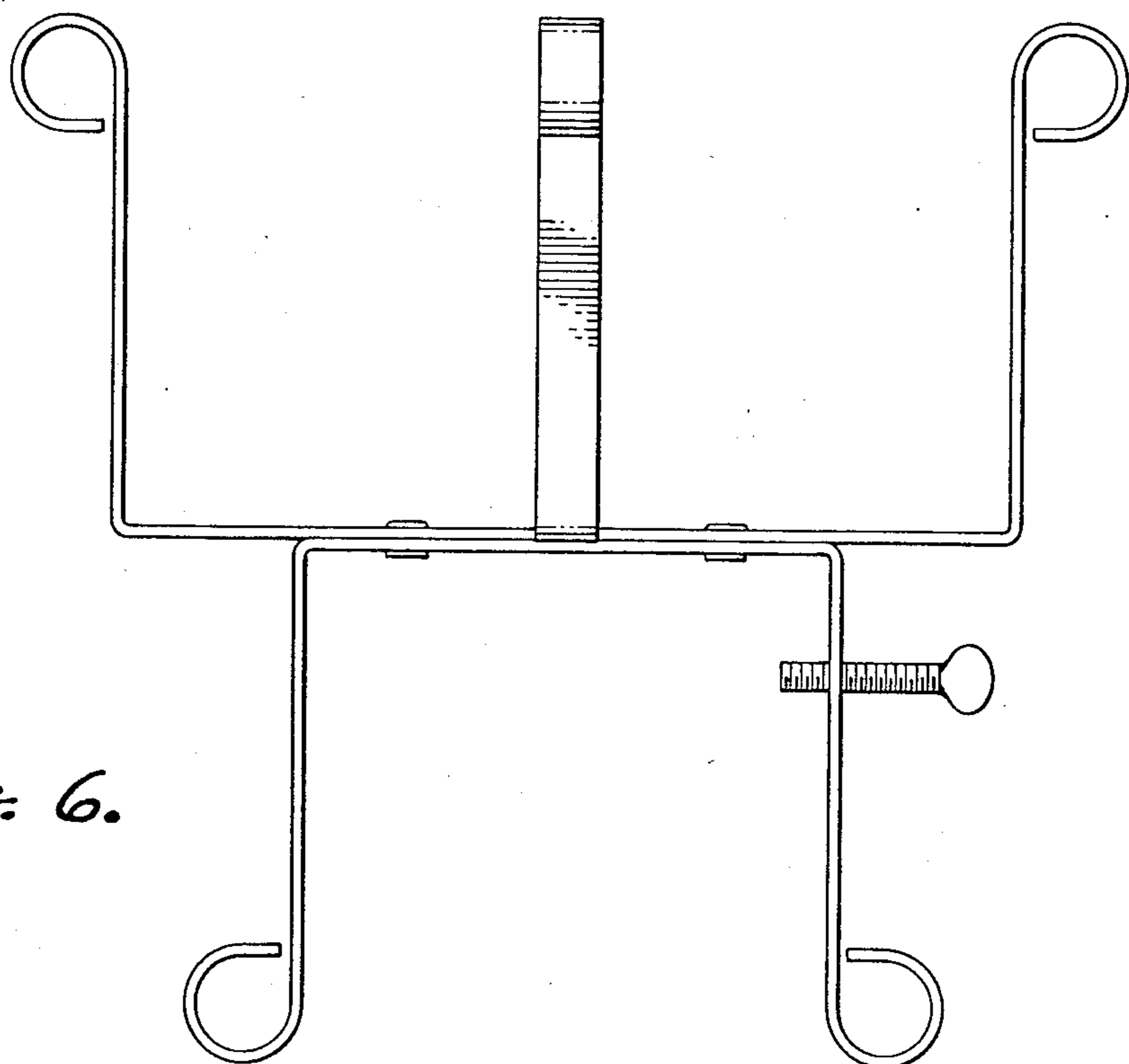


FIG. 6.