

[54] CONTAINER FOR CONTACT LENS

[57] CLAIM

[75] Inventor: Robert Martinez, Flemington, N.J.

The ornamental design for container for contact lens, as shown and described.

[73] Assignee: Vistakon, Inc., Jacksonville, Fla.

DESCRIPTION

[**] Term: 14 Years

FIG. 1 is a perspective view of a container for contact lens showing my new design;

[21] Appl. No.: 803,765

FIG. 2 is a top plan view thereof;

[22] Filed: Nov. 4, 1985

FIG. 3 is a left side elevational view thereof;

[52] U.S. Cl. D3/34; D9/415

FIG. 4 is a bottom plan view thereof;

[58] Field of Search D3/34; 206/5, 5.1; D9/424-429, 415

FIG. 5 is a front elevational view thereof;

FIG. 6 is a rear elevational view thereof;

FIG. 7 is a perspective view of a second embodiment of that shown in FIG. 1;

[56] References Cited

U.S. PATENT DOCUMENTS

- D. 220,086 3/1971 Benech D9/415
- D. 273,765 5/1984 Cillario D9/425 X
- 3,394,717 7/1968 Hollinger 206/5.1 X

FIG. 8 is a top plan view thereof;

FIG. 9 is a left side elevational view thereof;

FIG. 10 is a bottom plan view thereof;

FIG. 11 is a front elevational view thereof;

FIG. 12 is a rear elevational view thereof;

FIG. 13 is a perspective view of a third embodiment of that shown in FIG. 1;

FIG. 14 is a top plan view thereof;

FIG. 15 is a left side elevational view thereof;

FIG. 16 is a bottom plan view thereof;

FIG. 17 is a front elevational view thereof; and

FIG. 18 is a rear elevational view thereof.

Primary Examiner—Bernard Ansher
Assistant Examiner—Terry Pfeffer
Attorney, Agent, or Firm—Donal B. Tobin

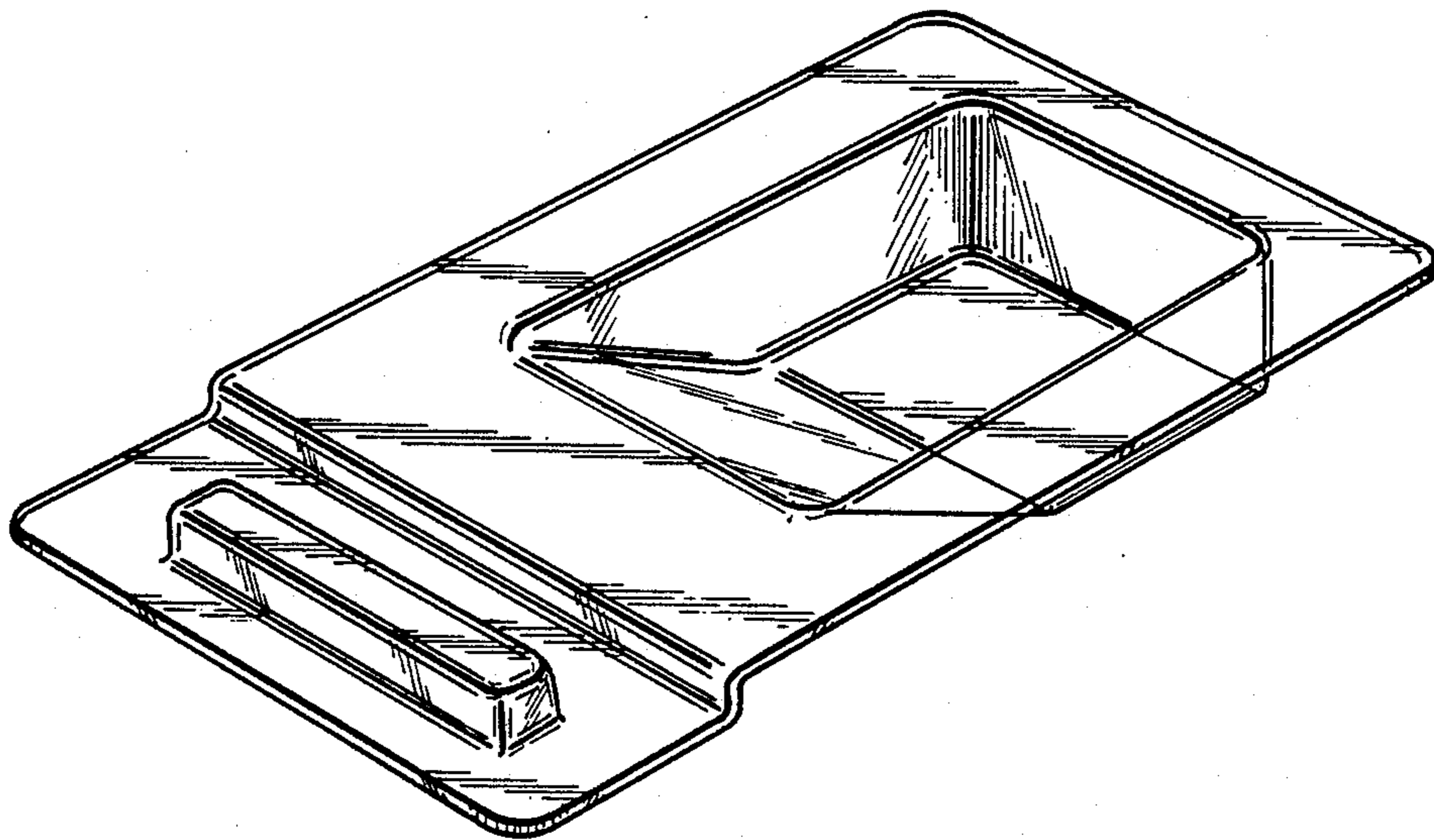


FIG-1

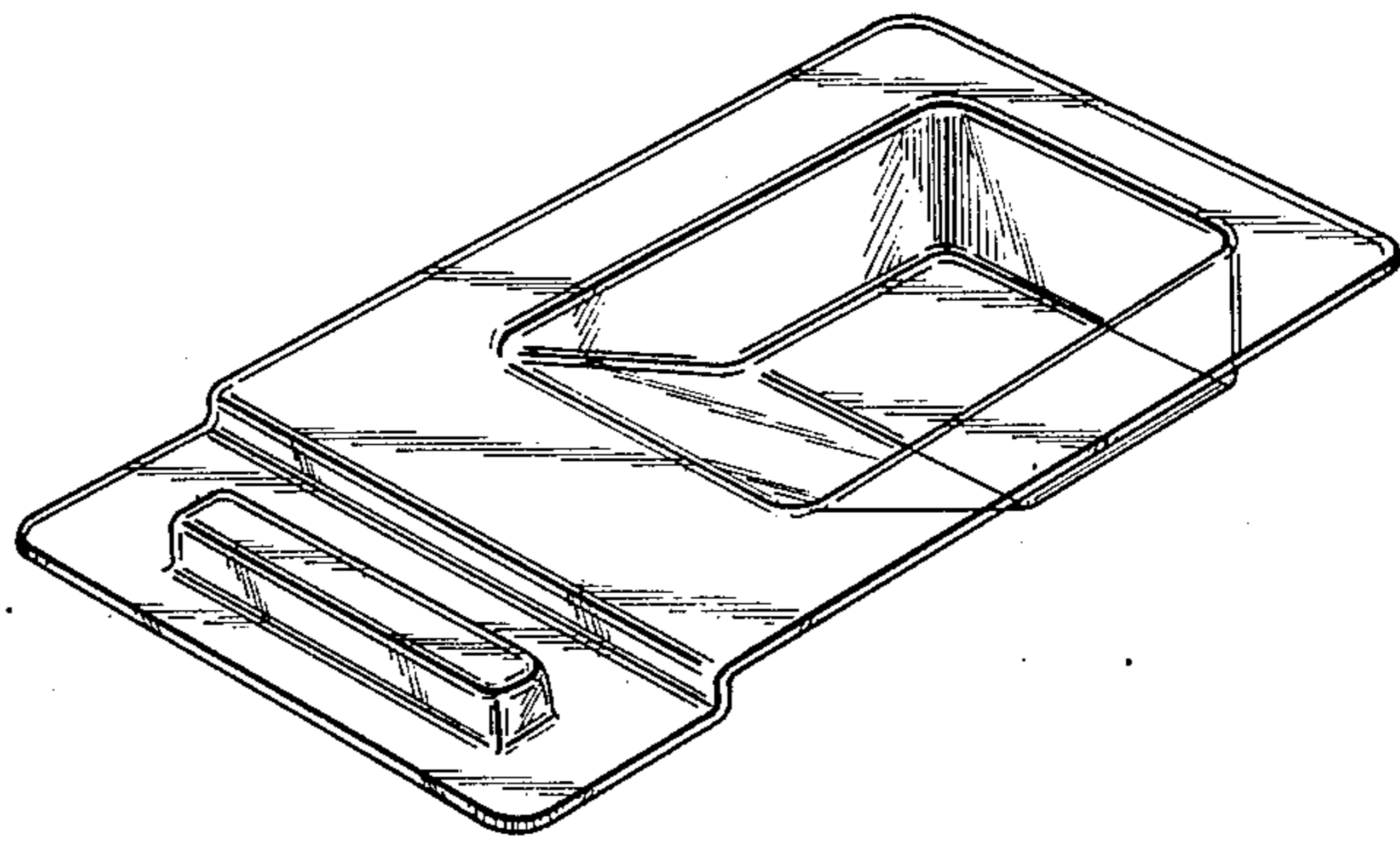


FIG-2

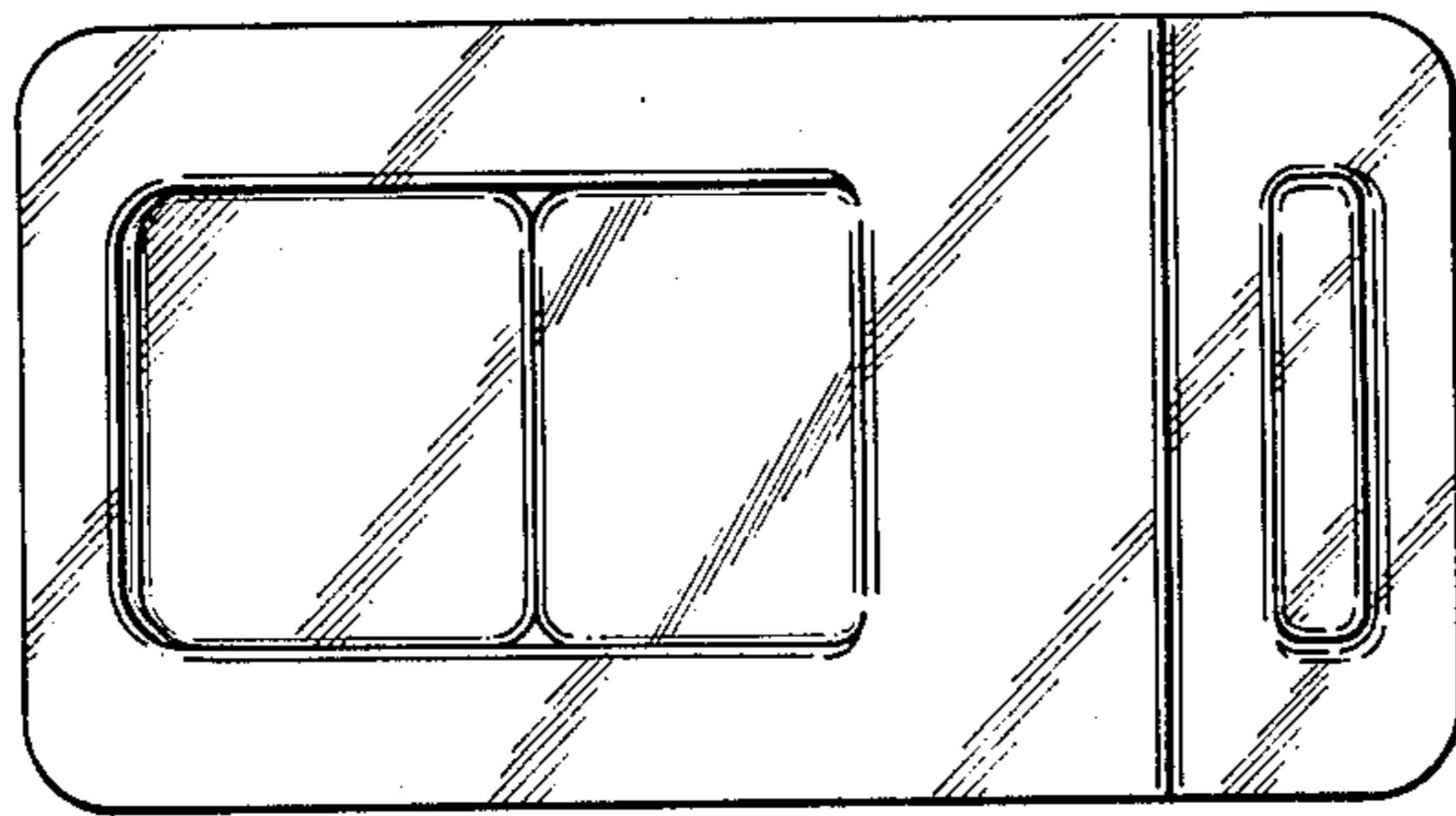


FIG-3

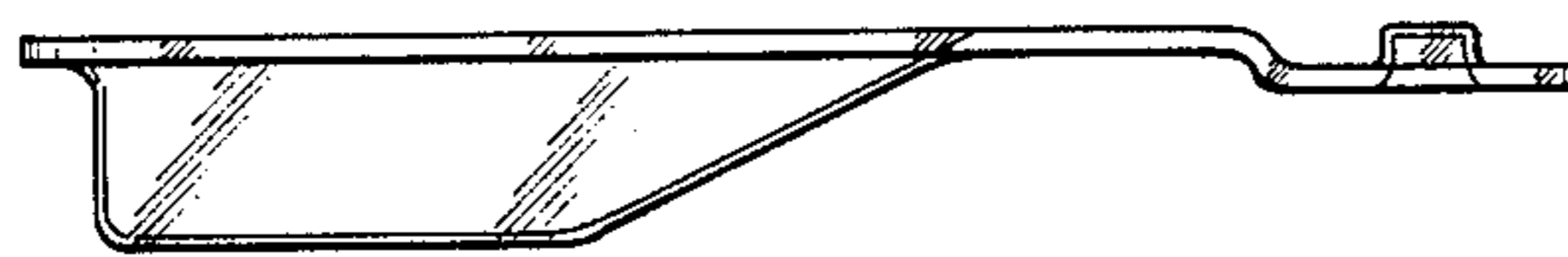


FIG-4

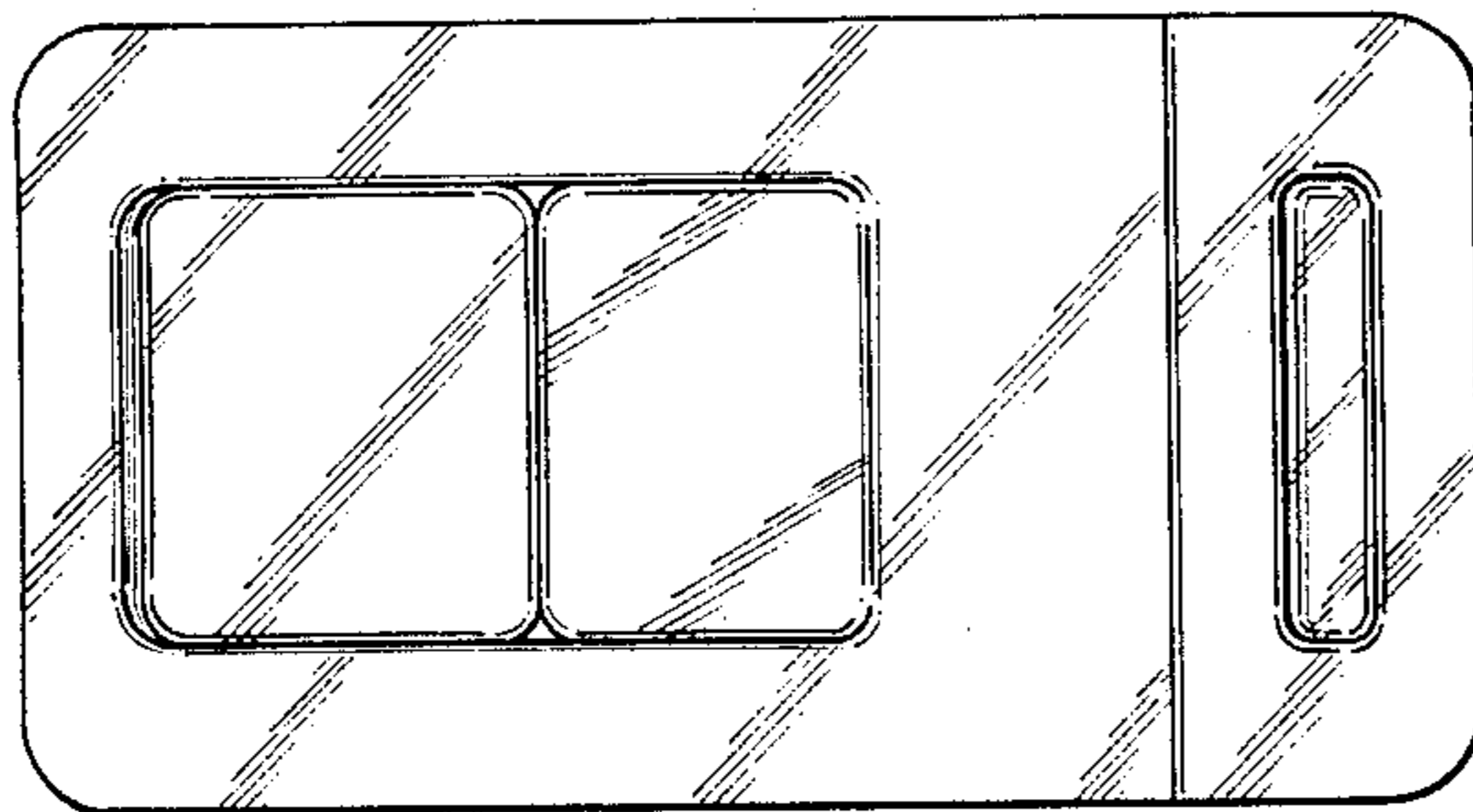


FIG-5



FIG-6

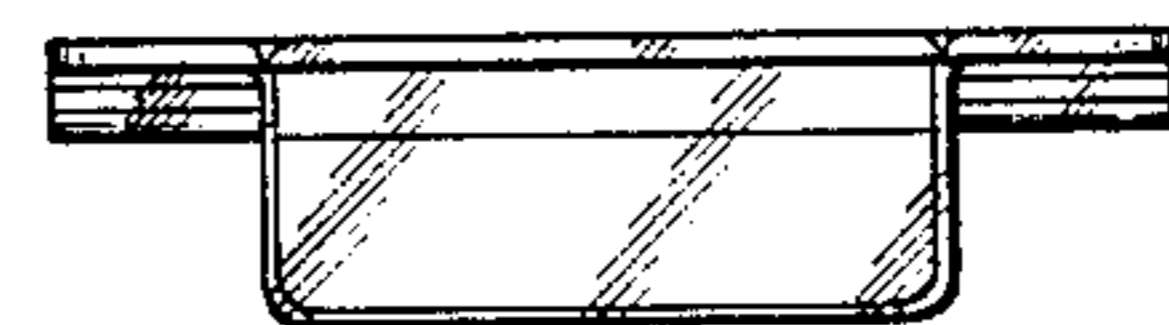


FIG-7

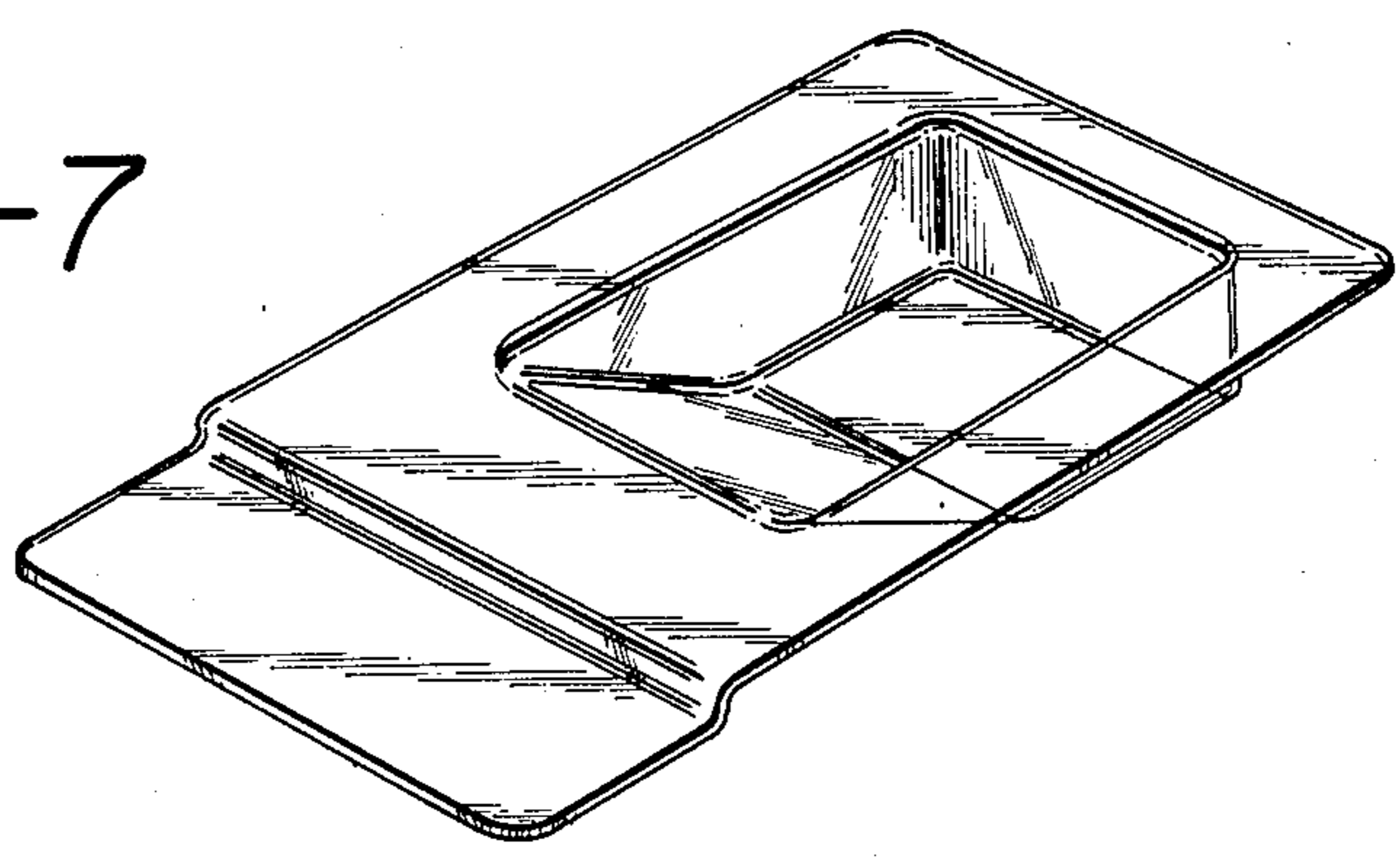


FIG-8

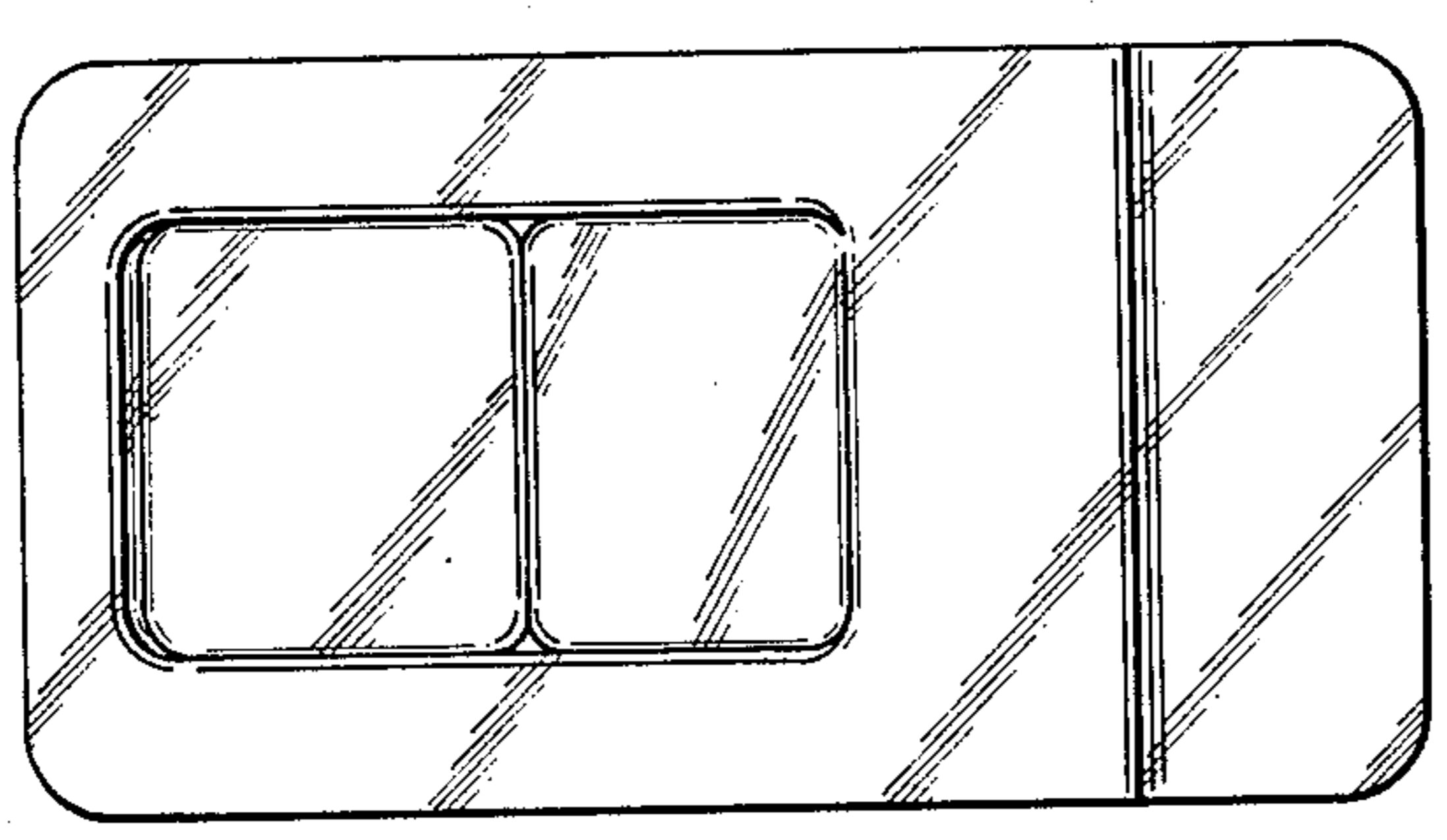


FIG-9



FIG-10

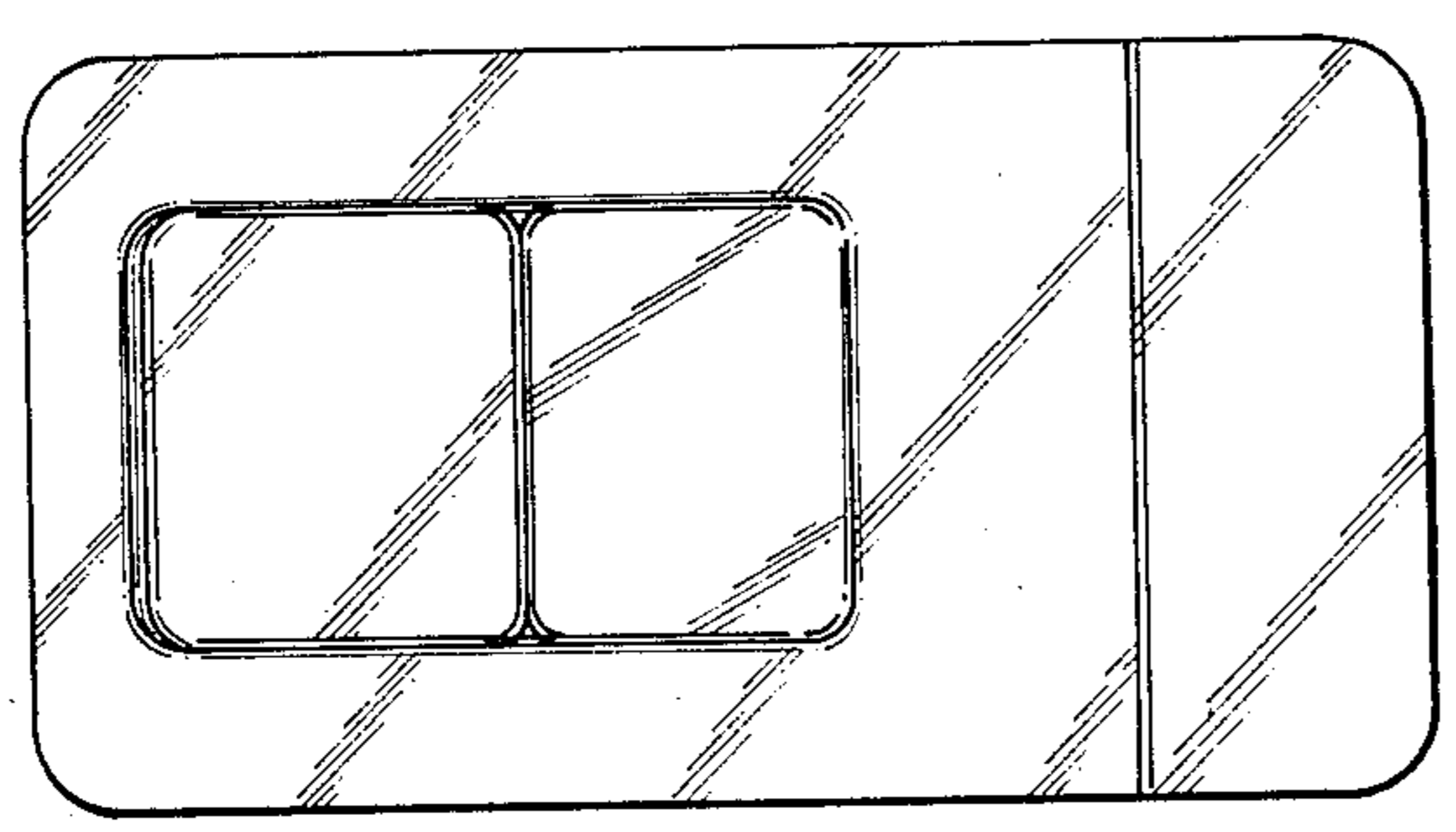


FIG-11



FIG-12

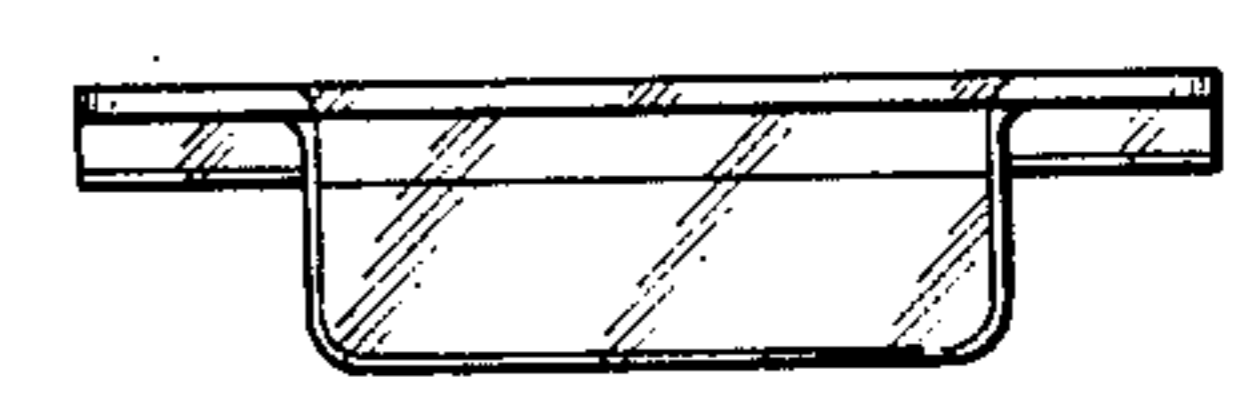


FIG-13

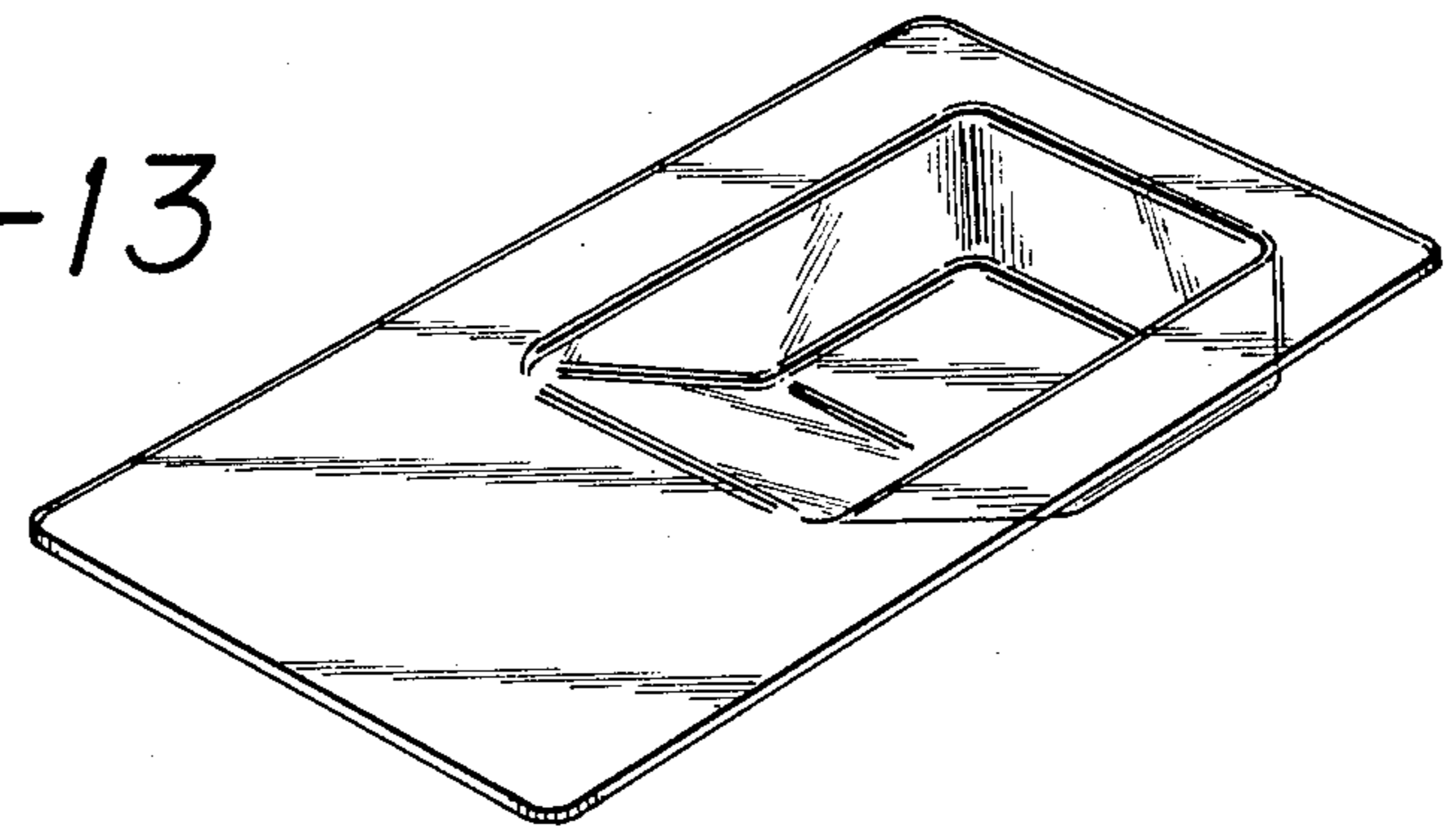


FIG-14

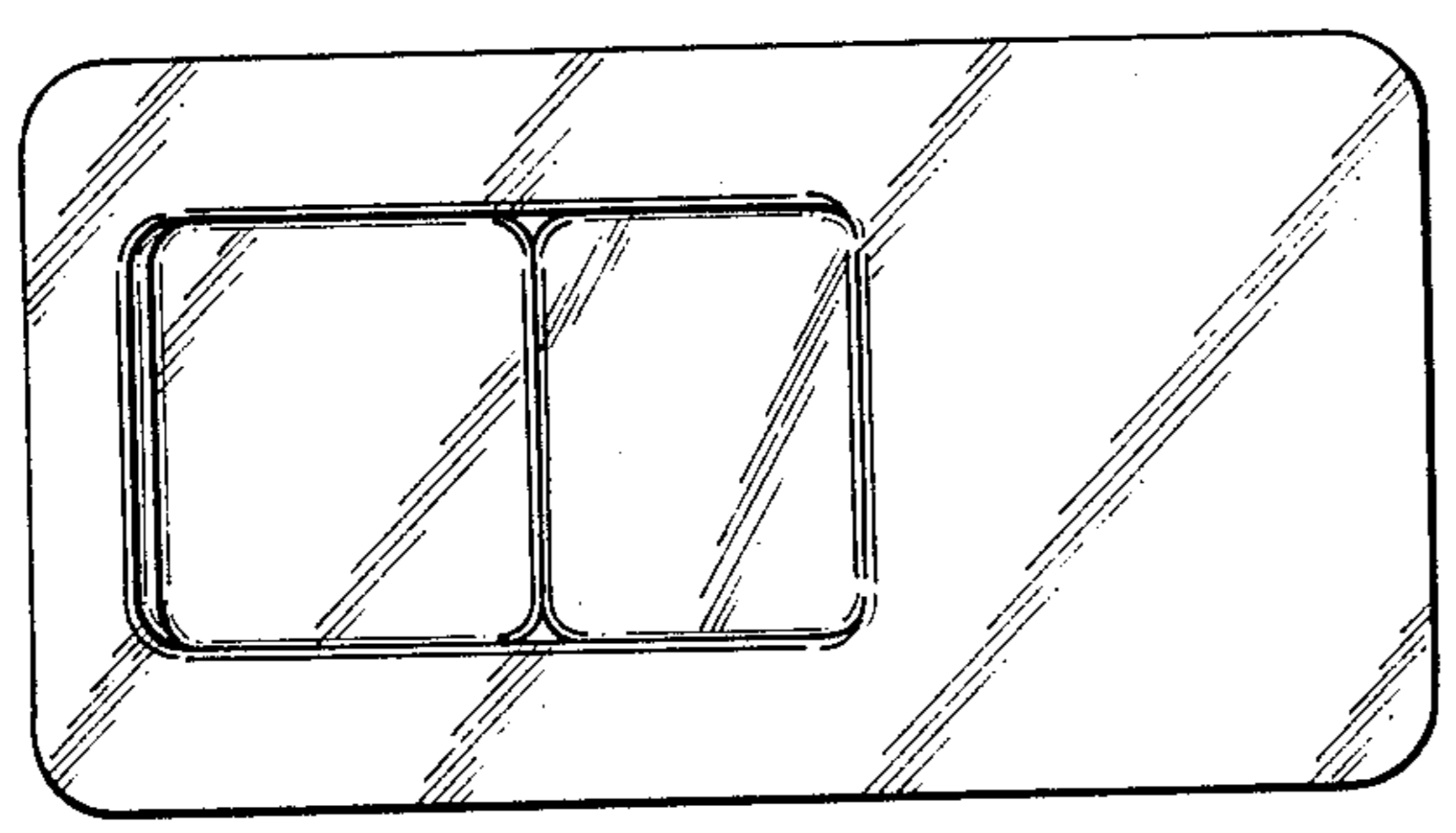


FIG-15



FIG-16

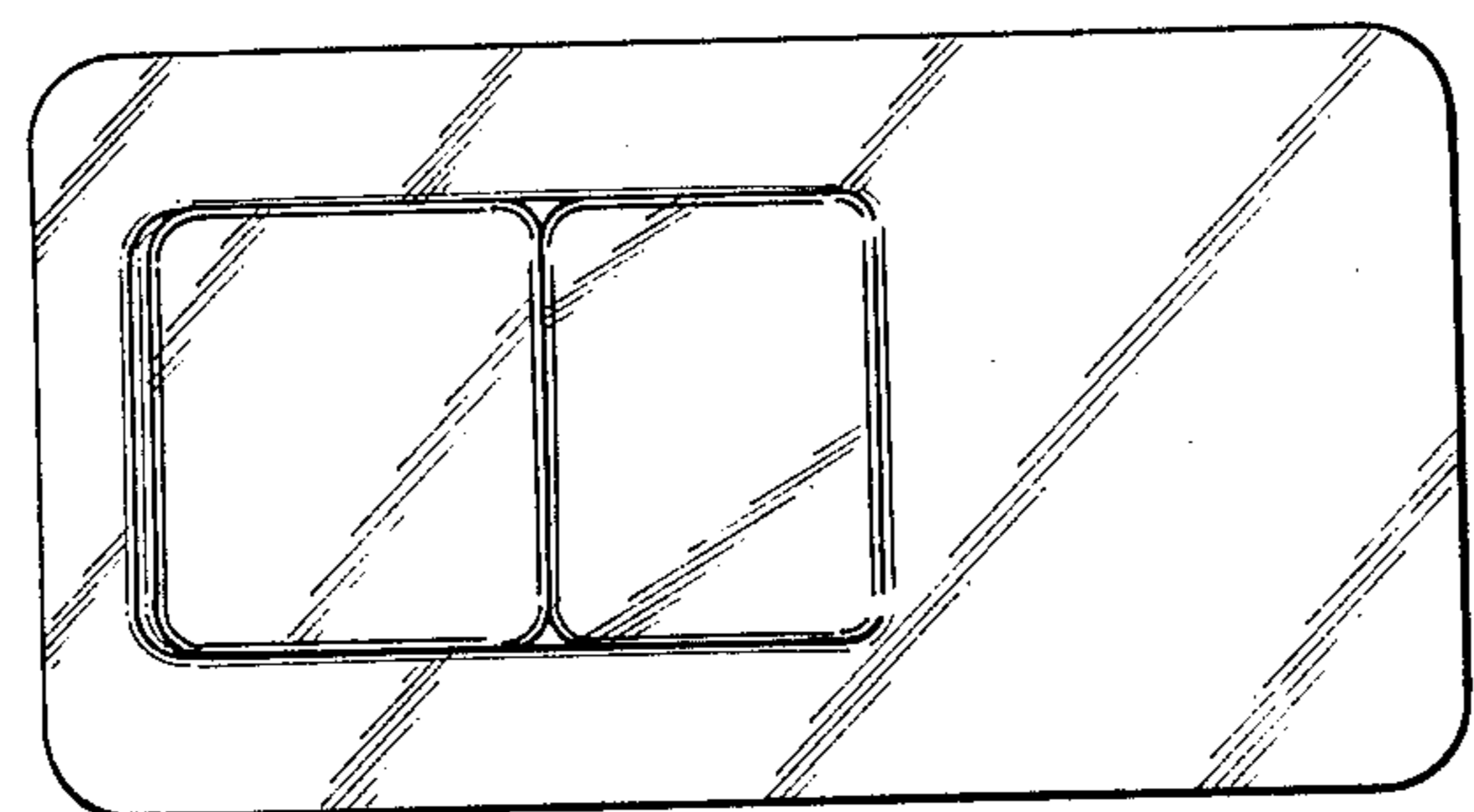


FIG-17

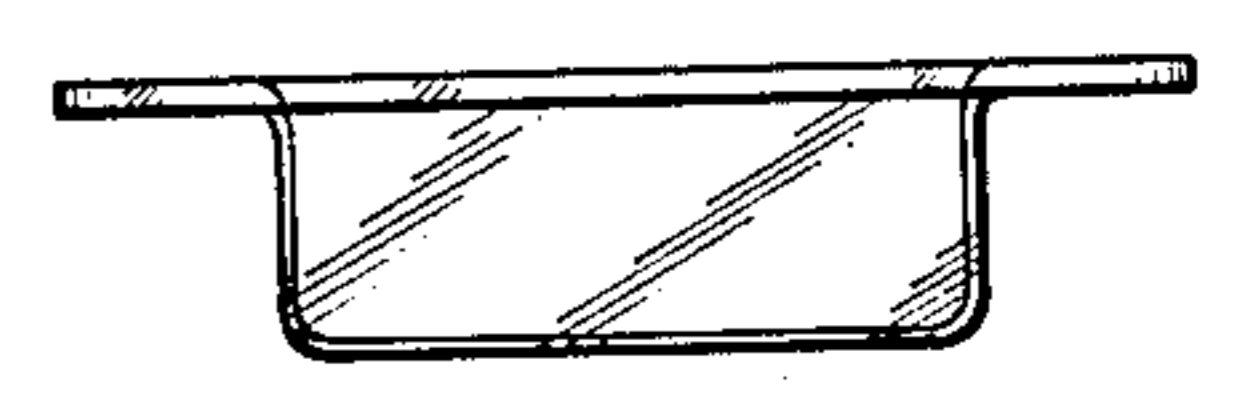


FIG-18

