

[54] EMBOSSED TELESCOPIC CRANE BOOM

[75] Inventor: Vincent Bernabe, Jr., Newville, Pa.

[73] Assignee: Kidde, Inc., Saddle Brook, N.J.

[**] Term: 14 Years

[21] Appl. No.: 827,099

[22] Filed: Feb. 7, 1986

[52] U.S. Cl. D34/36; D12/15

[58] Field of Search D34/36; 414/718; 212/160, 164, 231; 52/632, 634, 636; D12/15

[56] References Cited

U.S. PATENT DOCUMENTS

D. 231,205	4/1974	Spain	D34/36
D. 239,097	3/1976	Gardenhour	D34/36
D. 240,719	7/1976	Gardenhour	D34/36
2,984,373	5/1961	Przybylski	414/718
4,003,168	1/1977	Brady	D34/36
4,016,688	4/1977	Tiffin et al.	414/718
4,027,448	6/1977	Tymcturak	52/632
4,337,601	7/1982	Vaerk et al.	52/632

Primary Examiner—Wallace R. Burke

Assistant Examiner—Kay H. Chin

Attorney, Agent, or Firm—Brady, O'Boyle & Gates

[57] CLAIM

The ornamental design for an embossed telescopic crane boom, as shown and described.

DESCRIPTION

FIG. 1 is a perspective view of an embossed telescopic crane boom showing my new design, the view showing the front, the bottom, and one side thereof in retracted position;

FIG. 2 is a top plan view thereof on a reduced scale;

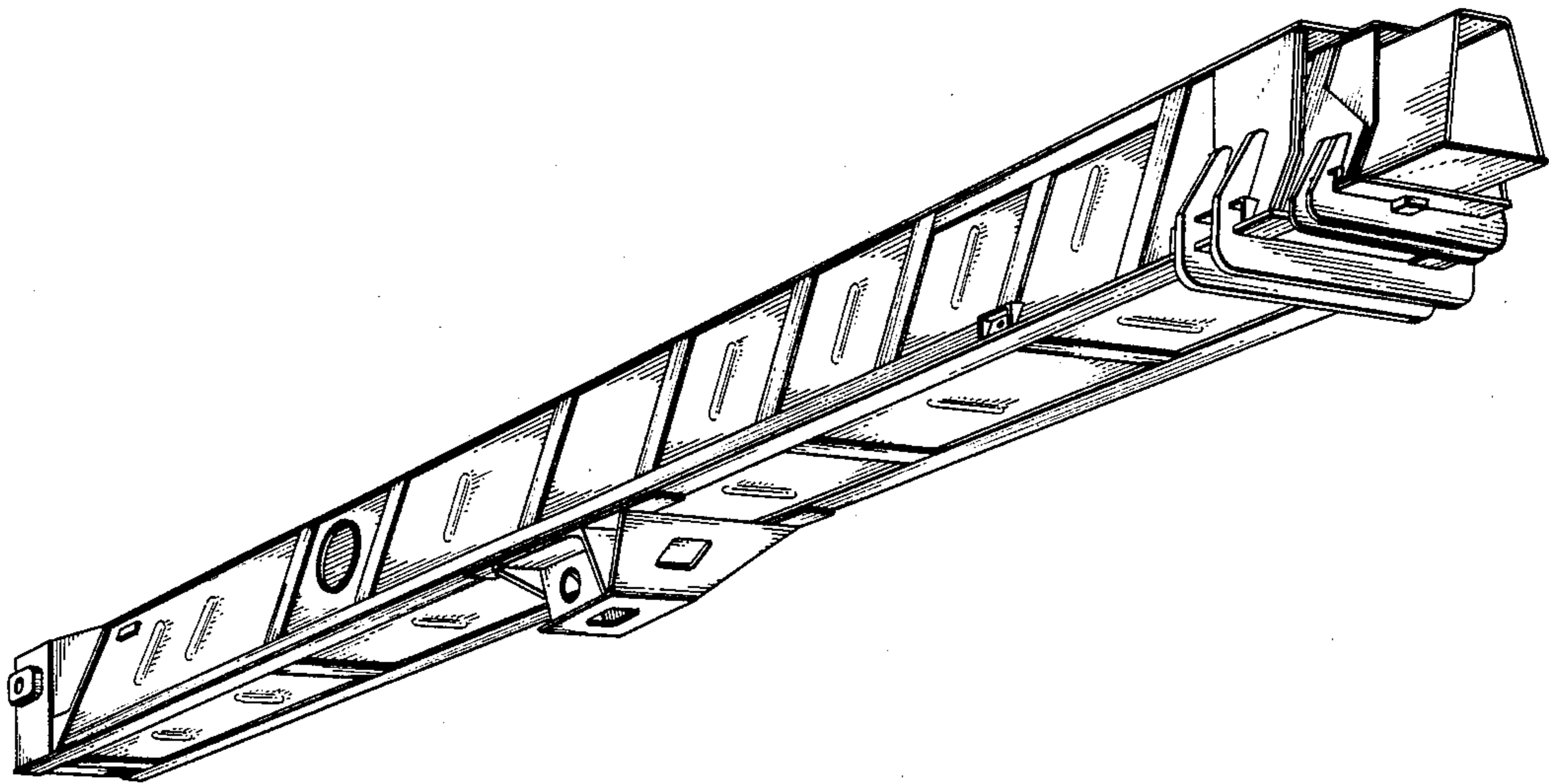
FIG. 3 is a side elevational view, on a reduced scale, showing the opposite side thereof;

FIG. 4 is a bottom plan view thereof, on a reduced scale;

FIG. 5 is a front elevational view thereof on an enlarged scale;

FIG. 6 is a rear elevational view thereof on an enlarged scale;

FIG. 7 is a cross-sectional view thereof on an enlarged scale taken substantially on the line 7—7 of FIG. 3; and FIGS. 8A, 8B and 8C laid end to end to the indicated match lines comprise a side elevational view on the same scale and of the side thereof shown in FIG. 3, and showing the embossed telescopic crane boom in extended position, the opposite side being a mirror image thereof.



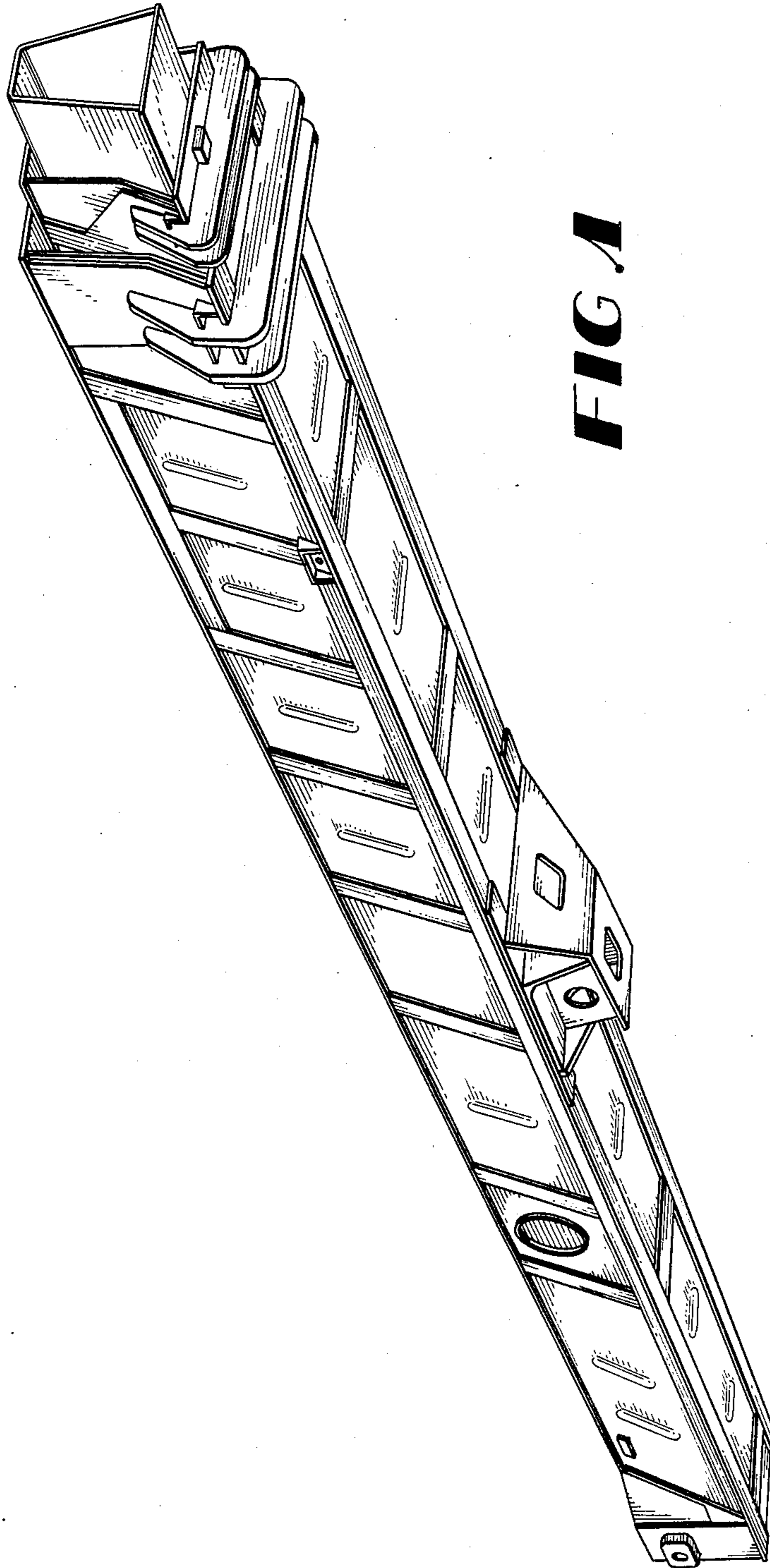


FIG. 1

MATCH LINE TO FIGURE 8B

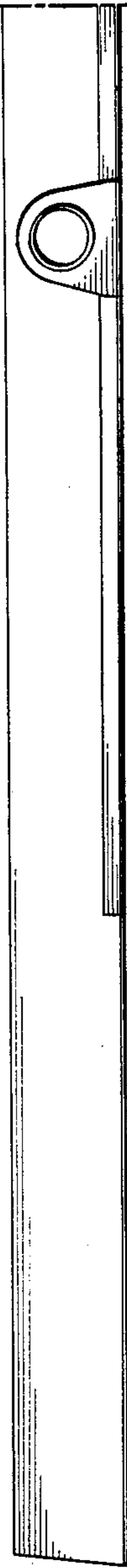


FIG. 8A

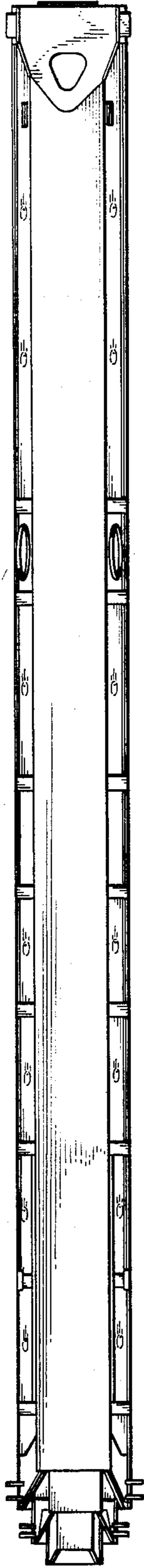


FIG 2

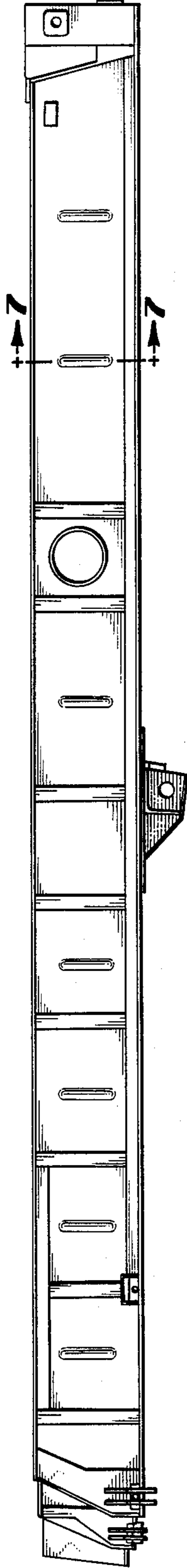


FIG 3

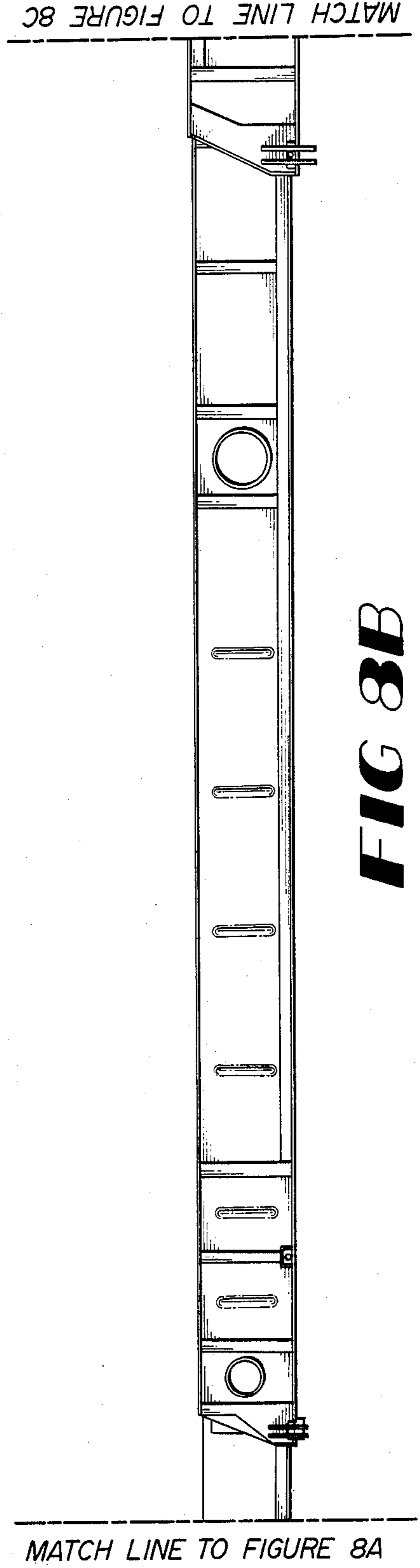


FIG 8B

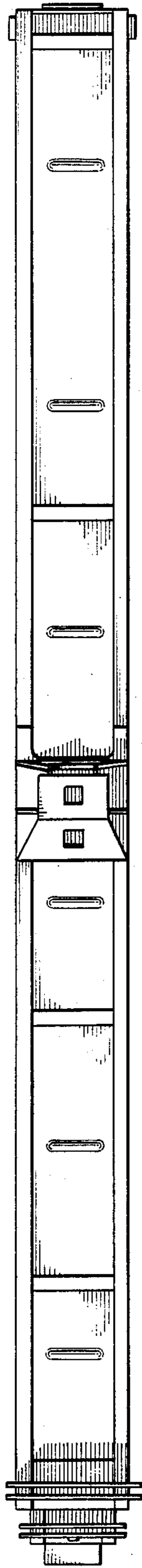


FIG 4

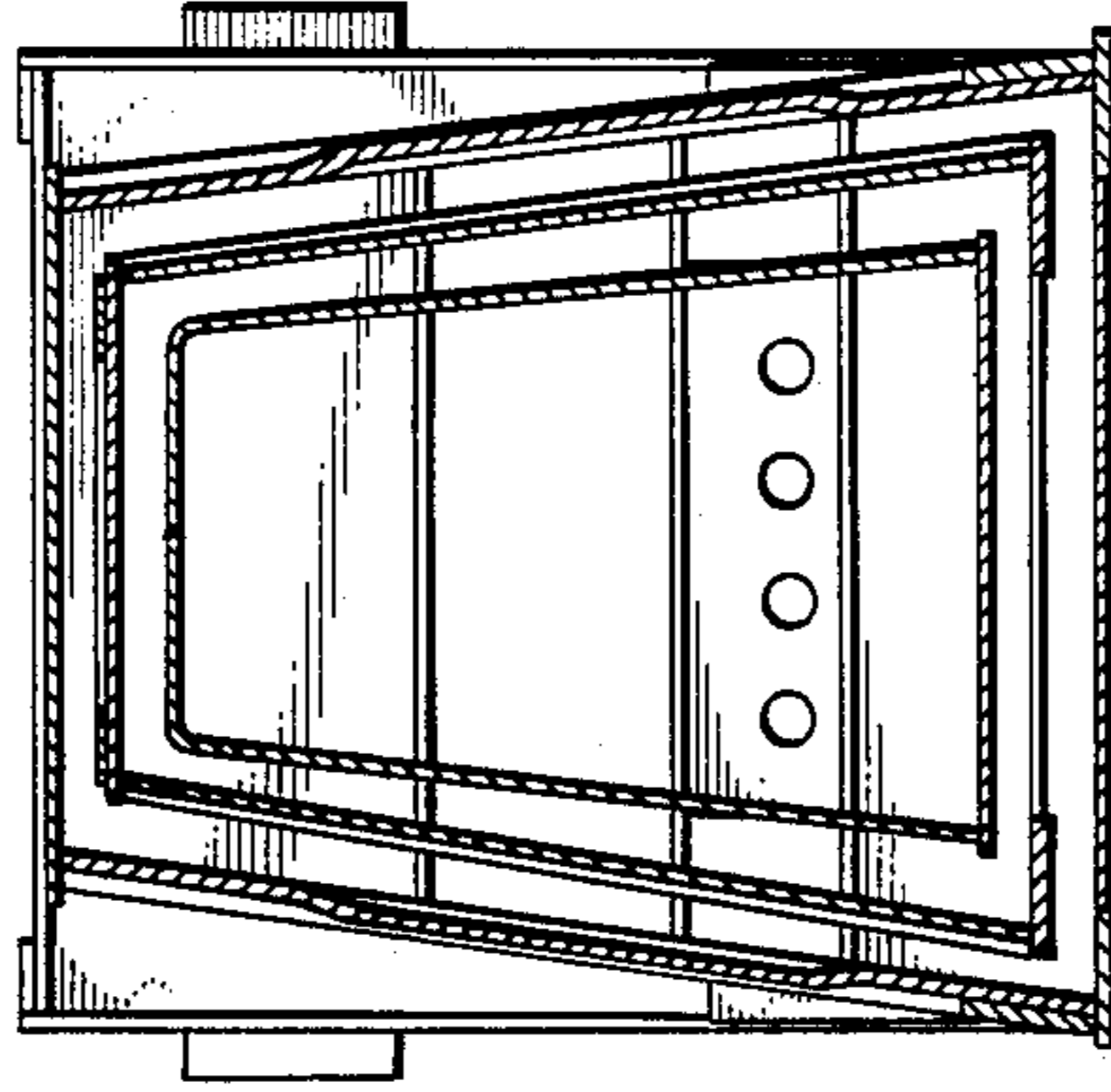


FIG 6

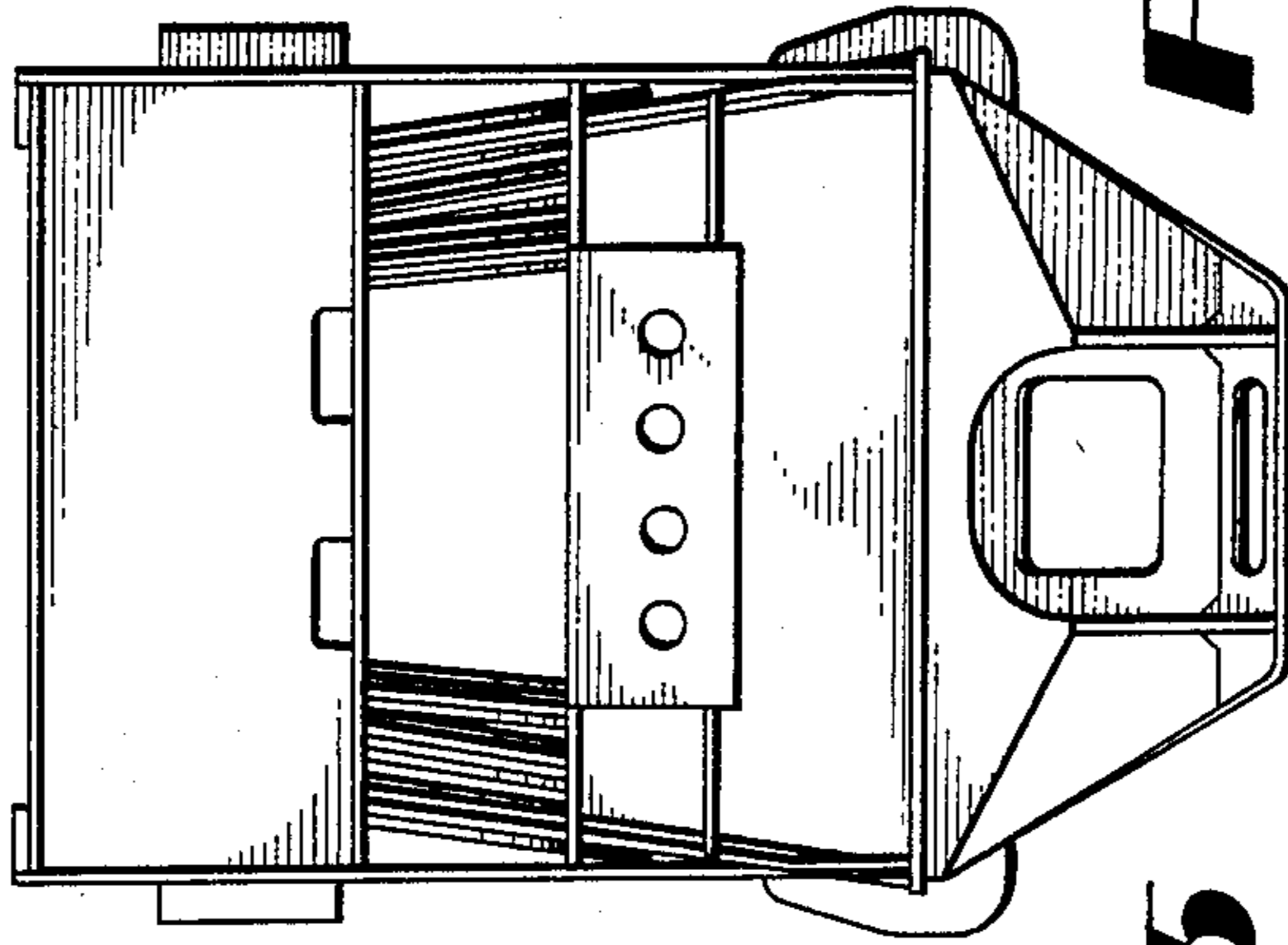


FIG 5

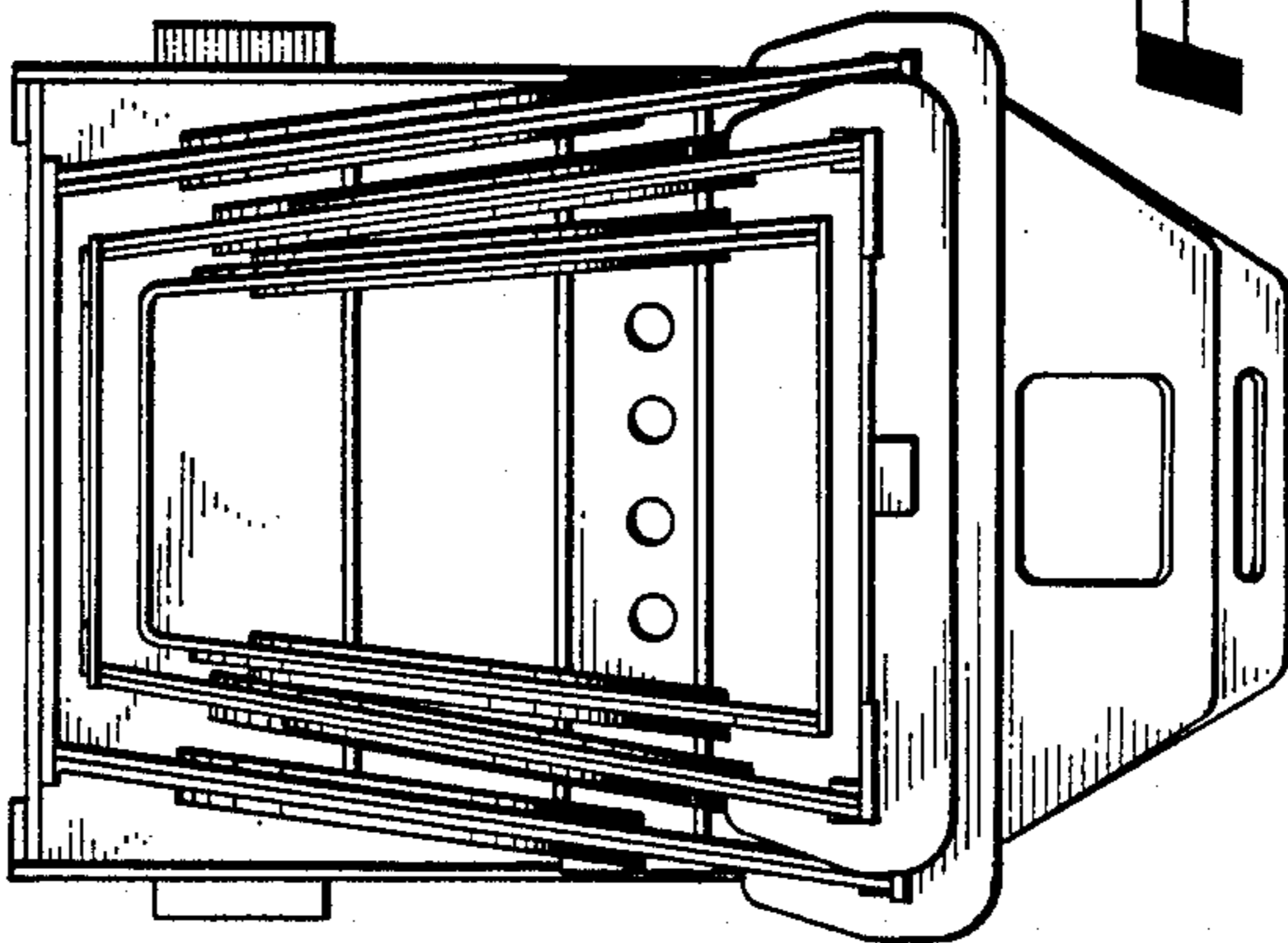


FIG 7

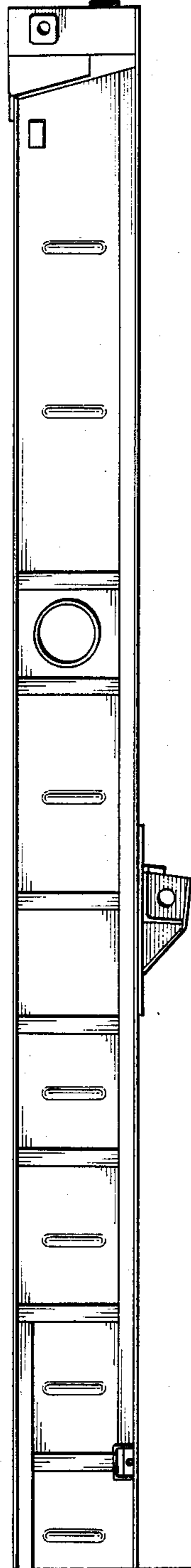


FIG 8C

MATCH LINE TO FIGURE 8B