

[54] **RAIL HOLDER FOR CONVEYORS**

FOREIGN PATENT DOCUMENTS

[75] **Inventors: Goran Abbestam, Goteborg; Leif Lachonius, Surte, both of Sweden**

48524 3/1982 European Pat. Off. 198/836

[73] **Assignee: Aktiebolaget SKF, Sweden**

Primary Examiner—Wallace R. Burke
Assistant Examiner—Kay H. Chin
Attorney, Agent, or Firm—Eugene E. Renz, Jr.

[**] **Term: 14 Years**

[57] **CLAIM**

[21] **Appl. No.: 929,664**

The ornamental design for a rail holder for conveyors, as shown and described.

[22] **Filed: Nov. 12, 1986**

DESCRIPTION

[52] **U.S. Cl. D34/29**

[58] **Field of Search D34/28, 29; 198/836; 248/251**

FIG. 1 is a perspective view of a rail holder for conveyors showing my new design;
FIG. 2 is an another perspective view thereof;
FIG. 3 is a side elevational view thereof, the opposite side elevational view being a mirror image of that shown;
FIG. 4 is a front elevational view thereof;
FIG. 5 is a rear elevational view thereof;
FIG. 6 is a top plan view thereof; and
FIG. 7 is a bottom plan view thereof.

[56] **References Cited**

U.S. PATENT DOCUMENTS

D. 262,695	1/1982	Di Rosa	D34/29
4,502,594	3/1985	Sijbrandij	198/836
4,535,963	8/1985	Lachonius	248/251

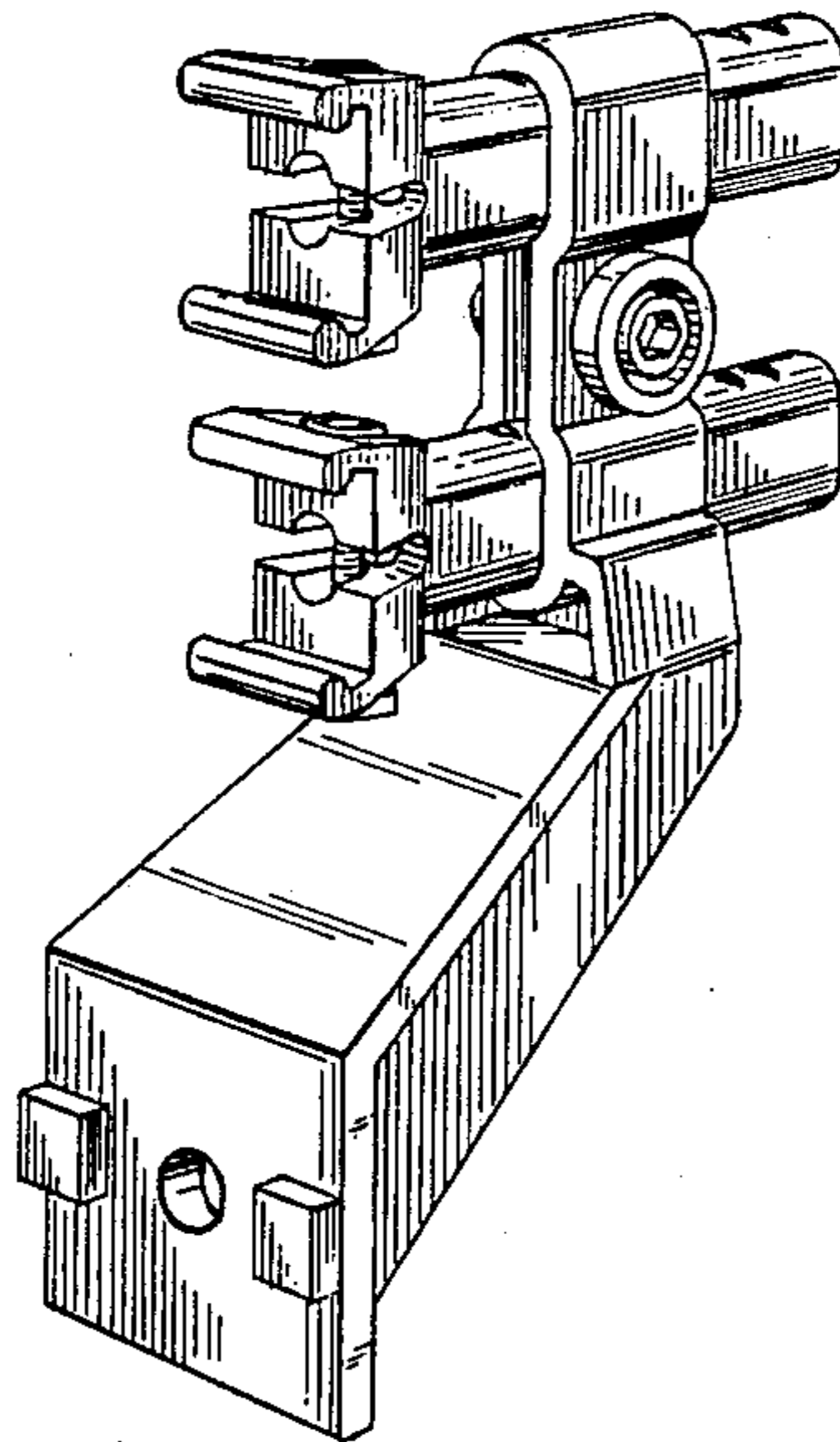


Fig. 1.

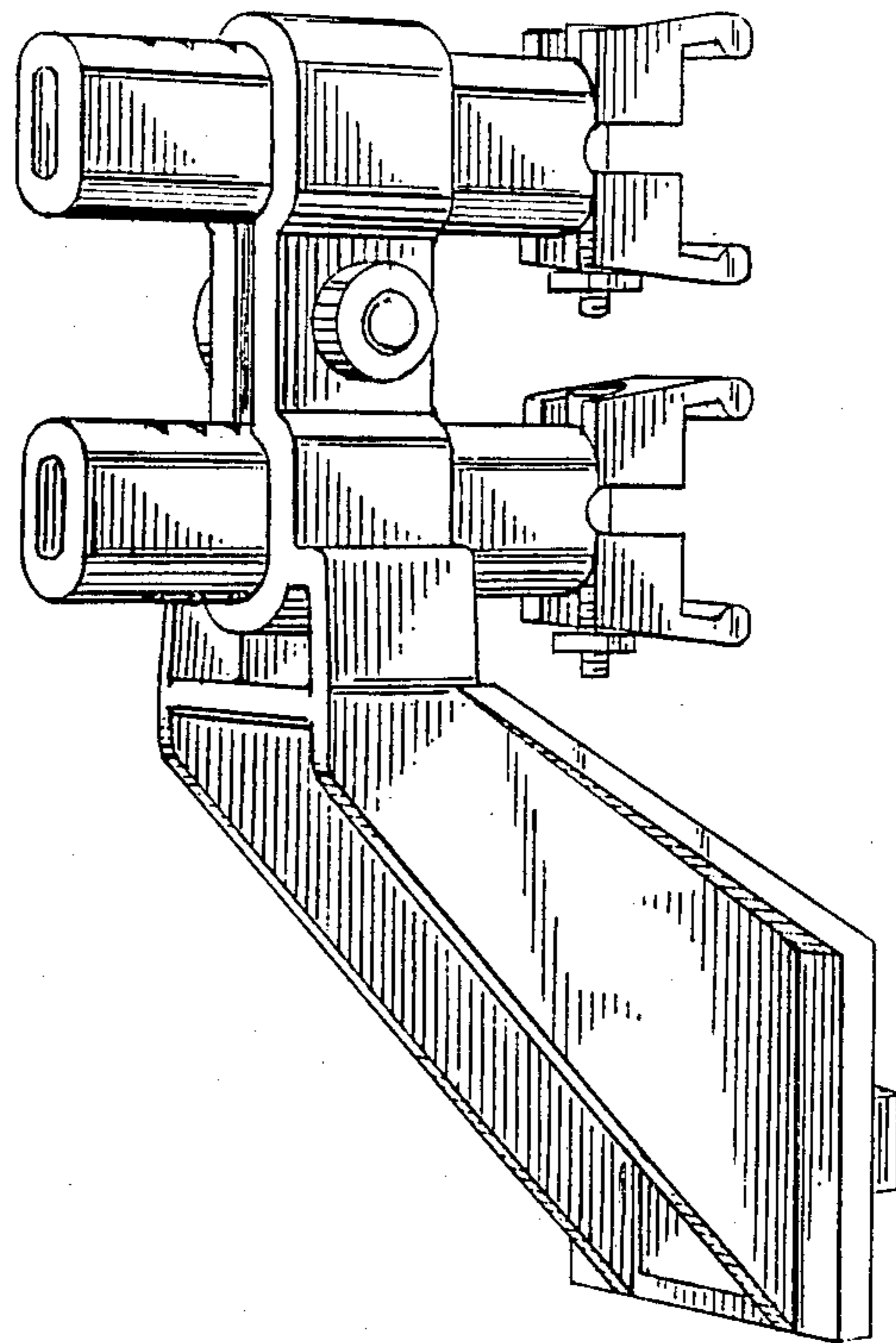


Fig. 2.

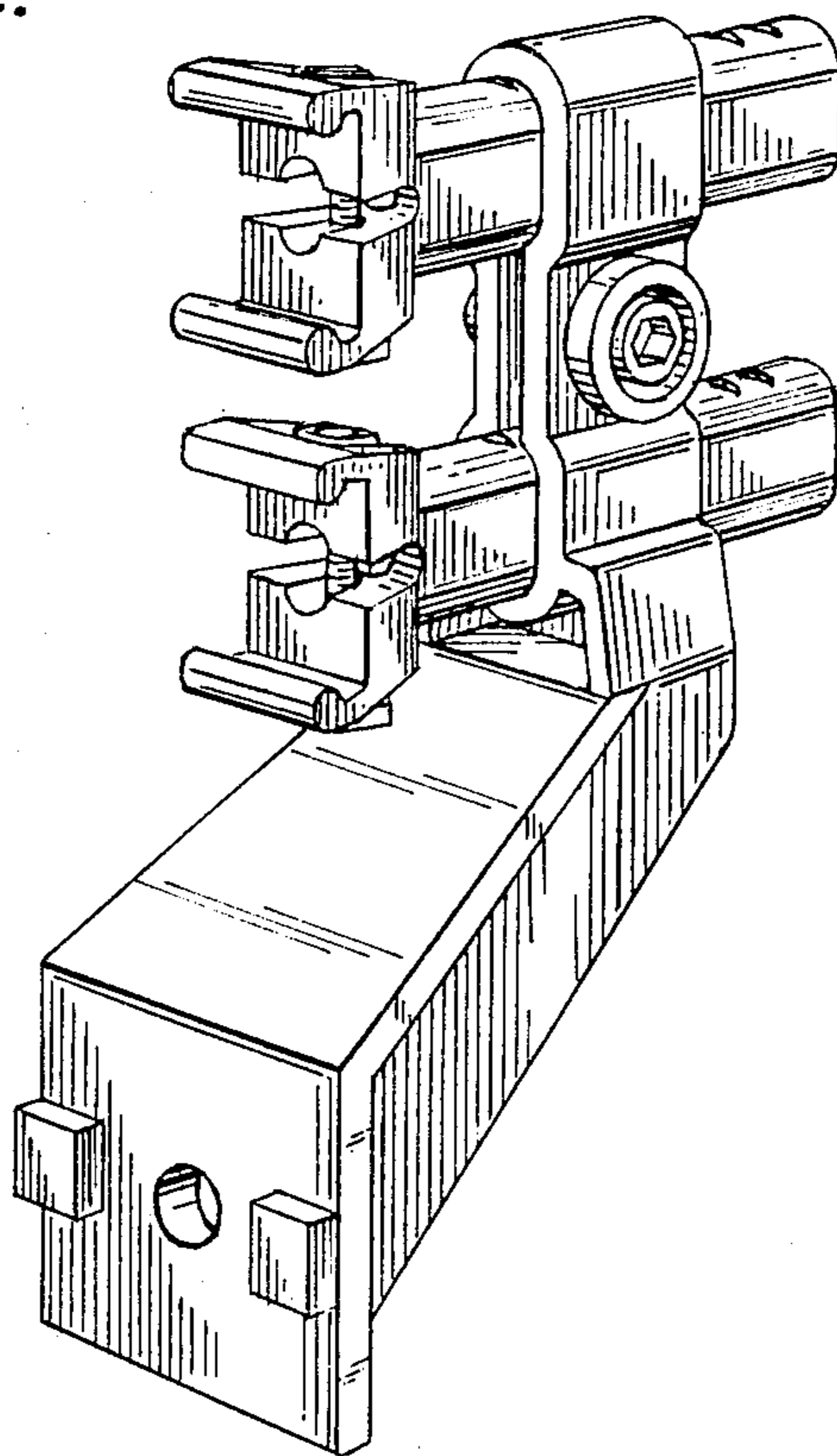


Fig. 6.

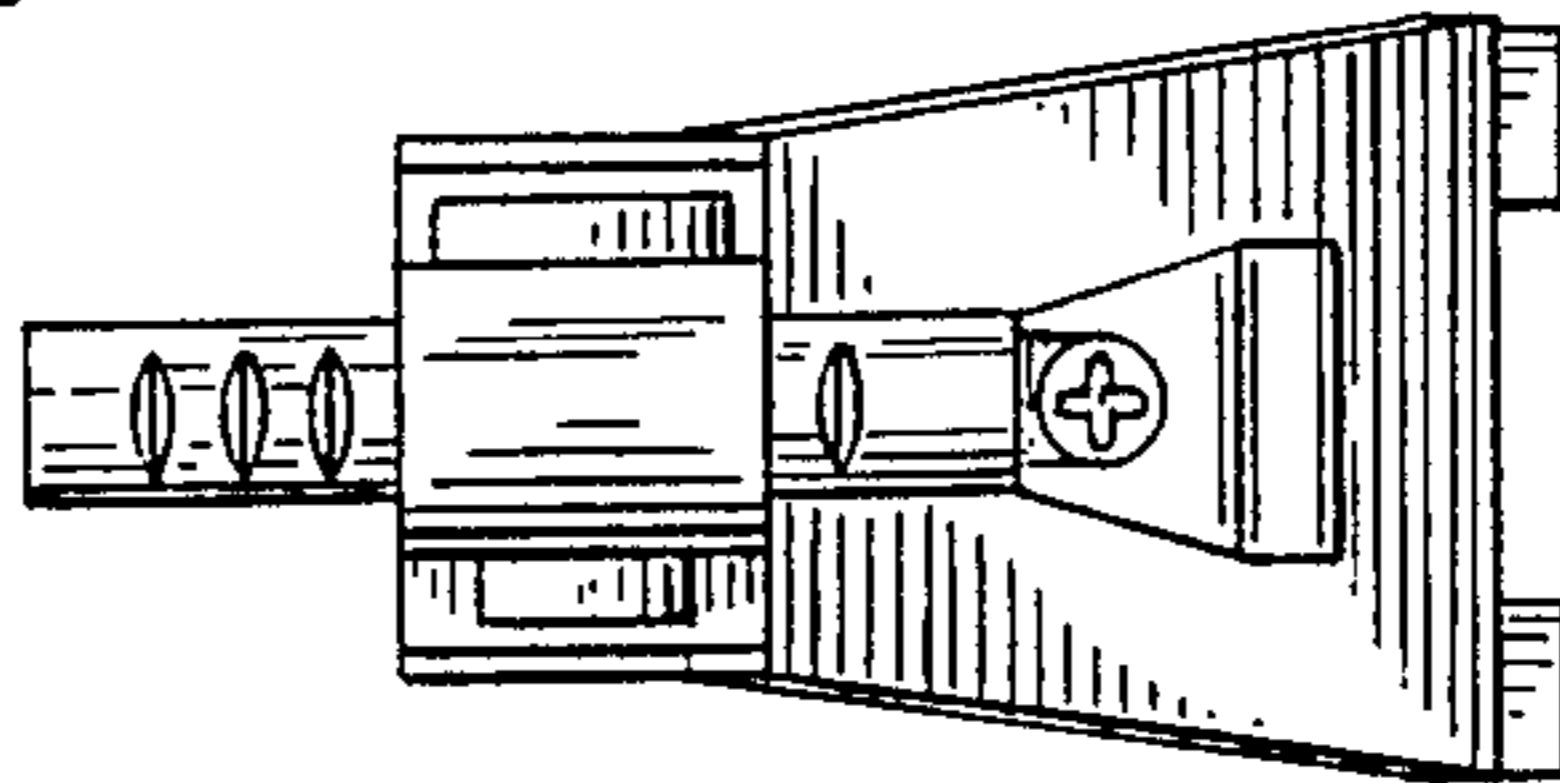


Fig. 4.

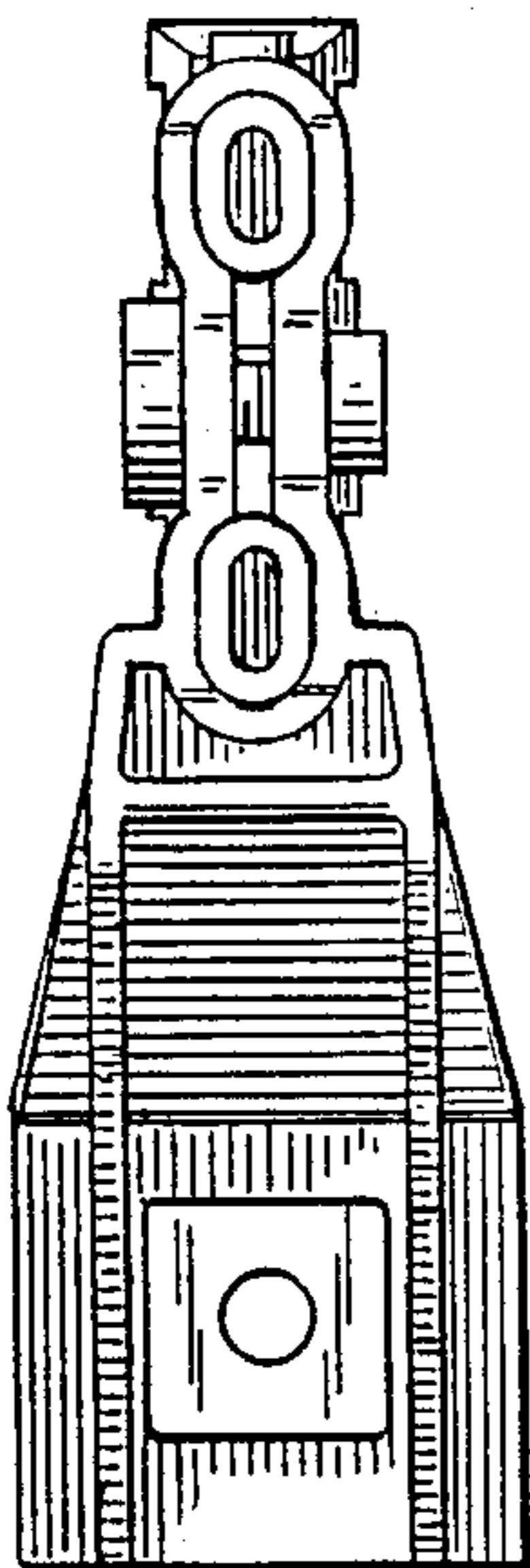


Fig. 3.

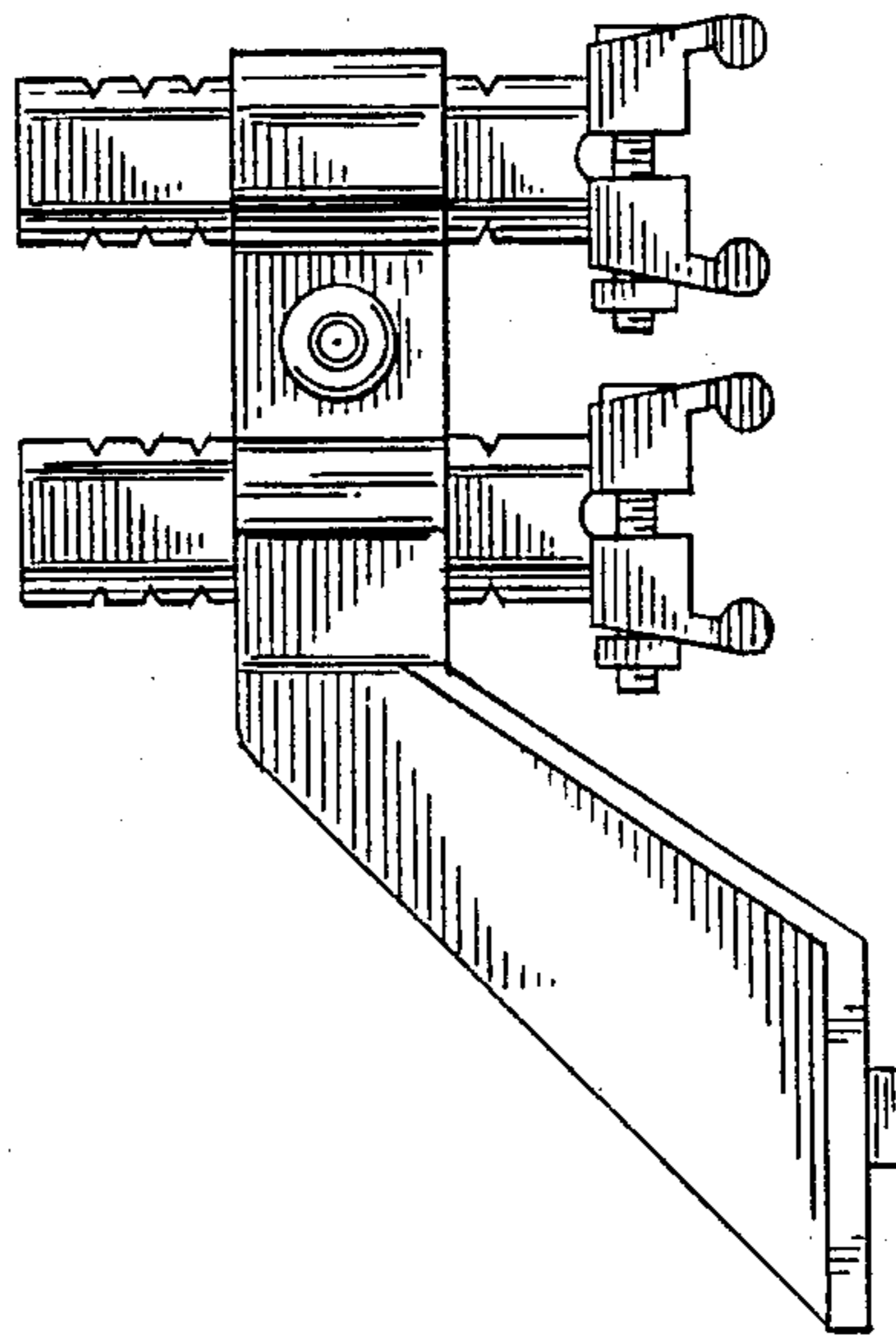


Fig. 5.

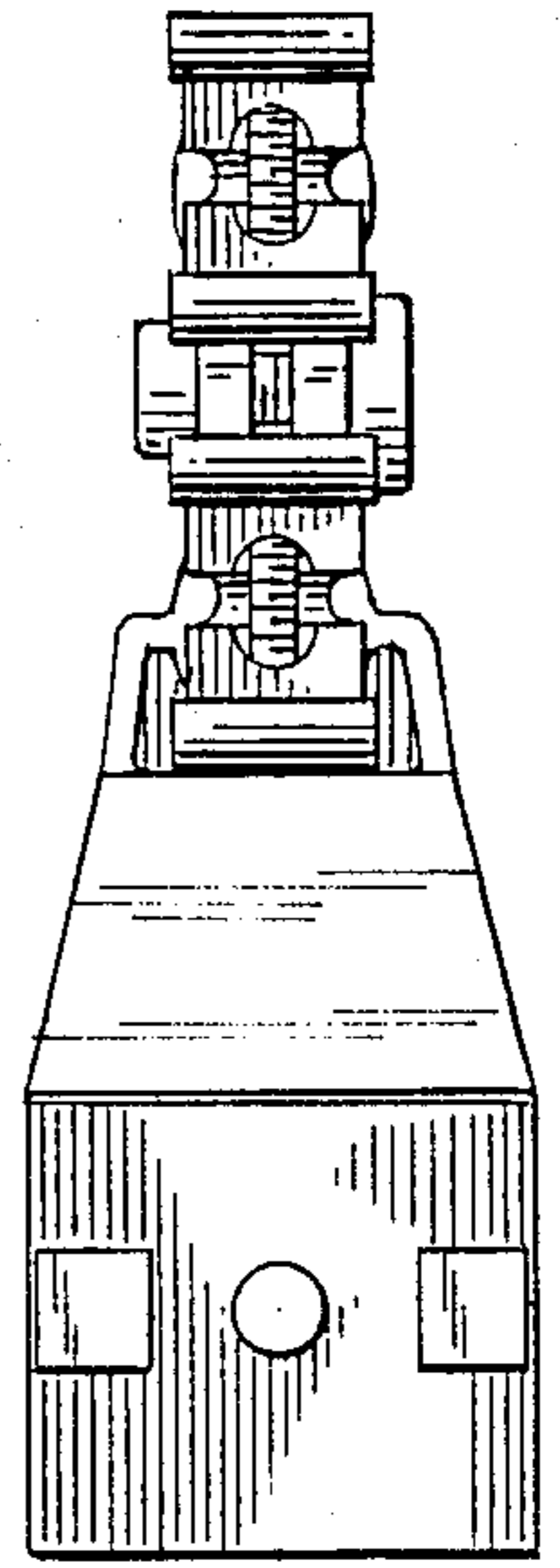


Fig. 7.

