

[54] PORTABLE HAND HELD BAGGER

4,196,928 4/1980 Spangler 294/1.4 X
4,270,788 6/1981 Overholt .
4,457,549 7/1984 Lowery .

[76] Inventor: Menzy Scott, 382 Valleyscent Ave.,
Scotch Plains, N.J. 07076

[**] Term: 14 Years

Primary Examiner—James R. Largen
Attorney, Agent, or Firm—K. Martin Oliveras

[21] Appl. No.: 3,703

[57] CLAIM

[22] Filed: Jan. 15, 1987

The ornamental design for a portable hand held bagger,
as shown and described.

[52] U.S. Cl. D34/1; D30/162

[58] Field of Search D34/1; D30/161, 162;
294/1.3, 1.4, 55

DESCRIPTION

[56] References Cited

U.S. PATENT DOCUMENTS

- D. 240,838 8/1976 Nitu .
- D. 267,593 1/1983 Crawford et al. .
- D. 279,512 7/1985 Schaffer .
- 3,711,141 1/1973 Soergel .
- 3,733,099 5/1973 Szita .
- 3,754,785 8/1973 Anderson .
- 3,872,834 3/1975 Fuhrman D30/162 X
- 4,021,994 5/1977 Mainprice 294/1.4
- 4,149,745 4/1979 Willis 294/1.4

FIG. 1 is a perspective view taken from the top, front
and right side of a portable hand held bagger showing
my new design;

FIG. 2 is a front elevational view thereof;

FIG. 3 is a right side elevational view thereof, the left
side being a mirror image of the right side shown;

FIG. 4 is a rear elevational view thereof;

FIG. 5 is a top plan view thereof; and

FIG. 6 is a bottom plan view thereof.

The broken line representation of a trash bag, trash and
a trash bag holding rope in FIG. 1 is for purposes of
illustration only and forms no part of the claimed de-
sign.

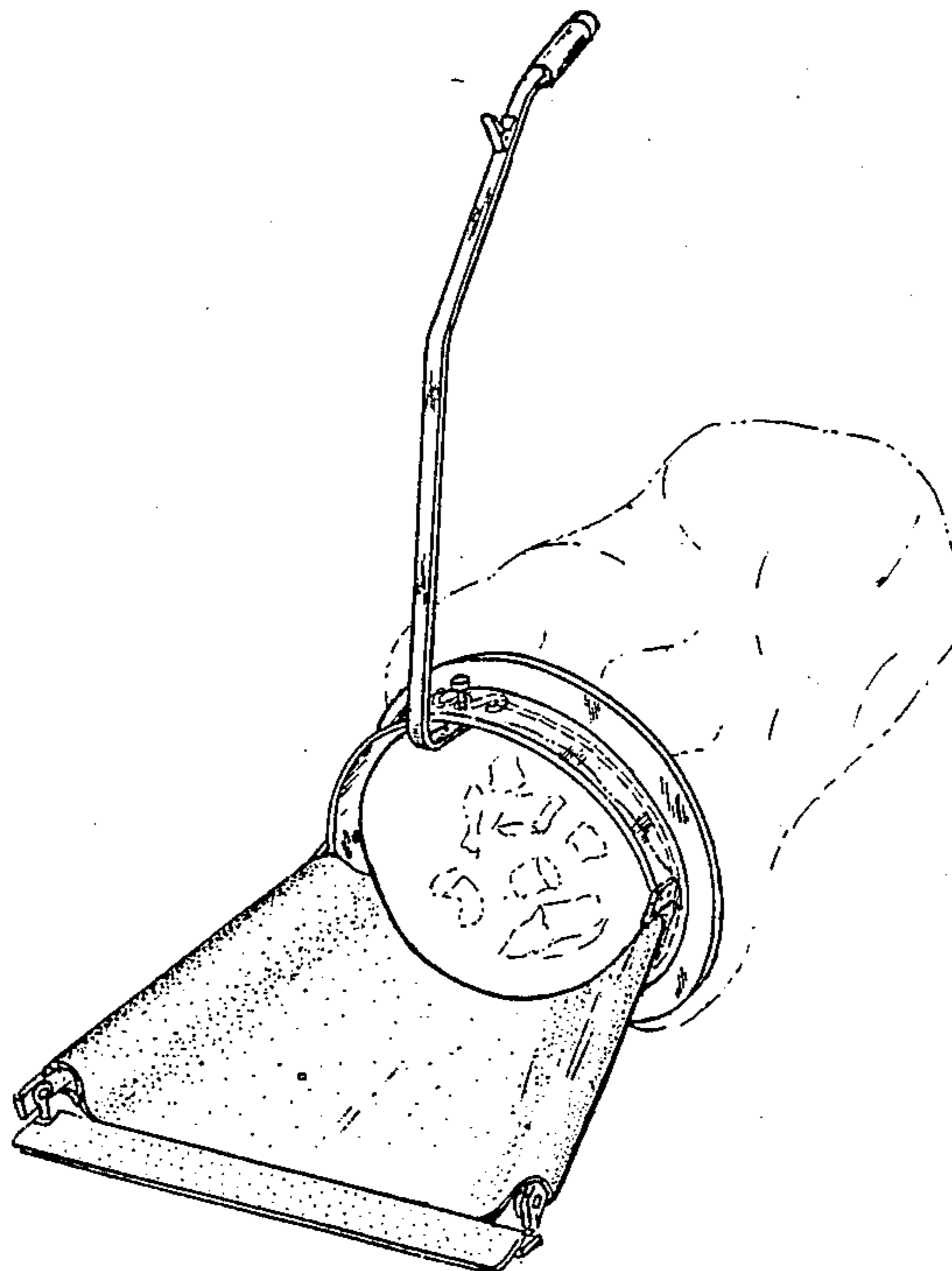


FIG. 1

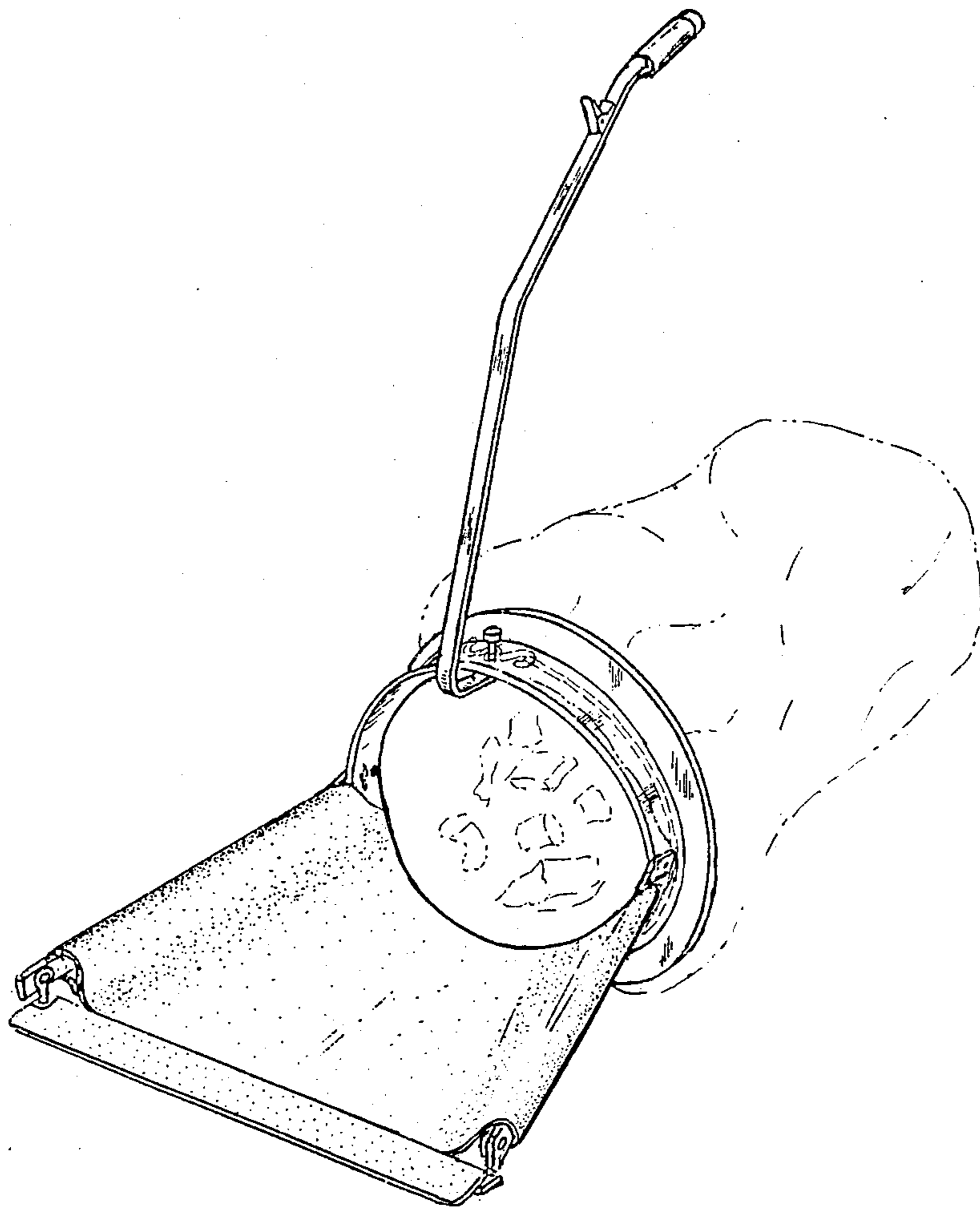


FIG. 4

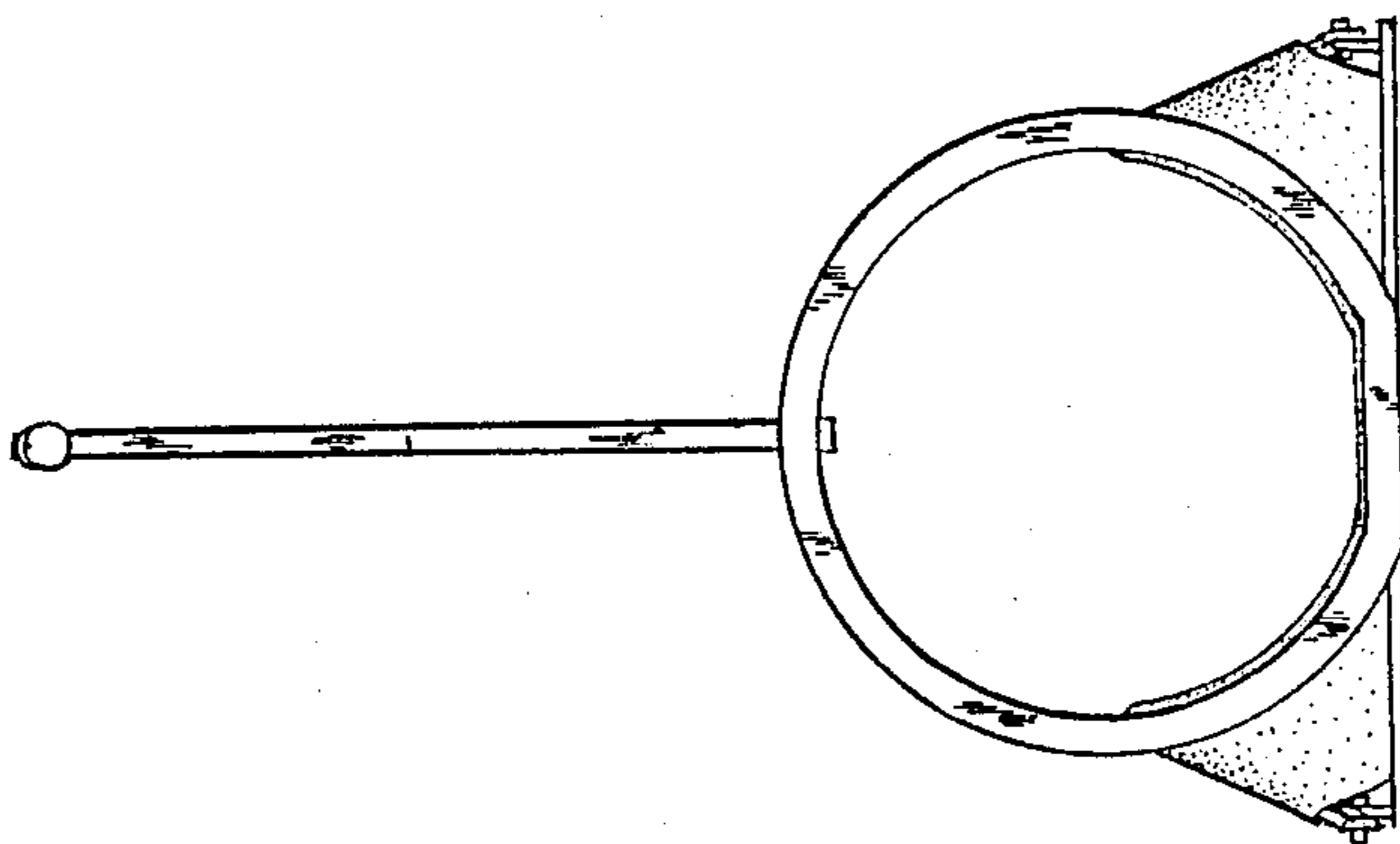


FIG. 3

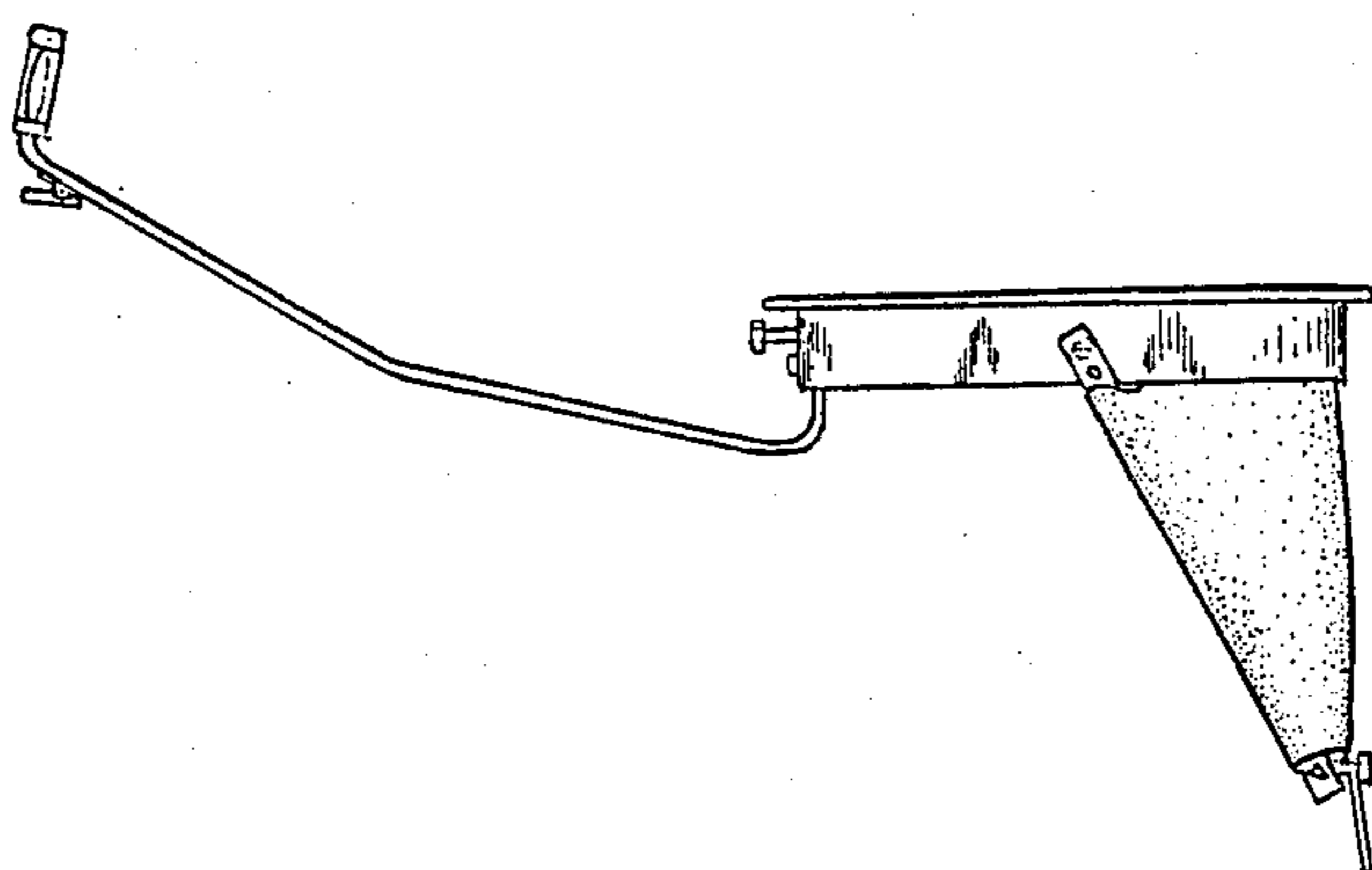


FIG. 2

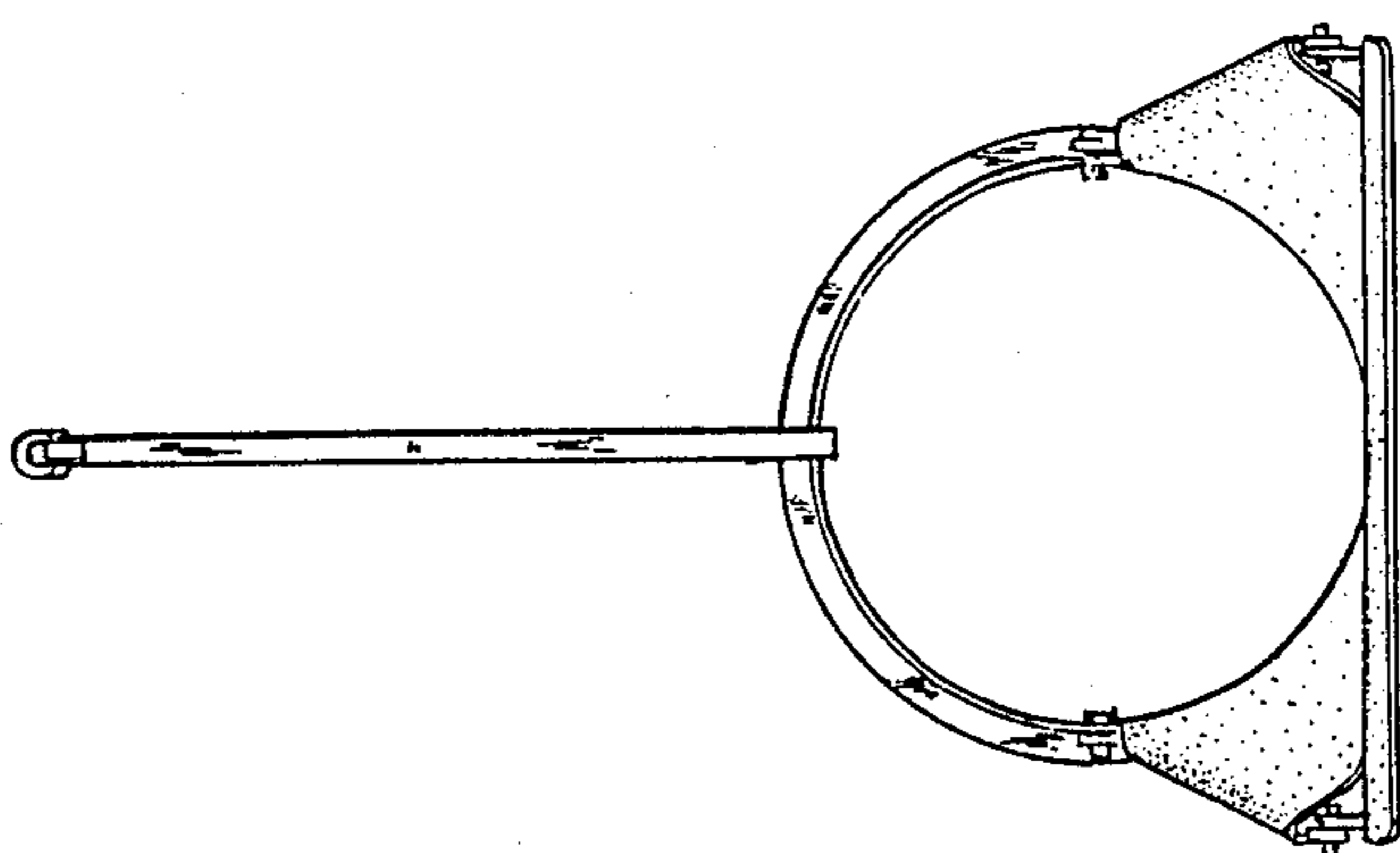


FIG. 6

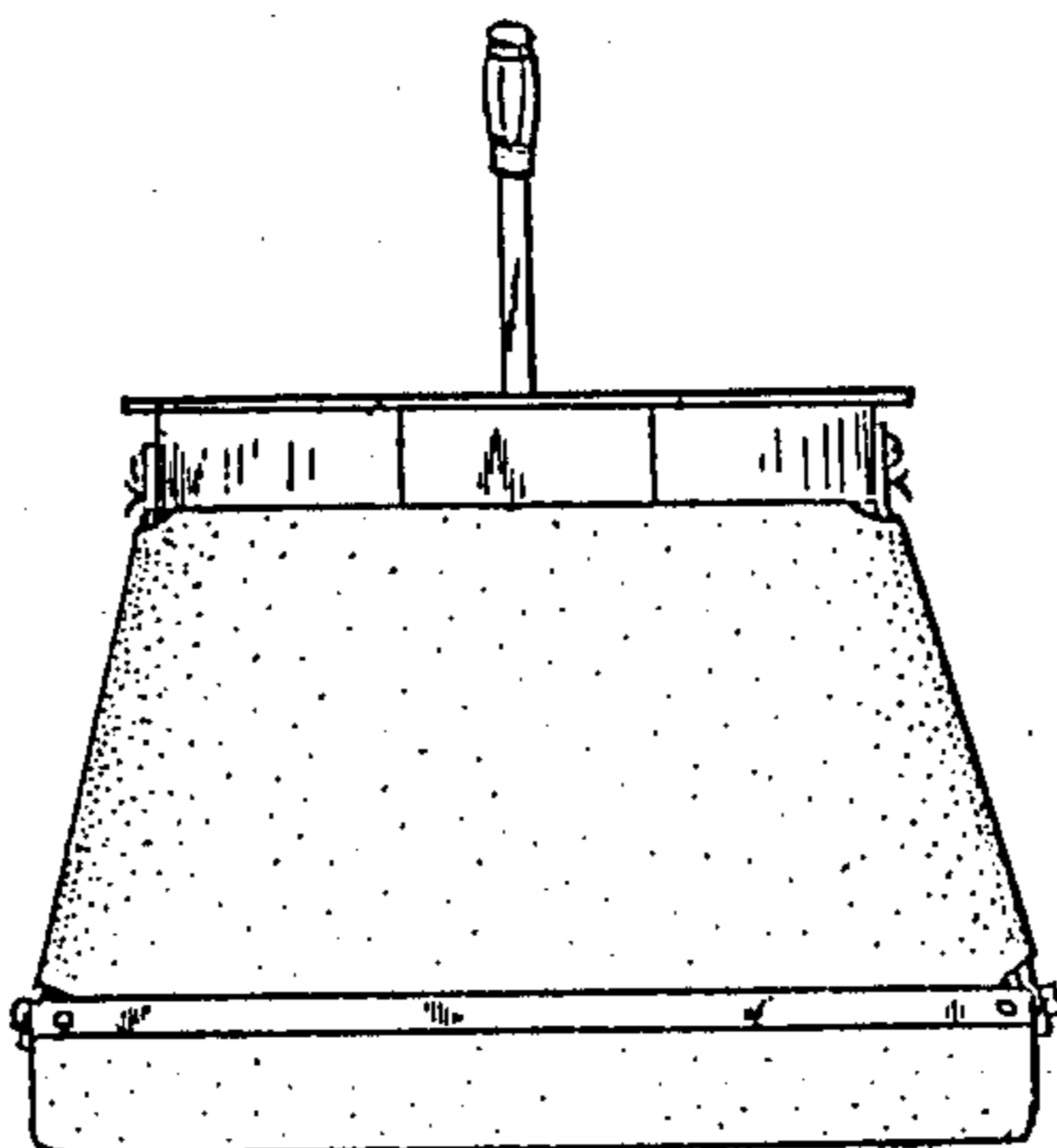


FIG. 5

