

[54] LOW PROFILE LIGHTING FIXTURE

[75] Inventors: Terry M. Tharp; David W. Roberts; John C. McCartney; John W. Harvey, all of Newark, Ohio

[73] Assignee: Manville Corporation, Denver, Colo.

[\*\*] Term: 14 Years

[21] Appl. No.: 834,463

[22] Filed: Feb. 19, 1986

[52] U.S. Cl. .... D26/88; D26/67

[58] Field of Search ..... D26/72, 80-92, D26/67-71; 362/404-408, 431, 432, 362, 363, 147

[56] References Cited

U.S. PATENT DOCUMENTS

- D. 207,414 4/1967 Lum et al. .... D26/88
- D. 235,228 5/1975 Van Steenhoven ..... D26/67
- D. 269,639 7/1983 Eargle, Jr. et al. .... D26/88

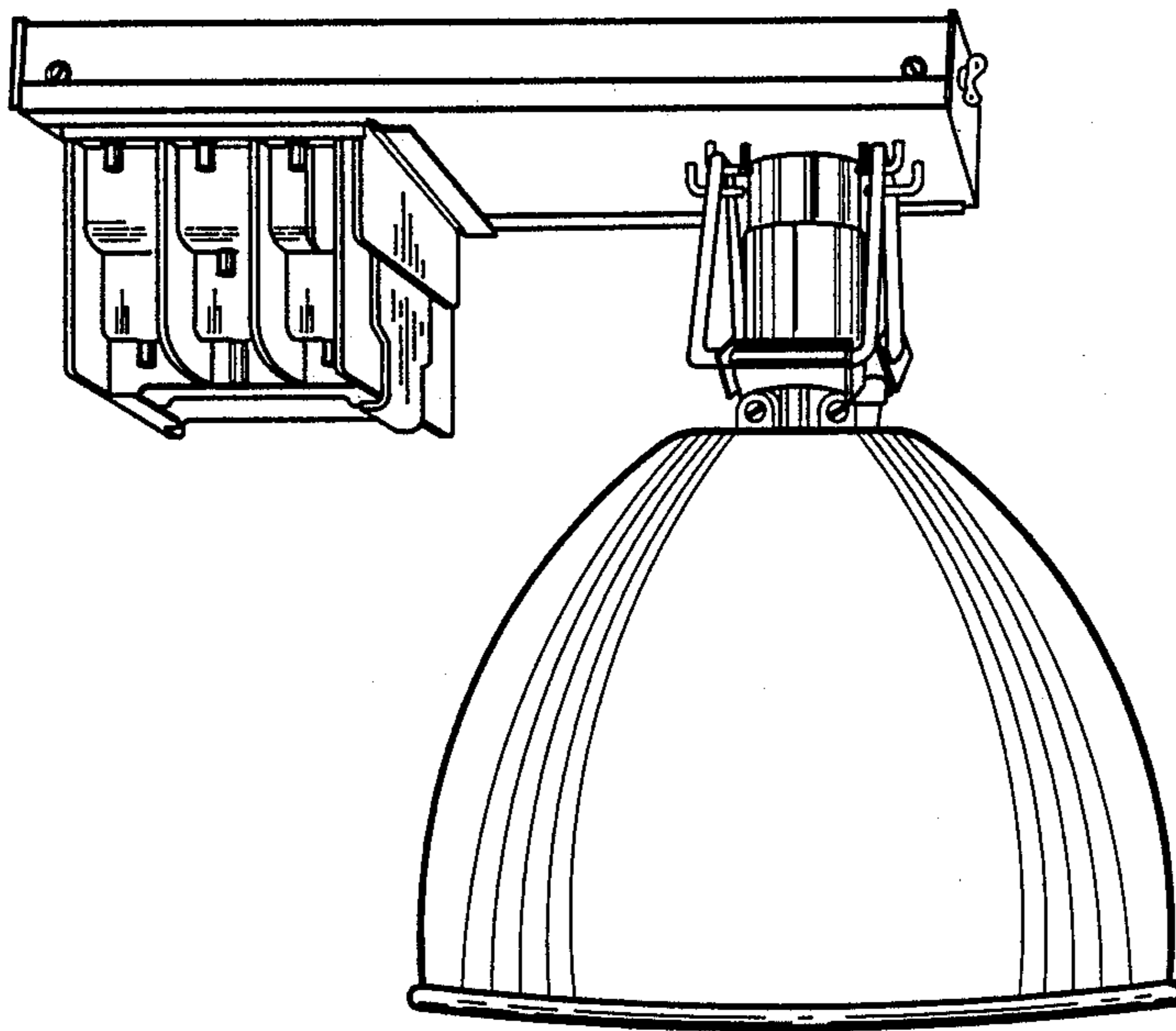
Primary Examiner—Susan J. Lucas  
Attorney, Agent, or Firm—John D. Lister; Cornelius P. Quinn

[57] CLAIM

The ornamental design for a low profile lighting fixture, as shown and described.

DESCRIPTION

- FIG. 1 is a side perspective view of a low profile lighting fixture showing our new design.
- FIG. 2 is a rear perspective view thereof.
- FIG. 3 is a side elevational view thereof.
- FIG. 4 is a front elevational view thereof.
- FIG. 5 is a bottom perspective view thereof.
- FIG. 6 is a top plan view thereof.



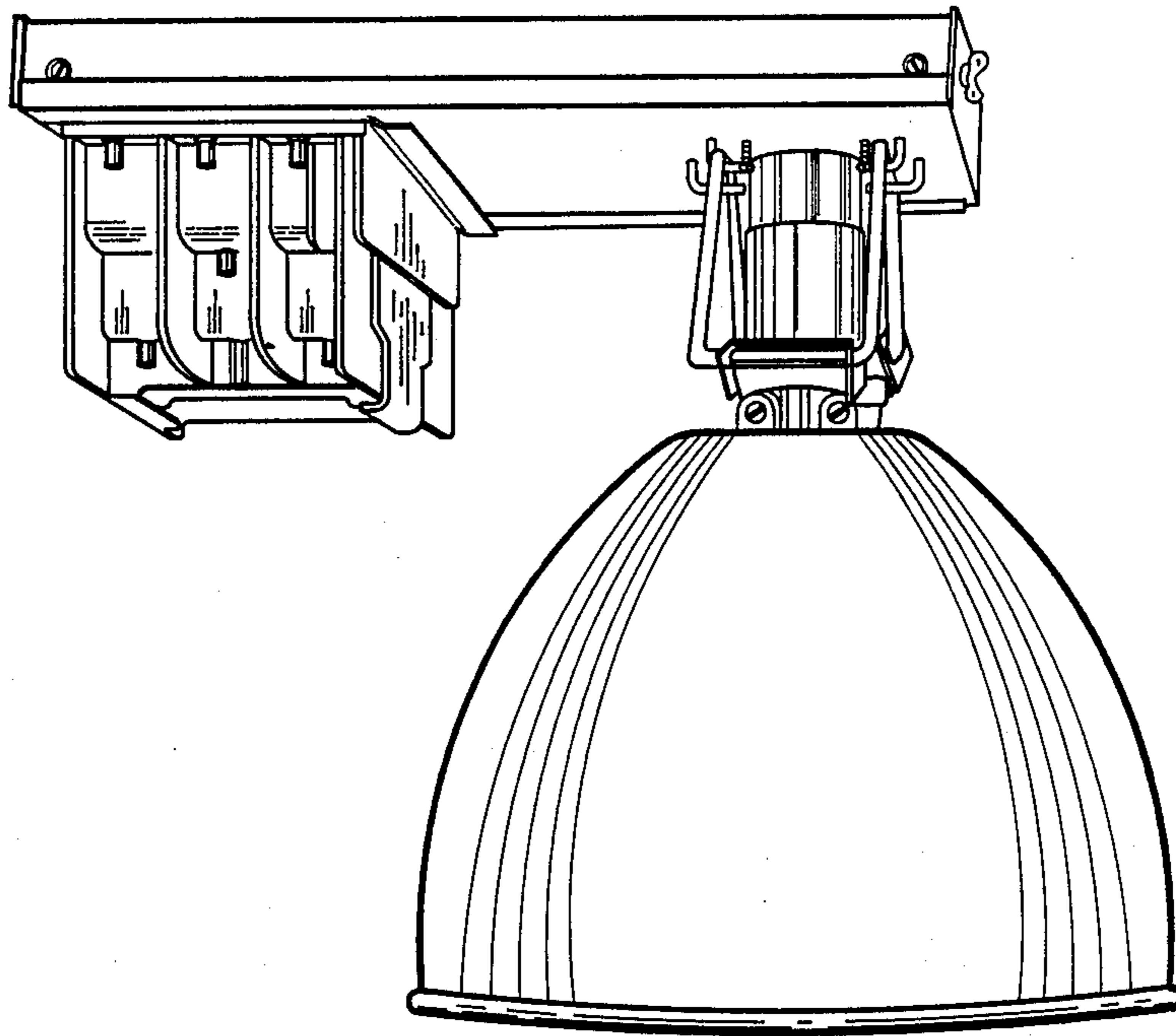


FIG. 1

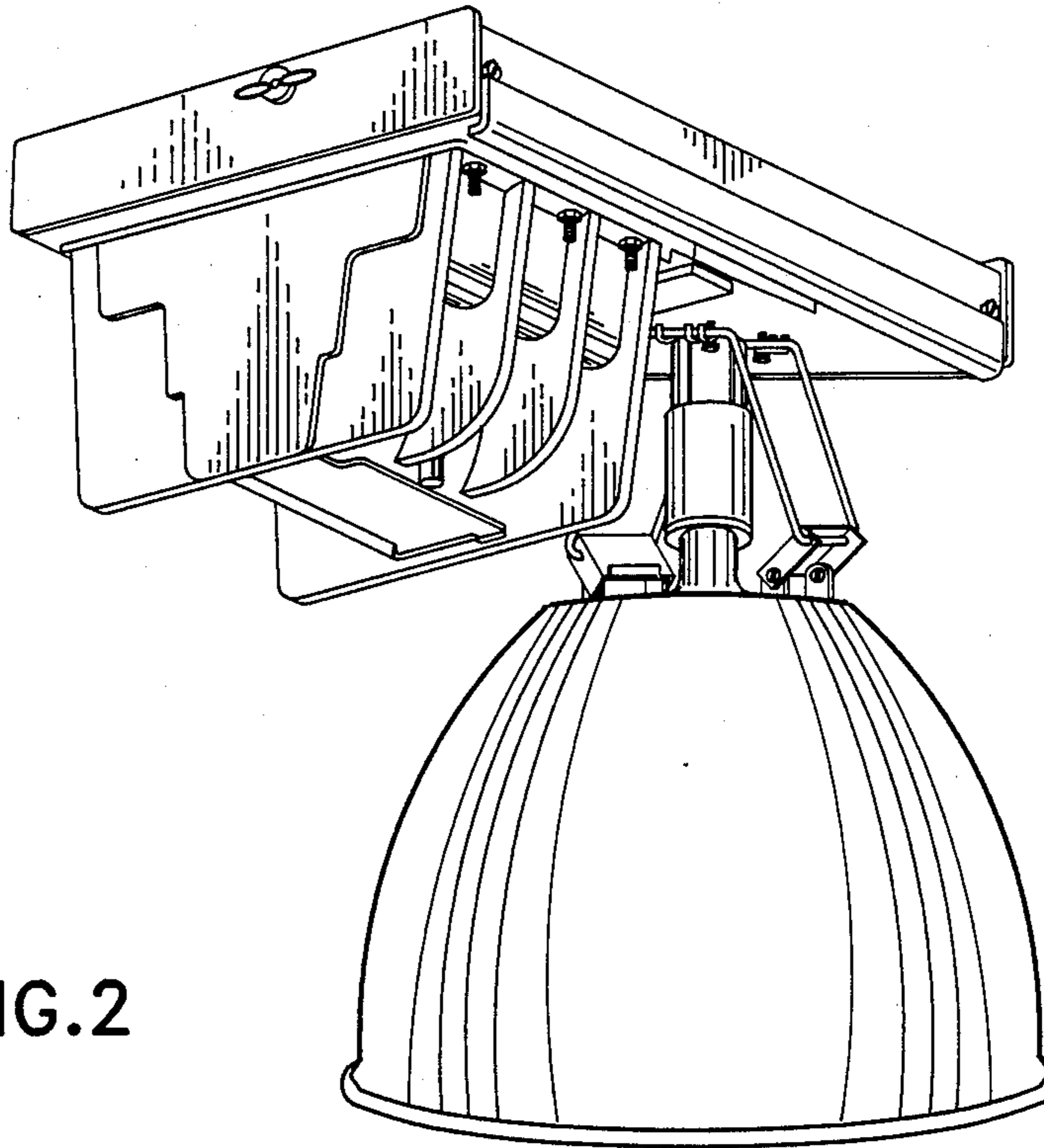


FIG. 2

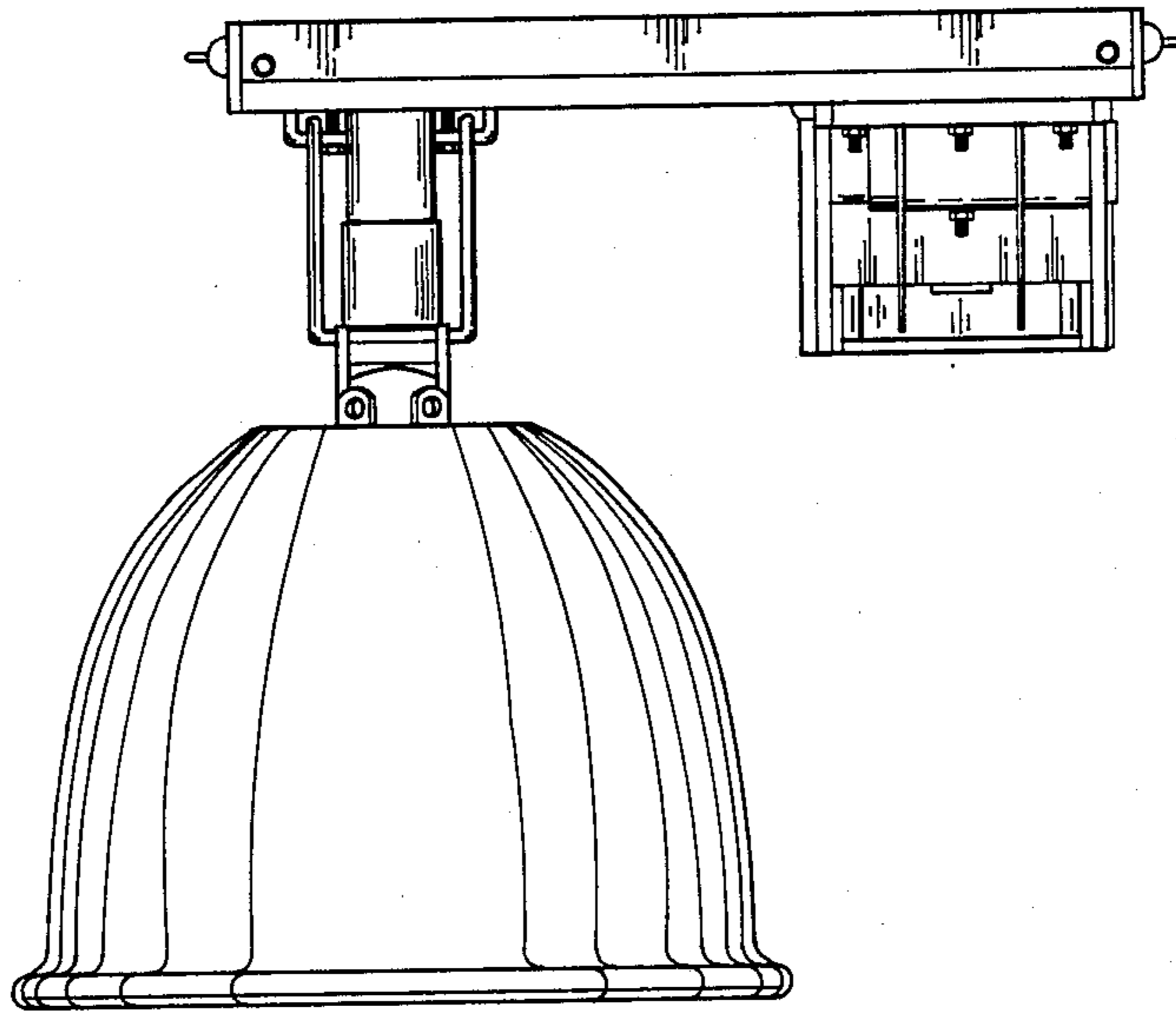


FIG. 3

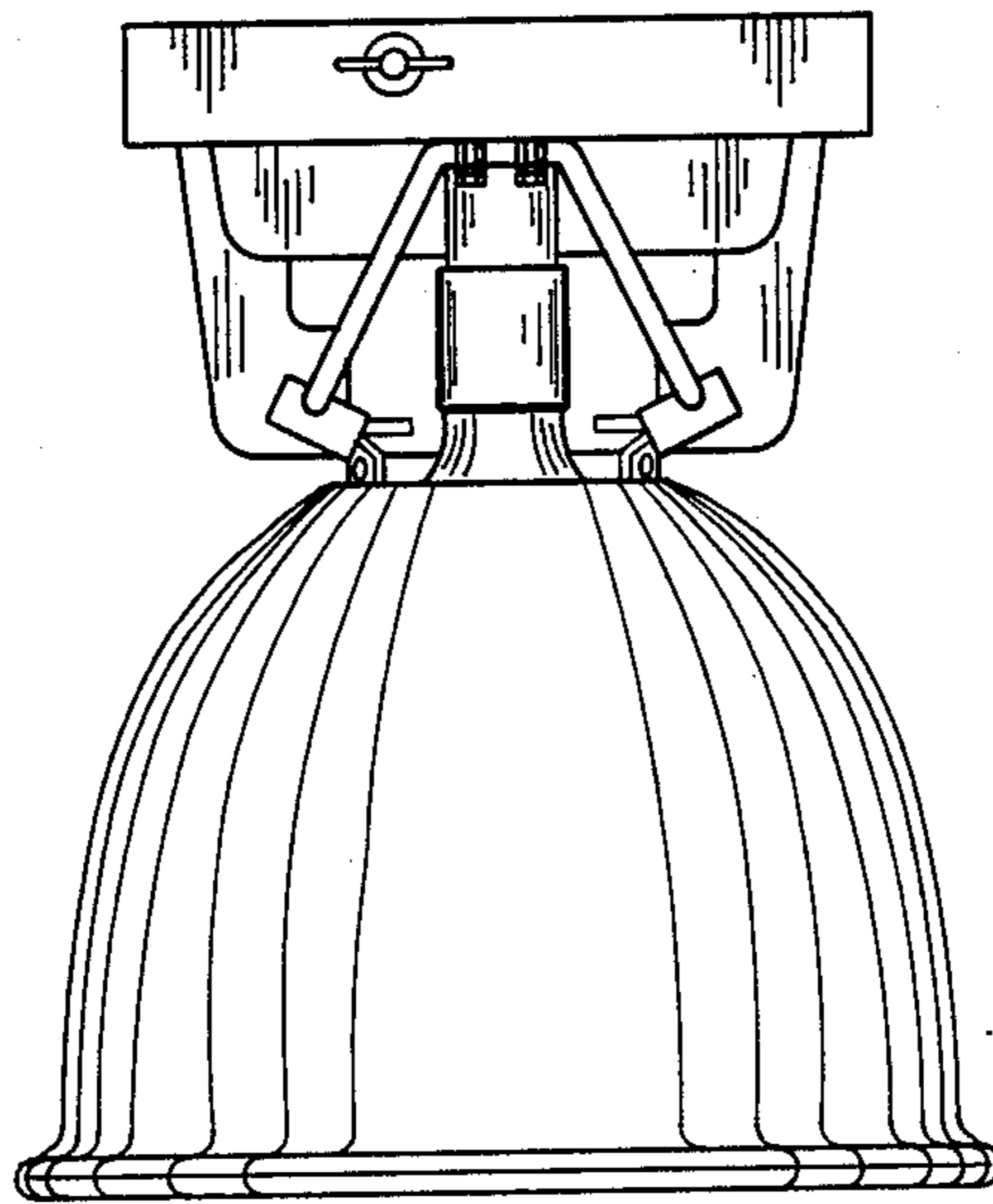


FIG. 4

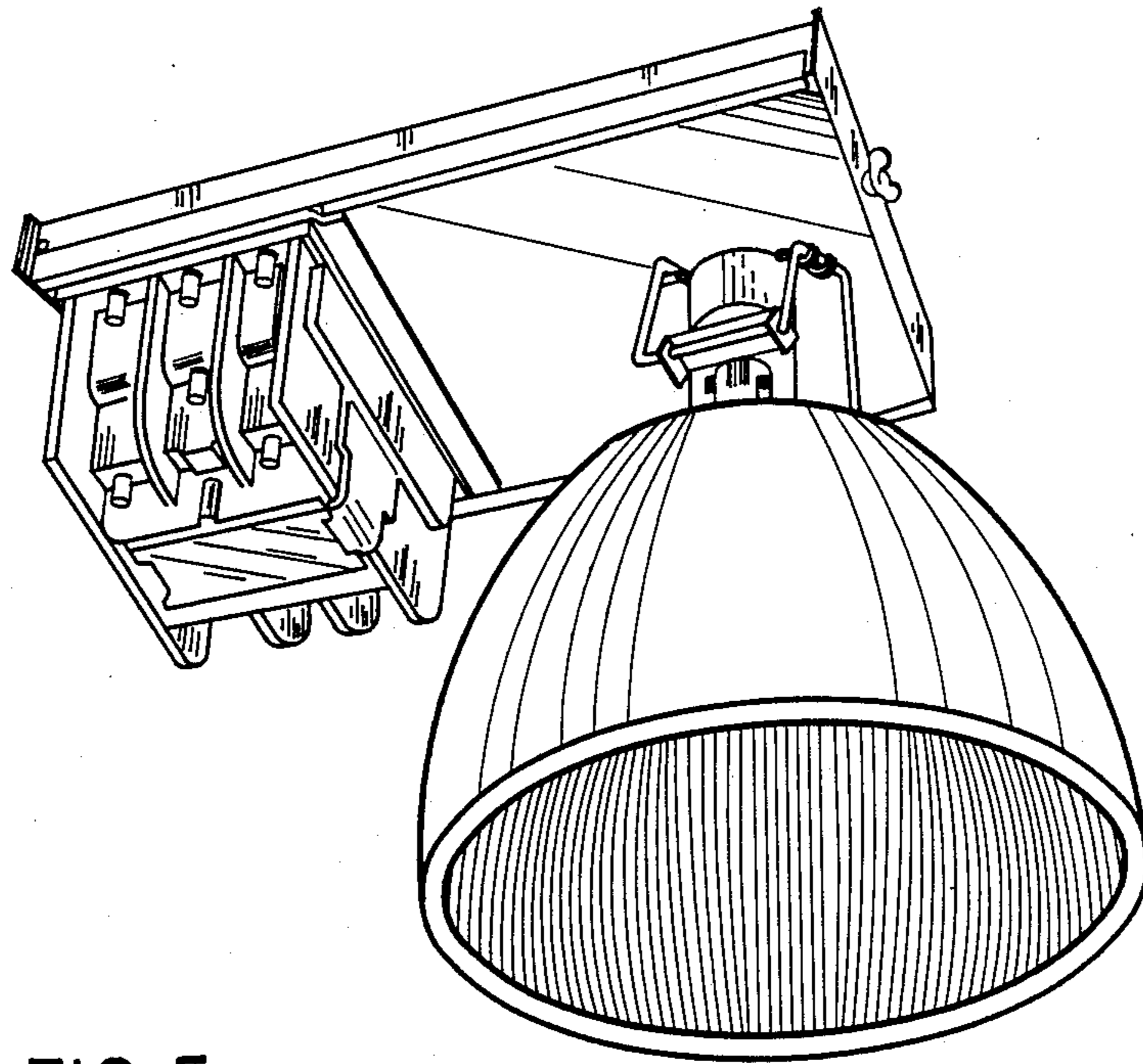


FIG. 5

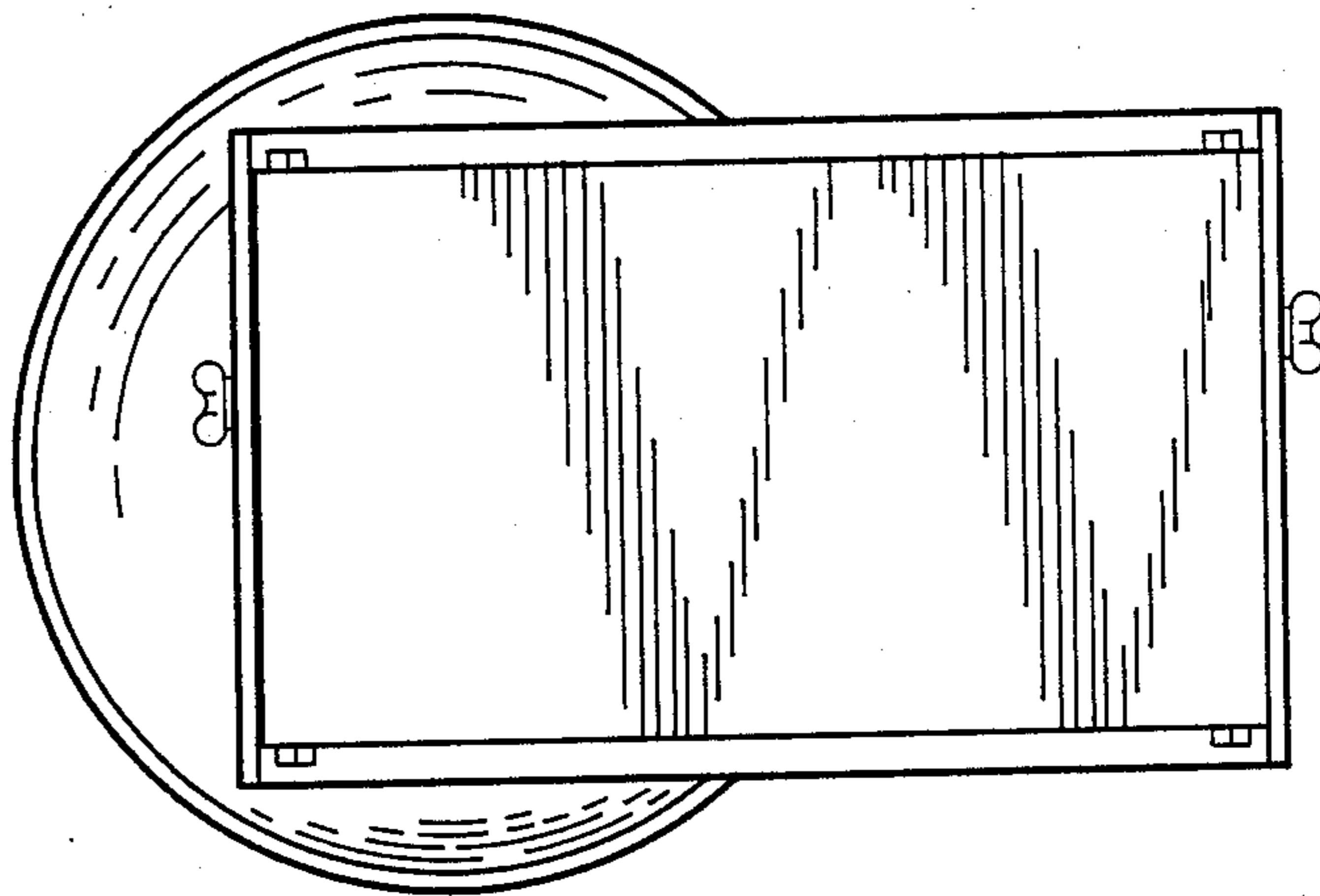


FIG. 6