

[54] REVERSIBLE MODULAR COPING BLOCK

4,124,961 11/1978 Habegger D25/113 X
4,269,537 5/1981 O'Neill D25/113 X

[75] Inventors: Angelo Risi; Antonio Risi, both of
Richmond Hill, Canada

Primary Examiner—A. Hugo Word
Attorney, Agent, or Firm—Weldon F. Green

[73] Assignee: Rothbury Investments Limited,
Gormley, Canada

[57] CLAIM

[**] Term: 14 Years

The ornamental design for a reversible modular coping
block, as shown and described.

[21] Appl. No.: 818,286

DESCRIPTION

[22] Filed: Jan. 13, 1986

[52] U.S. Cl. D25/157; D25/113

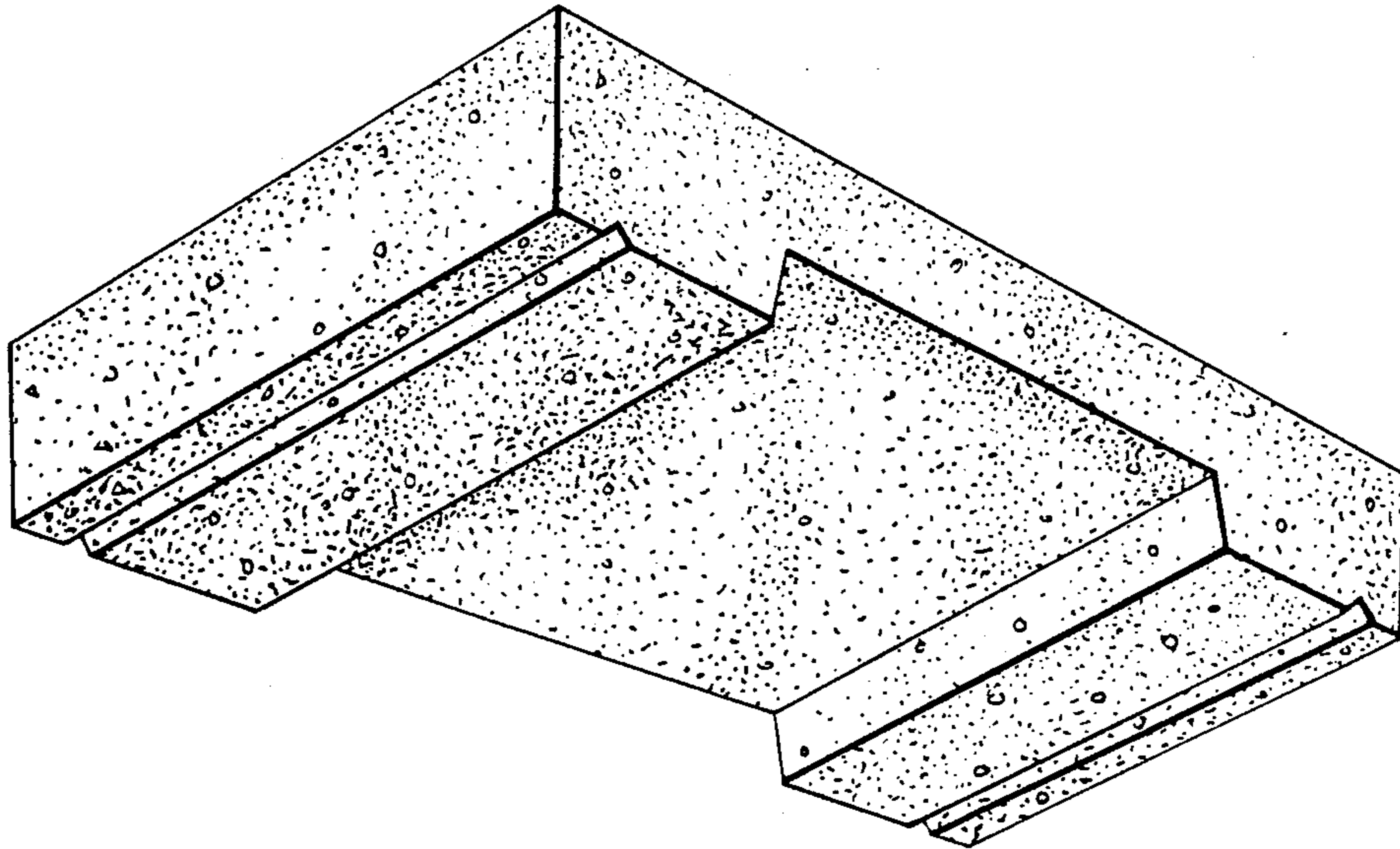
[58] Field of Search D25/113-118,
D25/2, 138, 157; 405/29-35; 52/574, 575, 593,
536, 608, 102

FIG. 1 is a perspective view of a reversible modular
coping block taken from a point upwardly of and to the
right of one facing thereof showing our new design.
FIG. 2 is a perspective view of the block of FIG. 1
taken from a point downwardly below and to the right
thereof.
FIG. 3 is a side elevational view of the block of FIG. 1
taken from the right thereof.
FIG. 4 is a top plan view of the block of FIG. 1.

[56] References Cited

U.S. PATENT DOCUMENTS

1,746,169 2/1930 Swanson D25/113 X



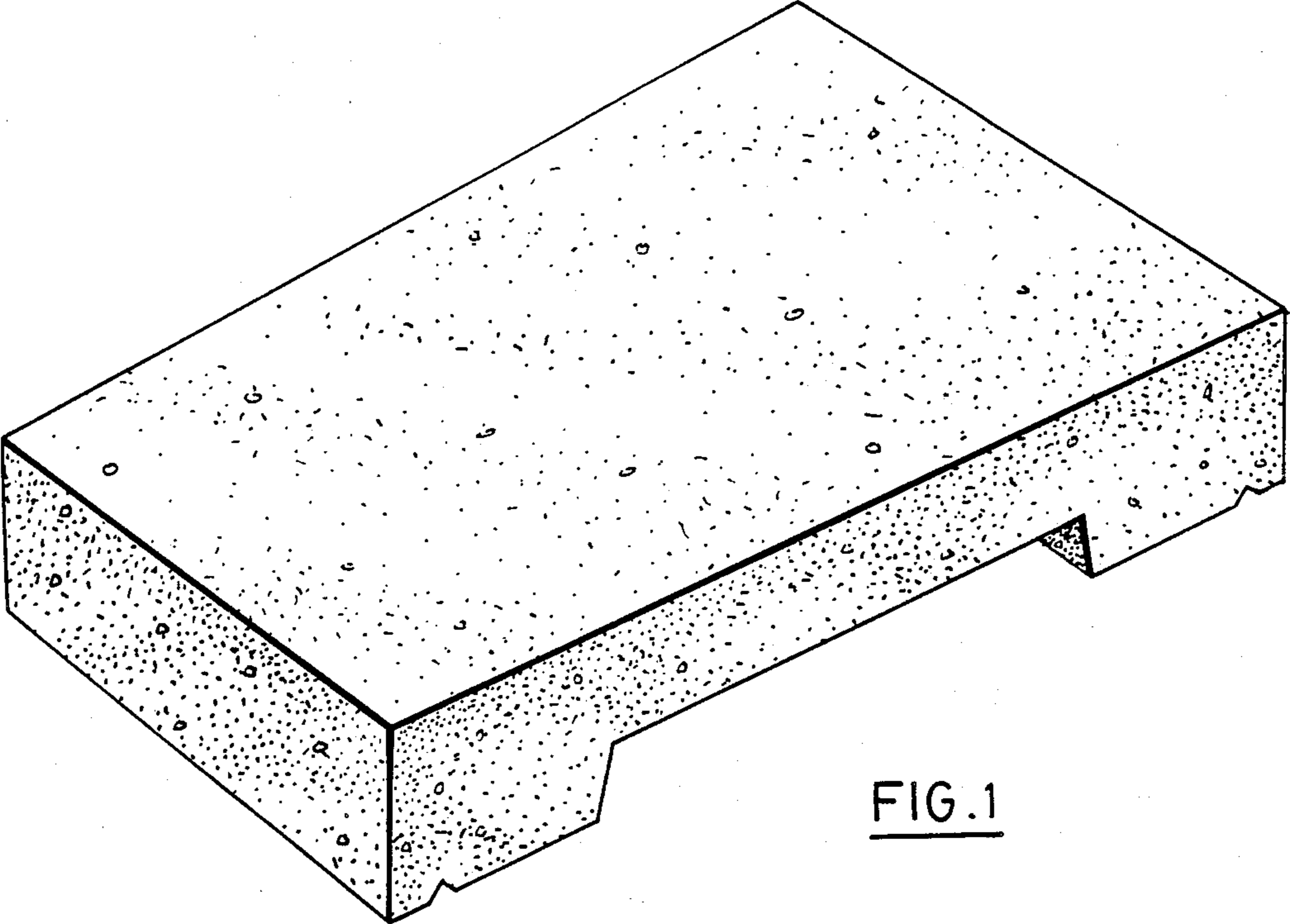


FIG. 1

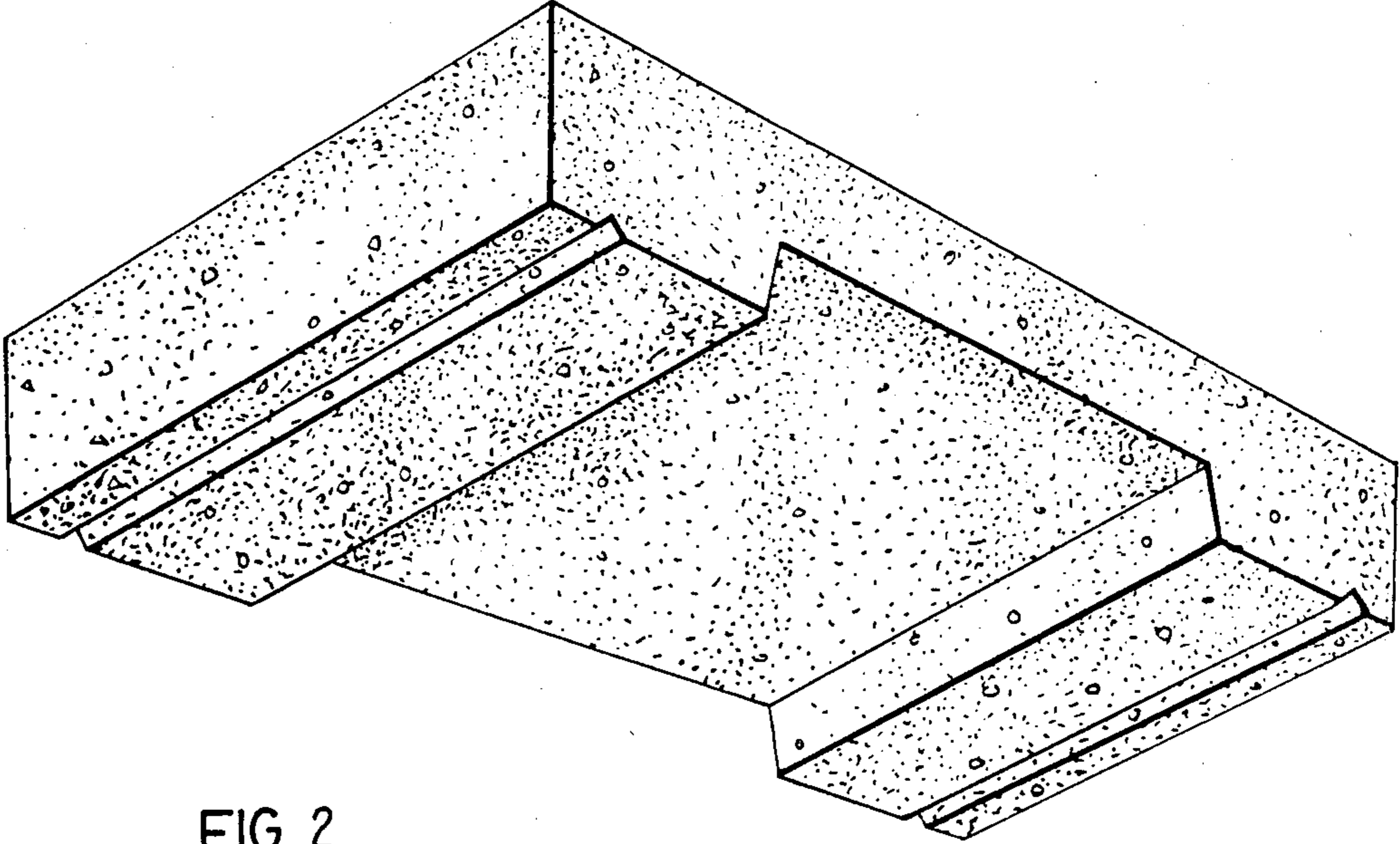


FIG. 2



FIG. 3

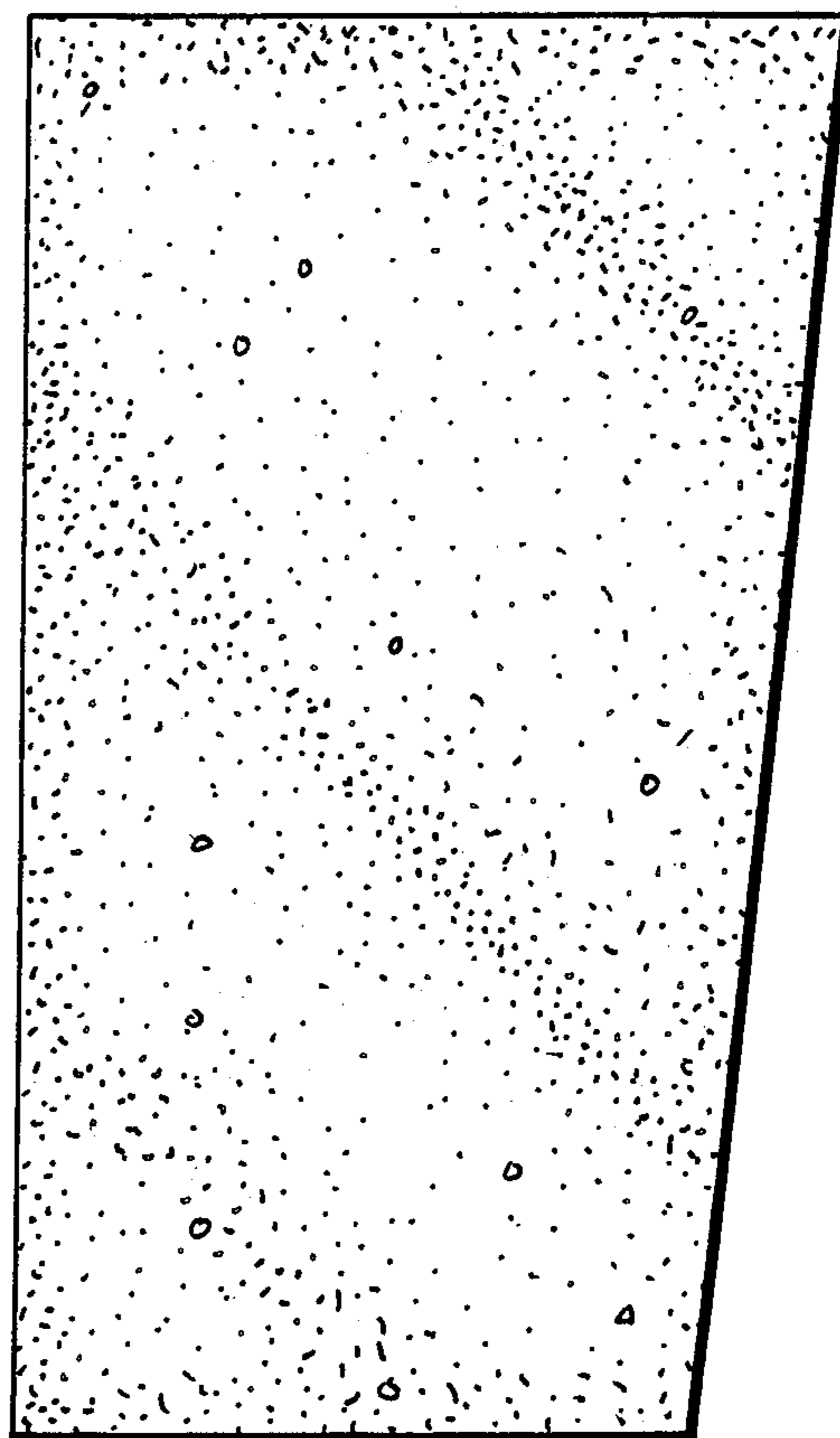


FIG. 4