

[54] INTERLOCKING BUILDING BLOCK

[76] Inventors: Wilford L. McSorley, 1005-233 Booth Dr., Winnipeg, Manitoba, Canada, R3Q 3M4; Wilford J. McSorley, deceased, late of Winnipeg, Canada by Wilford L. McSorley

[**] Term: 14 Years

[21] Appl. No.: 834,034

[22] Filed: Feb. 14, 1986

[52] U.S. Cl. D25/117; D25/118

[58] Field of Search D25/113, 114, 115, 116, D25/117; 52/316, 582, 588, 595, 601, 602

[56] References Cited

U.S. PATENT DOCUMENTS

- D. 264,886 6/1982 Feldman D25/117
- 2,811,035 10/1957 Zagray D25/117 X
- 4,738,059 4/1988 Dean, Jr. D25/114 X

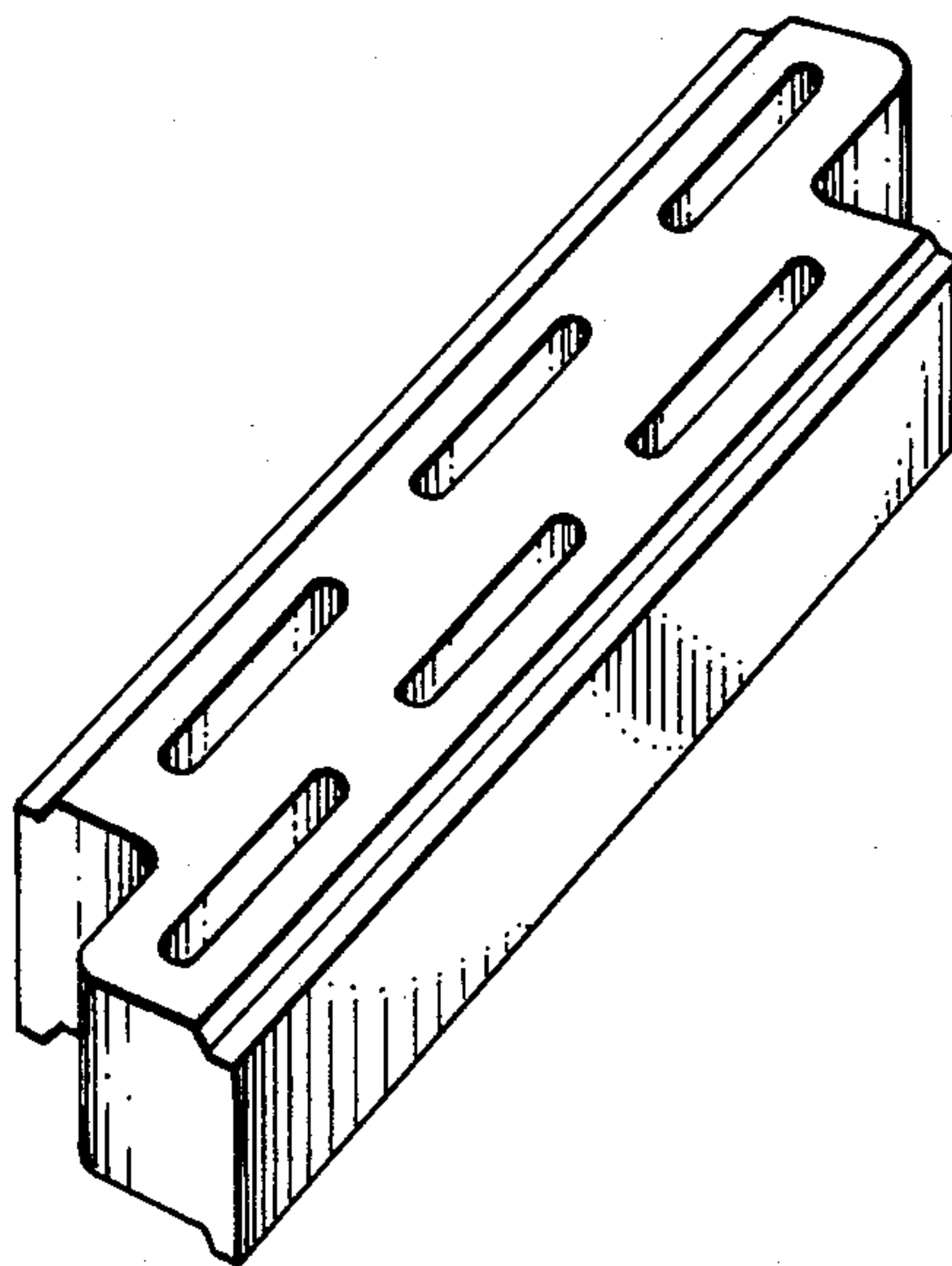
Primary Examiner—A. Hugo Word
Attorney, Agent, or Firm—Pascal & Associates

[57] CLAIM

The ornamental design for an interlocking building block, as shown and decided.

DESCRIPTION

FIG. 1 is a perspective view of an interlocking building block showing our new design;
 FIG. 2 is a front view thereof;
 FIG. 3 is a bottom view thereof;
 FIG. 4 is a top view thereof.
 FIG. 5 is a side view thereof;
 FIG. 6 is a perspective view of a modified form of the block shown in FIG. 1;
 FIG. 7 is a perspective view of another modified form of the block shown in FIG. 1;
 FIG. 8 is a perspective view of another modified form of the block shown in FIG. 1; and
 FIG. 9 is a perspective view of another modified form of the block shown in FIG. 1.



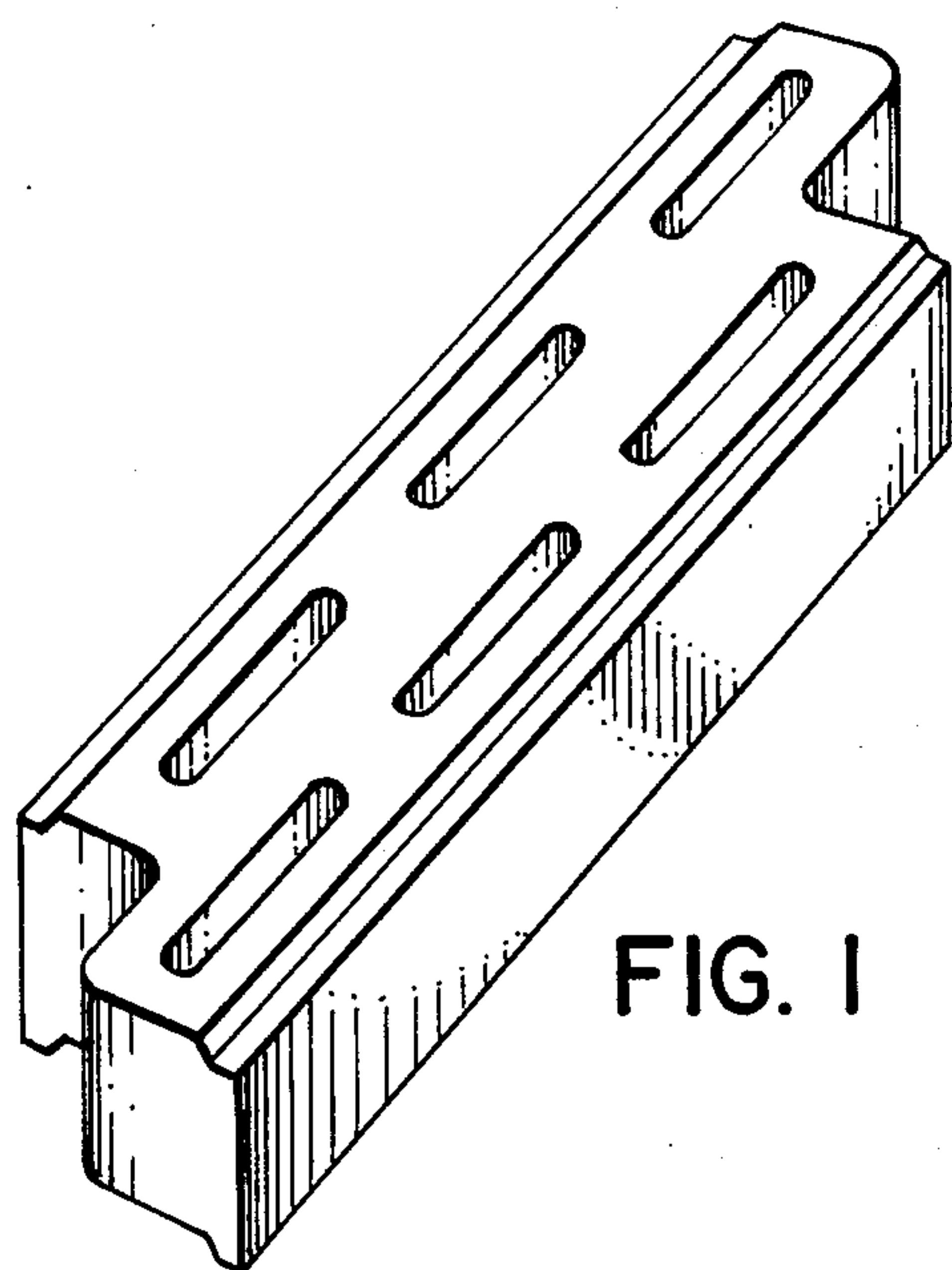


FIG. 1



FIG. 2

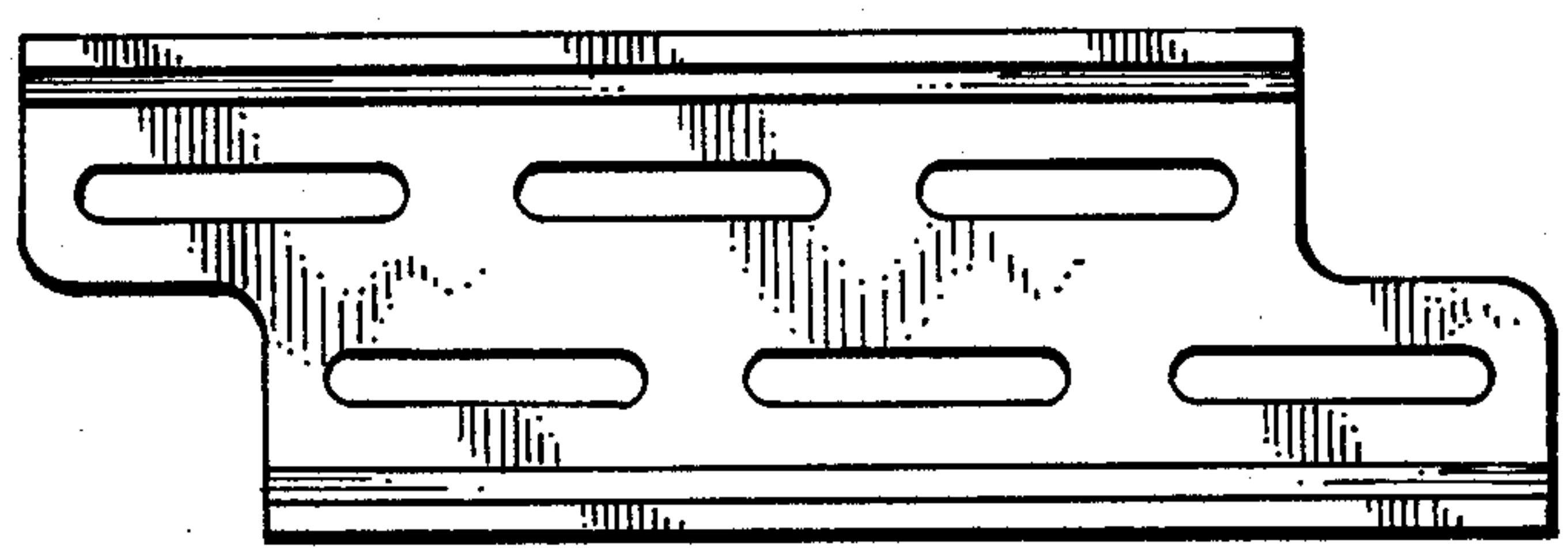


FIG. 3

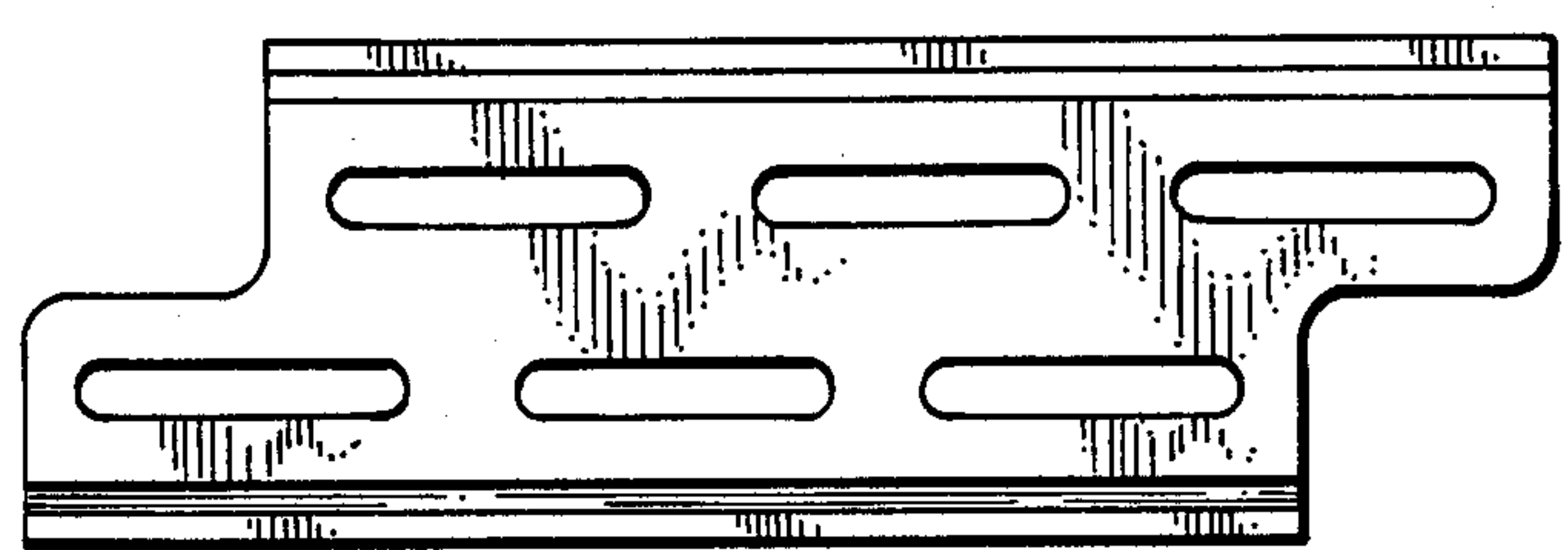


FIG. 4

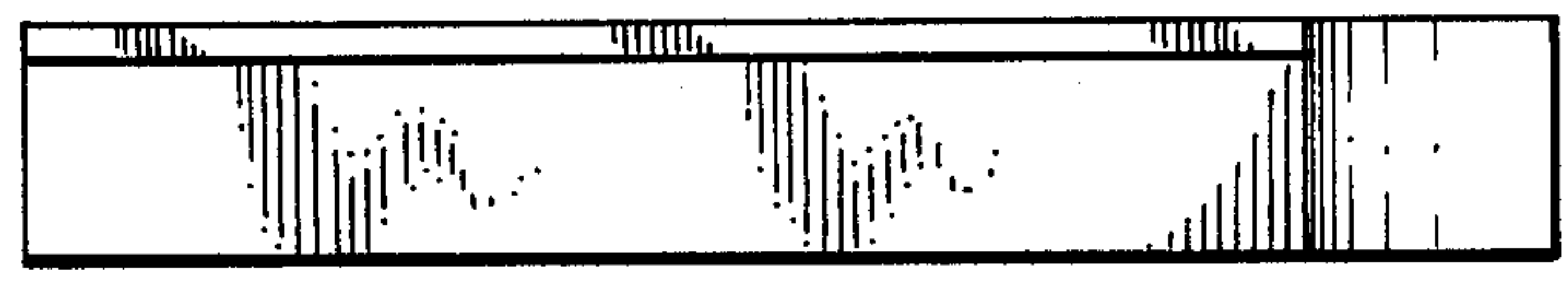


FIG. 5

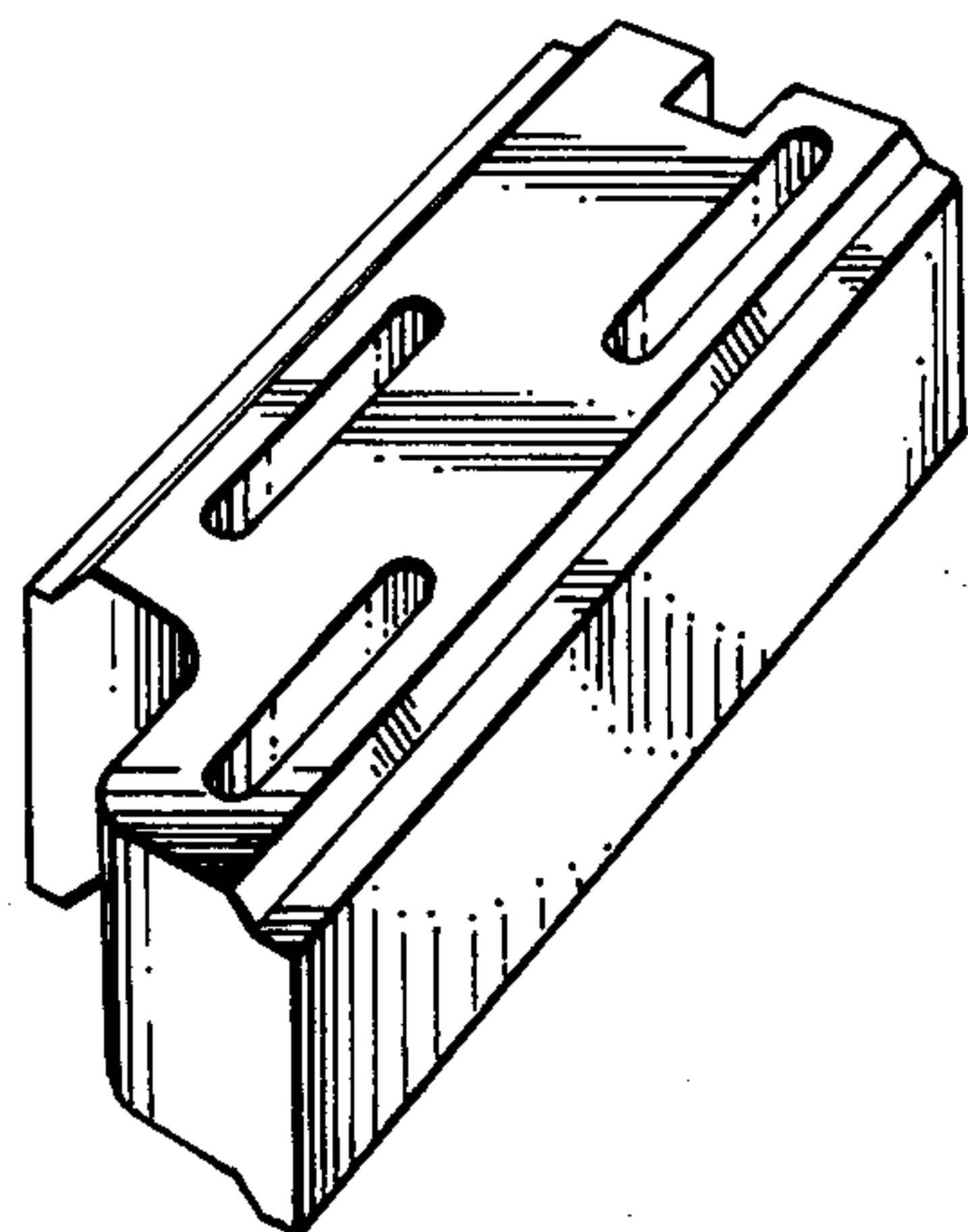


FIG. 6

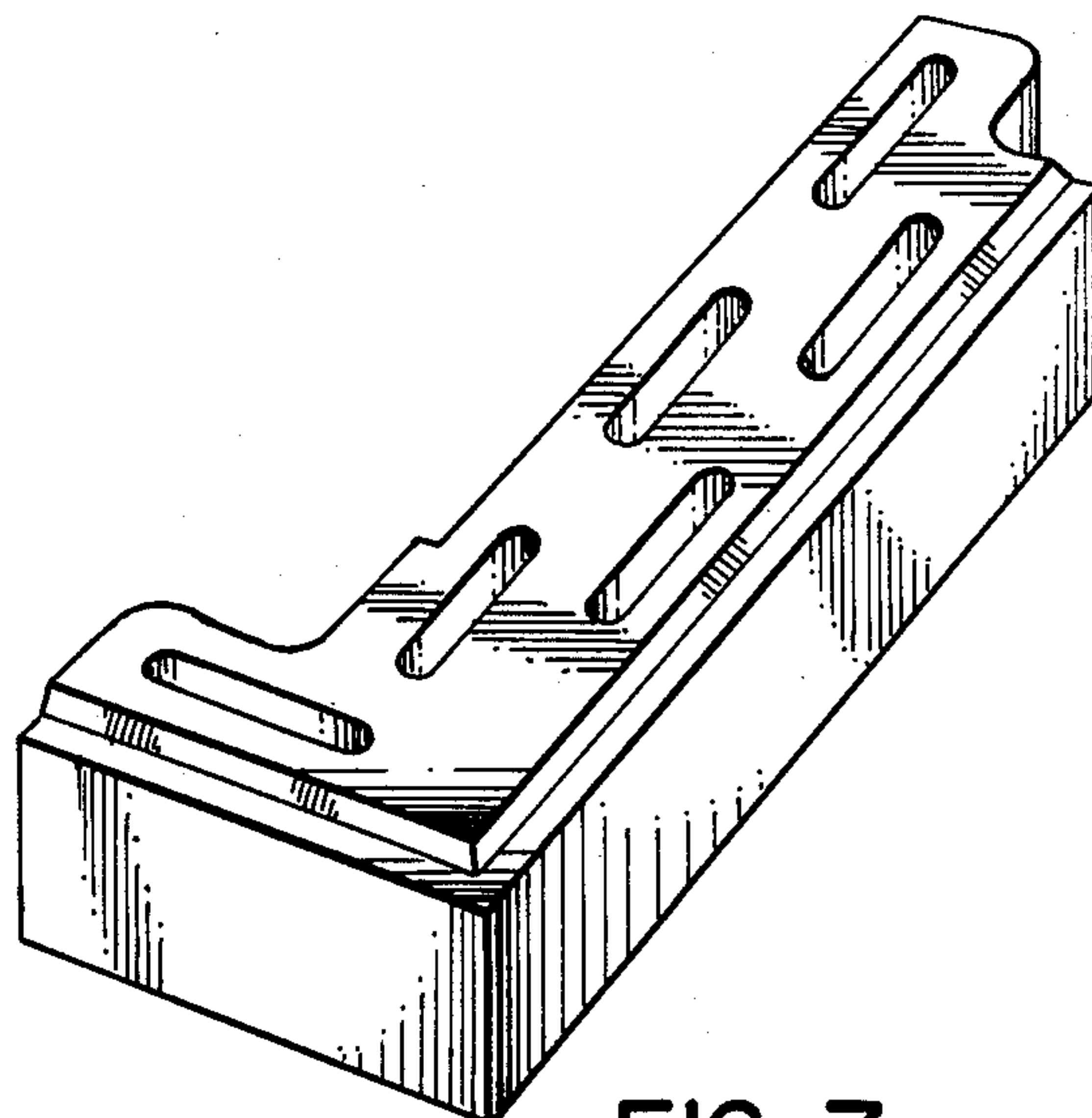


FIG. 7

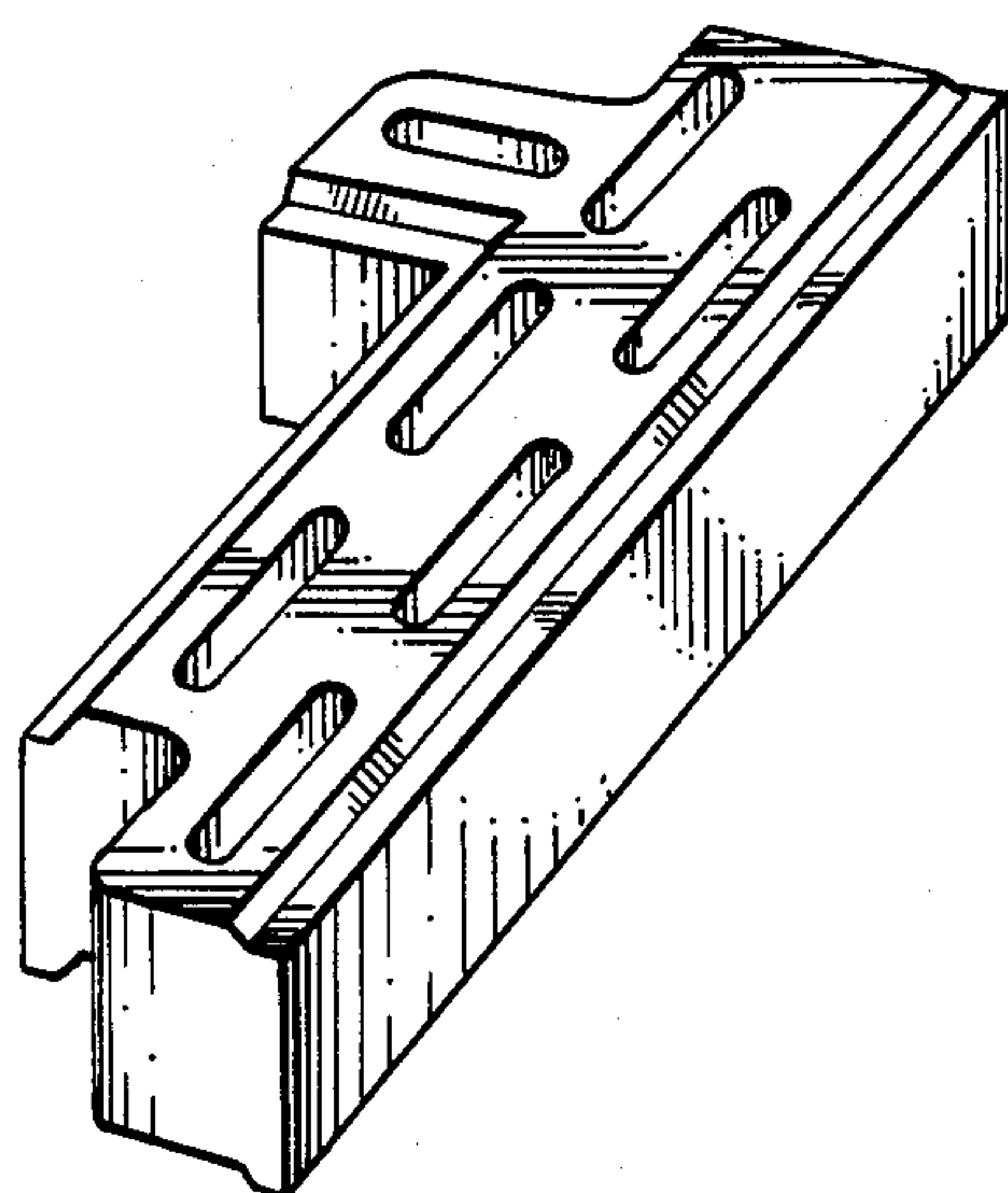


FIG. 8

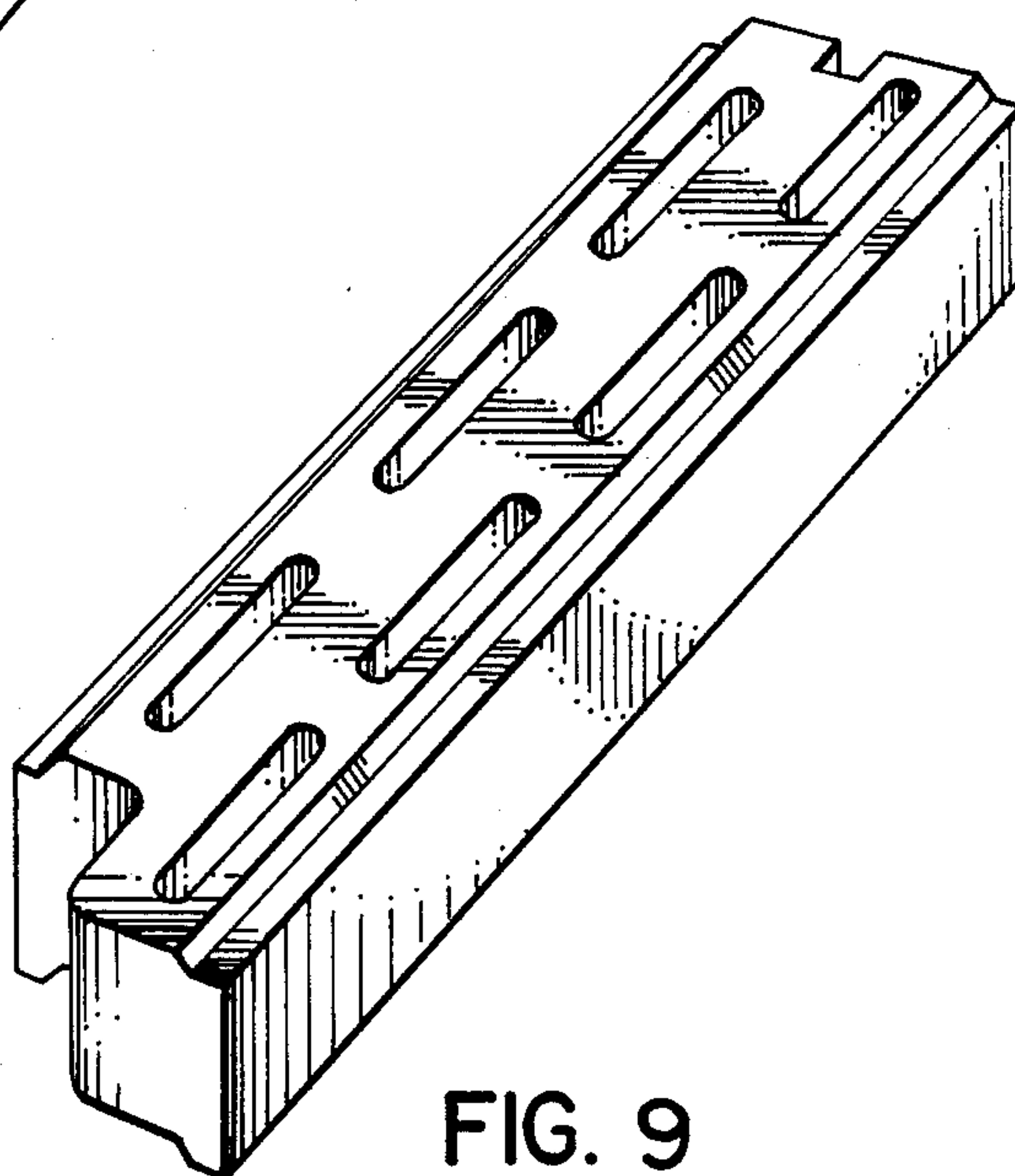


FIG. 9