

[54] INHALATOR

[75] Inventors: Robert E. Newell, Pinner; Paul K. Rand, Hitchin, both of England

[73] Assignee: Glaxo Group Limited, London, England

[\*\*] Term: 14 Years

[21] Appl. No.: 844,284

[22] Filed: Mar. 13, 1986

[30] Foreign Application Priority Data

Sep. 16, 1985 [GB] United Kingdom ..... 1029228  
[52] U.S. Cl. .... D24/62  
[58] Field of Search ..... D24/62; 128/200.23, 128/200.14, 200.15, 200.16, 200.21, 203.15, 203.23, 203.24

[56] References Cited

U.S. PATENT DOCUMENTS

D. 189,076 10/1960 Russell ..... D24/62  
3,739,950 6/1973 Gorman ..... 128/200.23 X

4,130,116 12/1978 Cavazza ..... 128/200.23  
4,509,515 4/1985 Altounyan et al. .... 128/200.23  
4,641,644 2/1987 Andersson et al. .... 128/200.23

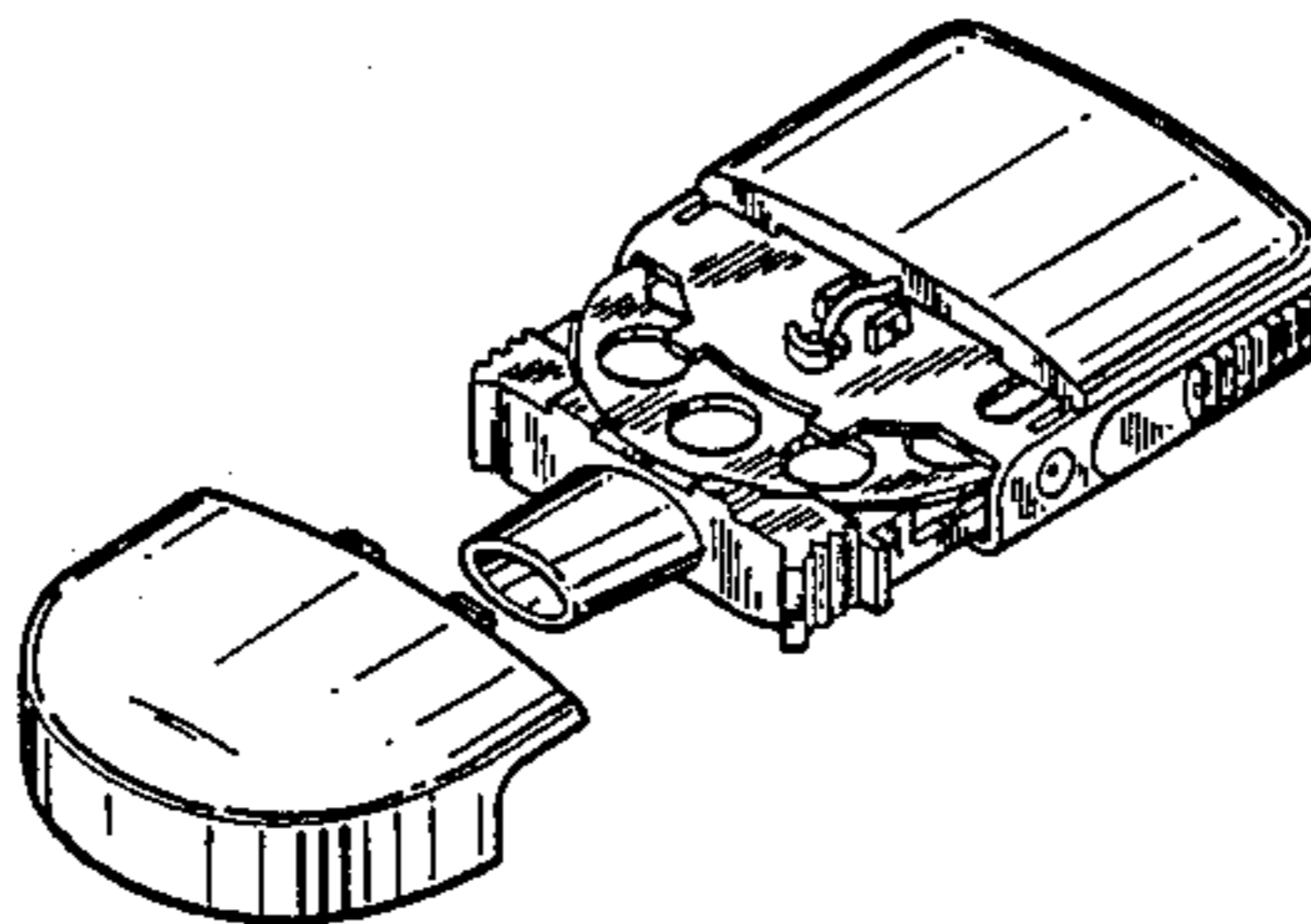
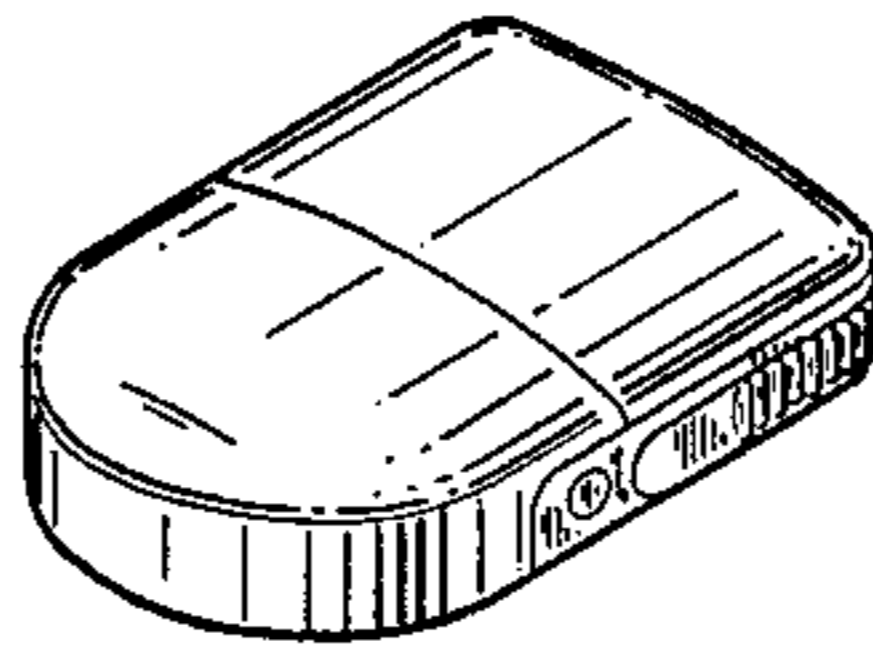
Primary Examiner—Wallace R. Burke  
Assistant Examiner—Stella M. Reid  
Attorney, Agent, or Firm—McAulay, Fields, Fisher, Goldstein & Nissen

[57] CLAIM

The ornamental design for an inhalator, as shown and described.

DESCRIPTION

FIG. 1 is a top perspective view of an inhalator showing our new design, in closed position;  
FIG. 2 is a top perspective view thereof, in open position;  
FIG. 3 is a top plan view thereof;  
FIG. 4 is a right side elevational view, the left side elevational view being a mirror image thereof;  
FIG. 5 is a front elevational view thereof;  
FIG. 6 is a bottom plan view thereof; and  
FIG. 7 is a rear elevational view thereof.



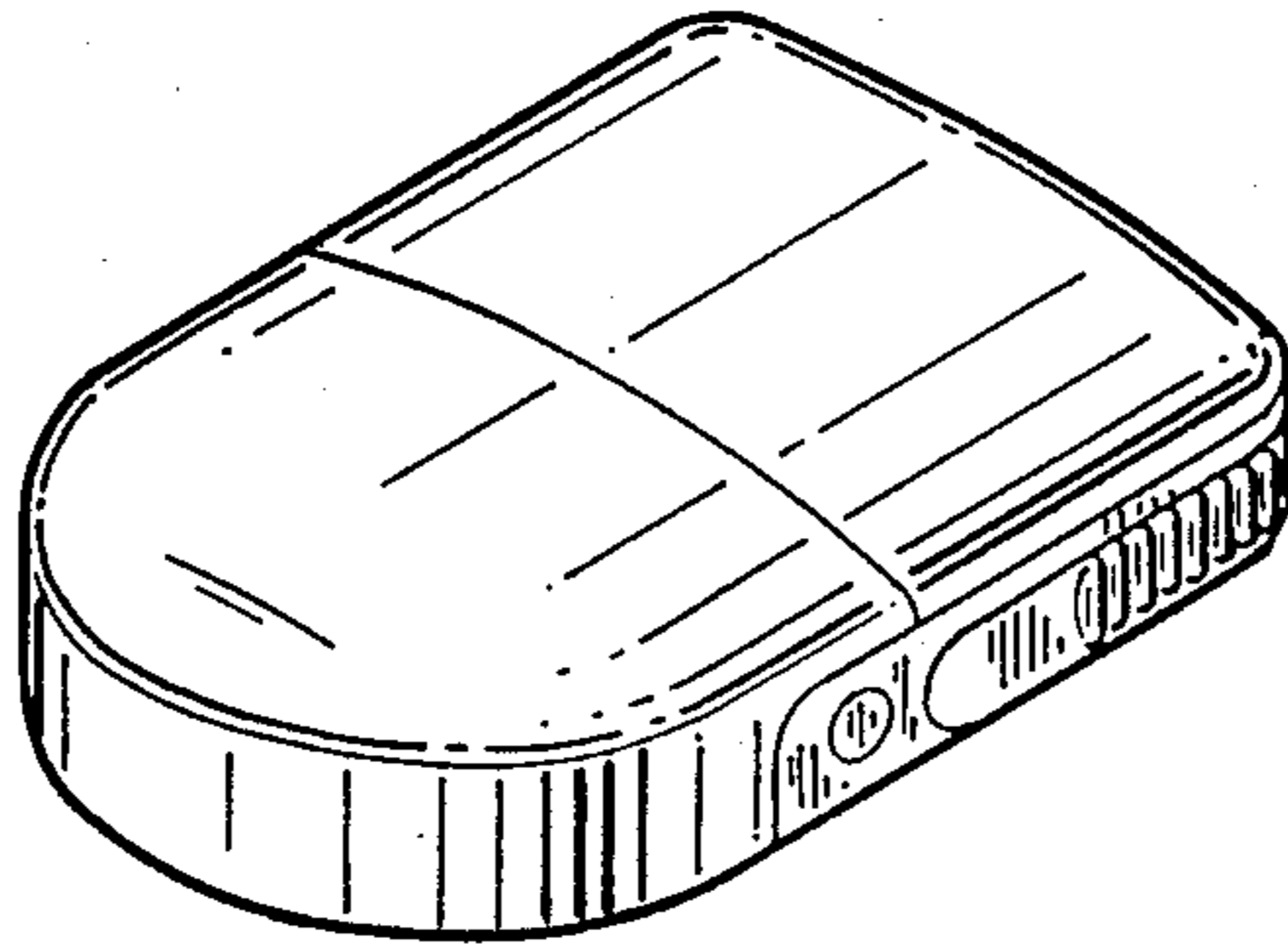


Fig.1

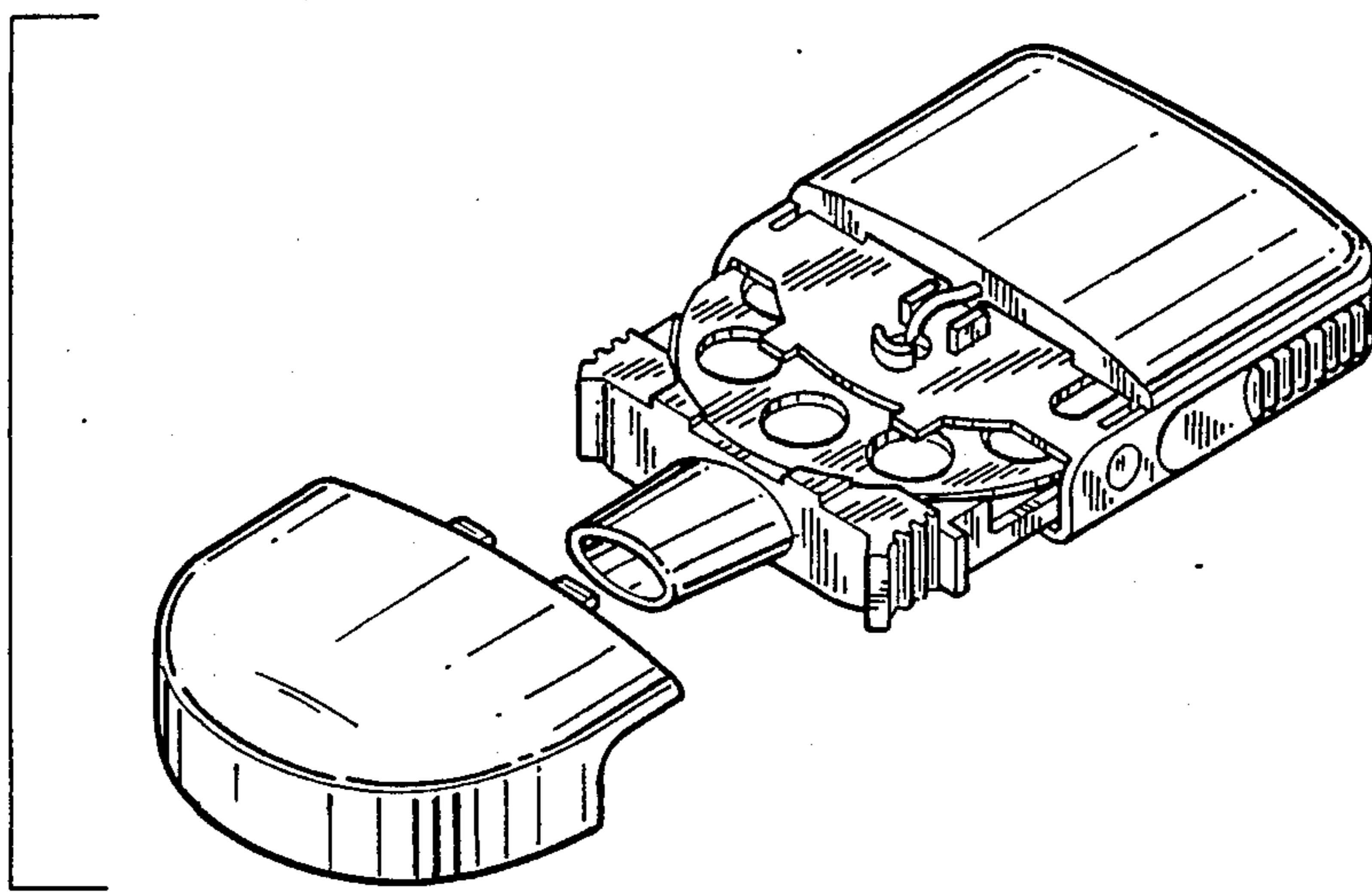


Fig.2

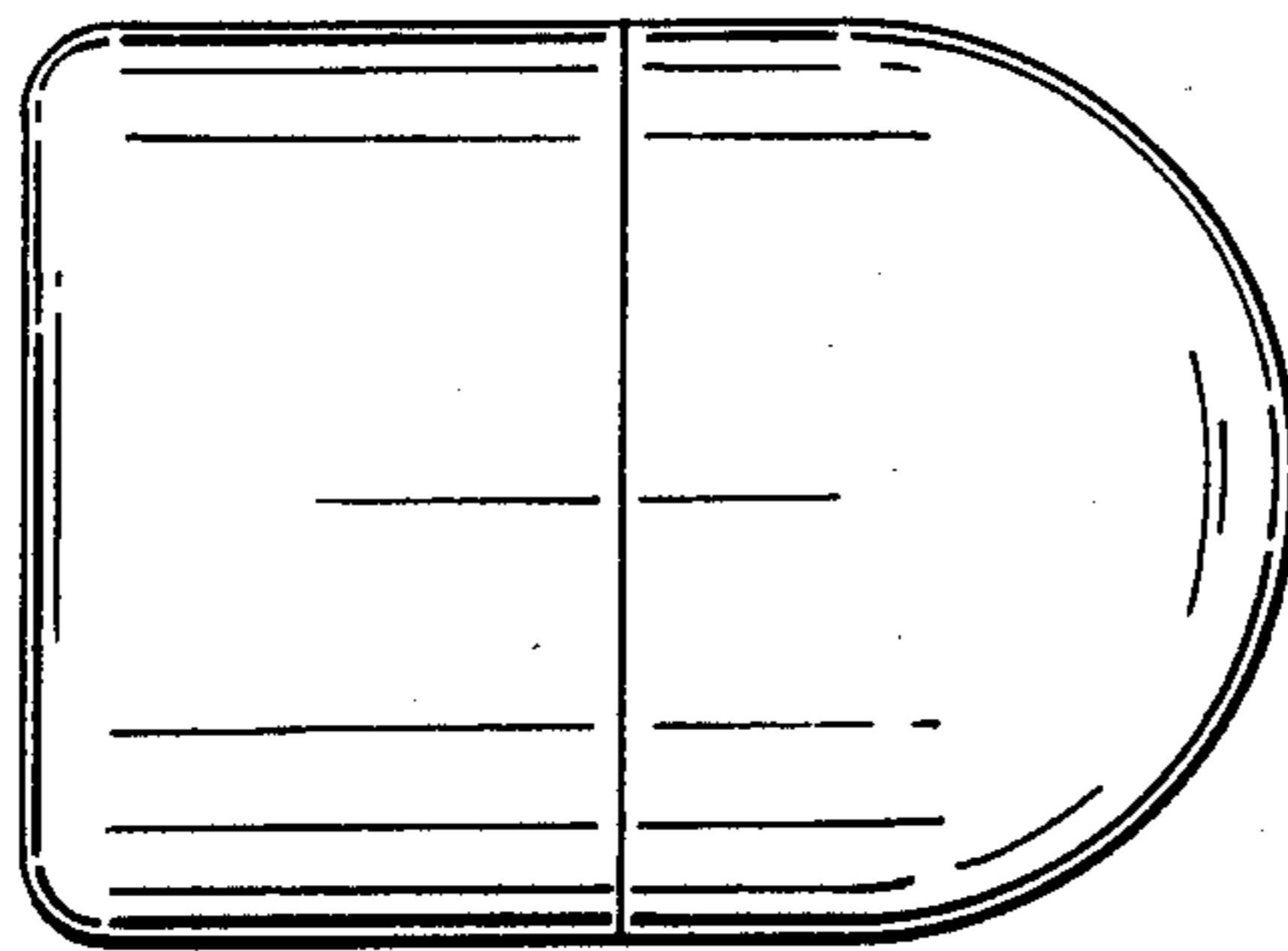


Fig.3

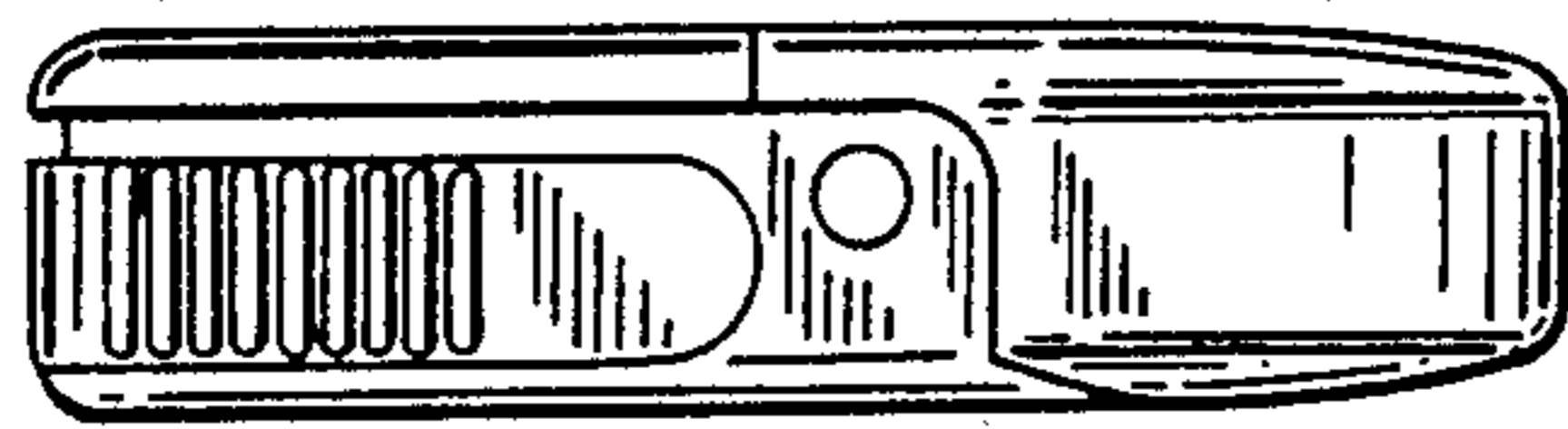


Fig.4

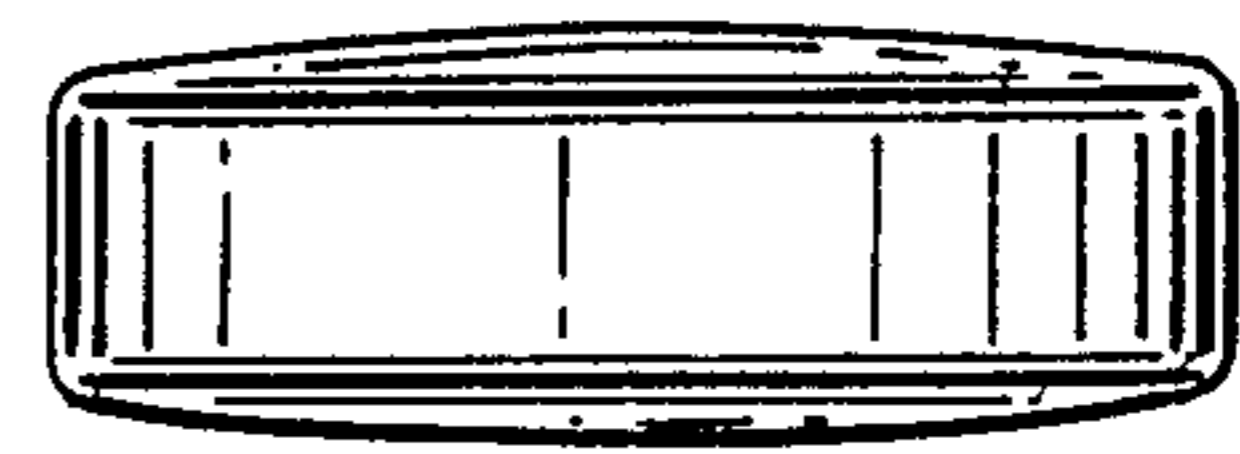


Fig.5

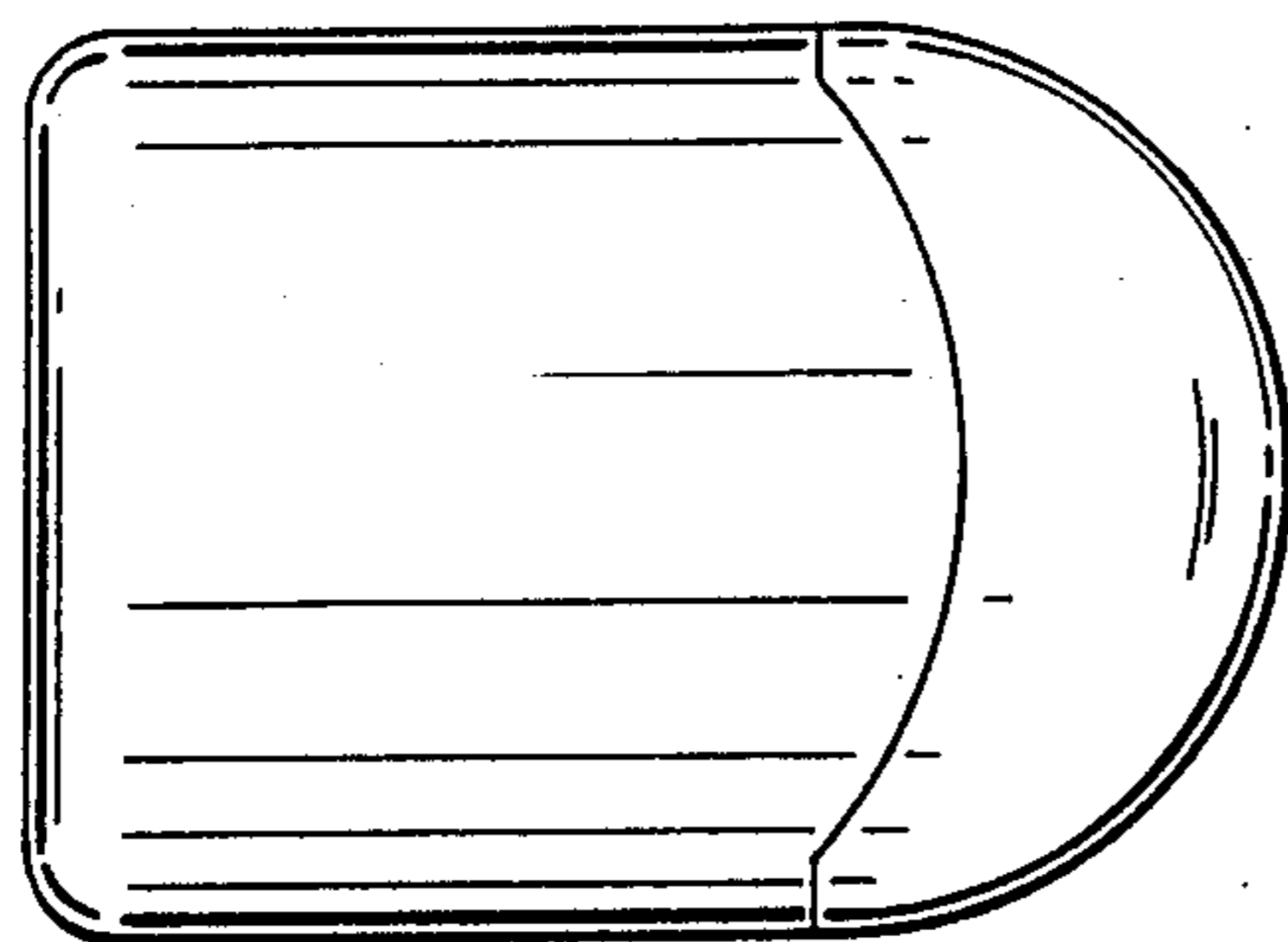


Fig.6



Fig.7