

[54] PIPETTOR

[75] Inventors: George P. Kalmakis, Reading; R. Laurence Keene, Brookline, both of Mass.; Gary E. Nelson, Nashua, N.H.; Victor A. Torti, Groton, Mass.

[73] Assignee: Matrix Technologies Corporation, Lowell, Mass.

[**] Term: 14 Years

[21] Appl. No.: 841,726

[22] Filed: Mar. 5, 1986

[52] U.S. Cl. D24/55

[58] Field of Search D24/55, 8, 51, 23; 73/864.14, 864.12, 864.15

[56] References Cited

U.S. PATENT DOCUMENTS

- D. 199,309 10/1964 Tietje et al. D24/55
- D. 224,102 7/1972 Raczak D24/55

- D. 277,314 1/1985 Alvarez et al. D24/55
- 3,719,087 3/1973 Thiers 73/864.14
- 3,945,254 3/1976 Rebold 73/864.14
- 4,624,147 11/1986 Kenney 73/864.15

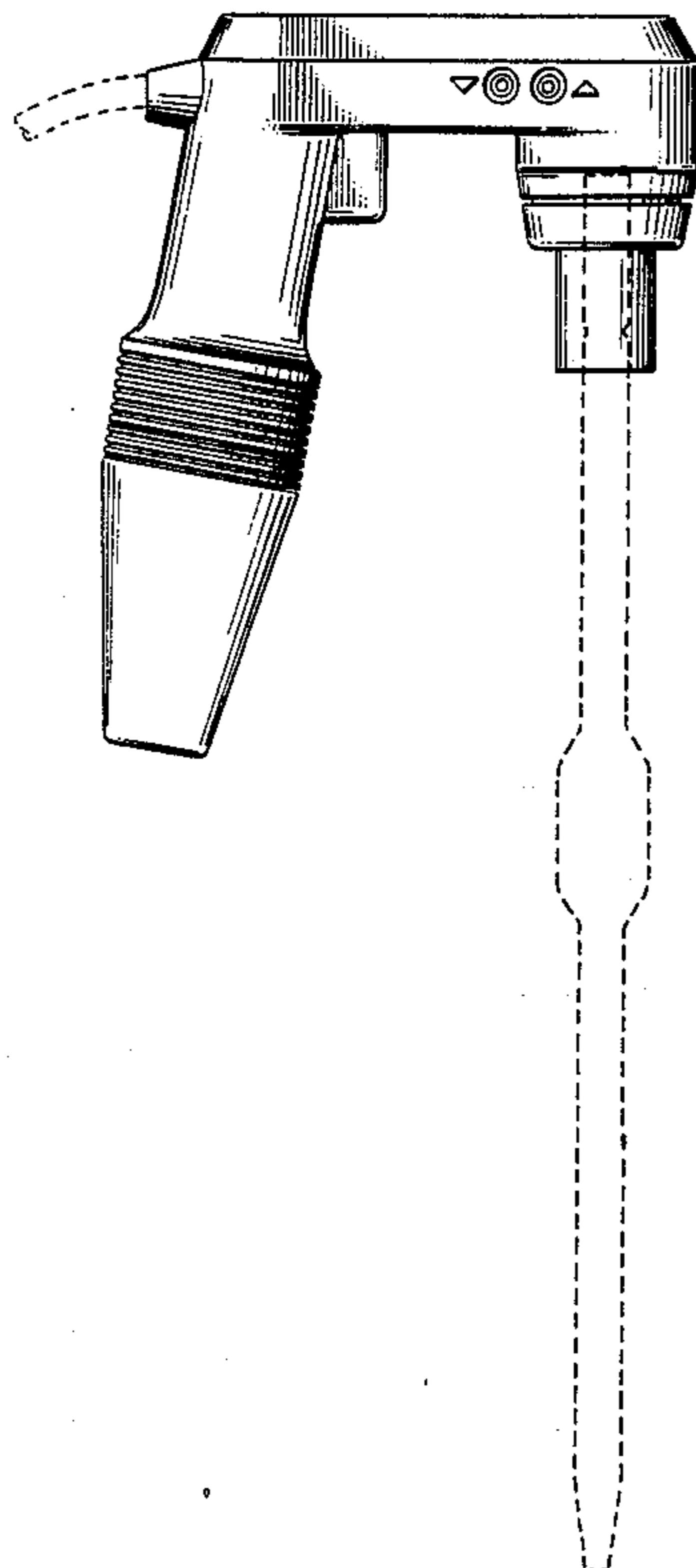
Primary Examiner—Wallace R. Burke
Assistant Examiner—Stella M. Reid
Attorney, Agent, or Firm—Jerry Cohen

[57] CLAIM

The ornamental design for a pipettor, as shown and described.

DESCRIPTION

FIG. 1 is a side elevational view of a pipettor showing our new design;
FIG. 2 is a front elevational view thereof;
FIG. 3 is a rear elevational view thereof;
FIG. 4 is a top plan view thereof; and,
FIG. 5 is a bottom plan view thereof.
The broken line showing of the pipette and tube in FIG. 1 and of the tube in FIGS. 3 and 4 is for illustrative purposes only and forms no part of the claimed design.



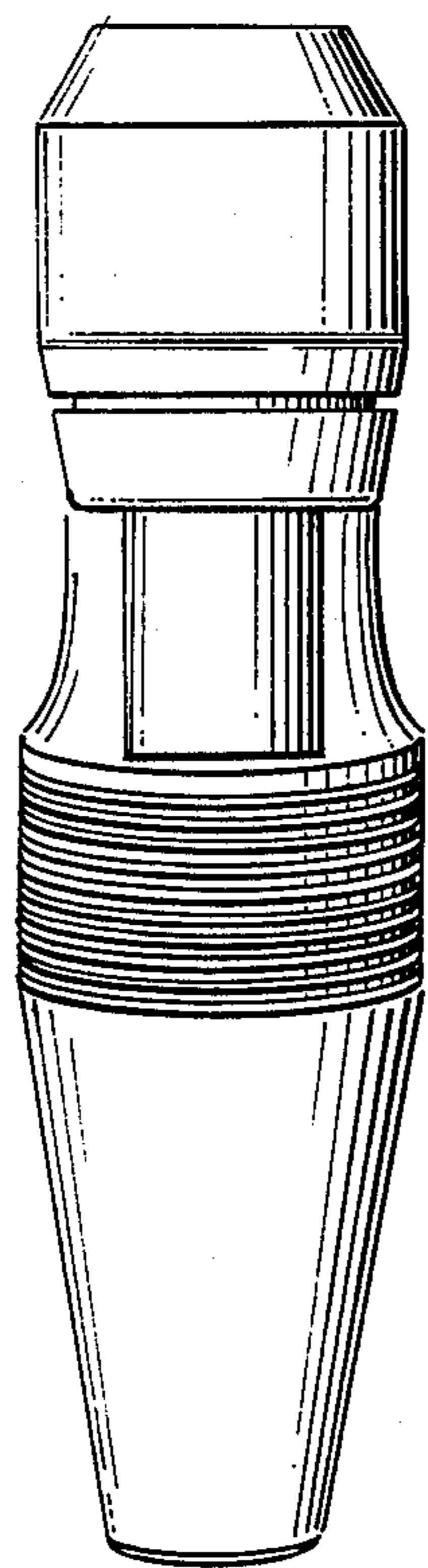
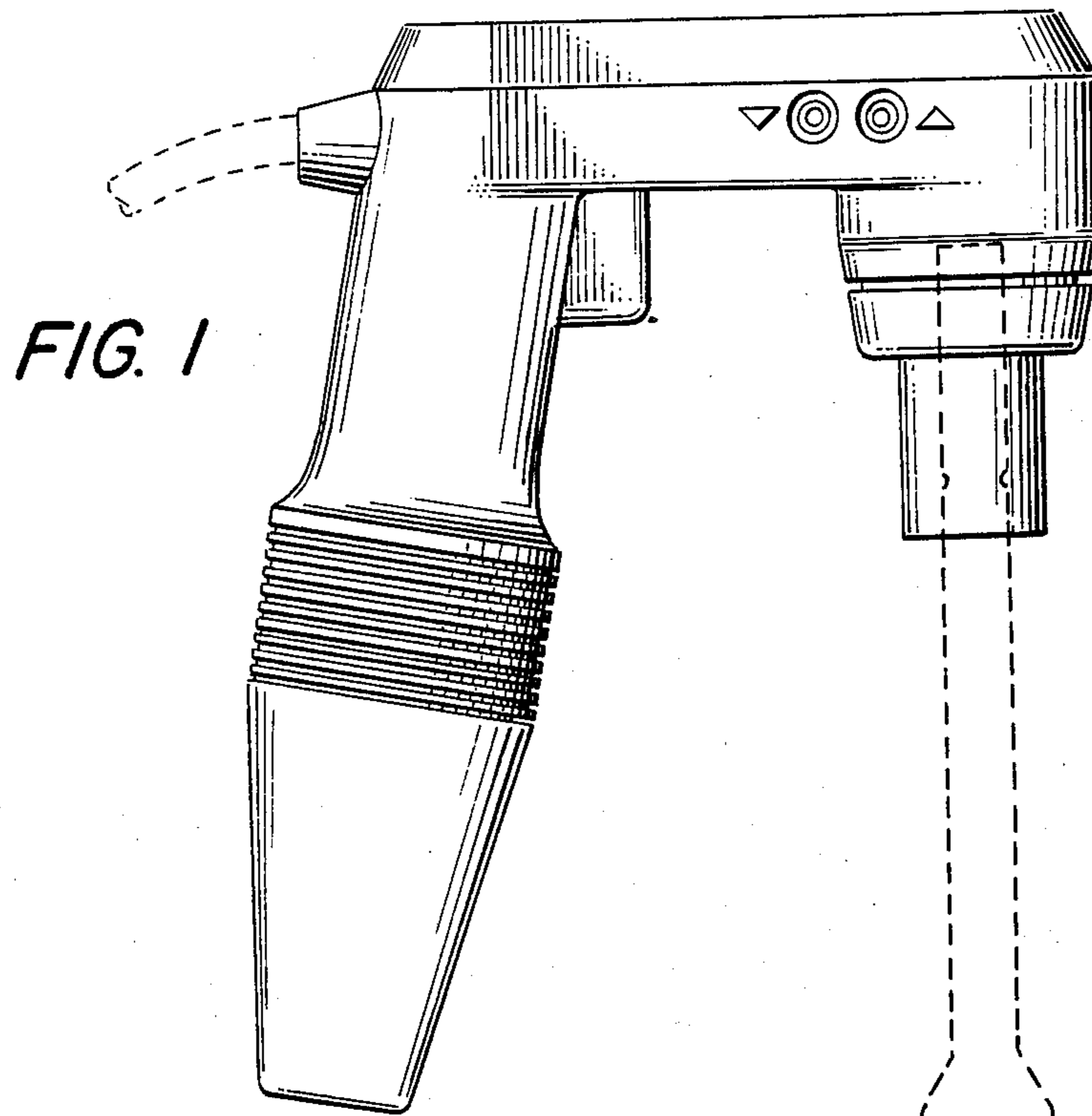
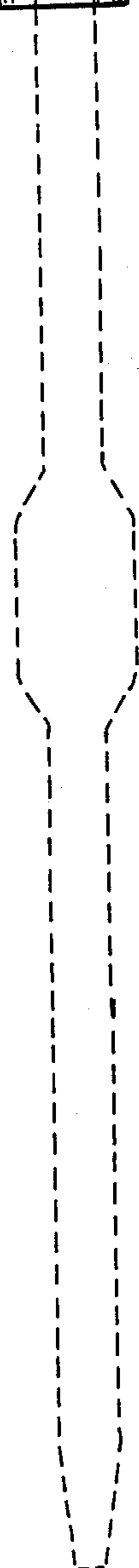


FIG. 2



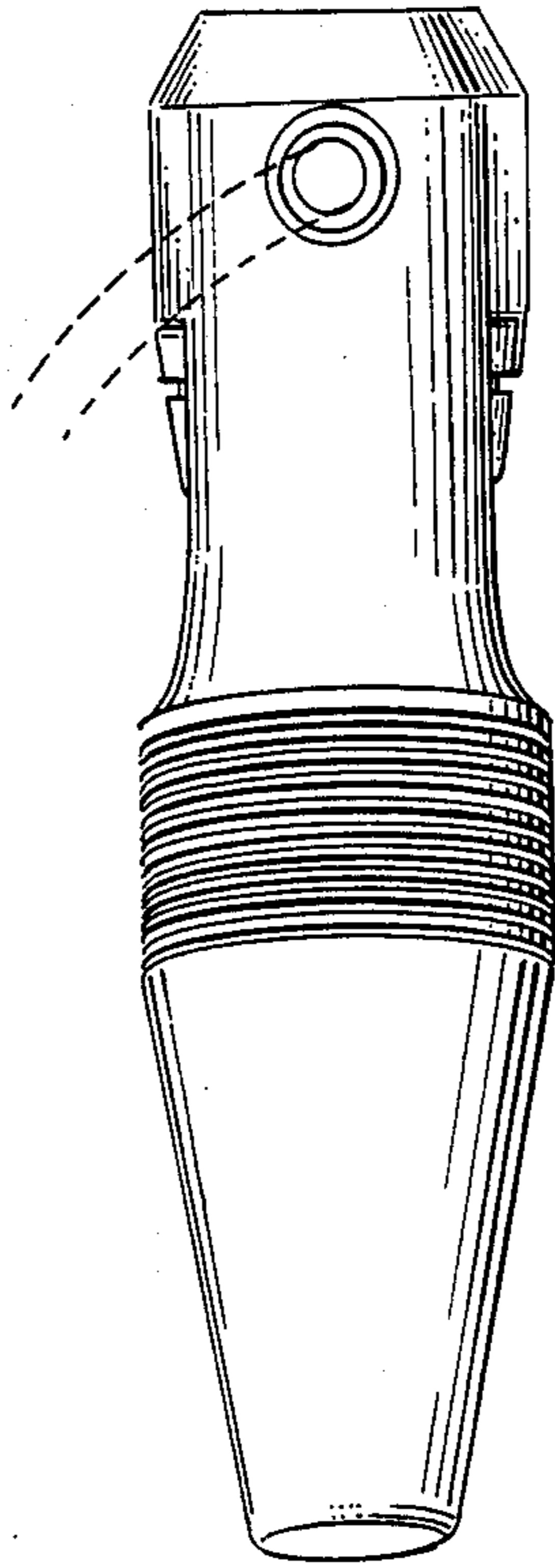


FIG. 3

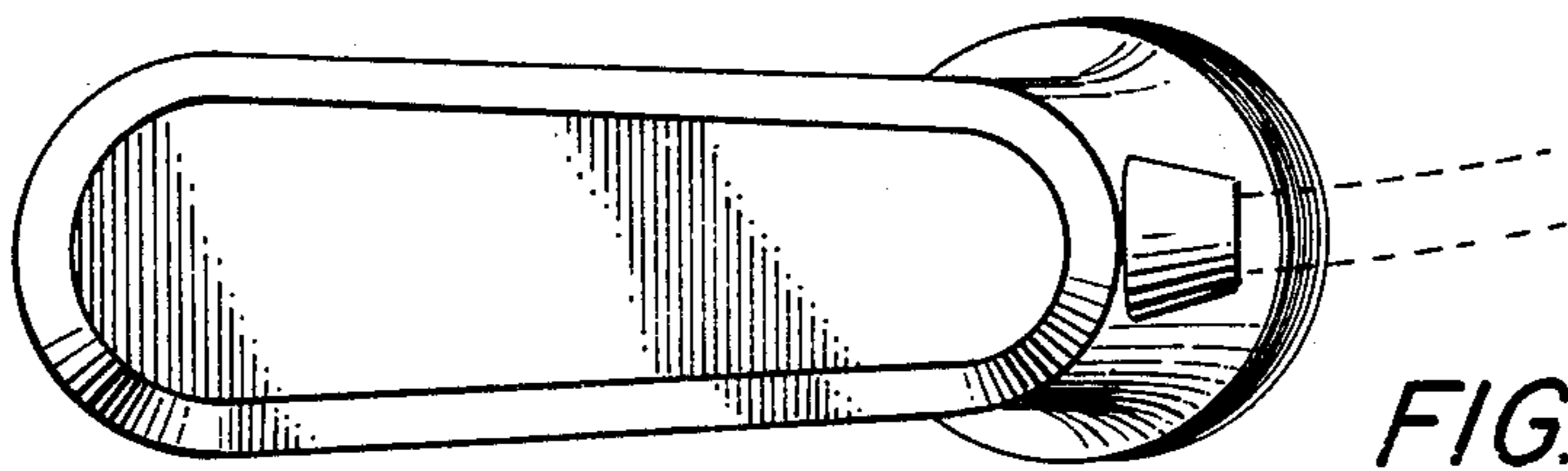


FIG. 4

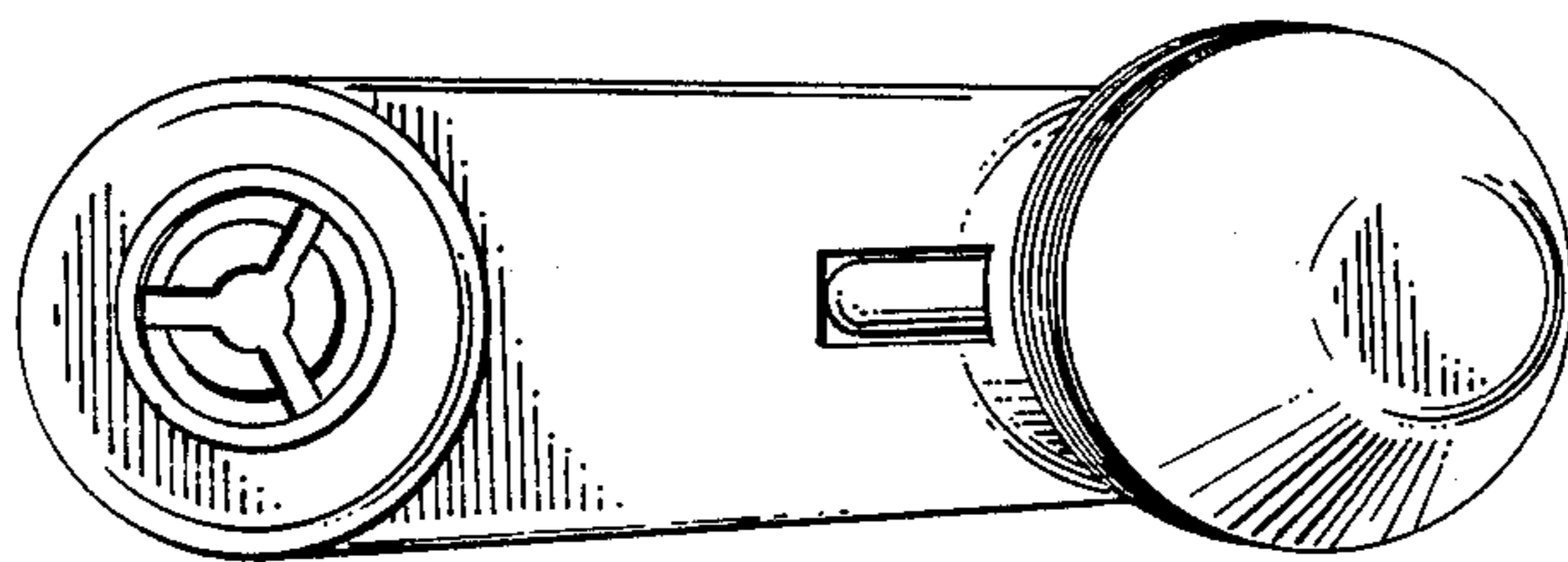


FIG. 5