

[54] HYDRO-MASSAGE APPLIANCE

[75] Inventors: H. Gerald Young, South Plainfield; George J. Schimpf, Somerset, both of N.J.; Morris M. Levine, Scarsdale, N.Y.

[73] Assignee: The Regina Company, Rahway, N.J.

[**] Term: 14 Years

[21] Appl. No.: 872,748

[22] Filed: Jun. 9, 1986

[52] U.S. Cl. D24/38

[58] Field of Search D24/38, 40, 36; 128/66; 4/580-583; 5/417, 420, 423, 449

[56] References Cited

U.S. PATENT DOCUMENTS

D. 233,485	10/1974	Klages	D24/38
D. 288,607	3/1987	Baumann et al.	D24/38
3,420,227	1/1969	Voorlas	128/66
3,710,786	1/1973	Rico et al.	128/66

3,809,073 5/1974 Baumann 129/66

Primary Examiner—Wallace R. Burke
Assistant Examiner—Stella M. Reid
Attorney, Agent, or Firm—Martin LuKacher

[57] CLAIM

The ornamental design for a hydro-massage appliance, as shown and described.

DESCRIPTION

FIG. 1 is a top plan view of a hydro-massage appliance showing our new design.

FIG. 2 is a side elevational view, from the right in FIG. 1;

FIG. 3 is a side elevational view, from the left in FIG. 1;

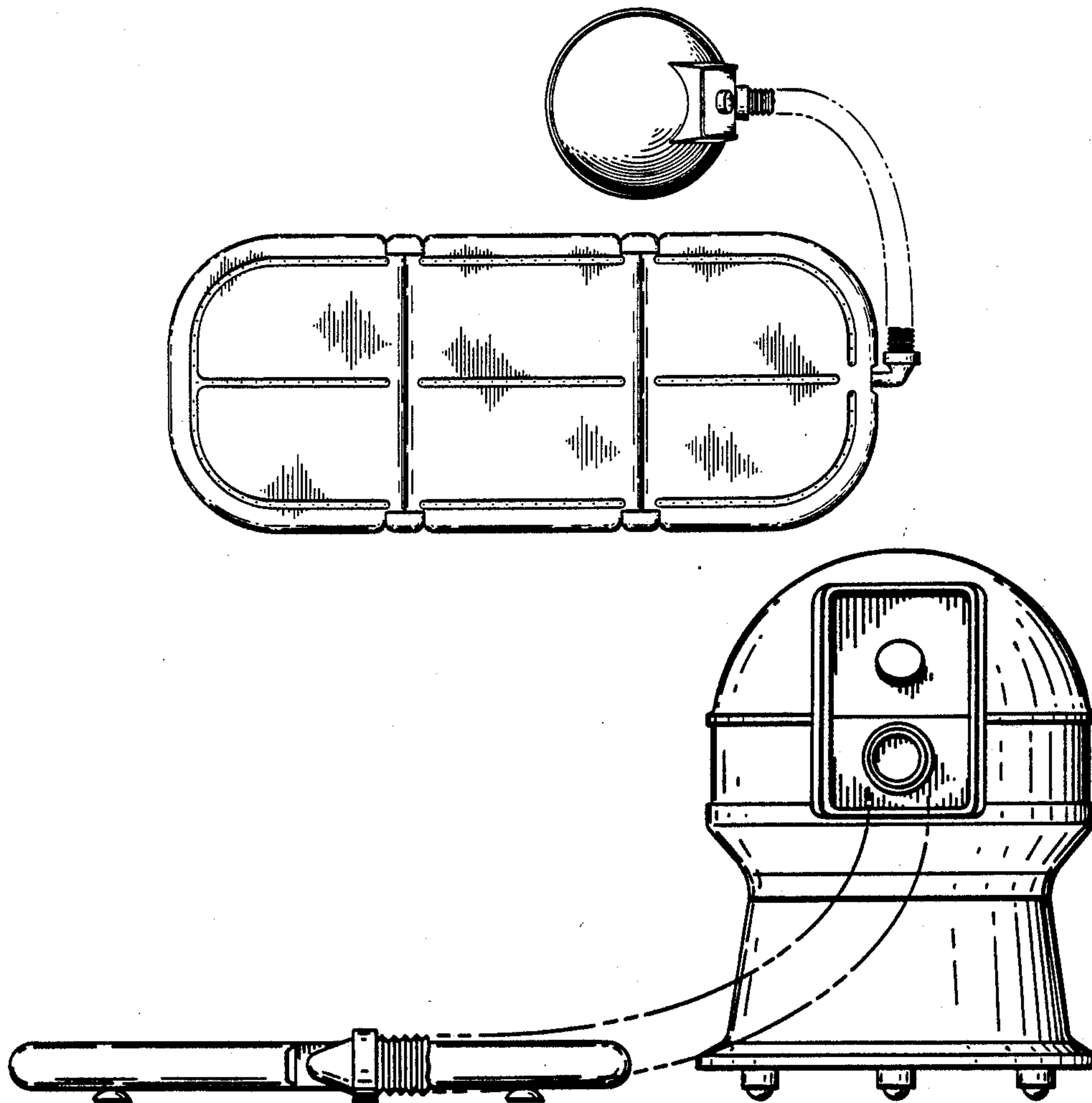
FIG. 4 is a front elevational view thereof;

FIG. 5 is a rear elevational view thereof;

FIG. 6 is a bottom plan view thereof; and

FIG. 7 is a front elevational view of the mat thereof, shown in folded position.

The broken lines showing of the hose in FIGS. 1-6 is shown for indeterminate length.



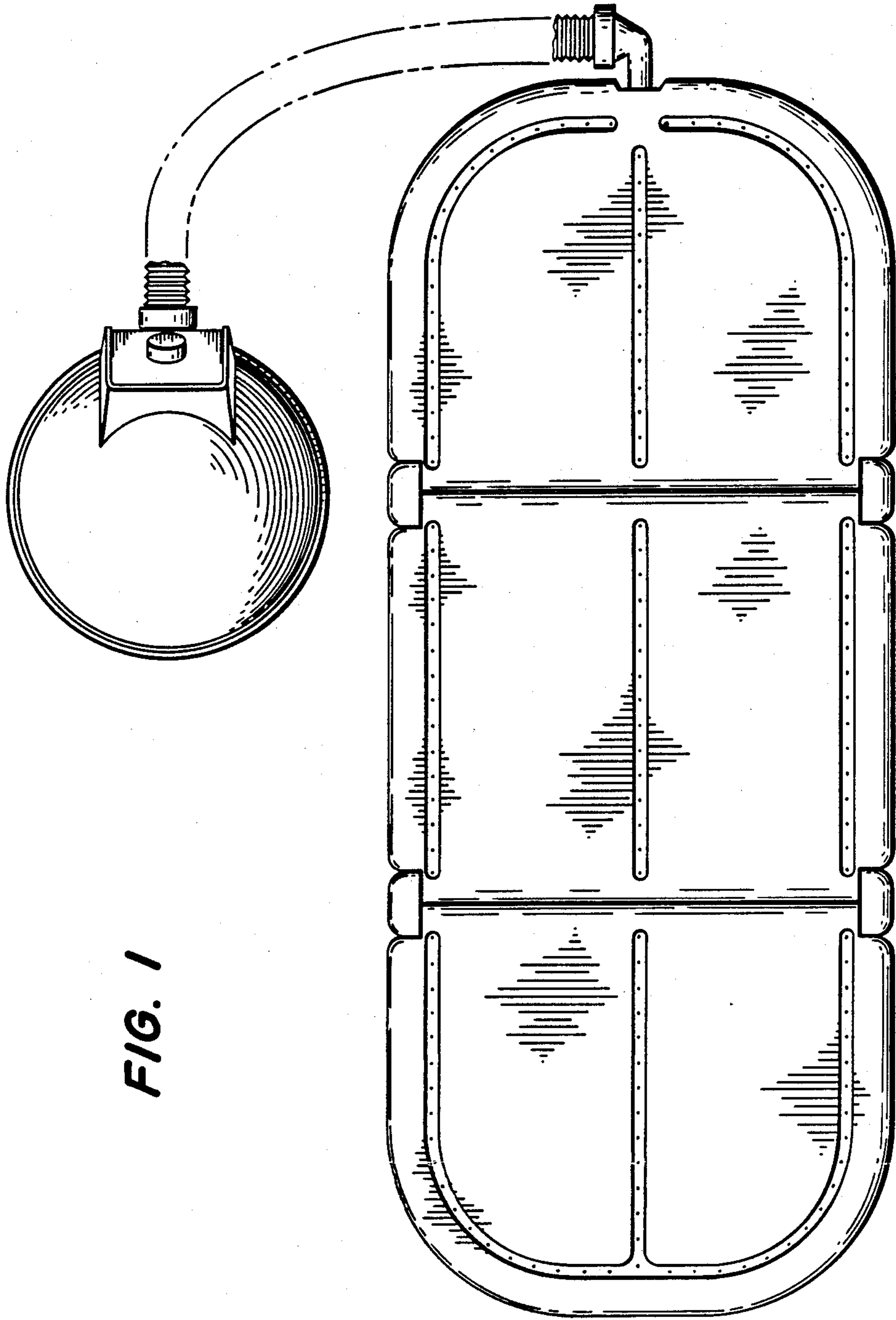


FIG. 1

FIG. 2

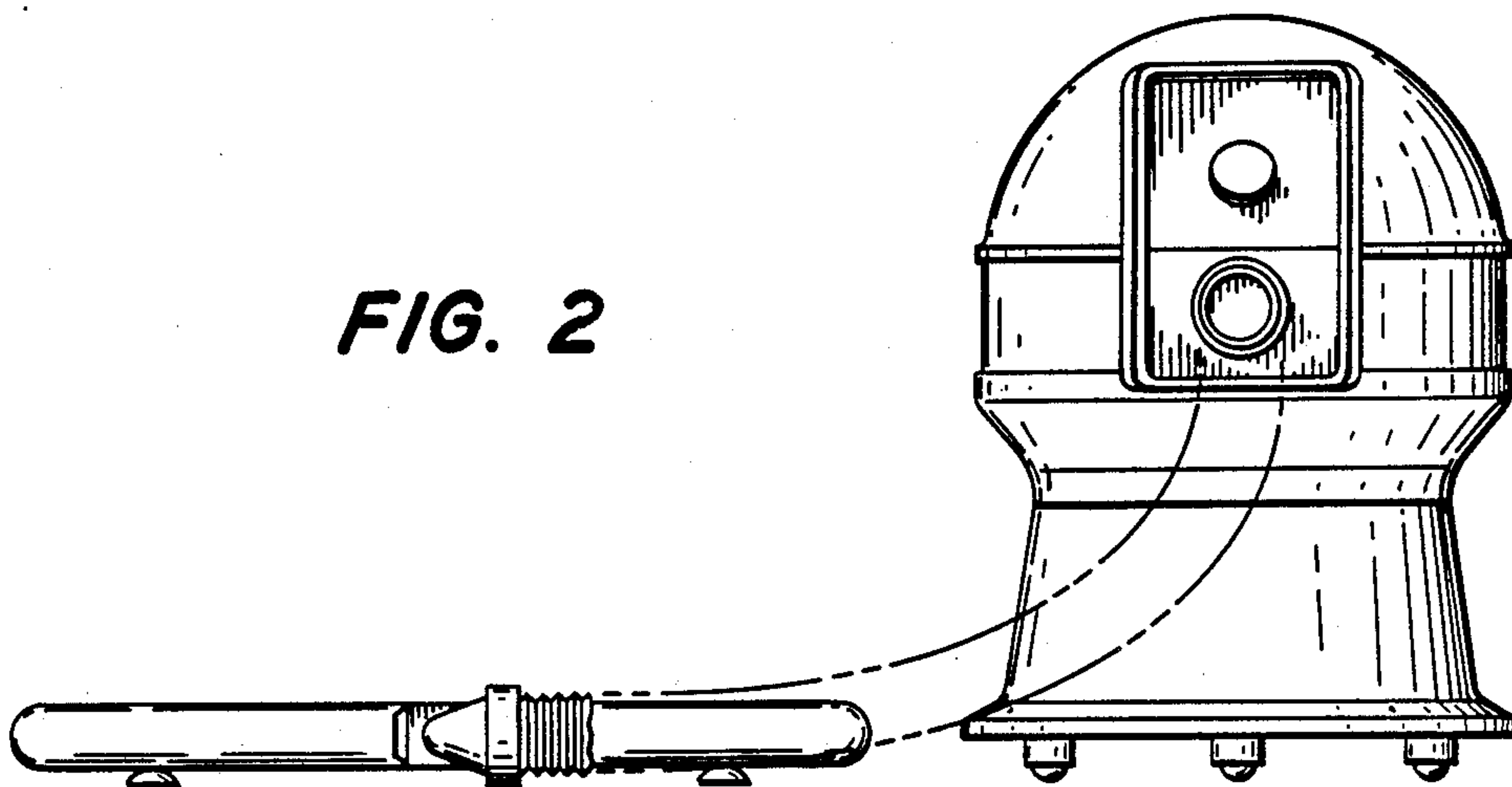


FIG. 3

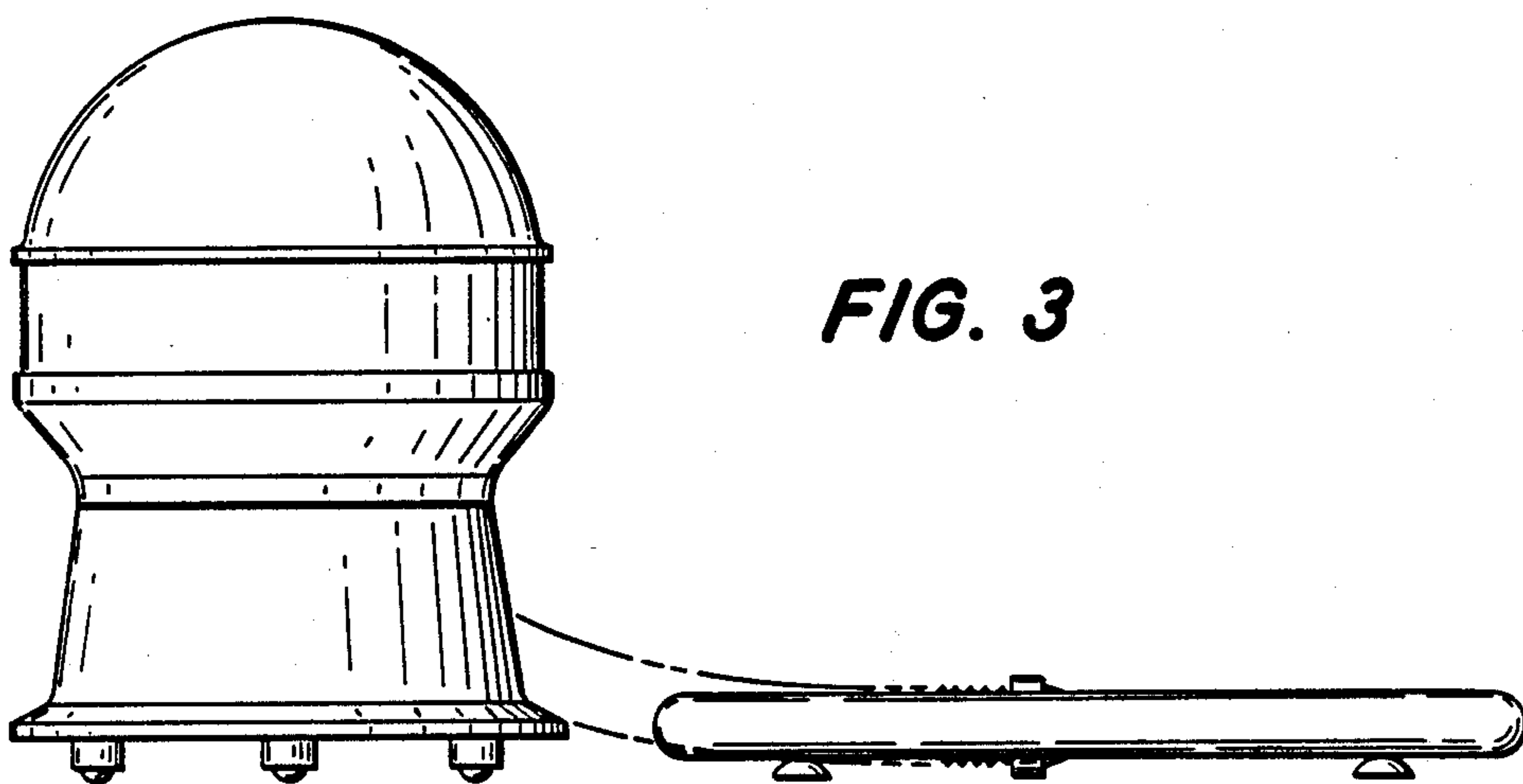
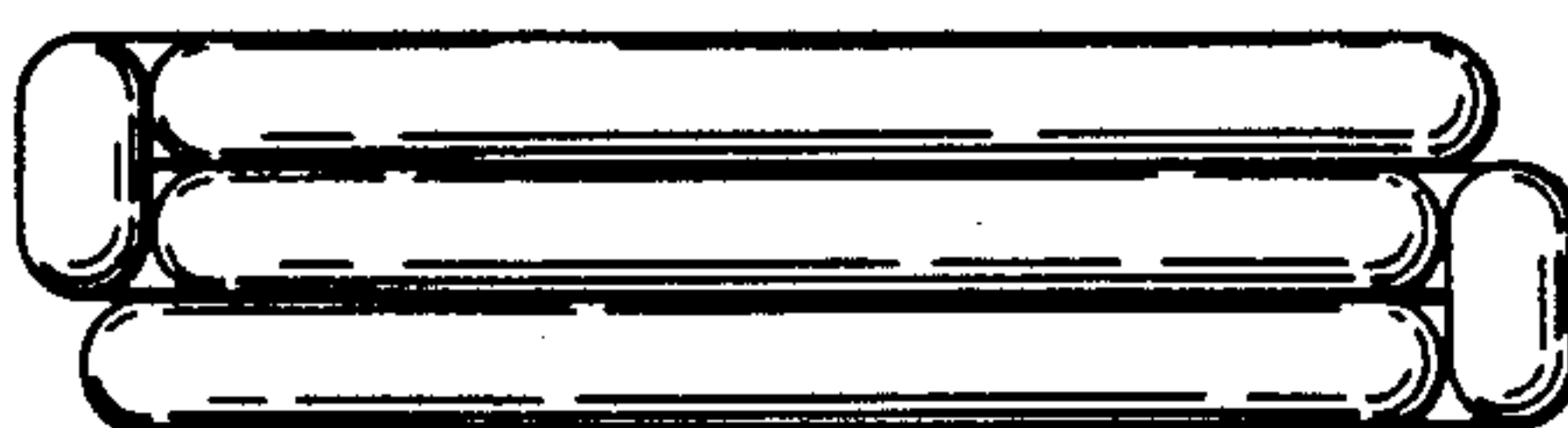


FIG. 7



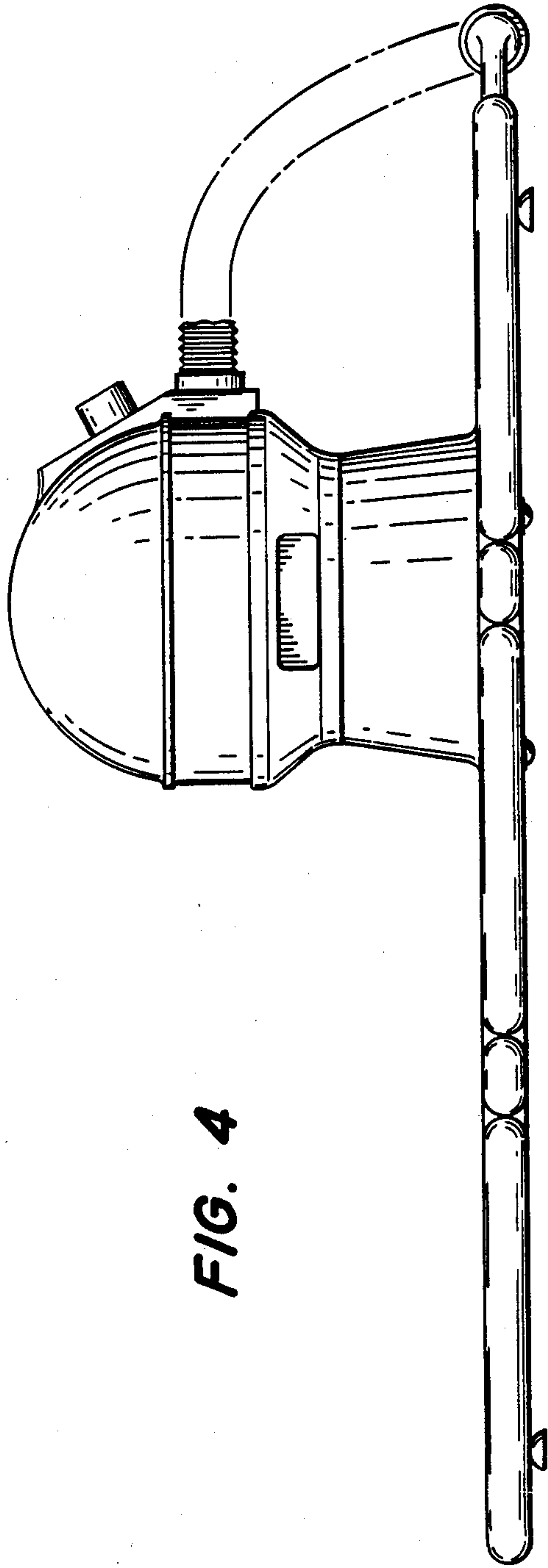


FIG. 4

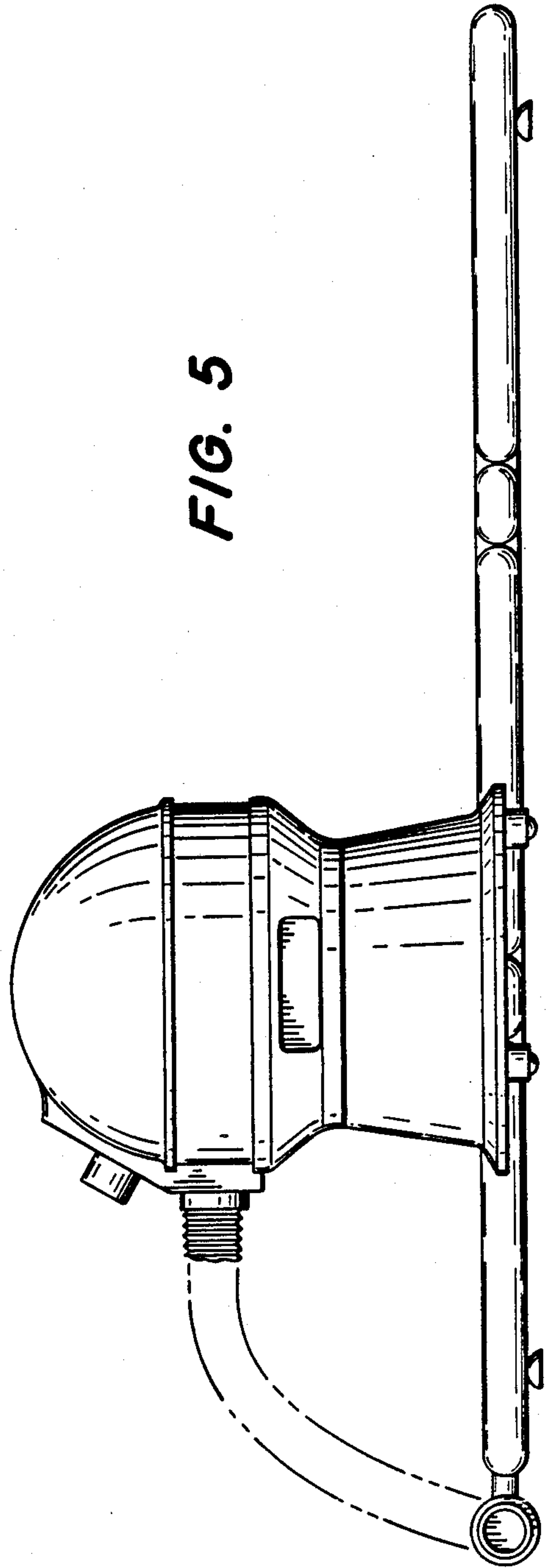


FIG. 5

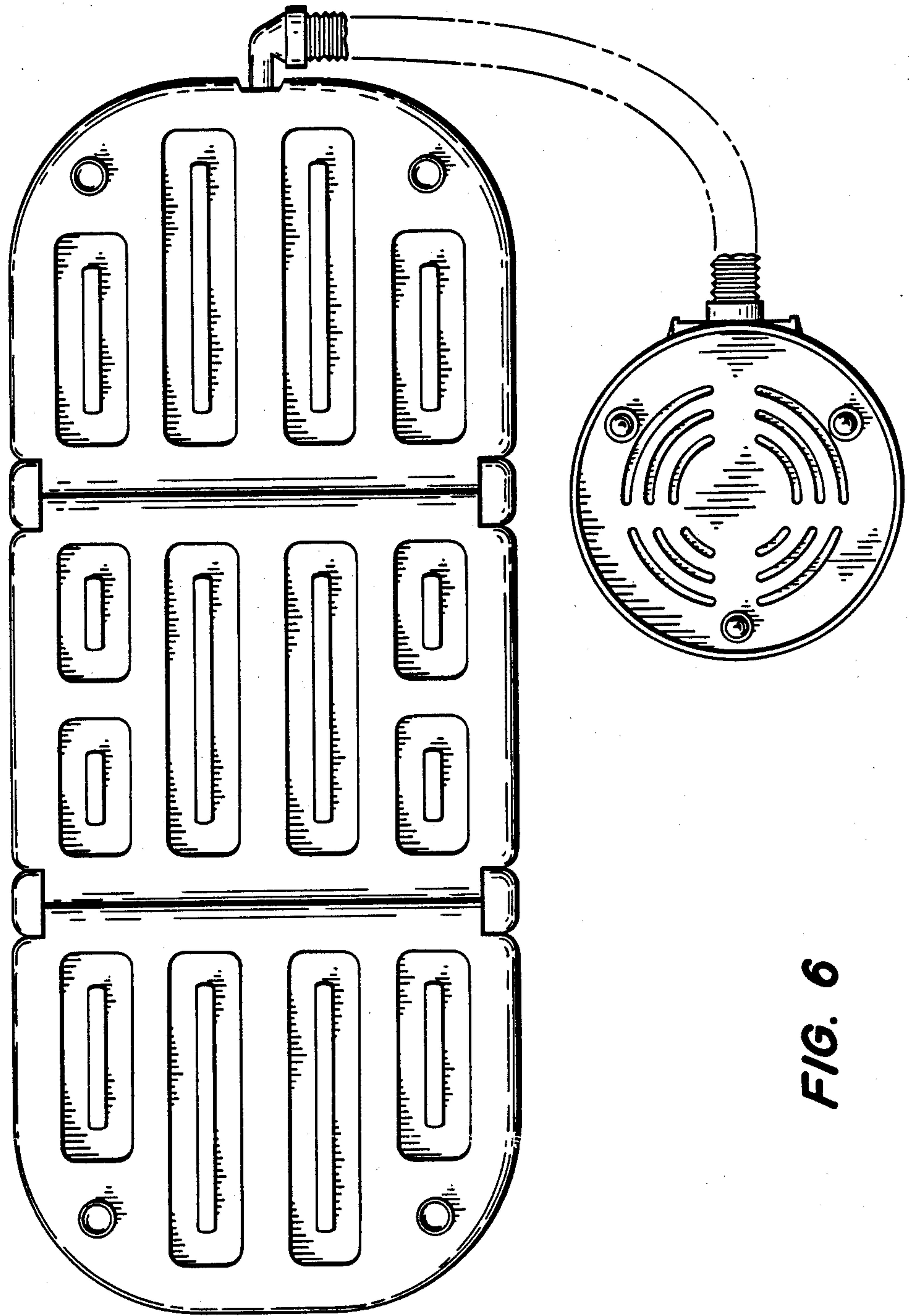


FIG. 6