

[54] **DENTAL COMPOSITE TRAY**

[75] **Inventor: Robert D. Holewinski, Lakehurst, N.J.**

[73] **Assignee: Johnson & Johnson Consumer Products, Inc., New Brunswick, N.J.**

[\*\*] **Term: 14 Years**

[21] **Appl. No.: 863,552**

[22] **Filed: May 15, 1986**

[52] **U.S. Cl. .... D24/31; D24/16**

[58] **Field of Search .... D24/31, 8, 16, 17; 206/219, 368, 363; D9/337, 341, 344, 347, 424, 425**

[56] **References Cited**

**U.S. PATENT DOCUMENTS**

- D. 216,099 11/1969 Ely ..... D9/337
- D. 256,502 8/1980 Borg et al. .... D24/17
- D. 256,727 9/1980 Borg et al. .... D24/17

- D. 275,517 9/1984 Hamilton et al. .... D24/31
- D. 281,813 12/1985 Holewinski et al. .... D24/31 X
- 3,756,571 9/1973 Winberg ..... 206/219 X

*Primary Examiner*—Wallace R. Burke  
*Assistant Examiner*—Stella M. Reid  
*Attorney, Agent, or Firm*—Charles J. Metz

[57] **CLAIM**

The ornamental design for a dental composite tray, as shown.

**DESCRIPTION**

FIG. 1 is a perspective view of a dental composite tray showing my new design, with the lid in closed position. FIG. 2 is a front elevational view thereof; FIG. 3 is a rear elevational view thereof; FIG. 4 is a top plan view thereof; FIG. 5 is a side elevational view thereof, the opposite side being a mirror image; FIG. 6 is a bottom plan view thereof; and FIG. 7 is a perspective view thereof with the lid in closed position.

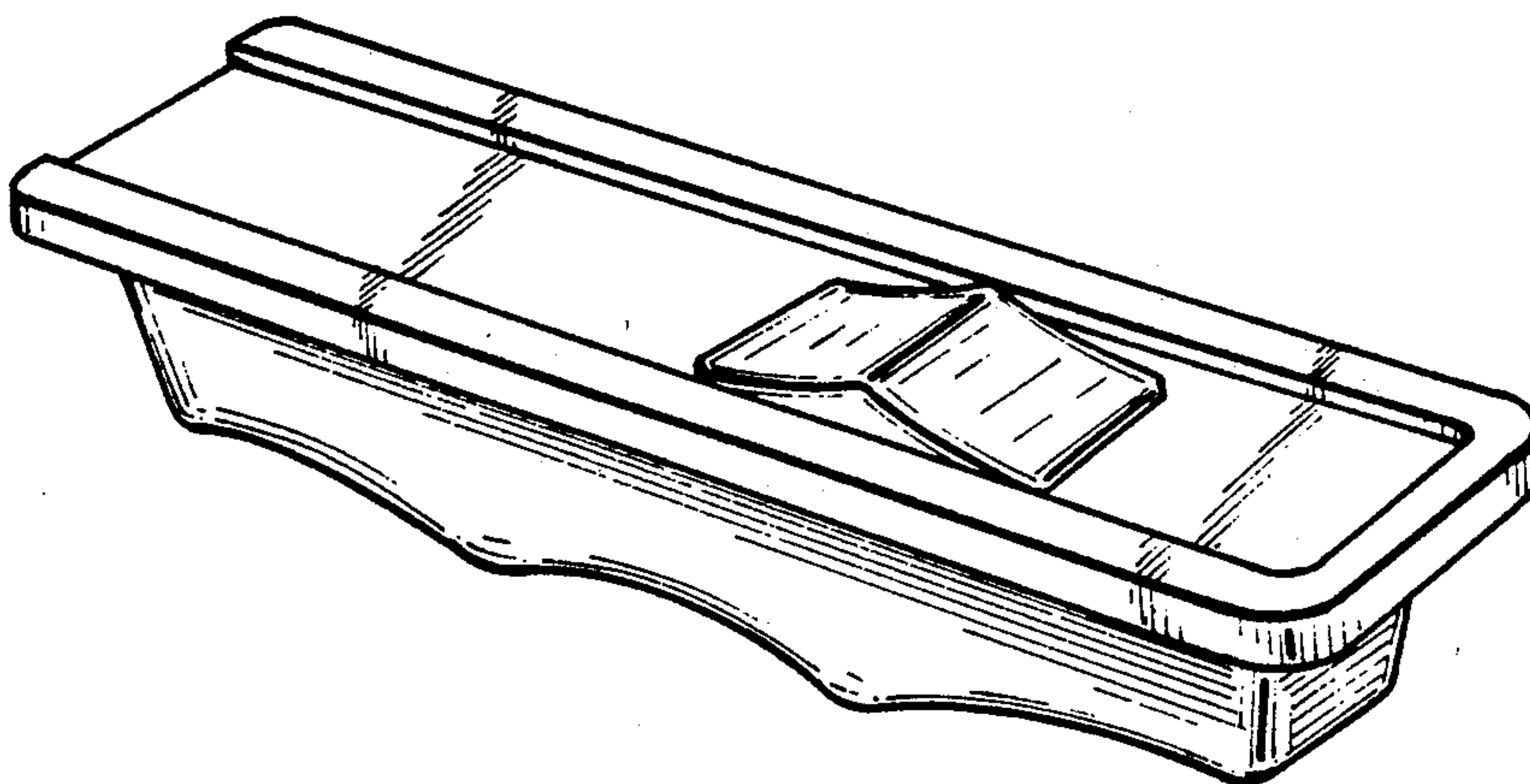


FIG-1

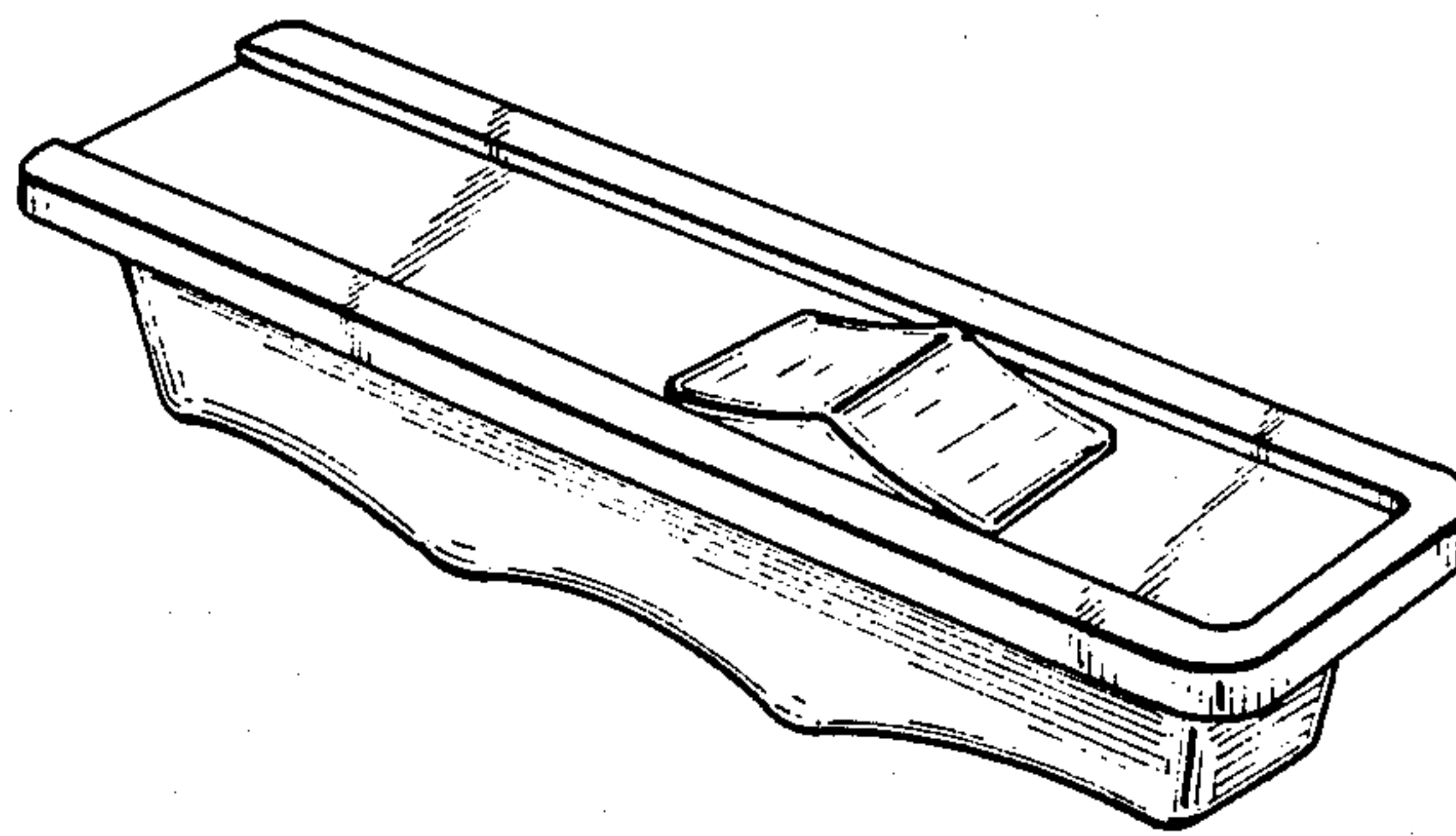


FIG-2

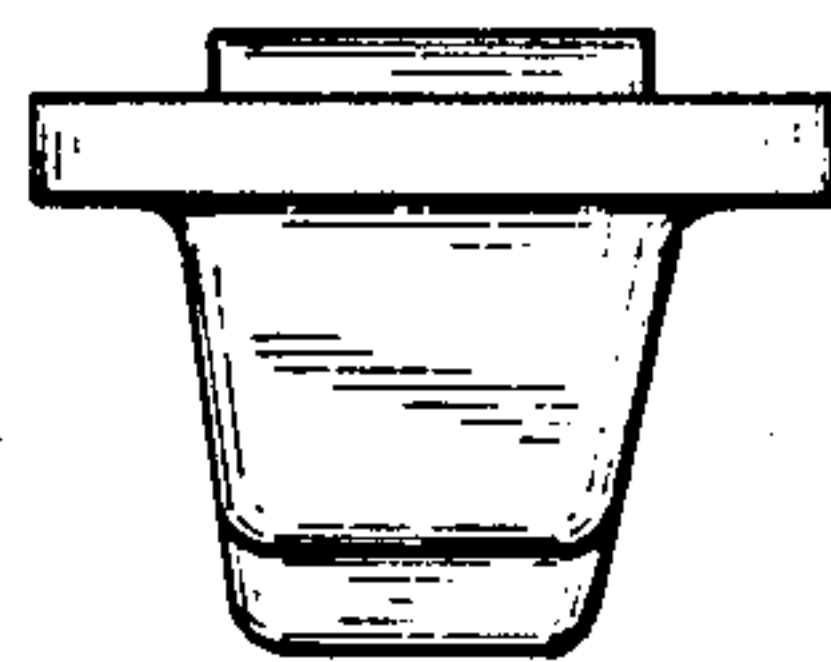


FIG-3

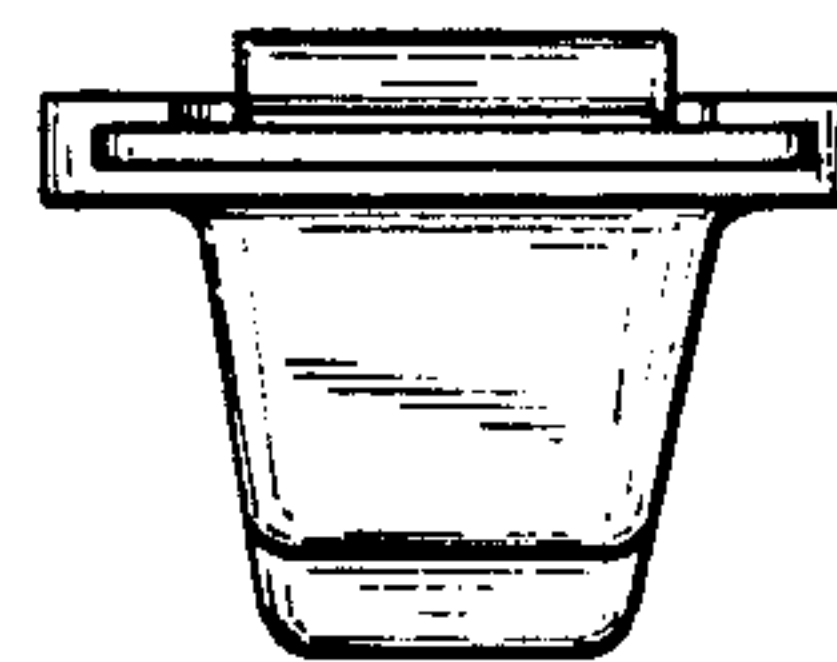


FIG-4

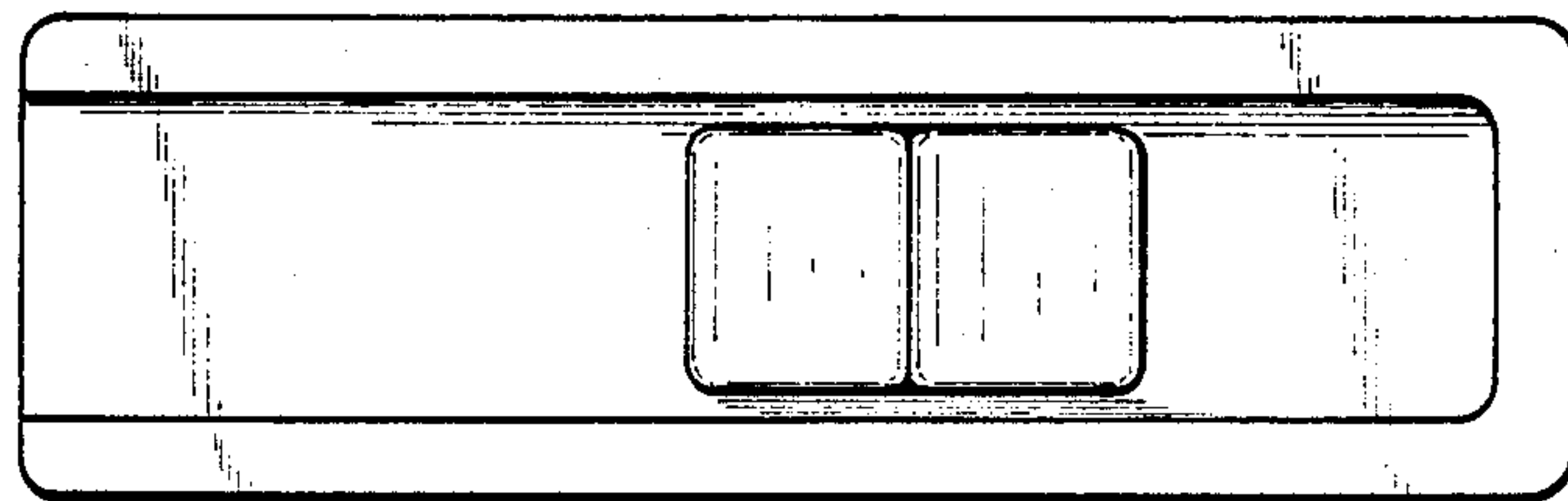


FIG-5

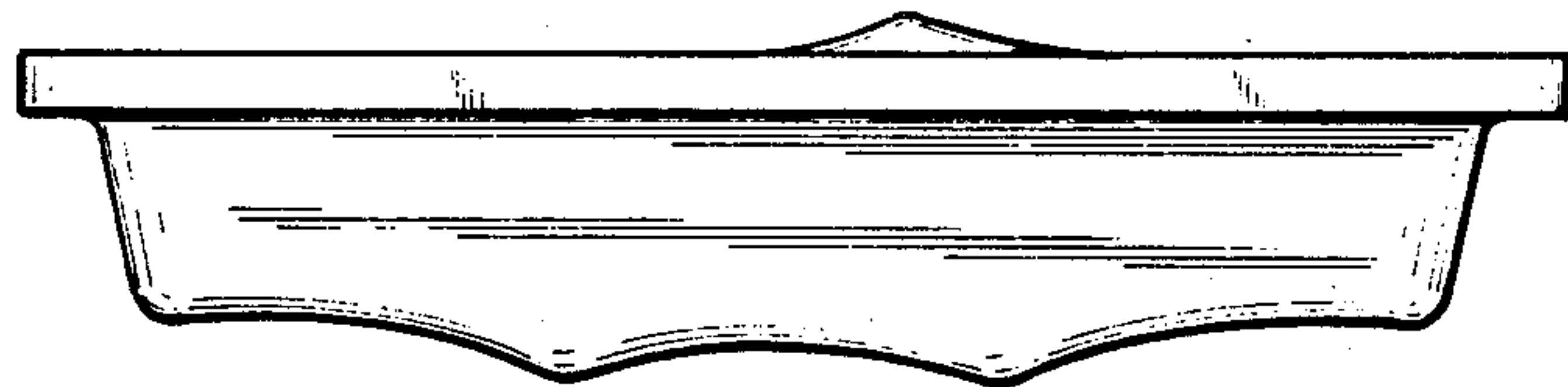


FIG-6

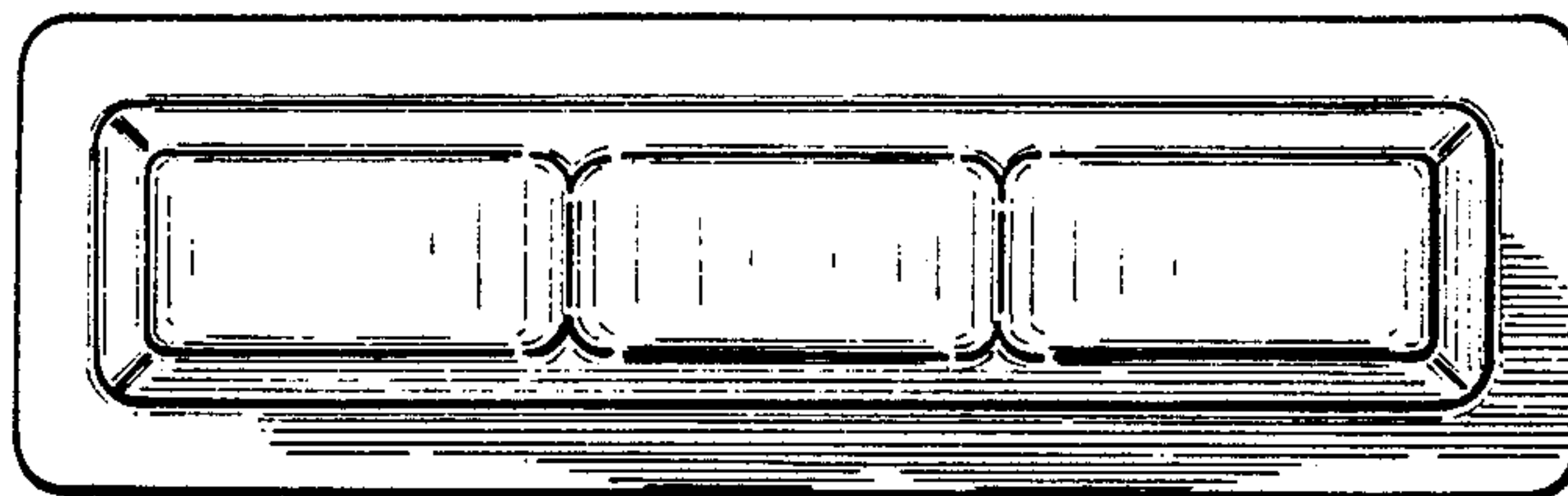


FIG-7

