

[54] DENTAL ARTICULATOR

[76] Inventor: Jack J. Tucker, 10306 Kings Grant, San Antonio, Tex. 78230

[\*\*] Term: 14 Years

[21] Appl. No.: 1,570

[22] Filed: Dec. 29, 1986

[52] U.S. Cl. .... D24/10

[58] Field of Search ..... D24/10-16; 433/53-67

[56] References Cited

U.S. PATENT DOCUMENTS

175,046	3/1876	Davidson	.....	433/64 X
D. 286,179	10/1986	Huffman	.....	D24/10
750,203	1/1904	Knight	.....	433/64

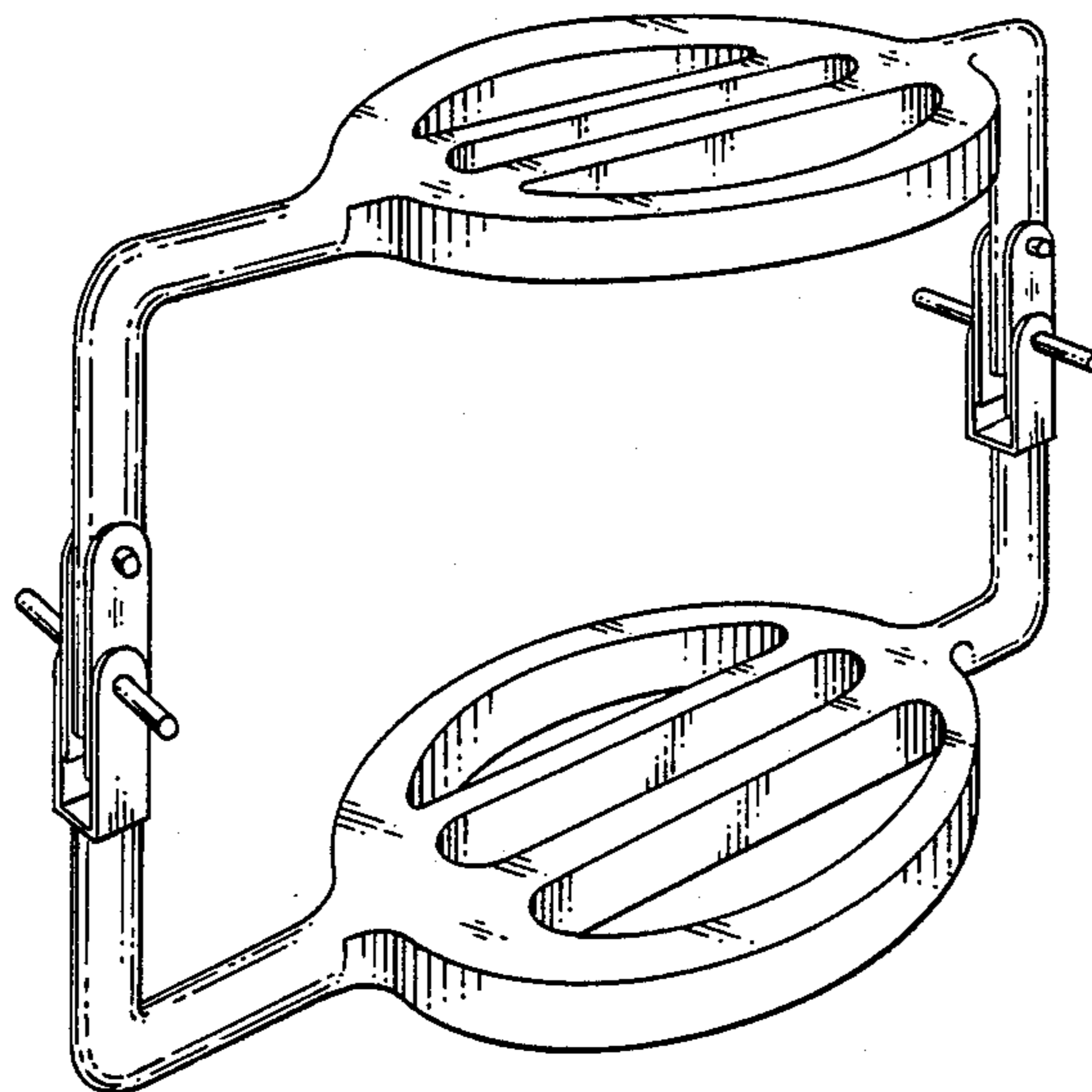
Primary Examiner—Wallace R. Burke  
Assistant Examiner—Brian N. Vinson  
Attorney, Agent, or Firm—John C. Stahl

[57] CLAIM

The ornamental design for a dental articulator, as shown.

DESCRIPTION

FIG. 1 is a side elevational view of a dental articulator showing my new design, the opposite side being identical in appearance;  
FIG. 2 is a top plan view thereof;  
FIG. 3 is a bottom plan view thereof;  
FIG. 4 is an end elevational view thereof, the opposite end being identical in appearance; and  
FIG. 5 is an enlarged, perspective view thereof.



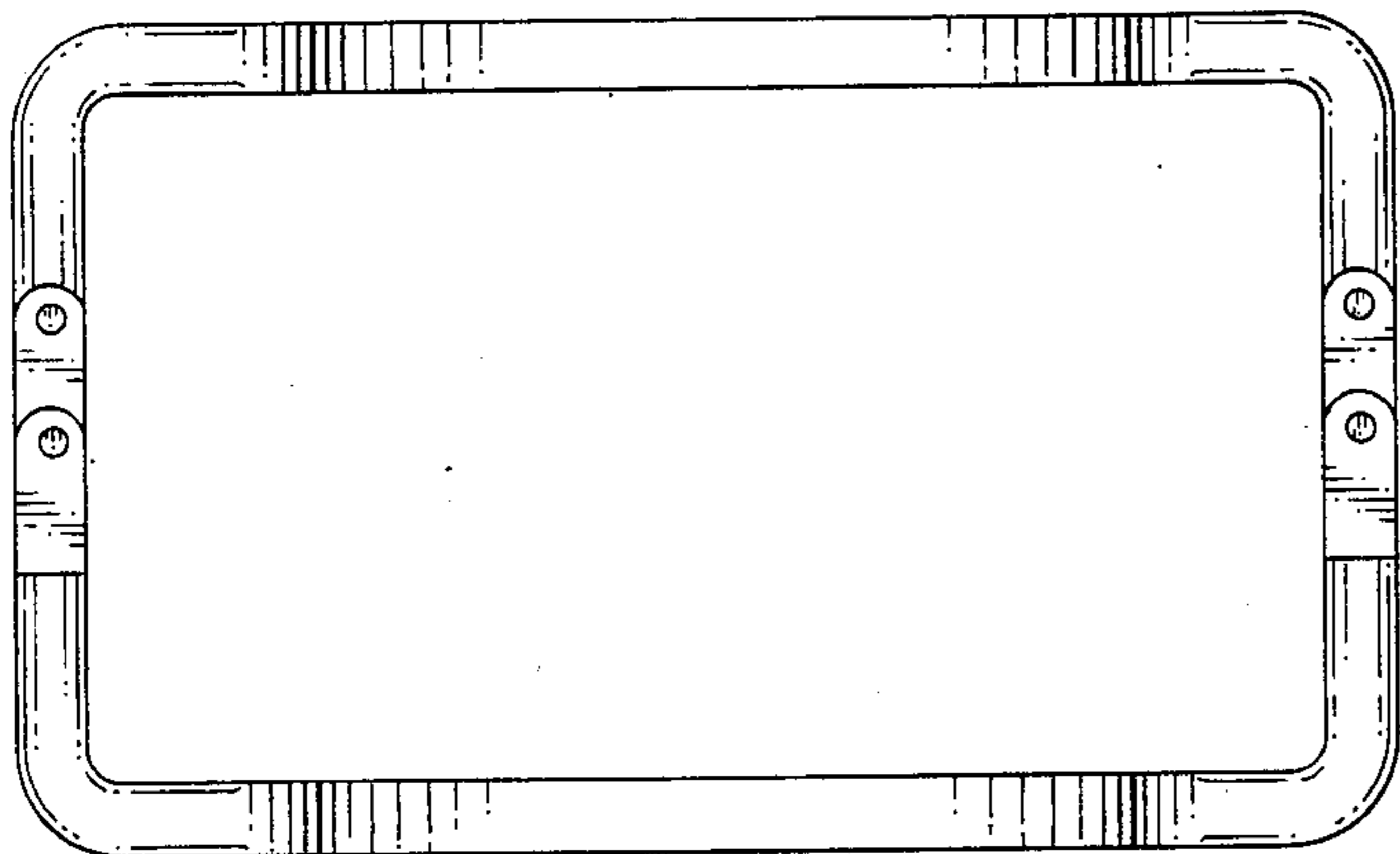


FIG. 1

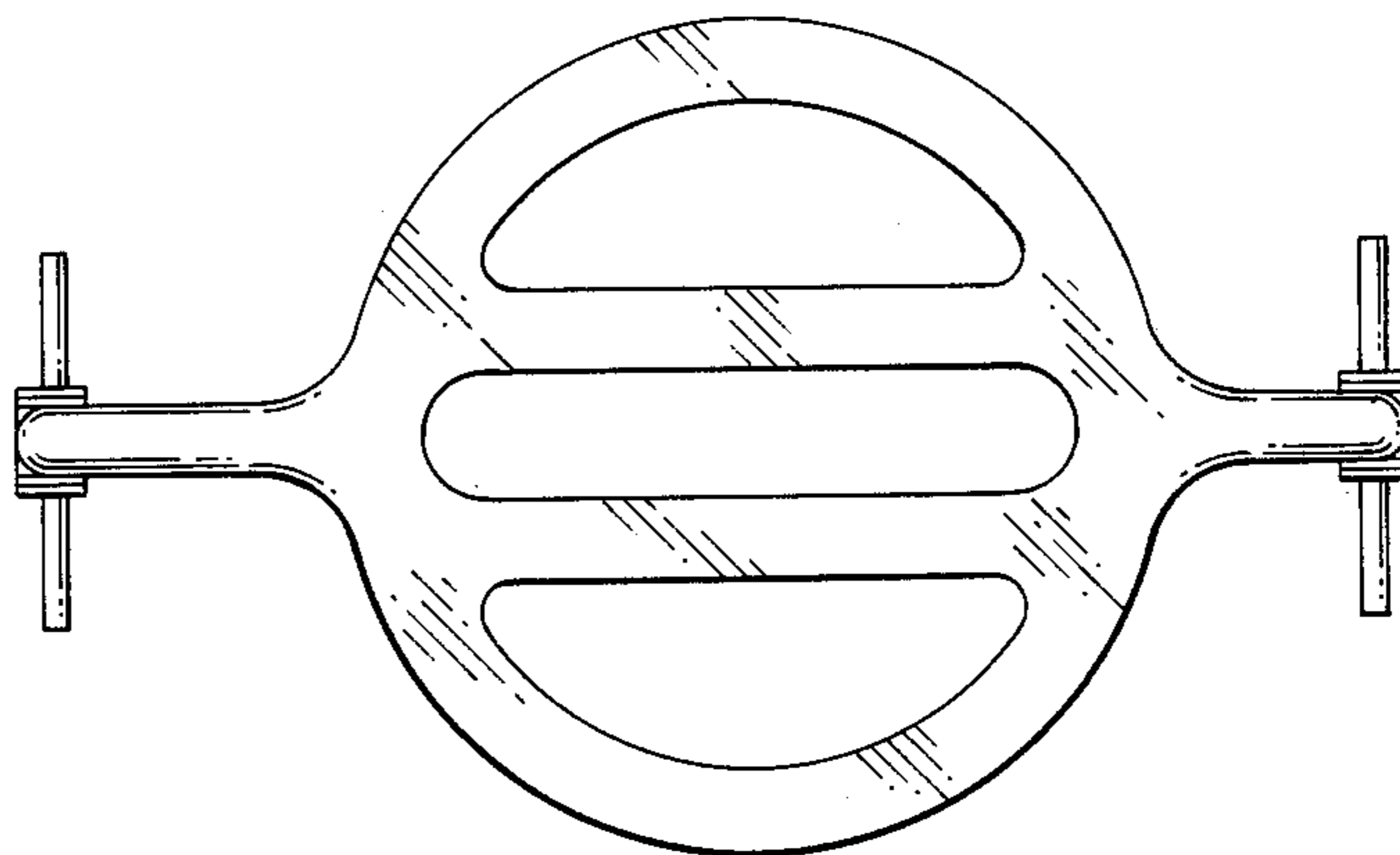


FIG. 2

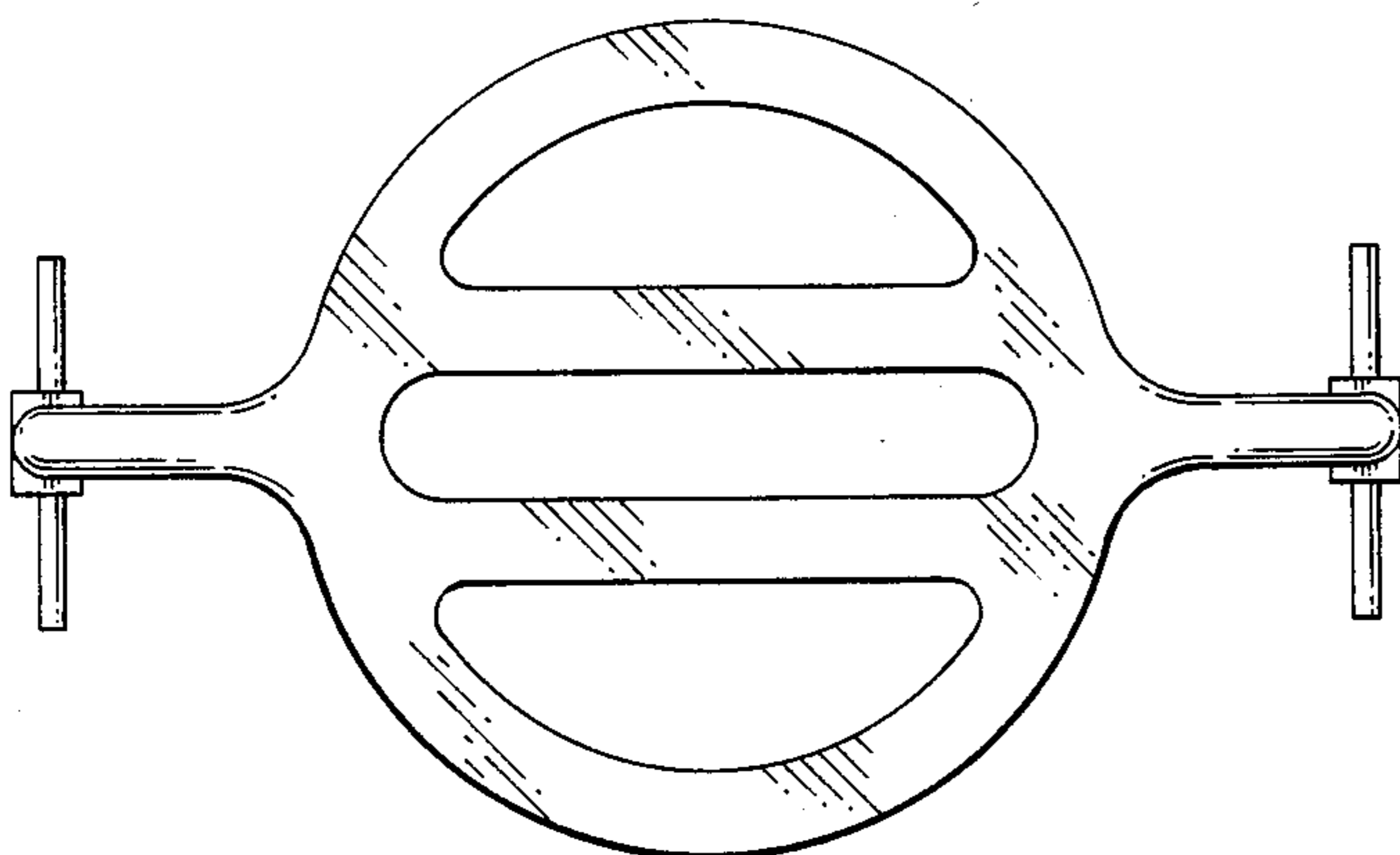


FIG. 3

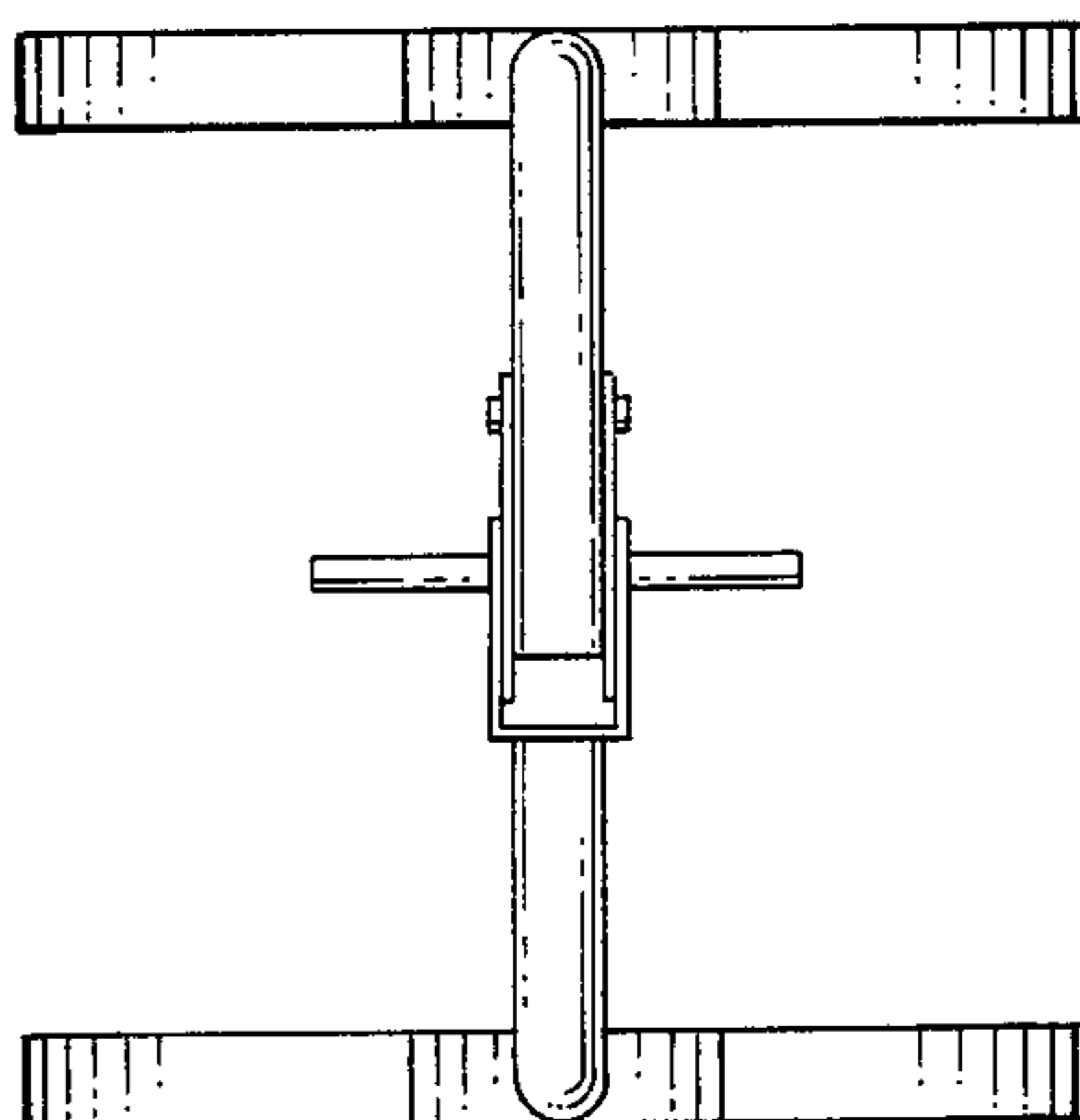


FIG. 4

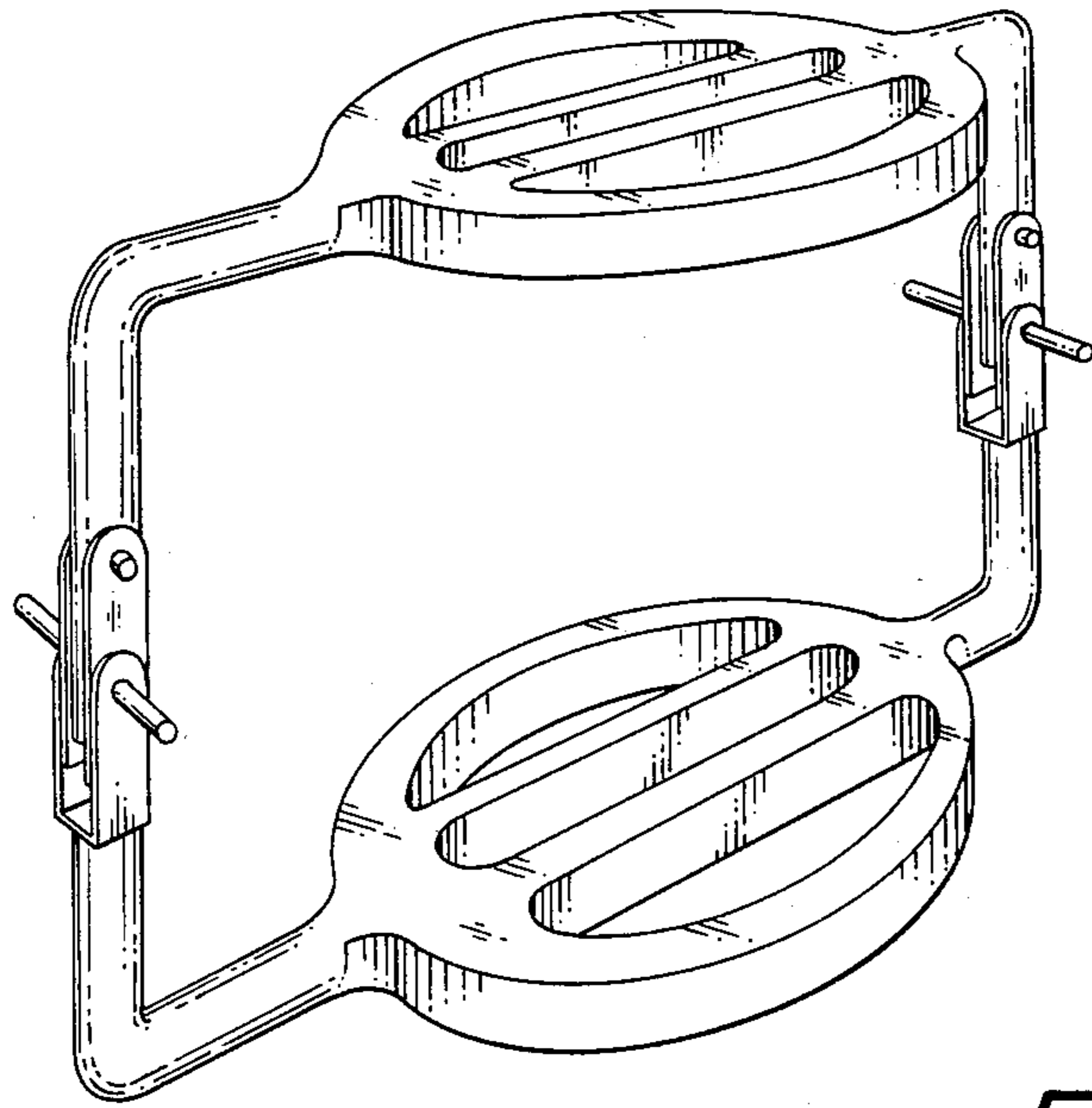


FIG. 5