

United States Patent [19]

Spott

[11] Patent Number: Des. 299,056

[45] Date of Patent: ** Dec. 20, 1988

[54] DENTAL DIAGNOSTIC TOOL FOR FRACTURED TEETH

[76] Inventor: Roger J. Spott, 10012 Hall Rd., Potomac, Md. 20854

[**] Term: 14 Years

[21] Appl. No.: 939,011

[22] Filed: Dec. 8, 1986

[52] U.S. Cl. D24/10

[58] Field of Search D24/10-16;
433/141-144, 165, 93, 214, 72; 128/62 A, 115,
136

[56] References Cited

U.S. PATENT DOCUMENTS

3,029,809 4/1962 Madlung D24/10 X
3,078,856 2/1963 Bender et al. 132/93
3,971,370 7/1976 Halford et al. 128/136

4,286,947 9/1981 Daiberl 433/72
4,449,933 5/1984 Forni 433/141
4,573,920 3/1986 d'Argembeau 433/141

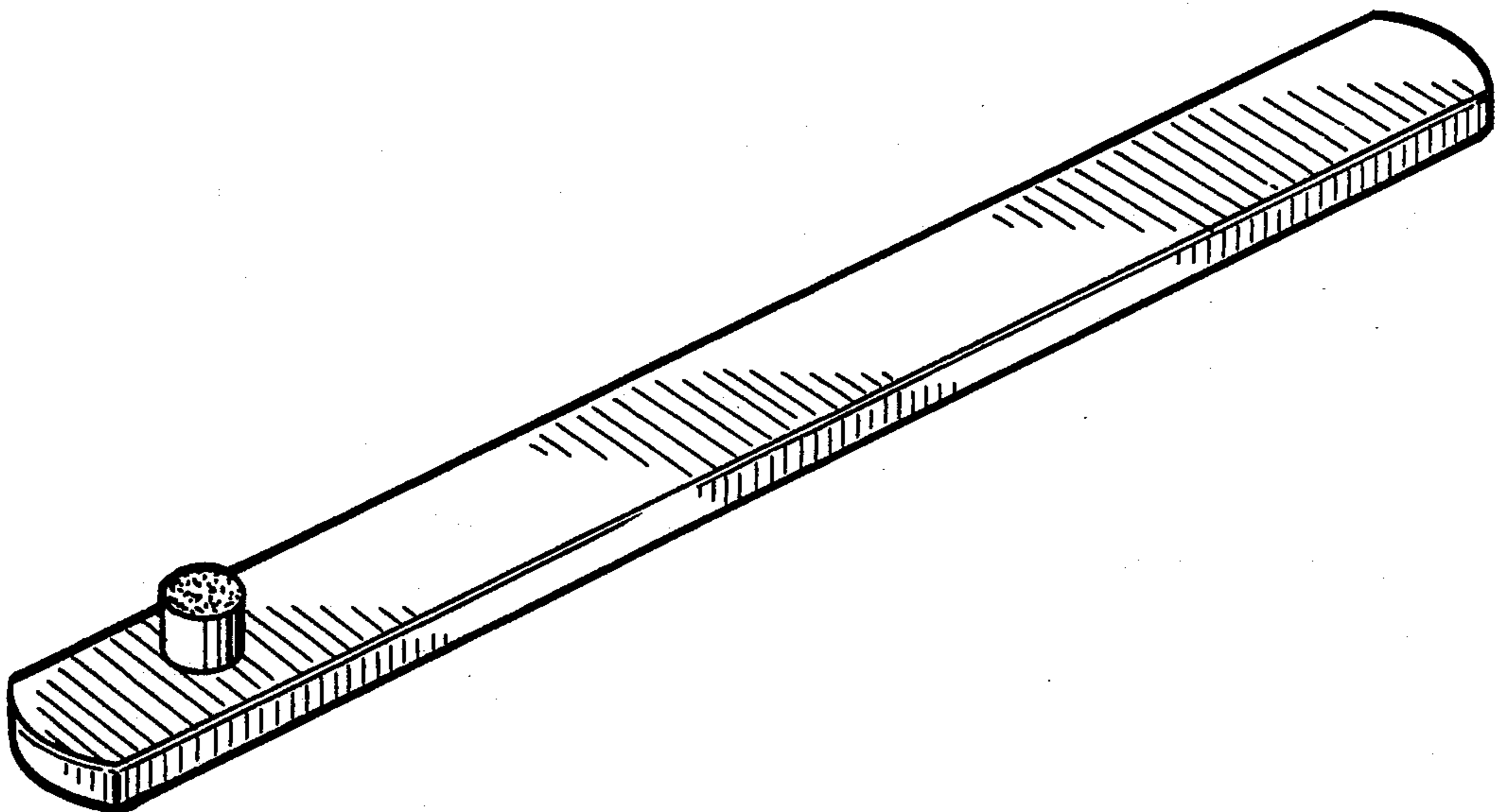
Primary Examiner—Wallace R. Burke
Assistant Examiner—Brian N. Vinson
Attorney, Agent, or Firm—Wigman & Cohen

[57] CLAIM

The ornamental design for a dental diagnostic tool for fractured teeth, as shown and described.

DESCRIPTION

FIG. 1 is a perspective view of the dental diagnostic tool for fractured teeth showing my new design; FIG. 2 is a top plan view thereof, the bottom being plain and unornamented; FIG. 3 is a side elevational view thereof the opposite side being a mirror image and; FIG. 4 is an end elevational view thereof, the opposite end being substantially similar in appearance.



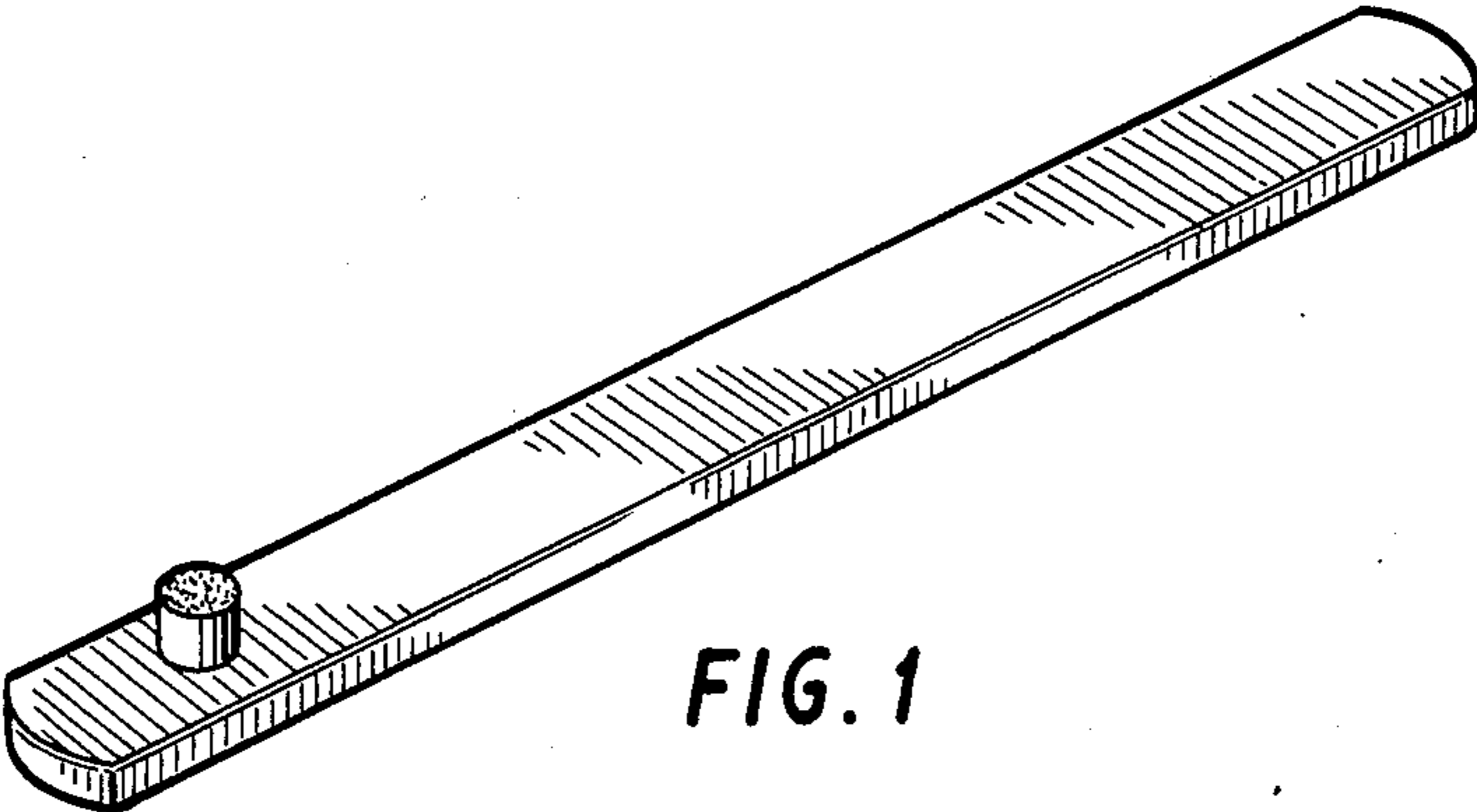


FIG. 1

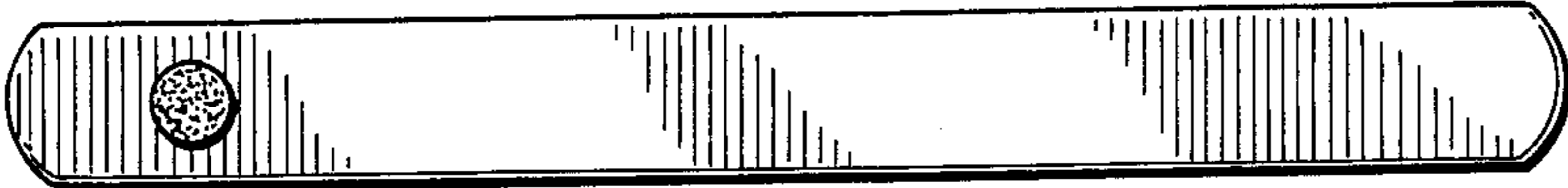


FIG. 2



FIG. 3



FIG. 4