

[54] SPRAY GUN OR SIMILAR ARTICLE

[76] Inventor: David C. Miller, 2 Craigmoor Rd. North, Ridgefield, Conn. 06877

[**] Term: 14 Years

[21] Appl. No.: 132,851

[22] Filed: Dec. 14, 1987

Related U.S. Application Data

[62] Division of Ser. No. 703,724, Feb. 21, 1985.

[52] U.S. Cl. D23/255

[58] Field of Search D23/213, 223, 225-226; 239/154, 302, 318, 331-333, 337, 436, 525-528, 532, DIG. 14

[56] References Cited

U.S. PATENT DOCUMENTS

- D. 156,873 1/1950 Eisner D23/18
- D. 235,544 6/1975 Bippus D23/18
- D. 237,796 11/1975 Wagner D23/18
- D. 251,602 4/1979 Widner D23/18

- D. 268,778 4/1983 Moon D23/18
- D. 284,988 8/1986 Powell D23/17

OTHER PUBLICATIONS

Hardware Age, Sep. 1983, p. 5 "EZ Painter".
 Hardware Age, Mar. 1982, p. 99 "Burgess" Paint Sprayer.
 J. C. Whitney Parts & Accessories Catalogue, 1982, p. 116 "Paint Sprayer Kits", B.

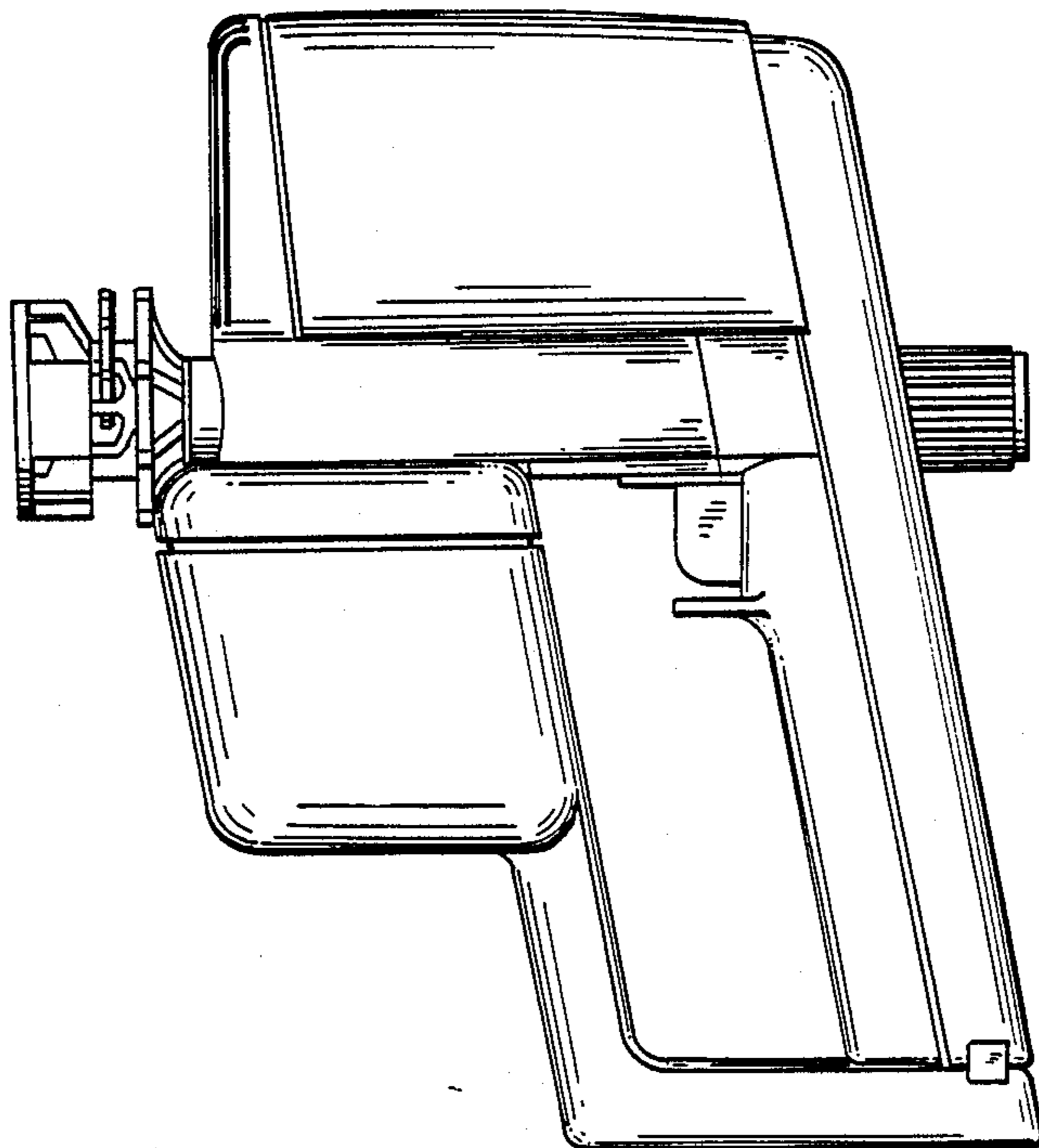
Primary Examiner—Wallace R. Burke
 Assistant Examiner—Brian N. Vinson

[57] CLAIM

The ornamental design for a spray gun or similar article, as shown and described.

DESCRIPTION

FIG. 1 is a right side elevational view of a spray gun or similar article showing my new design;
 FIG. 2 is a front elevational view thereof;
 FIG. 3 is a top plan view thereof;
 FIG. 4 is a left side elevational view thereof;
 FIG. 5 is a rear elevational view thereof; and
 FIG. 6 is a bottom plan view thereof.



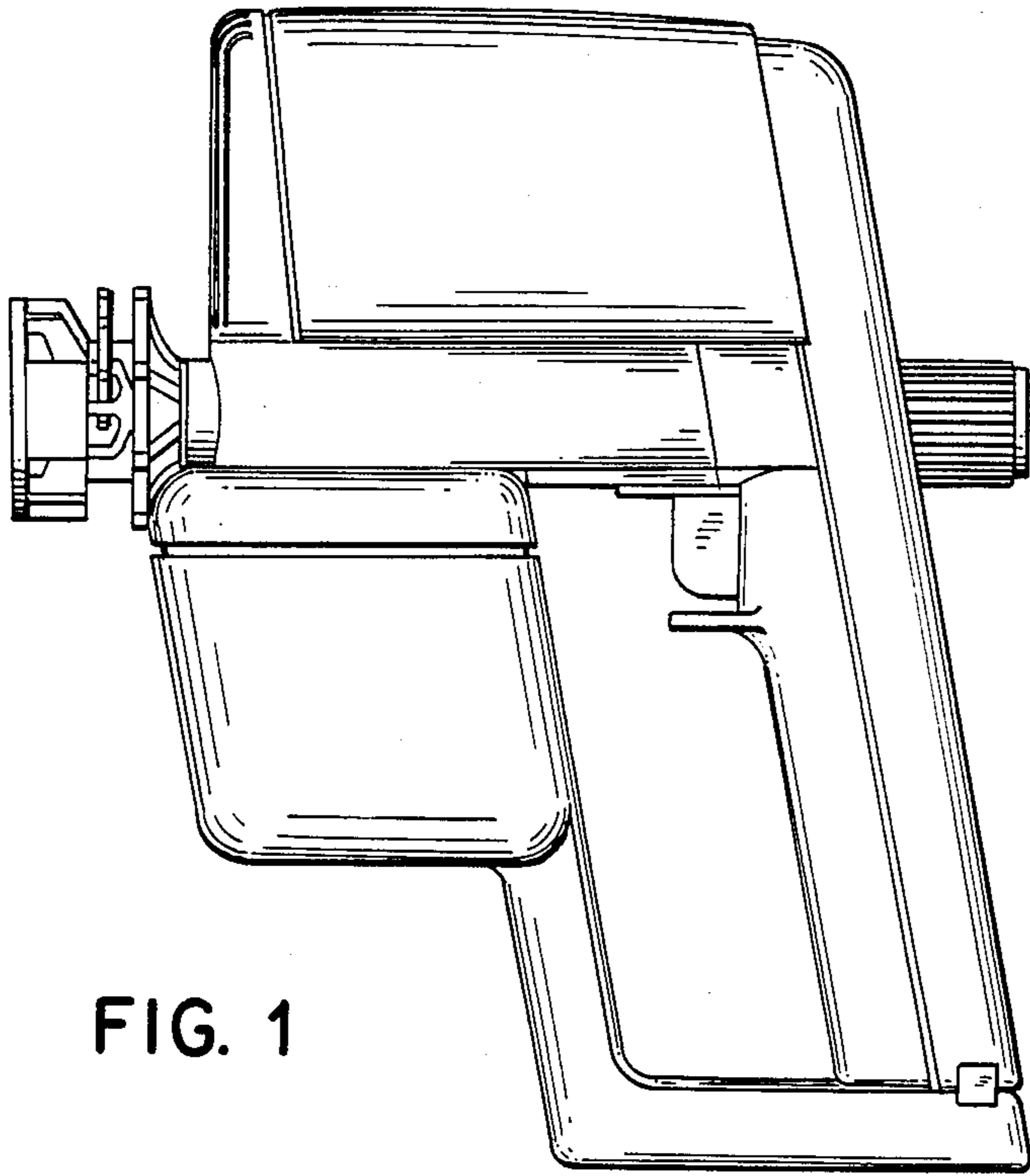


FIG. 1

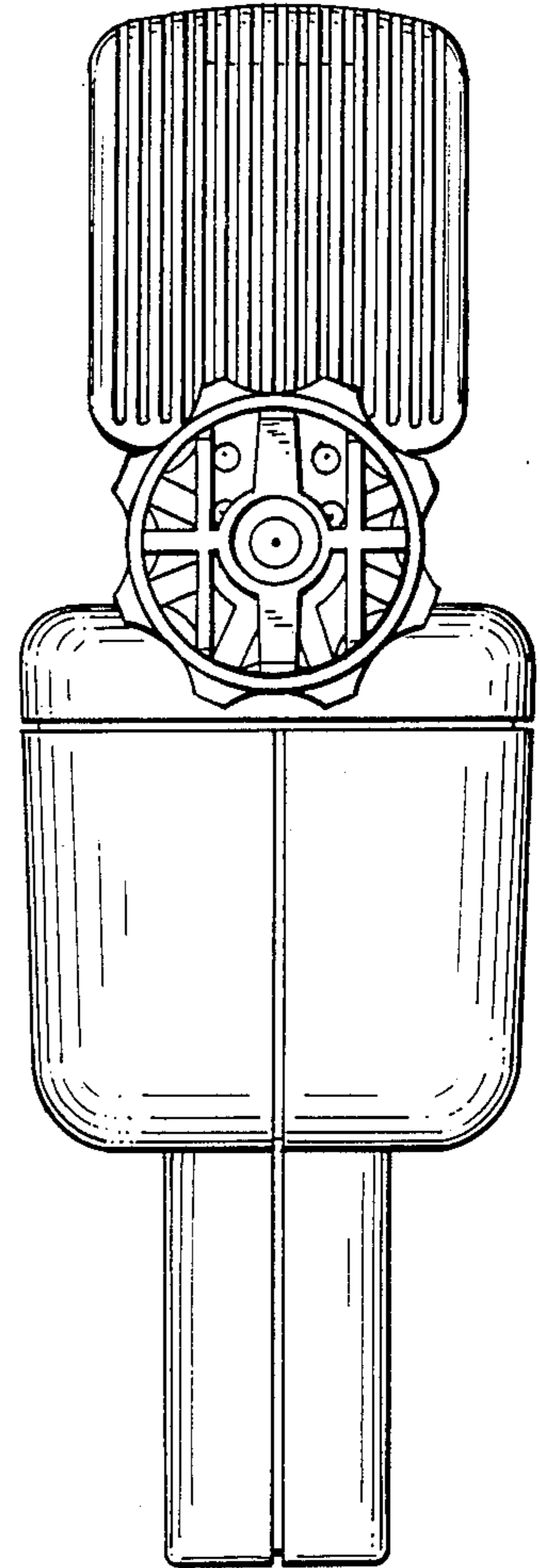


FIG. 2

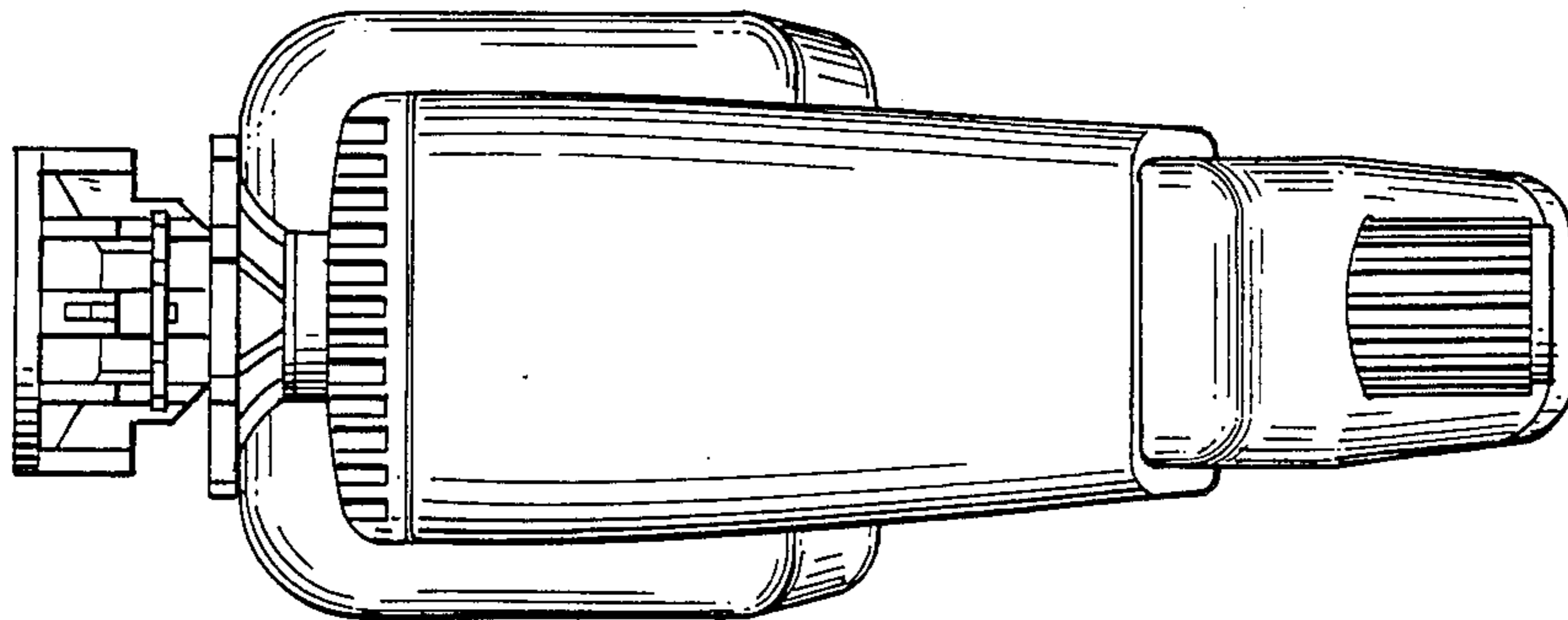


FIG. 3

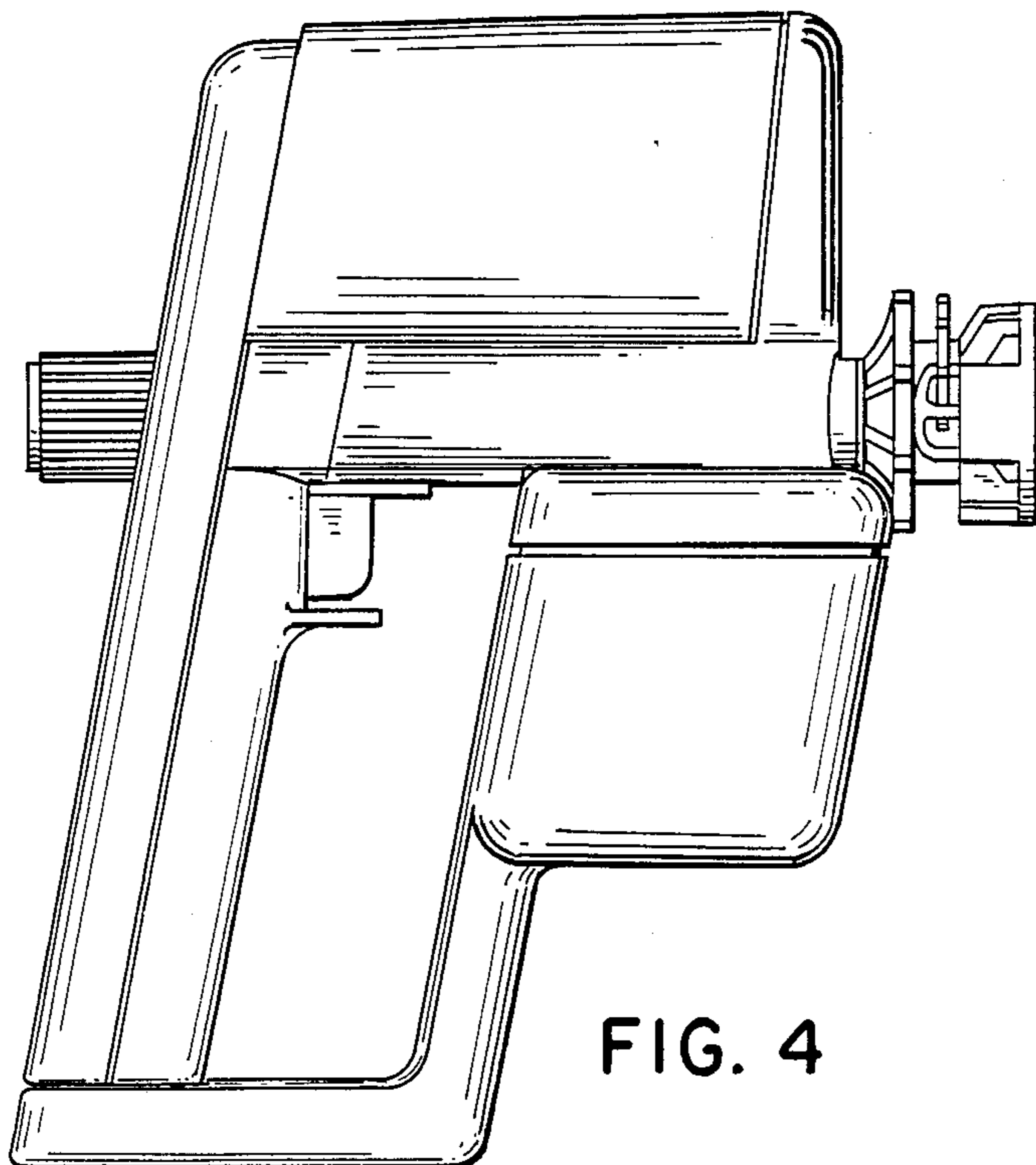


FIG. 4

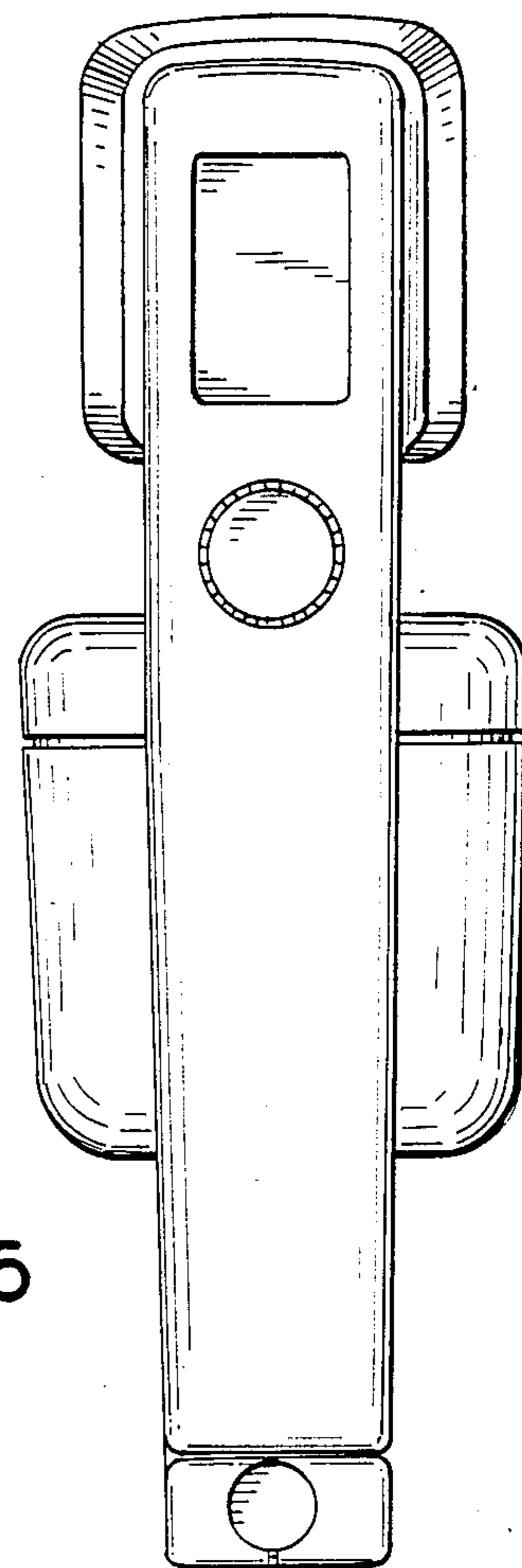


FIG. 5

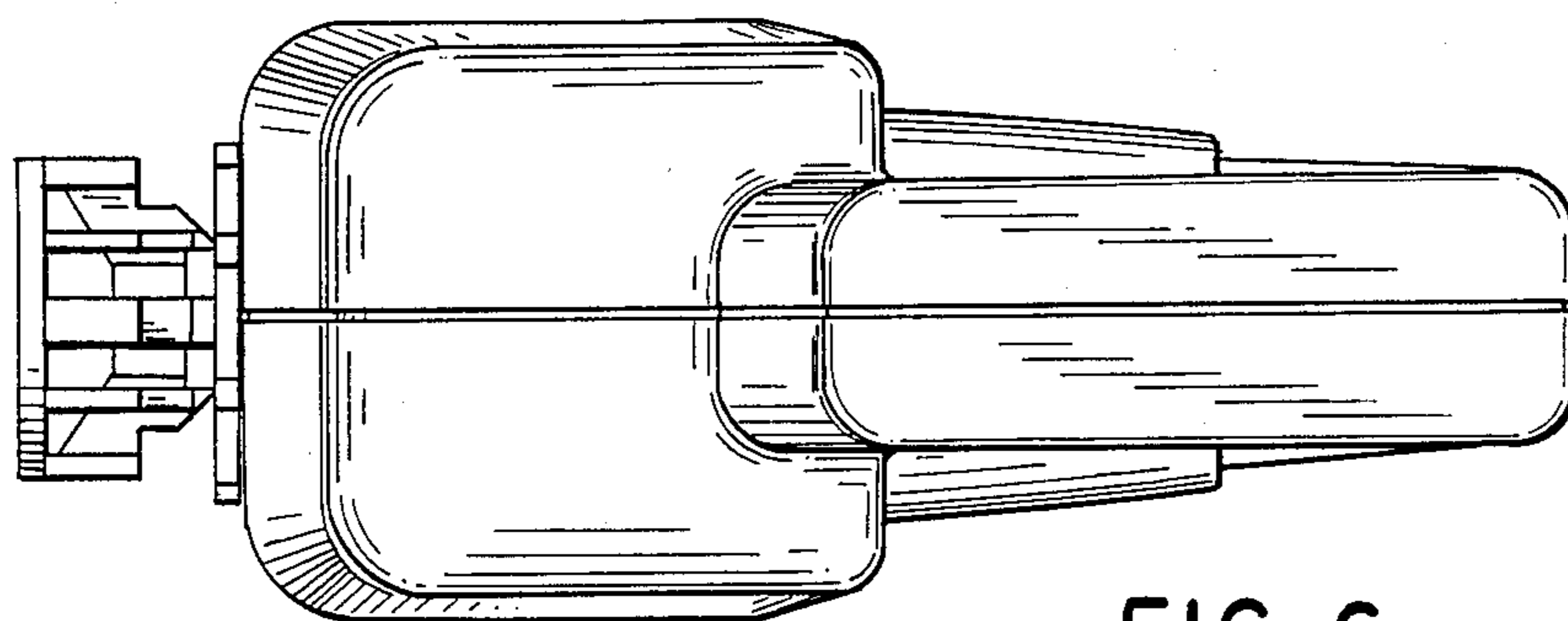


FIG. 6