

[54] VALVE HANDLE

[56] References Cited

[75] Inventor: Alvar Torstensson, Borås, Sweden

U.S. PATENT DOCUMENTS

- D. 110,528 7/1938 Rice D23/251
- D. 175,538 9/1955 Dawson D23/250
- D. 191,191 8/1961 Kawolies D23/250

[73] Assignee: Tour & Andersson AB, Sweden

Primary Examiner—James R. Largen
Attorney, Agent, or Firm—Davis, Bujold & Streck

[**] Term: 14 Years

[57] CLAIM

[21] Appl. No.: 844,759

The ornamental design for a valve handle, as shown.

[22] Filed: Mar. 14, 1986

DESCRIPTION

[30] Foreign Application Priority Data

- Sep. 18, 1985 [SE] Sweden 8502202
- [52] U.S. Cl. D23/252
- [58] Field of Search D23/238-243,
D23/250-254; D8/300, 307-312; 16/110, 118,
121

FIG. 1 is a perspective view taken from the top, front and right side of a valve handle showing my new design;
 FIG. 2 is a bottom plan view thereof;
 FIG. 3 is a left side elevational view thereof;
 FIG. 4 is a front elevational view thereof;
 FIG. 5 is a rear elevational view thereof;
 FIG. 6 is a top plan view thereof; and
 FIG. 7 is a right side elevational view thereof.

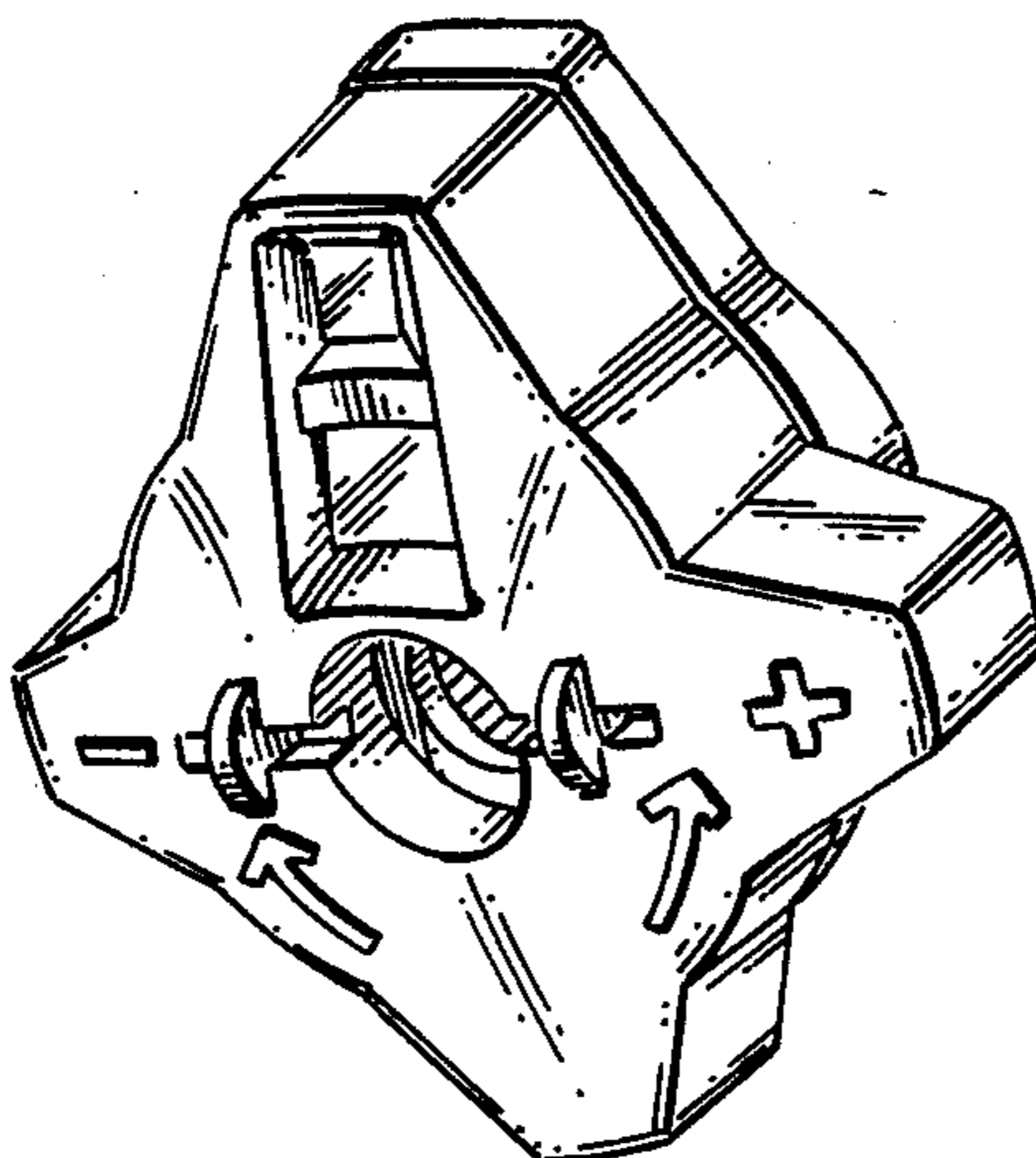


FIG. 1

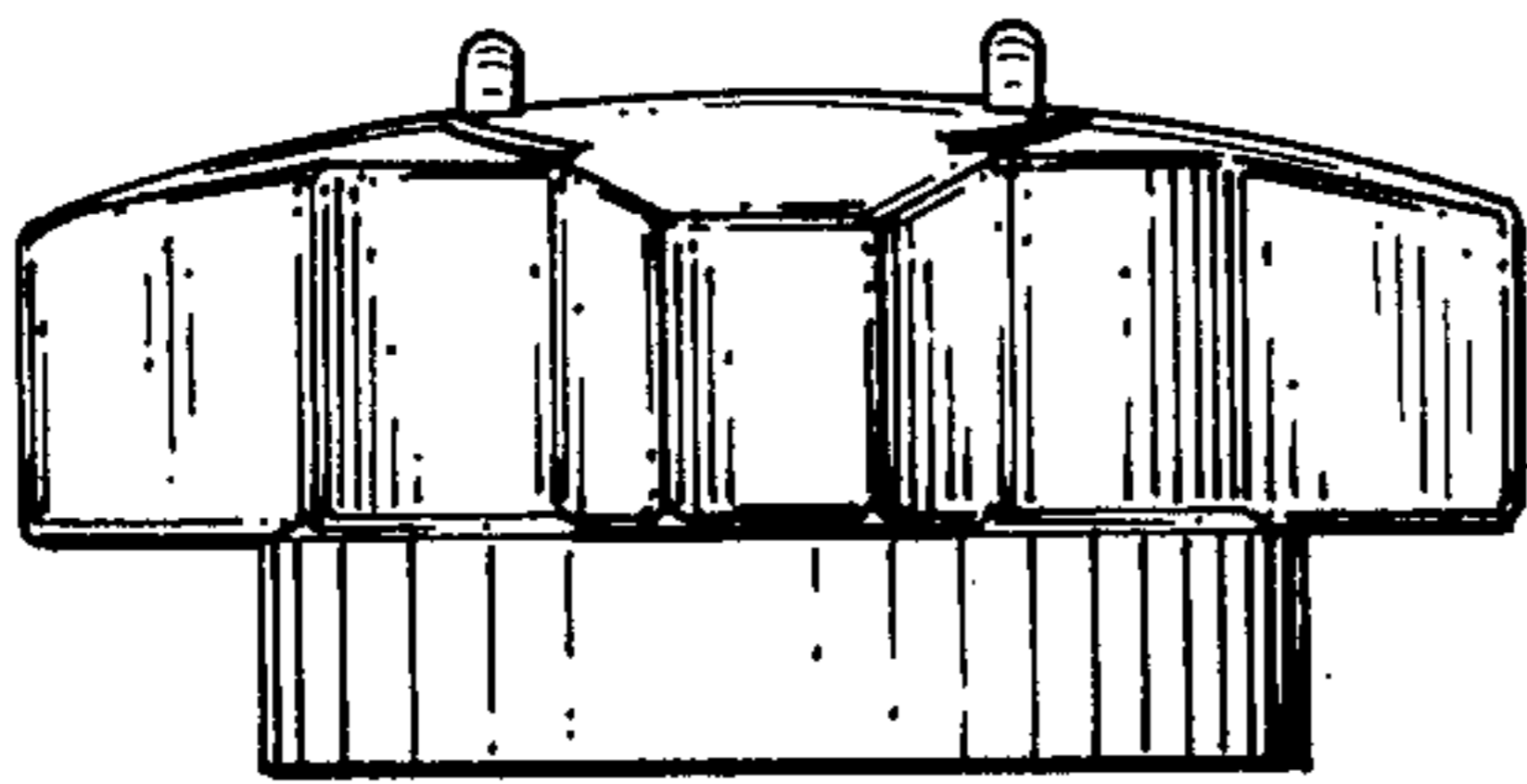
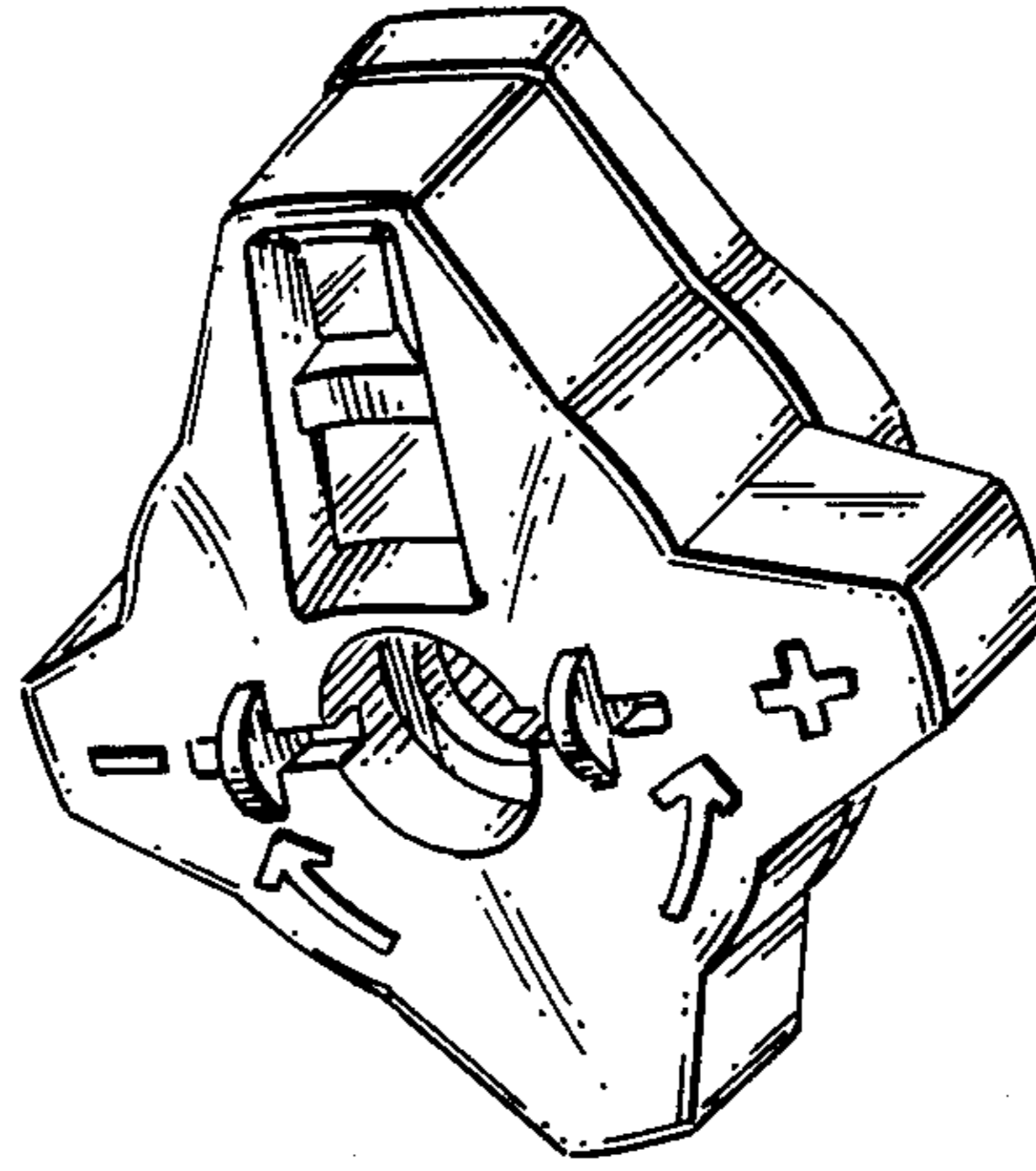


FIG. 2

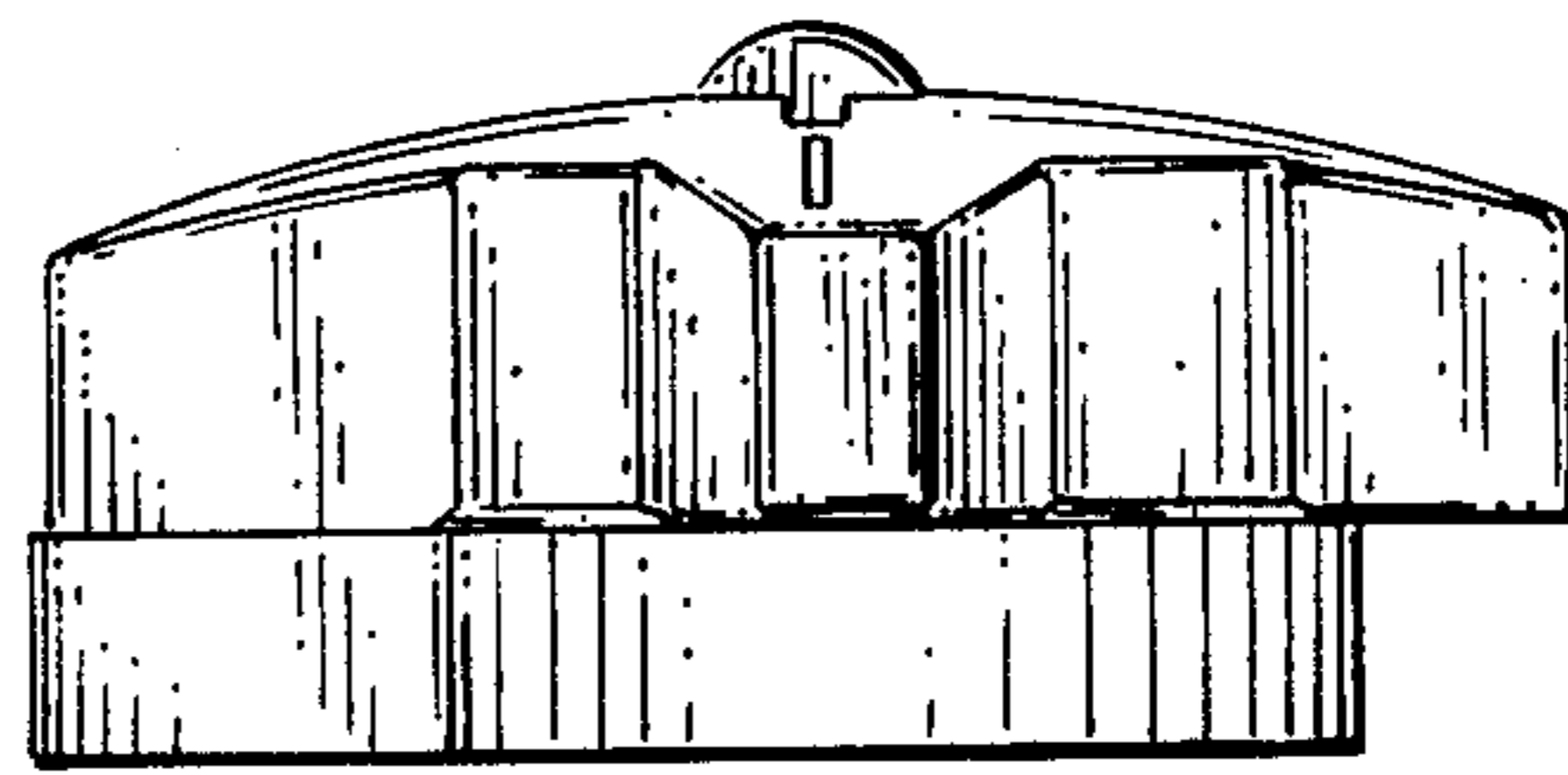


FIG. 3

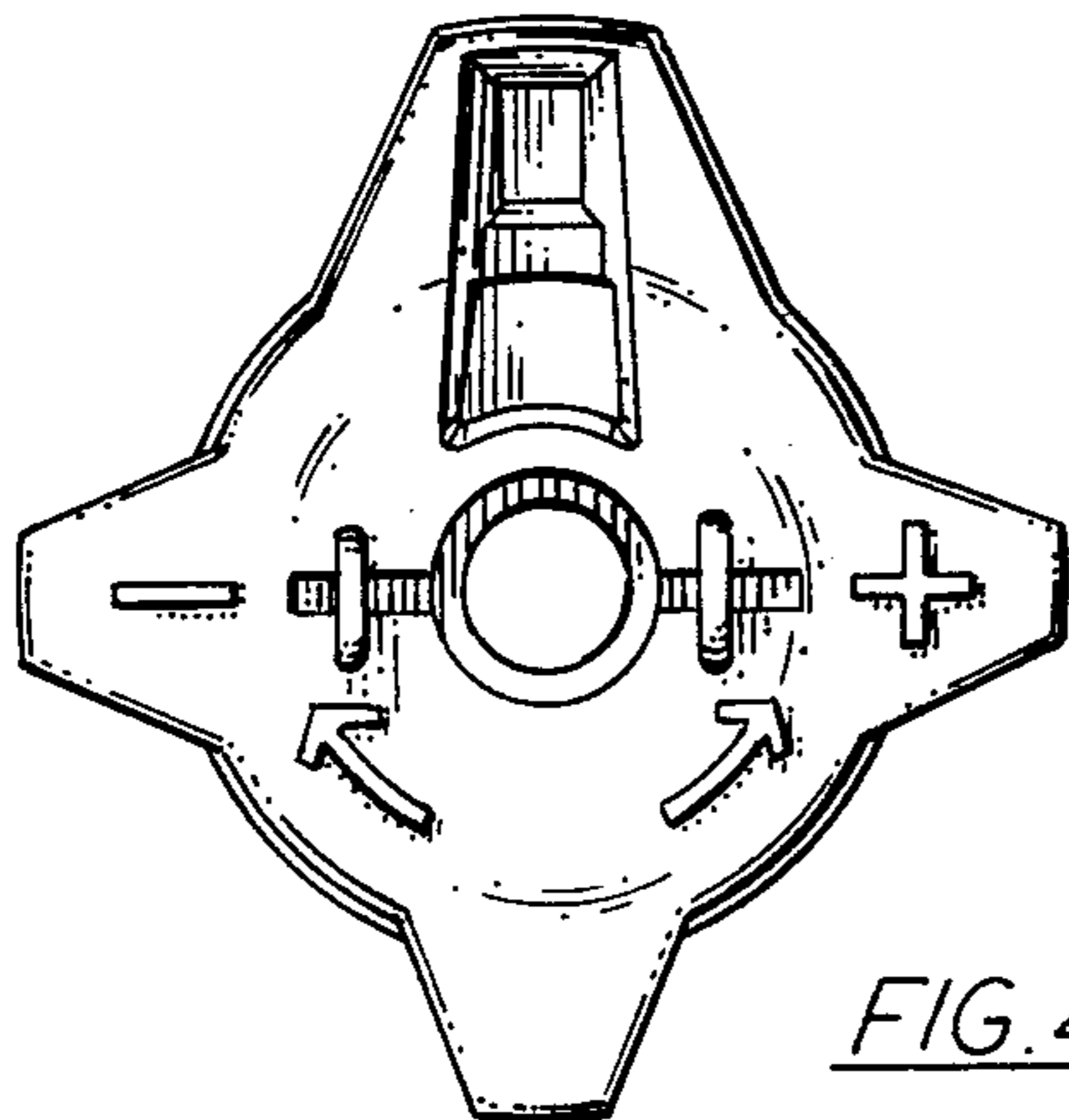


FIG. 4

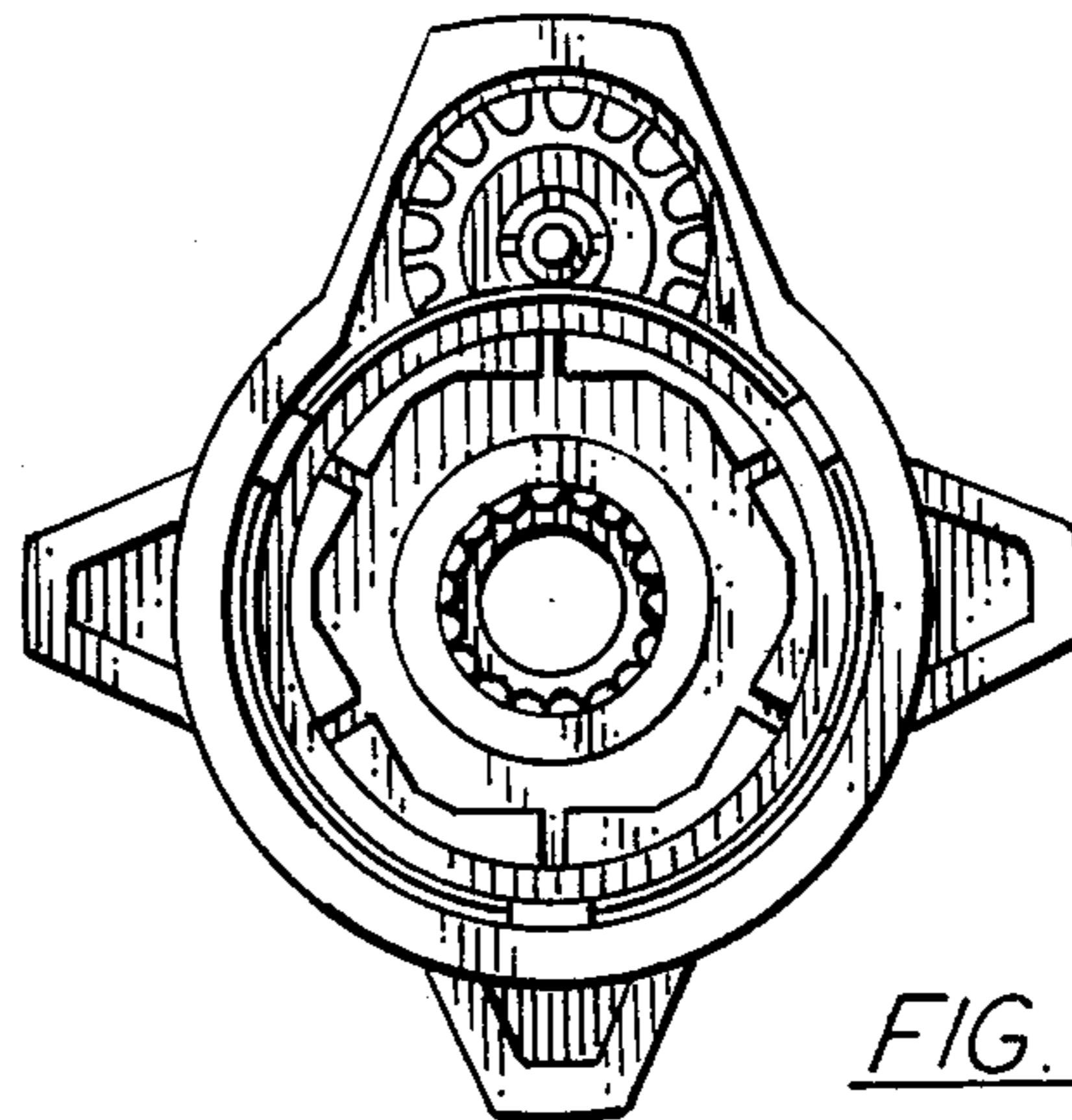


FIG. 5

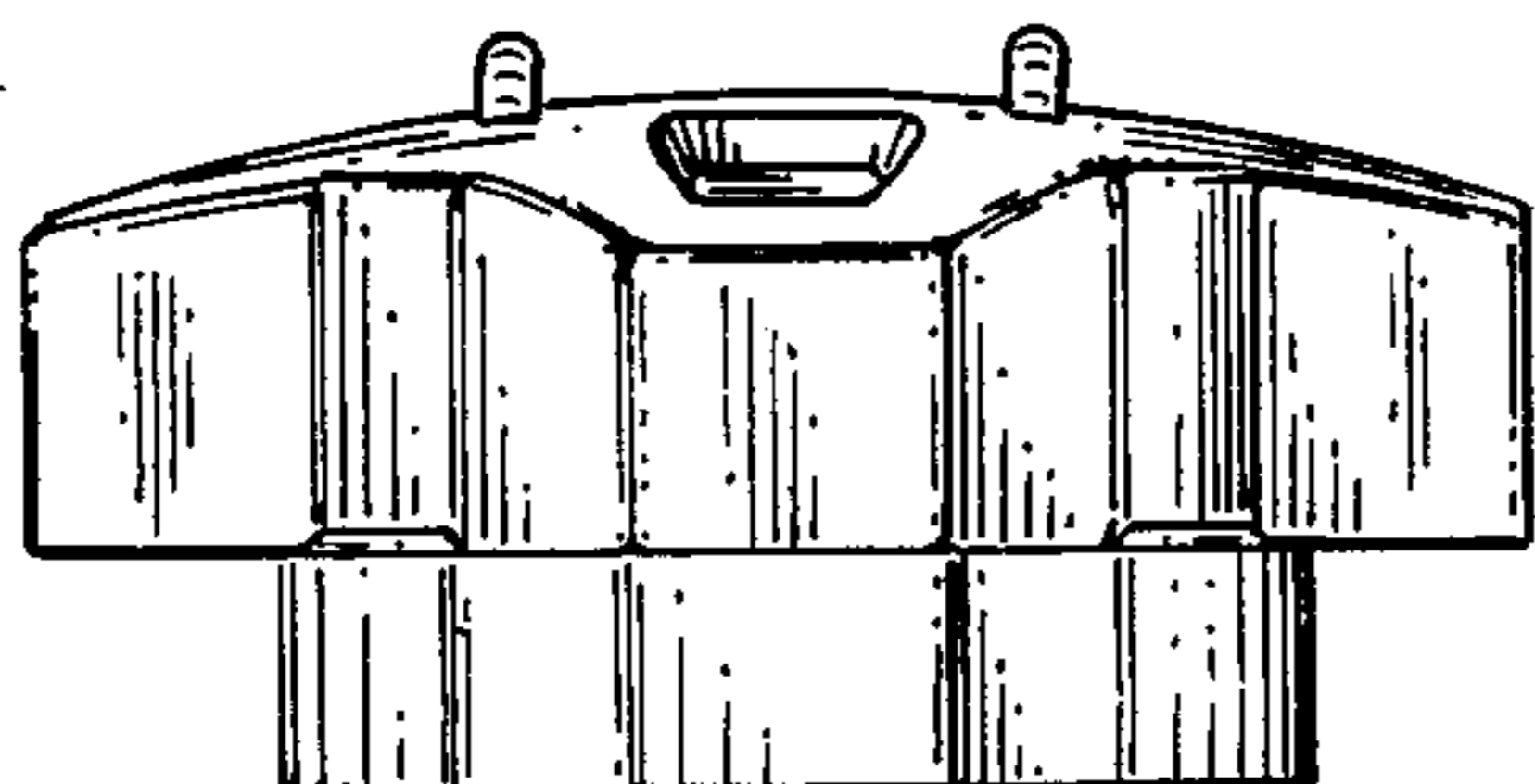


FIG. 6

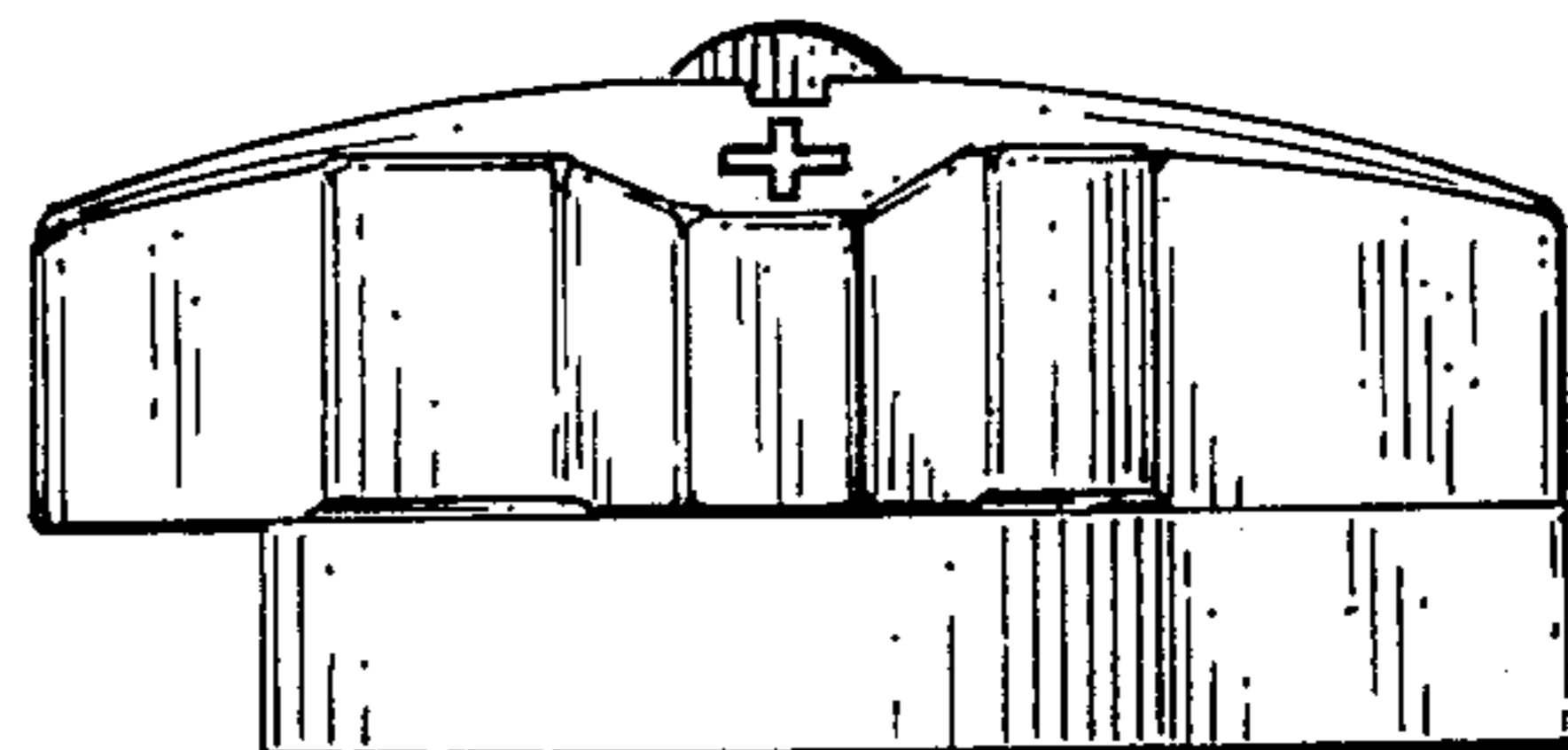


FIG. 7