

United States Patent [19]

Gonzalez

[11] Patent Number: Des. 299,050

[45] Date of Patent: ** Dec. 20, 1988

[54] SHOWERHEAD

[75] Inventor: Teodoro J. Gonzalez, Canyon, Calif.

[73] Assignee: Price Pfister, Inc., Pacoima, Calif.

[**] Term: 14 Years

[21] Appl. No.: 864,076

[22] Filed: May 21, 1986

[52] U.S. Cl. D23/229

[58] Field of Search D23/213, 222-230;
4/289, 447, 460, 551, 565

2,689,151	9/1954	Manning	239/460 X
2,756,108	7/1956	Warren	D23/229 X
3,416,734	12/1968	Nelson	239/460
3,836,083	9/1974	Bell	239/460 X
3,887,136	6/1975	Anderson	239/460
4,657,185	4/1987	Rundzaitis	239/460 X

Primary Examiner—James R. Largen
Attorney, Agent, or Firm—Blakely, Sokoloff, Taylor & Zafman

[57] CLAIM

The ornamental design for a showerhead, as shown and described.

[56] References Cited

U.S. PATENT DOCUMENTS

D. 191,428	9/1961	Leighton	D23/229
D. 208,526	9/1967	Dolamater	D23/213
D. 217,606	5/1970	Young	D23/229
D. 217,607	5/1970	Young	D23/229
2,608,443	8/1952	Hinderer	D23/229 X

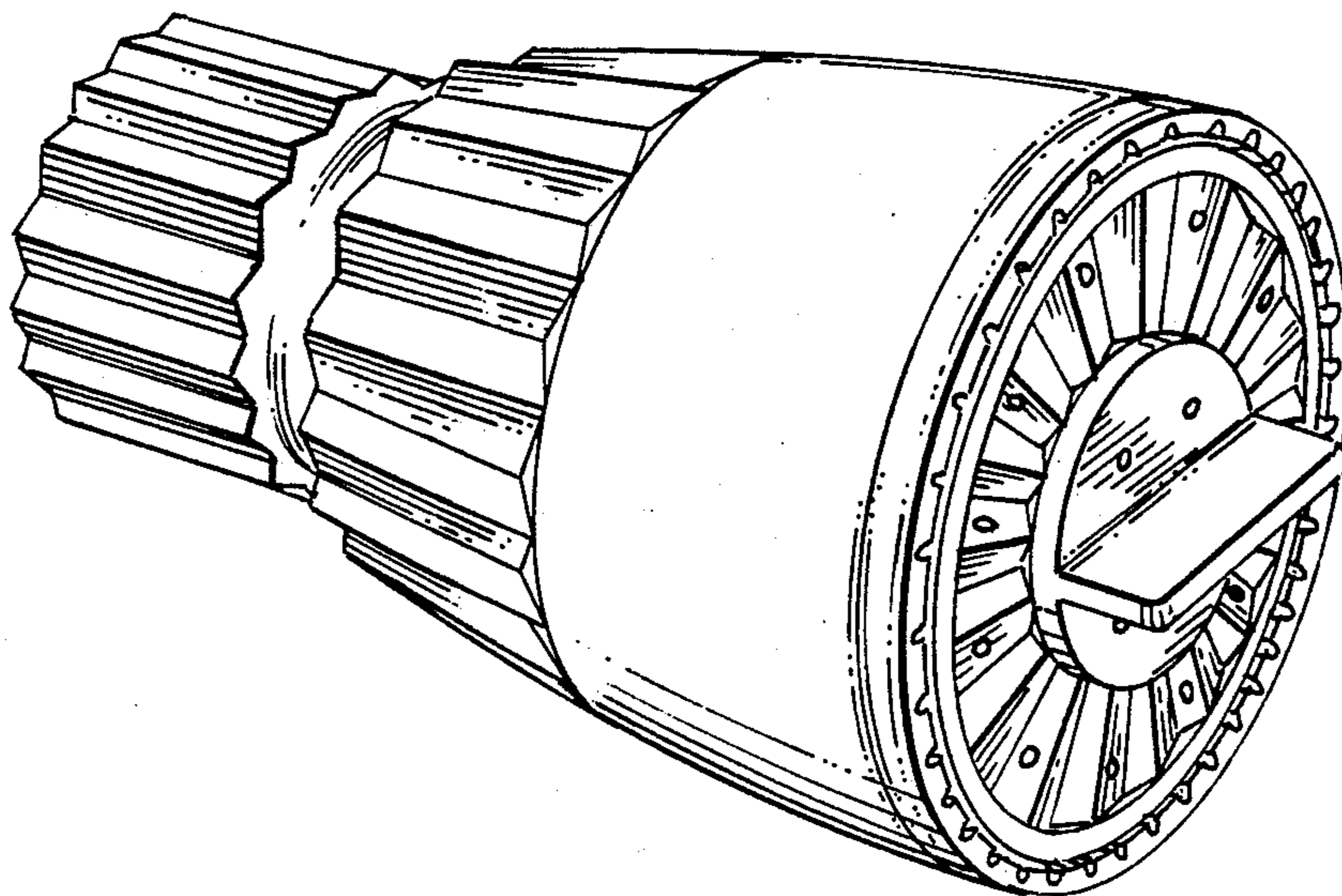
DESCRIPTION

FIG. 1 is a perspective view taken from the top, front and left side of a shower head embodying my new design;

FIG. 2 is a right side elevation view thereof.

FIG. 3 is a front elevational view thereof.

FIG. 4 is a rear elevational view thereof.



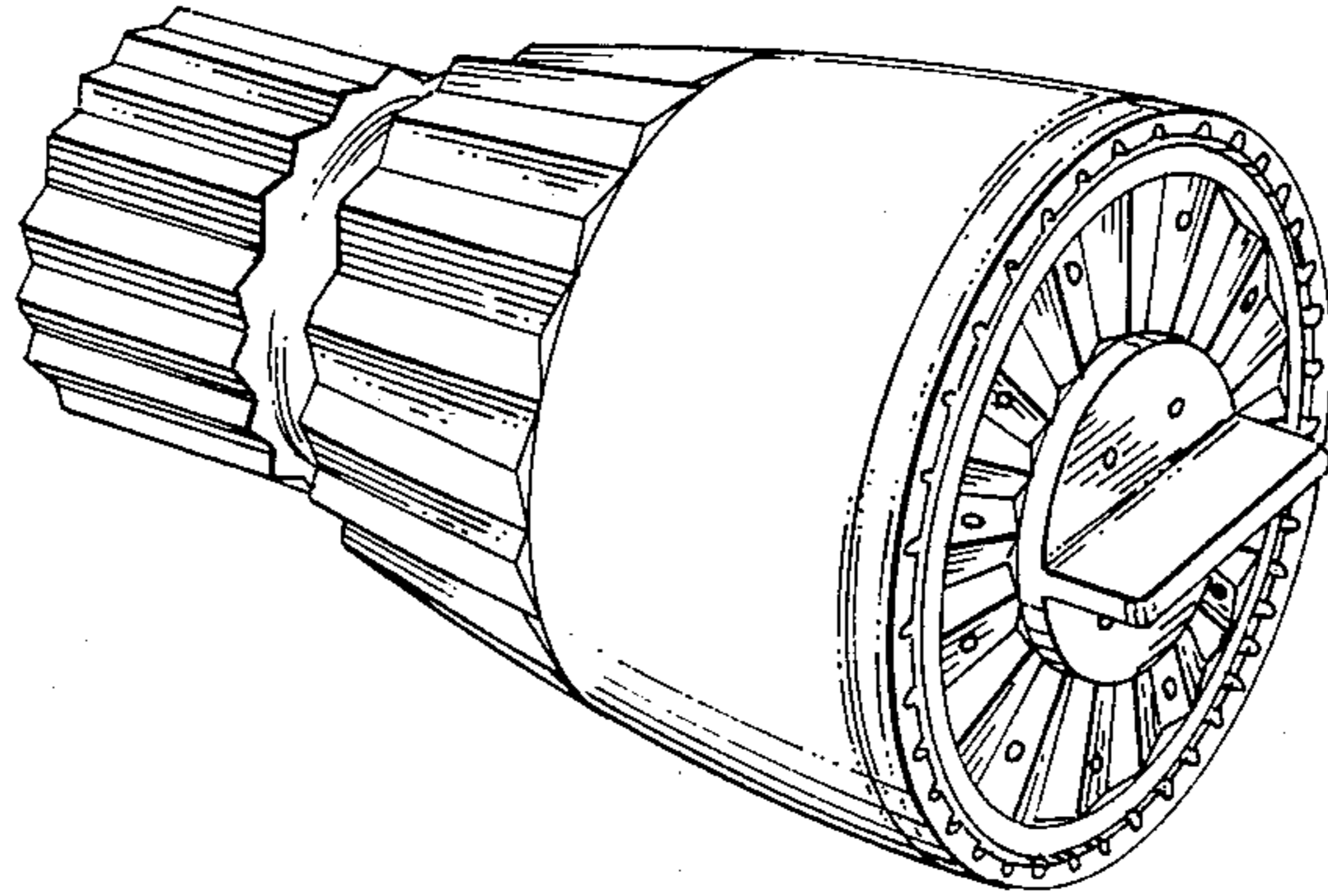


Fig. 1

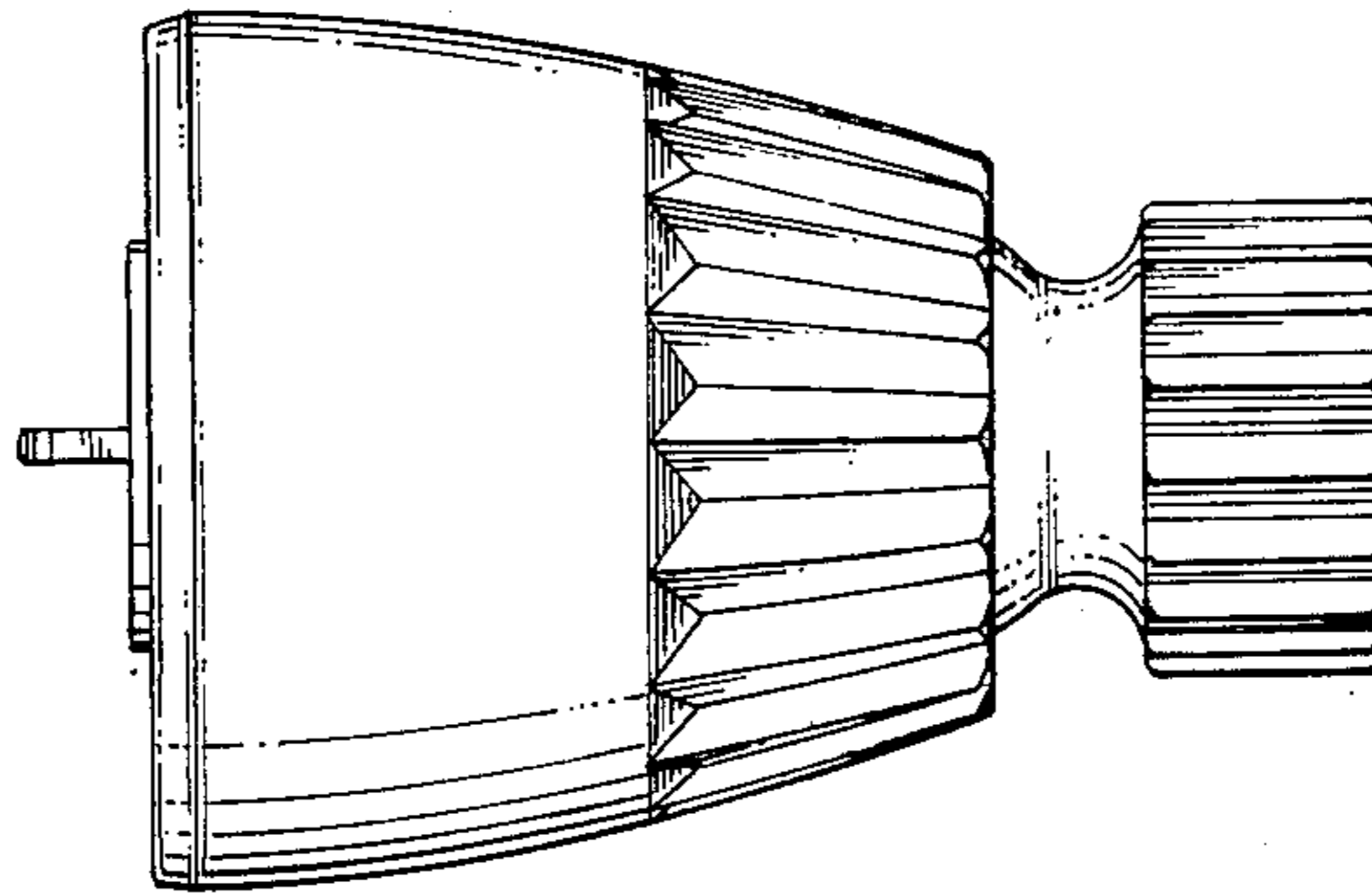


Fig. 2

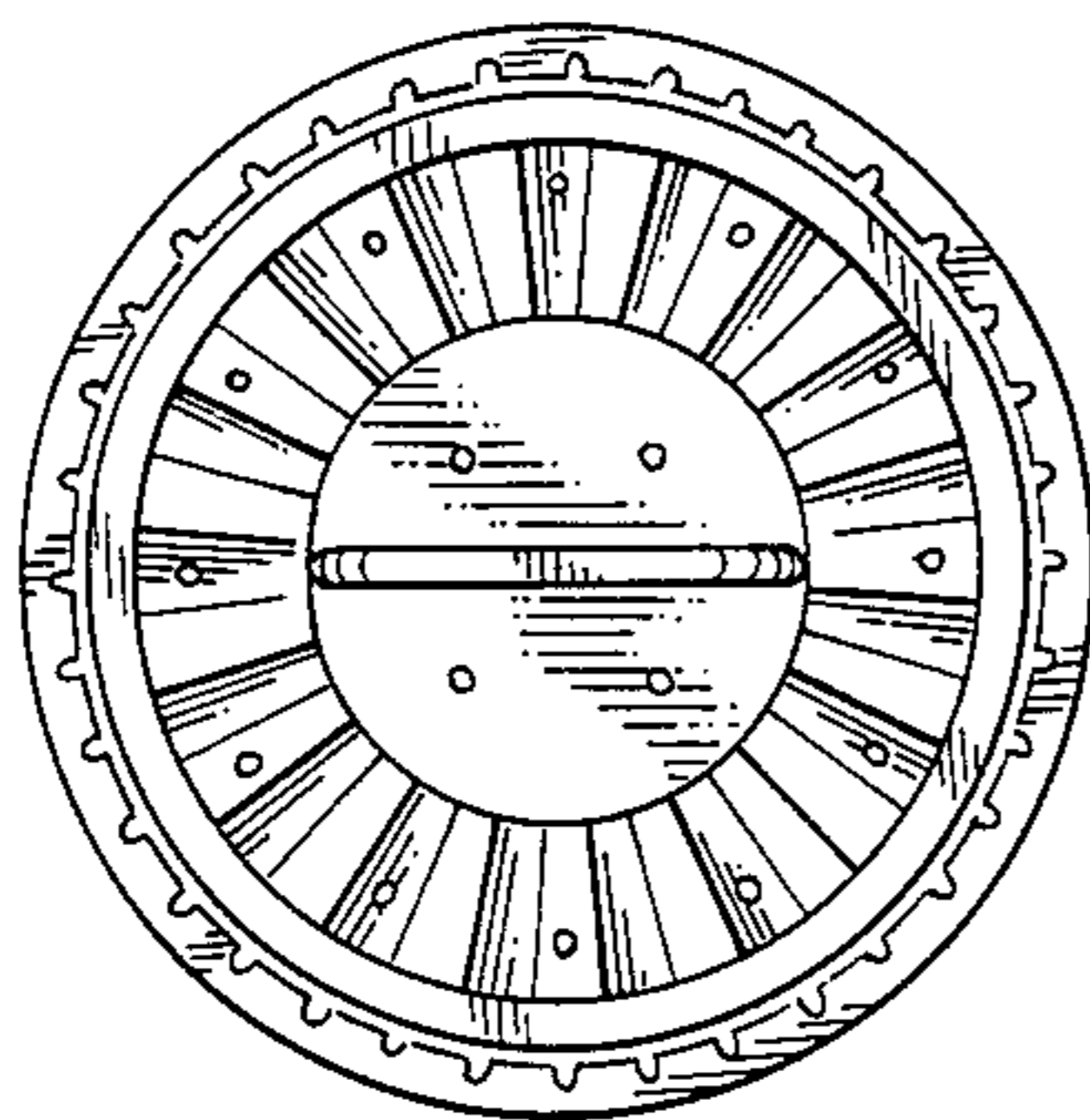


Fig. 3

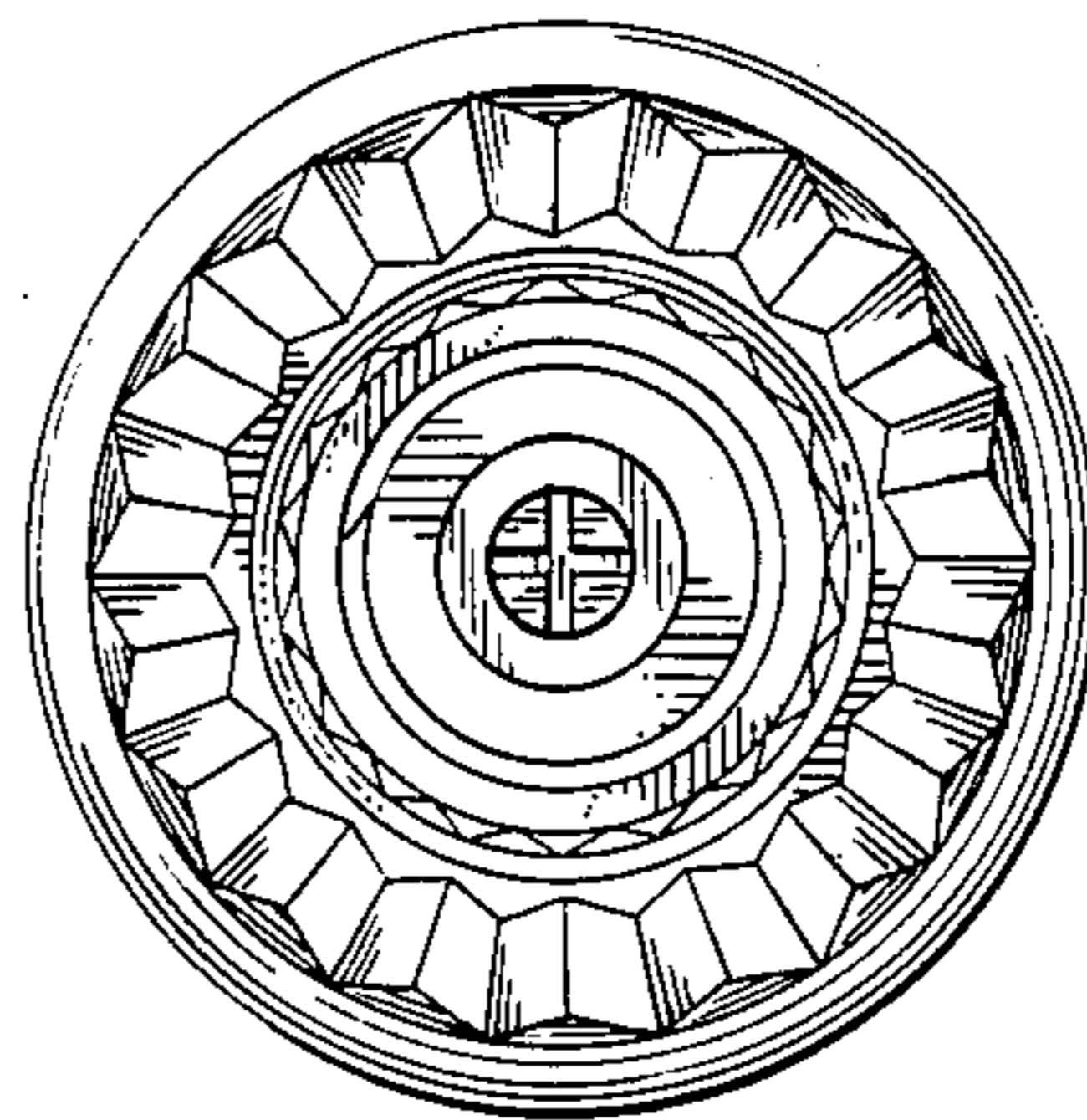


Fig. 4