

[54] TOILET TANK LID LAVATORY

6366853 11/1984 Japan .

[75] Inventor: Mary J. Reid, Sheboygan, Wis.

OTHER PUBLICATIONS

[73] Assignee: Kohler Co., Kohler, Wis.

Exhibit A, Kohler Plumbing Products K-400 Design Manual, pp. 9-13, published Oct. 1985, not admitted prior art.

[**] Term: 14 Years

Exhibit B, Ideal-Standard advertisement for "Tulip" toilet, undated, admitted prior art.

[21] Appl. No.: 852,510

Exhibit I, Kohler K-73 Plumbing Products Catalog, p. 54, published 1973.

[22] Filed: Apr. 15, 1986

[52] U.S. Cl. D23/294; D23/313

[58] Field of Search D23/284-294,
D23/313; 4/353, 619, 630, 638, 661, 663-665

Primary Examiner—James R. Largen
Attorney, Agent, or Firm—Quarles & Brady

[56] References Cited

[57] CLAIM

U.S. PATENT DOCUMENTS

The ornamental design for a toilet tank lid lavatory, as shown and described.

- D. 88,713 12/1932 Kohler et al. D23/291
- D. 215,291 9/1969 Owings D23/294
- D. 268,780 4/1983 Doman et al. D23/65
- 1,808,294 6/1931 Crane 4/664
- 1,868,760 7/1932 Norberg 4/665
- 1,935,779 11/1933 Kemach 4/665
- 2,860,348 11/1958 McClenahan 4/665
- 3,015,827 1/1962 Iwata 4/664
- 3,588,922 6/1971 Carfora 4/665

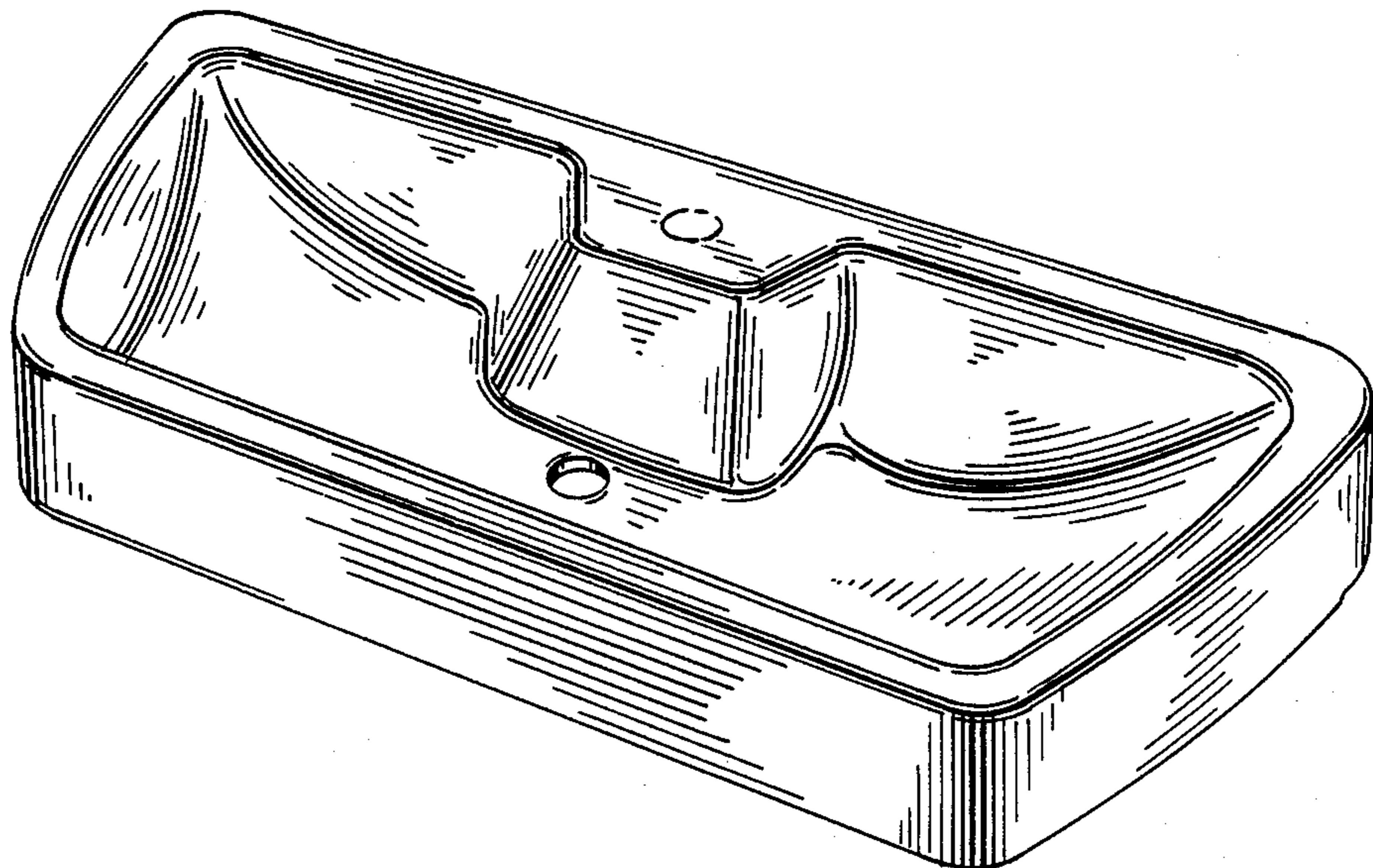
DESCRIPTION

FIG. 1 is a top perspective view of a toilet tank lid lavatory showing my new design; FIG. 2 is a top plan view thereof; FIG. 3 is a bottom plan view thereof; FIG. 4 is a left side elevational view thereof; FIG. 5 is a right side elevational view thereof; FIG. 6 is a front elevational view thereof; FIG. 7 is a rear elevational view thereof; and FIG. 8 is a cross-sectional view taken along line 8—8 of FIG. 2.

FOREIGN PATENT DOCUMENTS

- 604605 7/1983 Japan .
- 604606 7/1983 Japan .
- 636685 11/1984 Japan .
- 6366851 11/1984 Japan .

The broken line representations of holes in FIGS. 1, 2 and 3 are for purposes of illustration only.



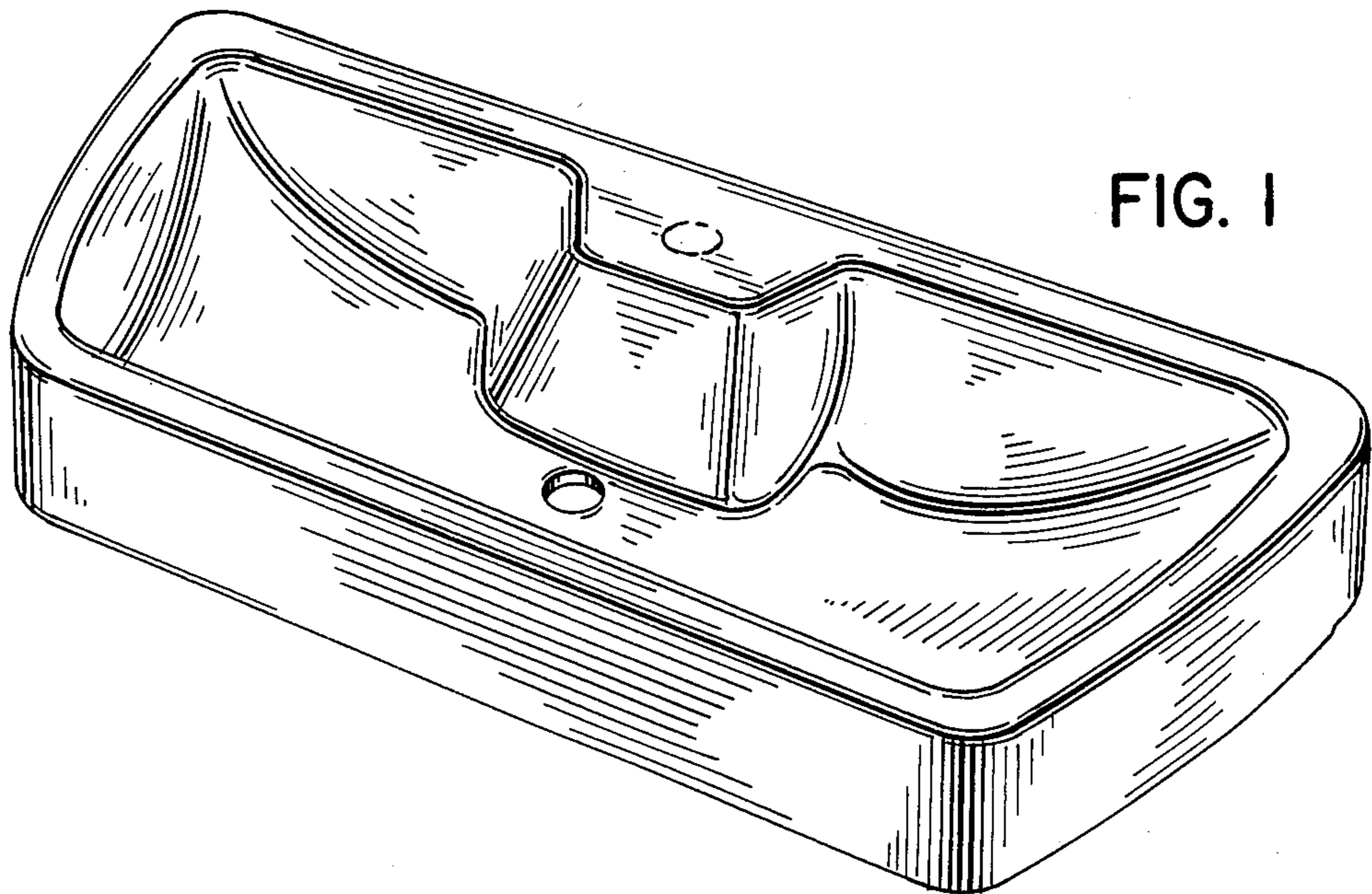


FIG. 2

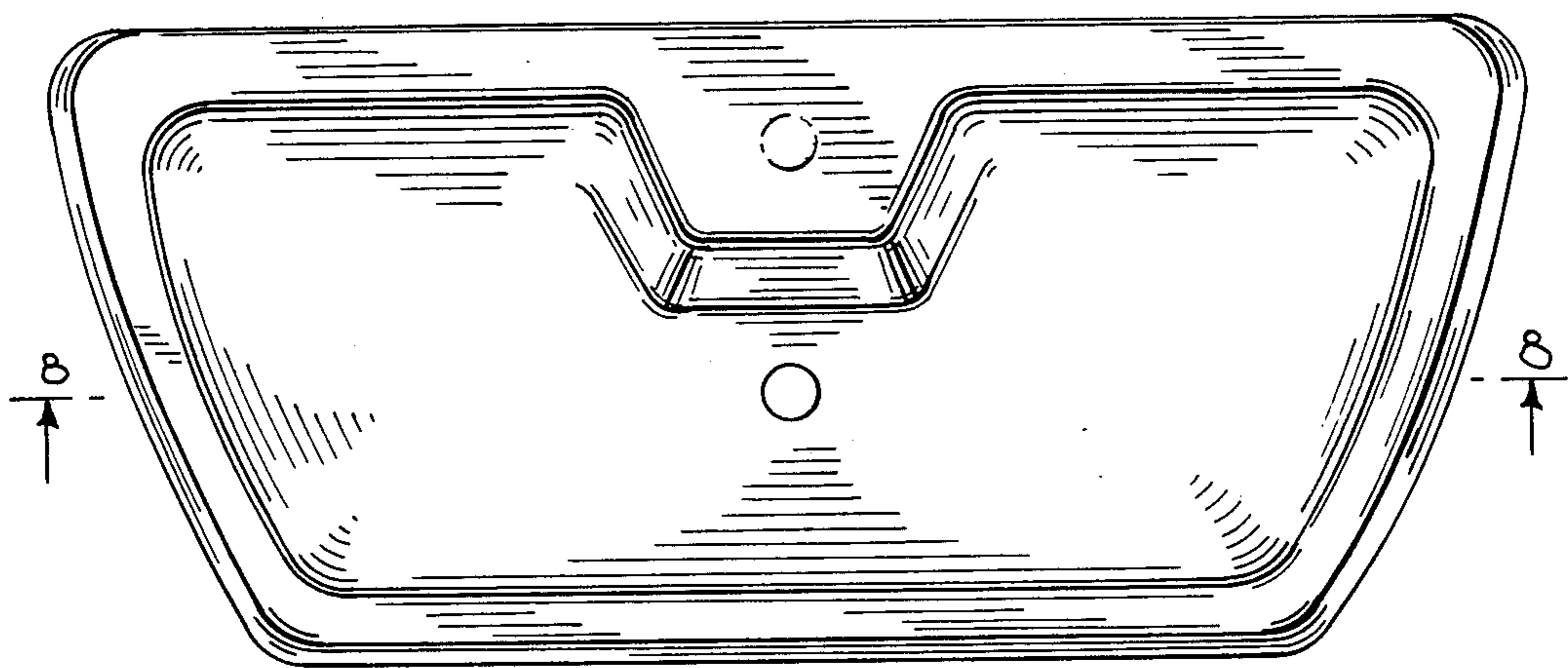
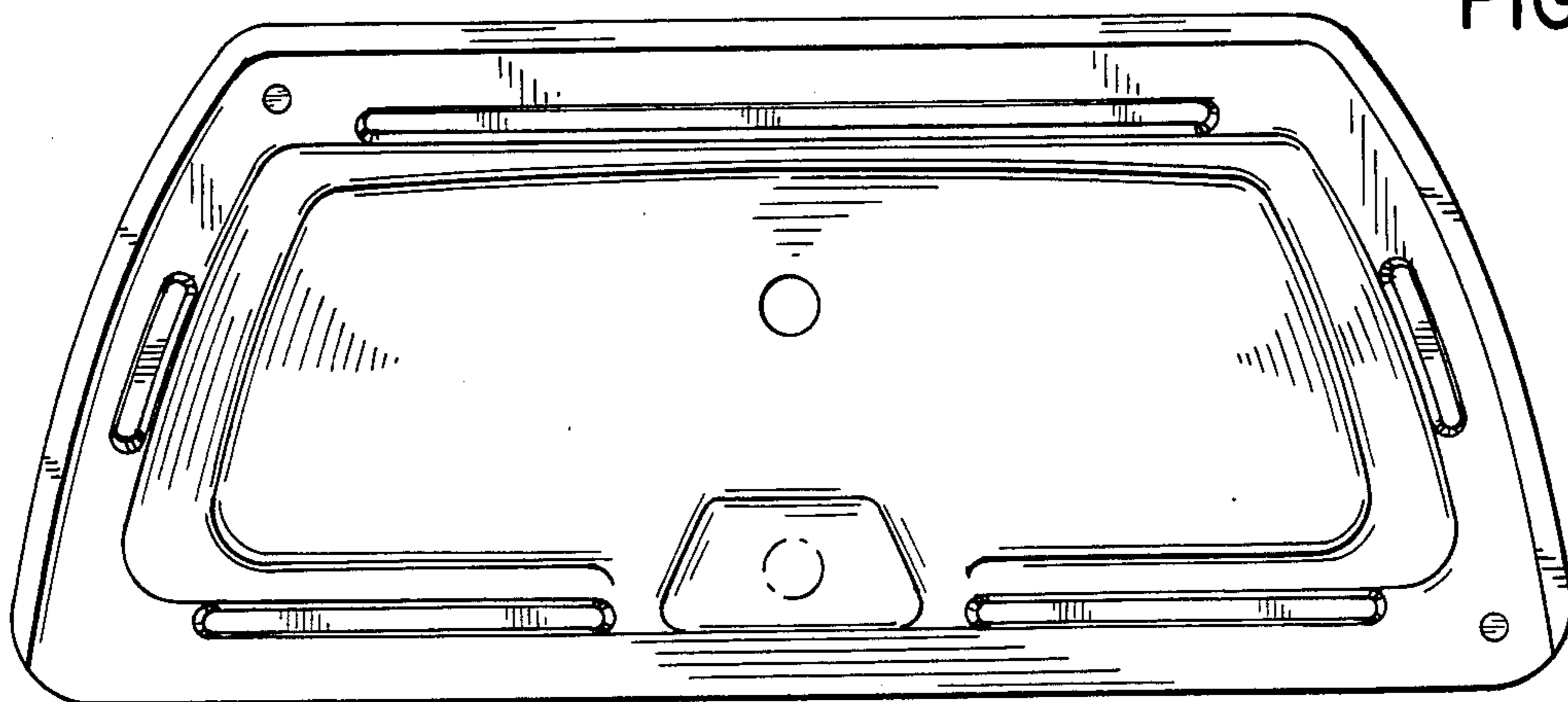


FIG. 3



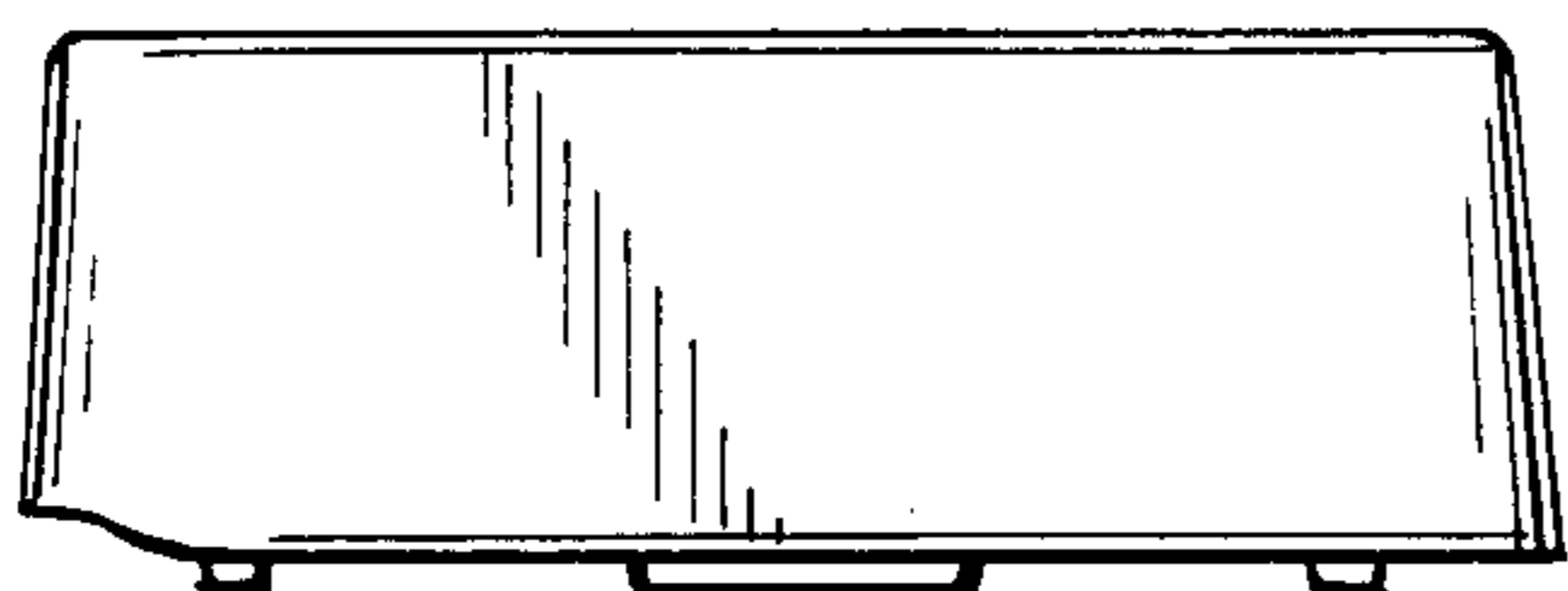


FIG. 4

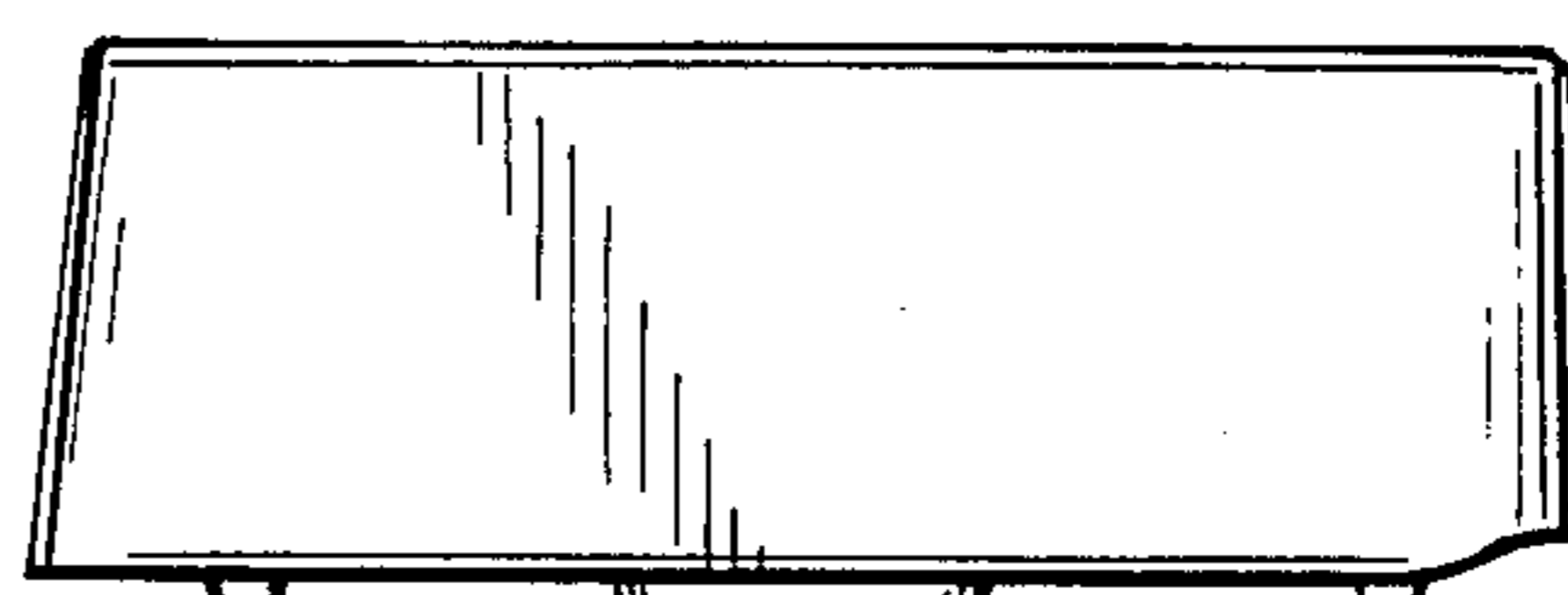


FIG. 5

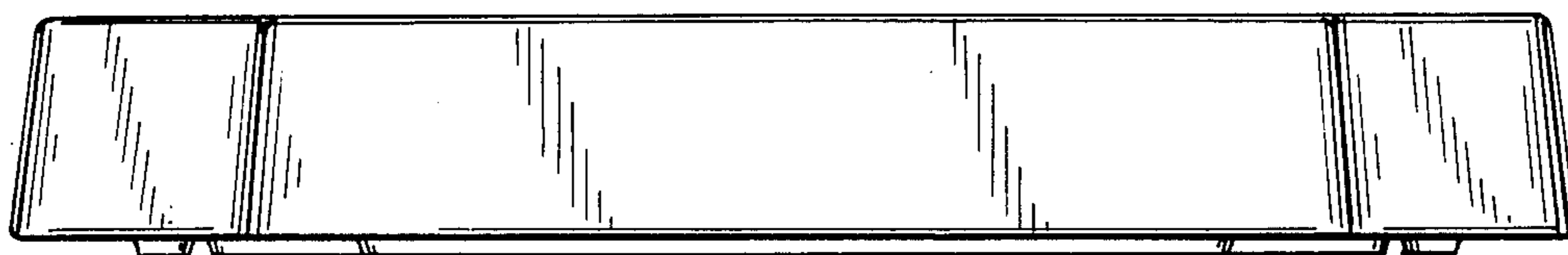


FIG. 6

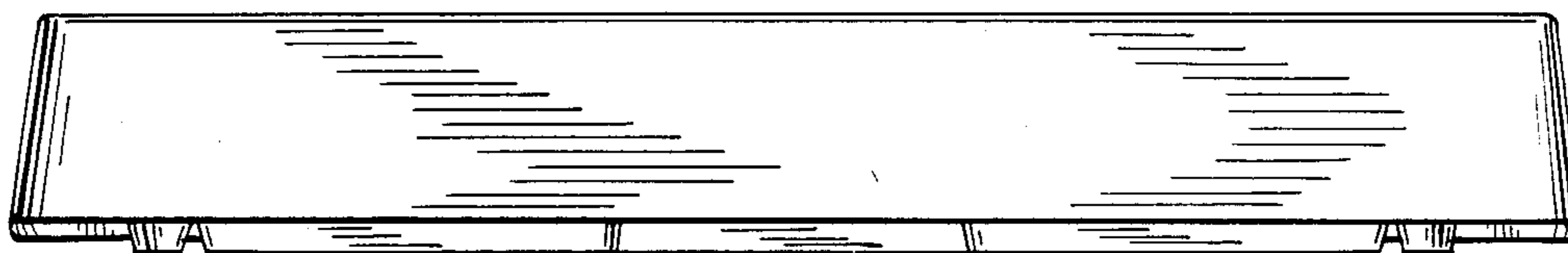


FIG. 7

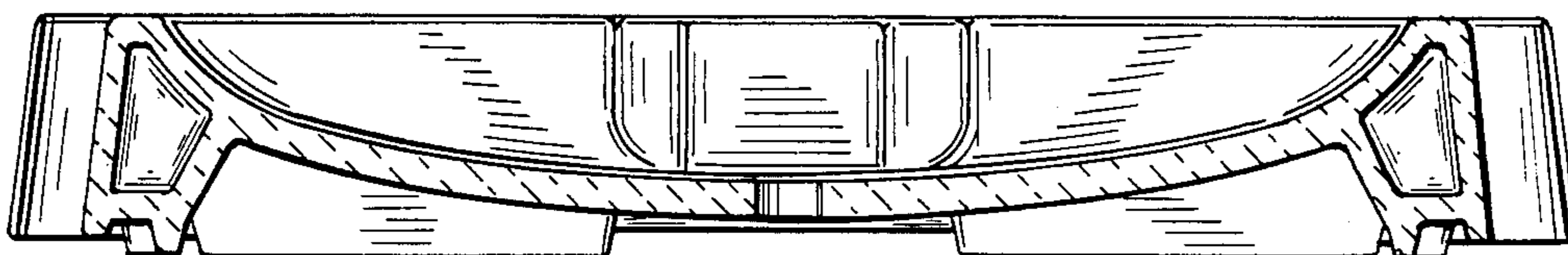


FIG. 8