

[54] GOLF CLUB HEAD

[76] Inventor: Anthony J. Antonious, 205 E. Joppa Rd., Towson, Md. 21204

[**] Term: 14 Years

[21] Appl. No.: 847,886

[22] Filed: Apr. 4, 1986

[52] U.S. Cl. D21/219

[58] Field of Search D21/214-220; 273/167-175, 164

[56] References Cited

U.S. PATENT DOCUMENTS

D. 259,732 6/1981 Vella D21/217

OTHER PUBLICATIONS

Golf Digest, Jun. 1985, p. 32, lower left, Putter.

Primary Examiner—Melvin B. Feifer
Attorney, Agent, or Firm—Nicholas J. Aquilino

[57] CLAIM

The ornamental design for a golf club head, as shown and described.

DESCRIPTION

FIG. 1 is a rear perspective view of the golf club head showing my new design.

FIG. 2 is a rear elevational view thereof.

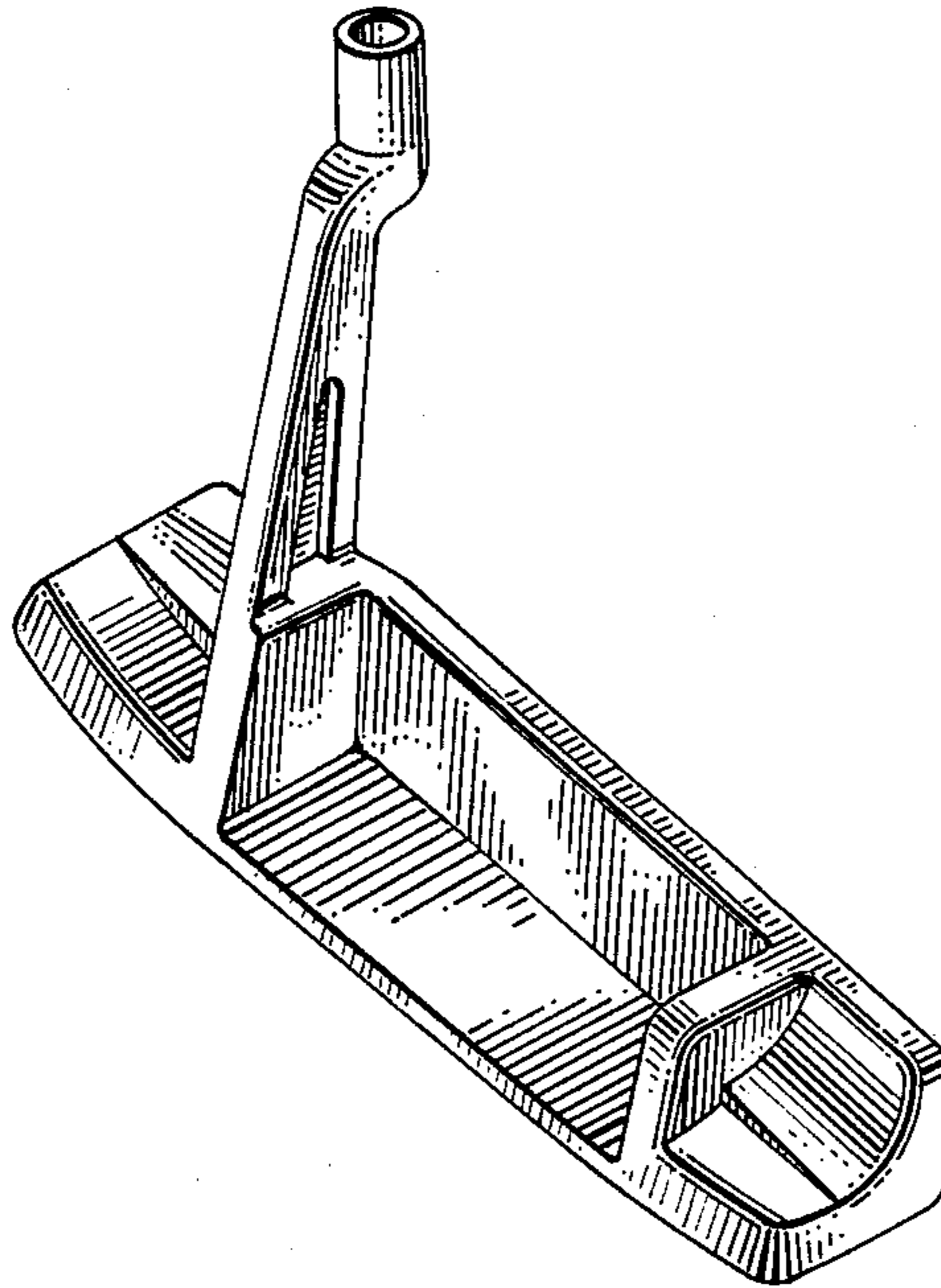
FIG. 3 is an end elevational view thereof.

FIG. 4 is a top plan view thereof.

FIG. 5 is a front elevational view;

FIG. 6 is an end elevational view taken from the opposite side of FIG. 3.

FIG. 7 is a bottom view thereof.



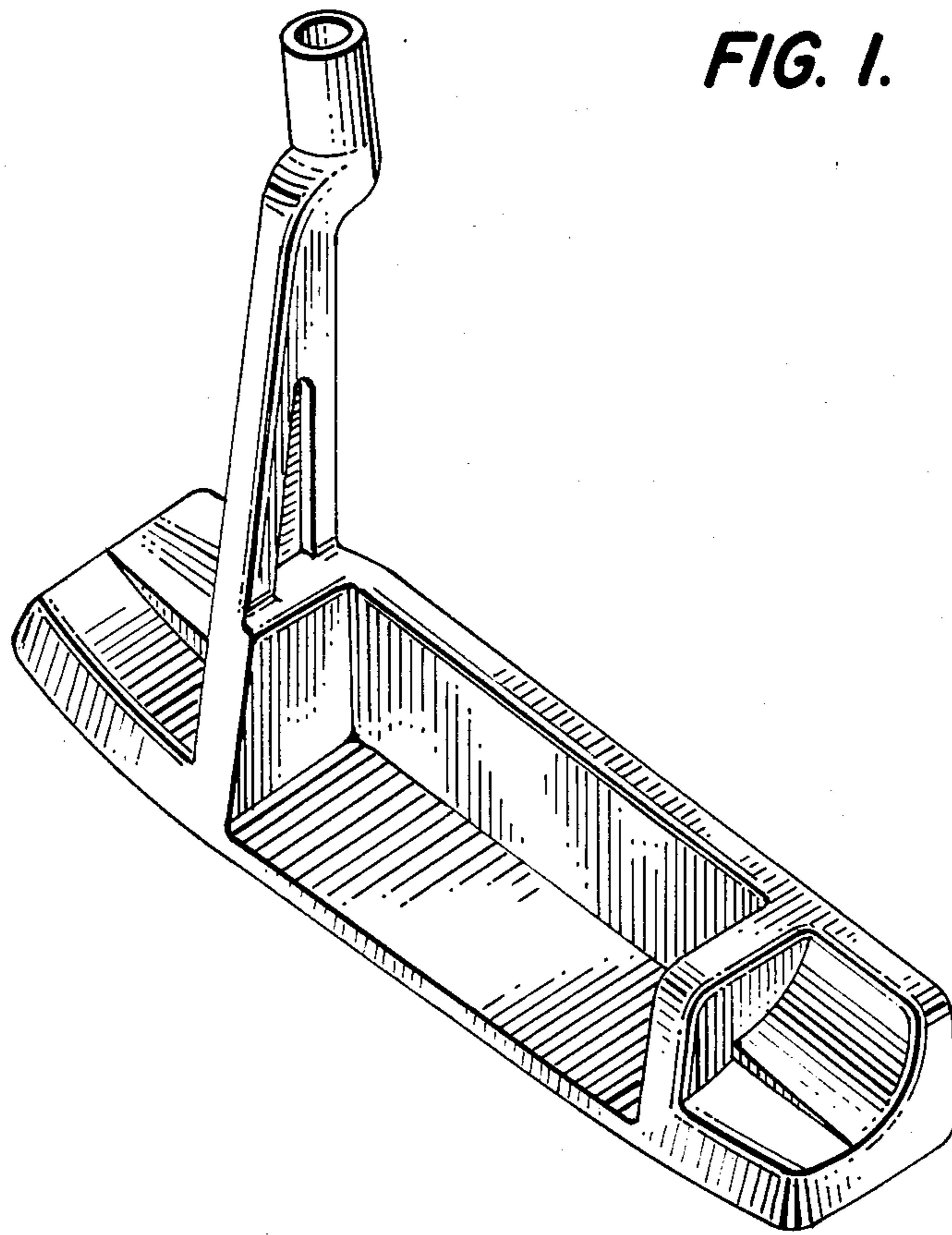


FIG. 1.

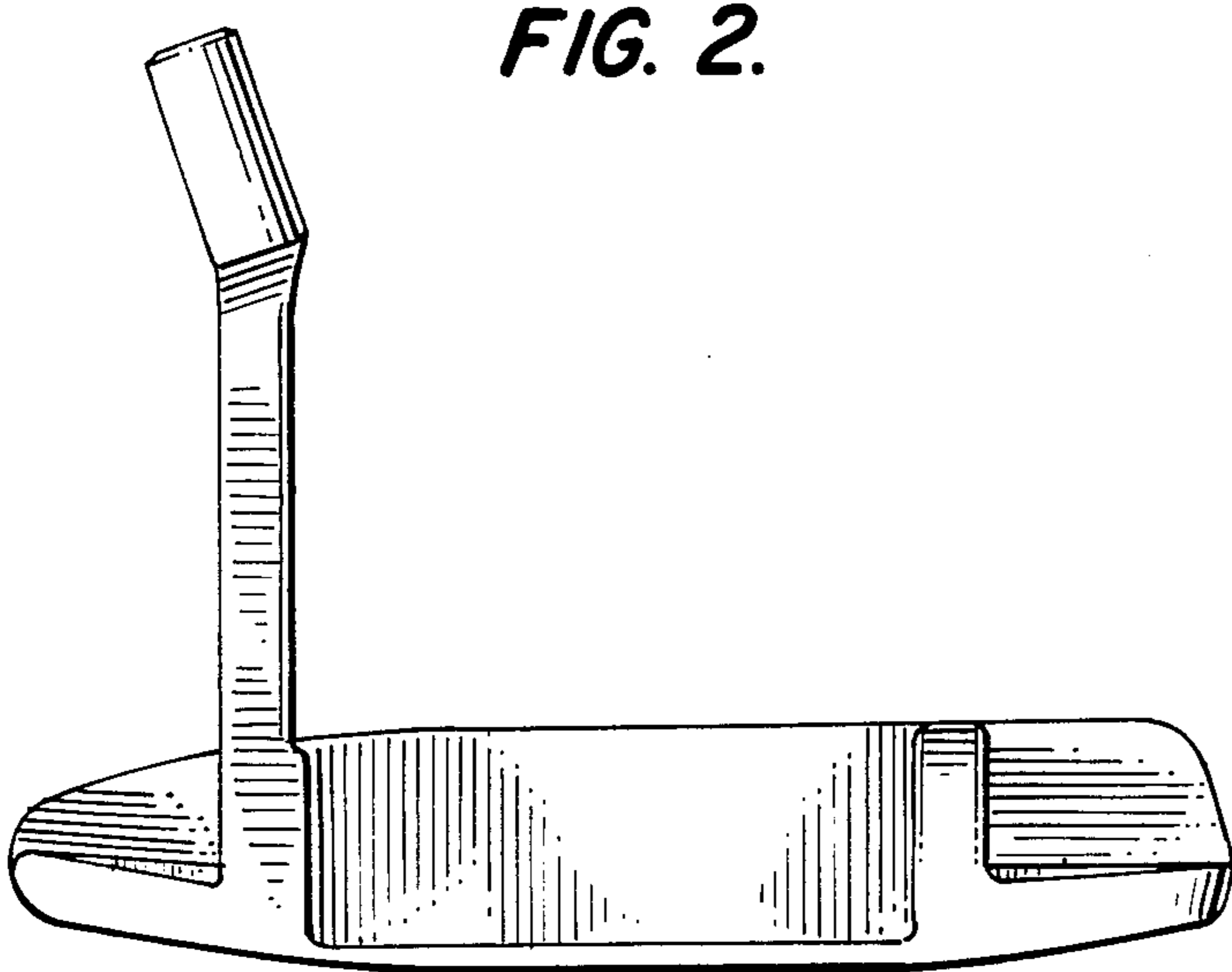


FIG. 2.

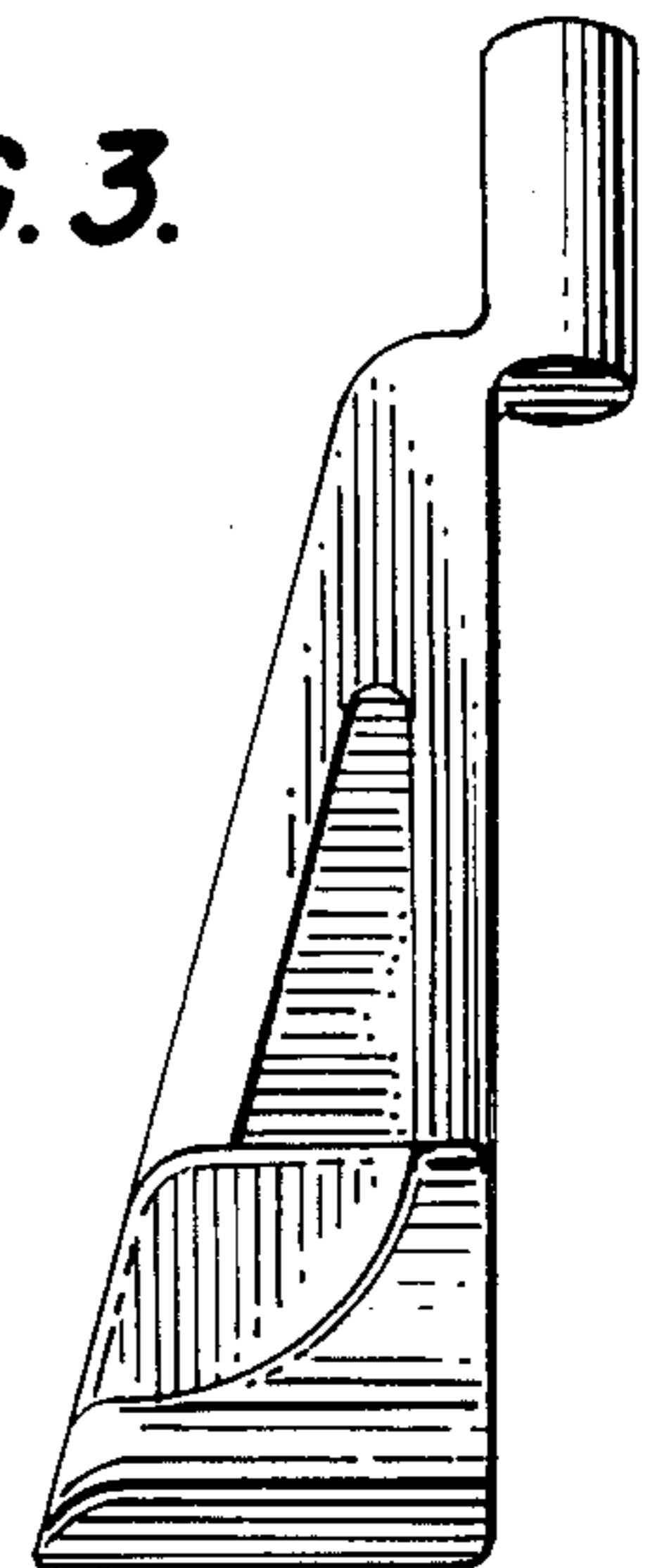


FIG. 3.

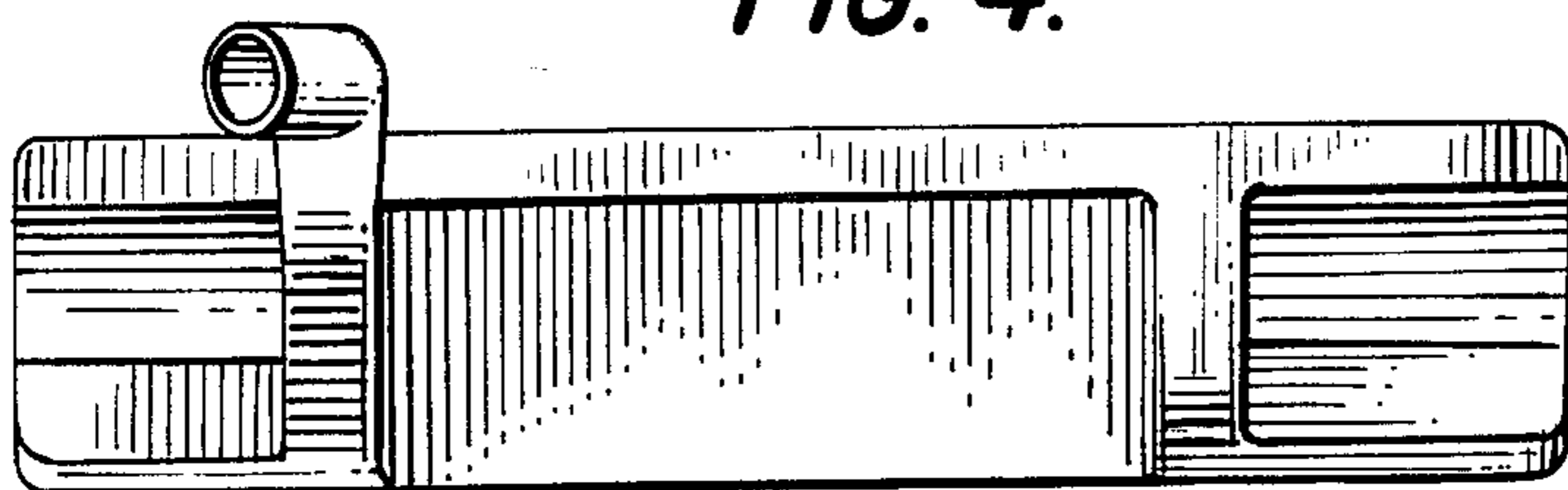


FIG. 4.

FIG. 5.

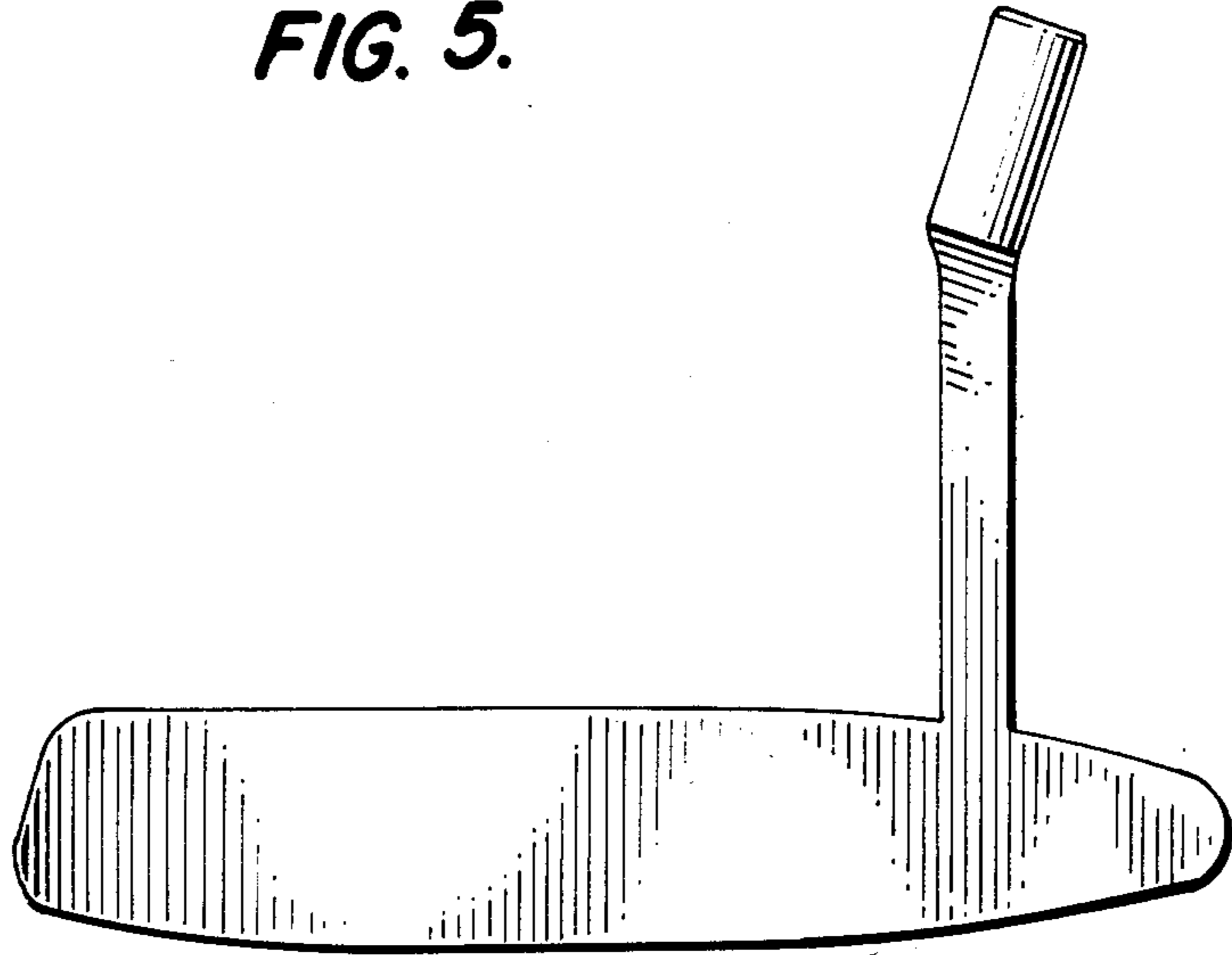


FIG. 6.

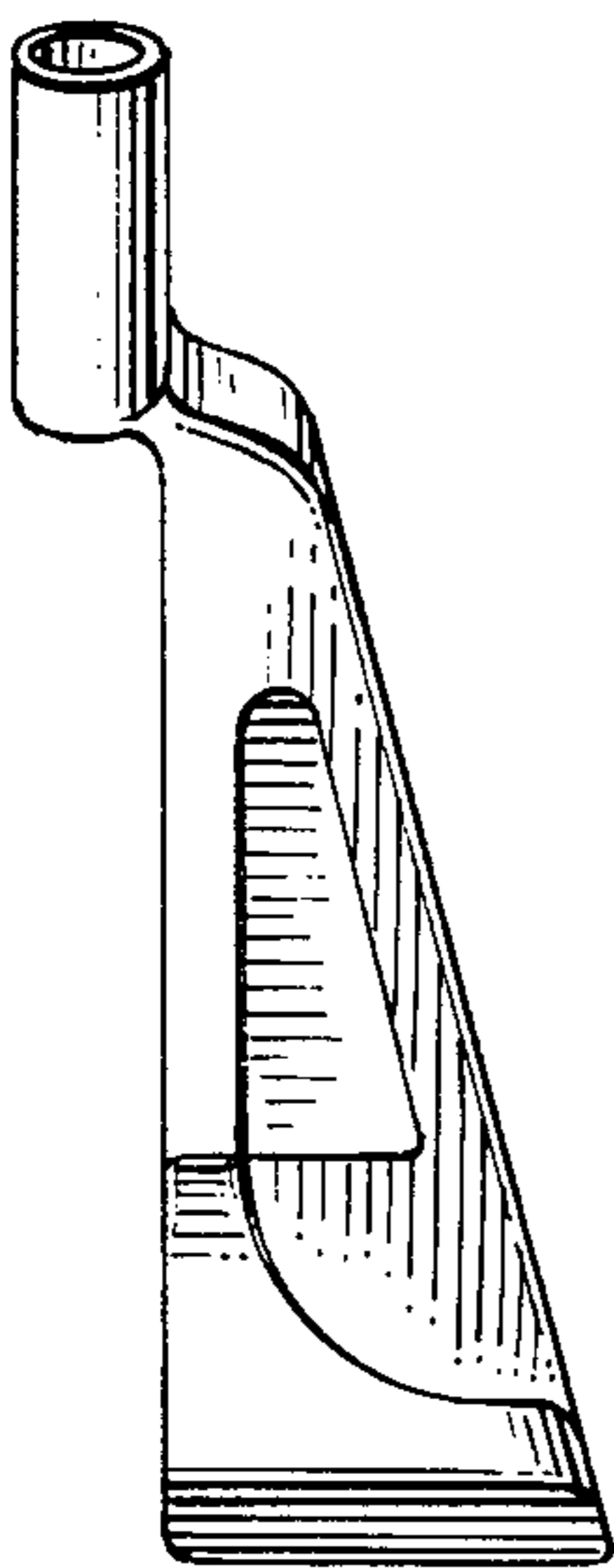


FIG. 7.

