

[54] **TOY BASKETBALL GOAL**

[75] **Inventor: Ernest L. Thornell, Booneville, Ark.**

[73] **Assignee: Spang & Company, Butler, Pa.**

[**] **Term: 14 Years**

[21] **Appl. No.: 815,738**

[22] **Filed: Jan. 2, 1986**

[52] **U.S. Cl. D21/201**

[58] **Field of Search D21/201; 273/1.5 R**

[56] **References Cited**

U.S. PATENT DOCUMENTS

- D. 139,311 10/1944 Gibson D21/201
- 4,145,044 3/1979 Wilson et al. 273/1.5 R

OTHER PUBLICATIONS

Montgomery Ward 1983 Xmas Cat., p. 122, bottom, item "G", Basketball goal.

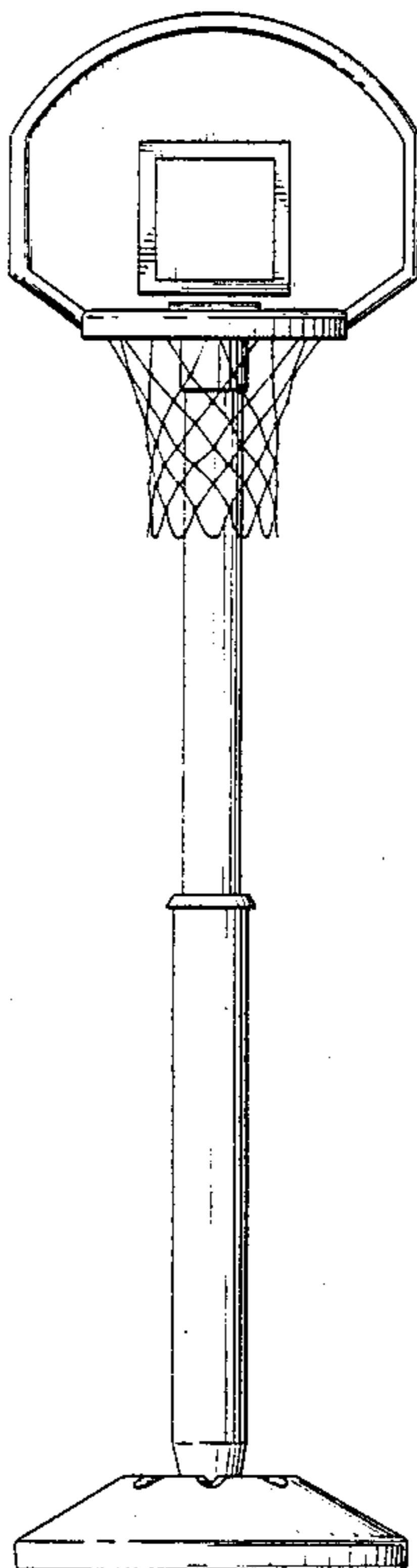
Primary Examiner—Melvin B. Feifer
Attorney, Agent, or Firm—Raymond N. Baker

[57] **CLAIM**

The ornamental design for a toy basketball goal, substantially as shown and described.

DESCRIPTION

FIG. 1 is a front elevation view of a toy basketball goal showing my new design;
FIG. 2 is a rear elevation view thereof;
FIG. 3 is a left side elevation view thereof;
FIG. 4 is a top plan view thereof, and
FIG. 5 is a perspective enlarged view of the base thereof, the pole being shown fragmentarily for convenience of illustration.



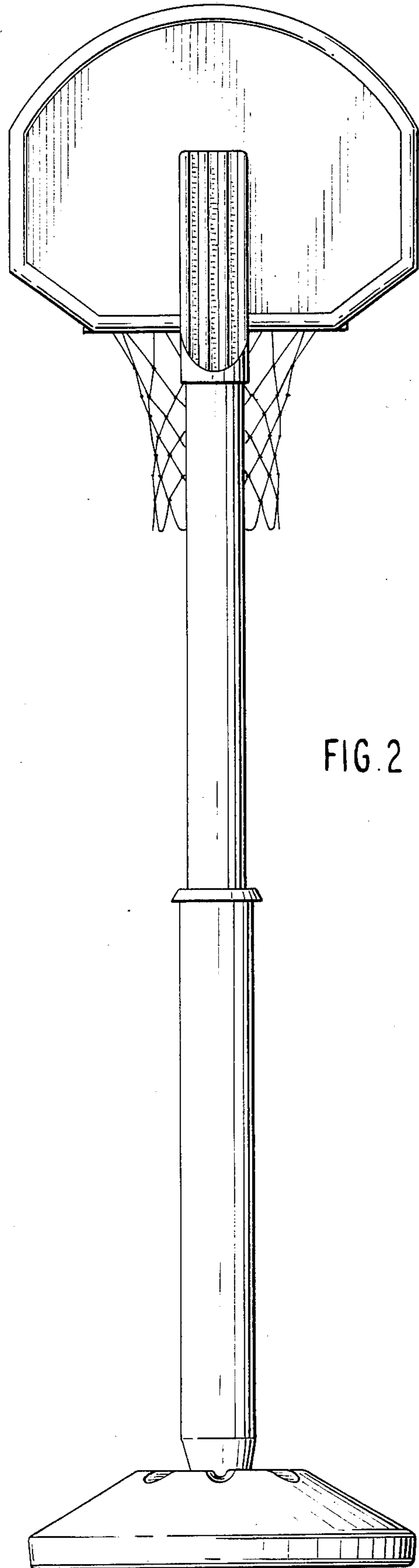
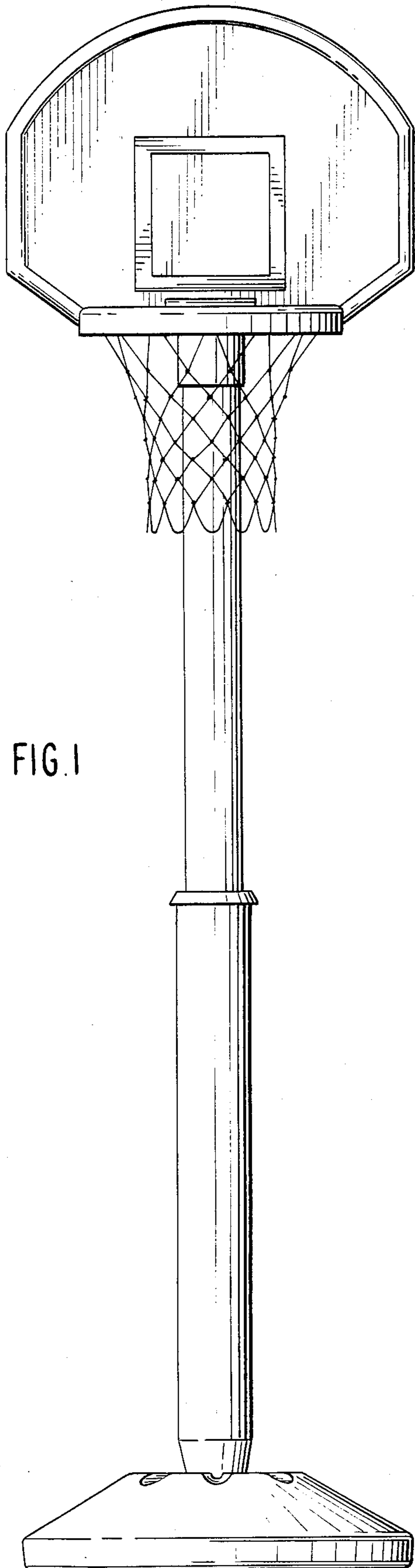


FIG. 3

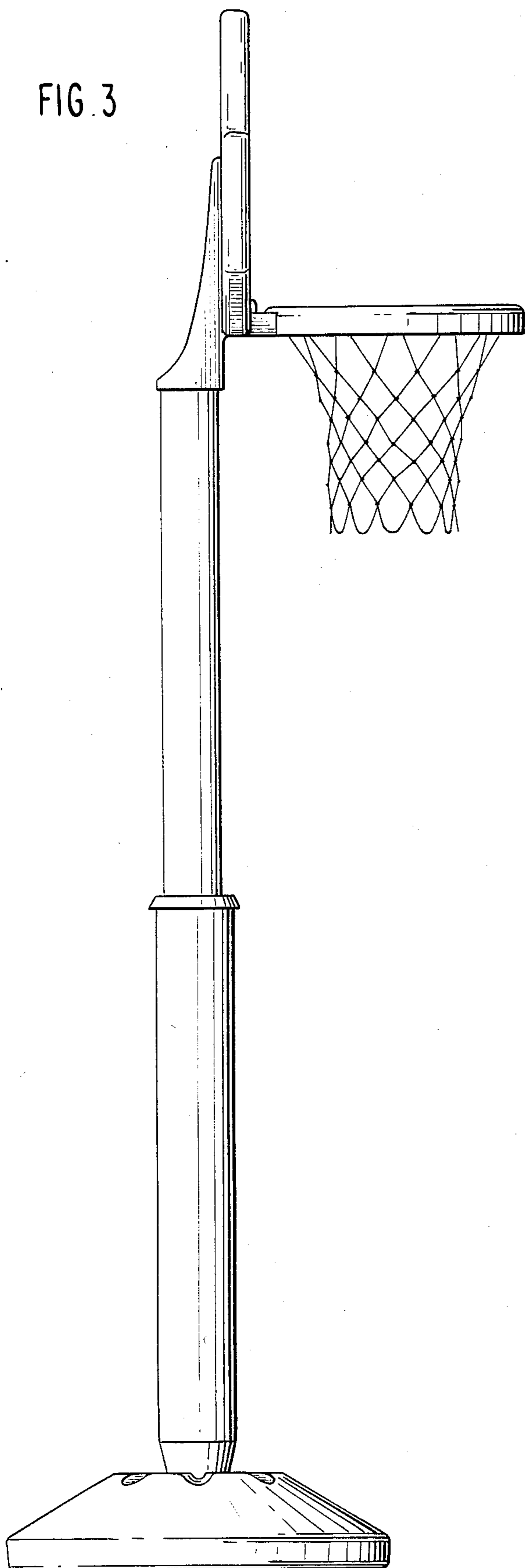


FIG. 4

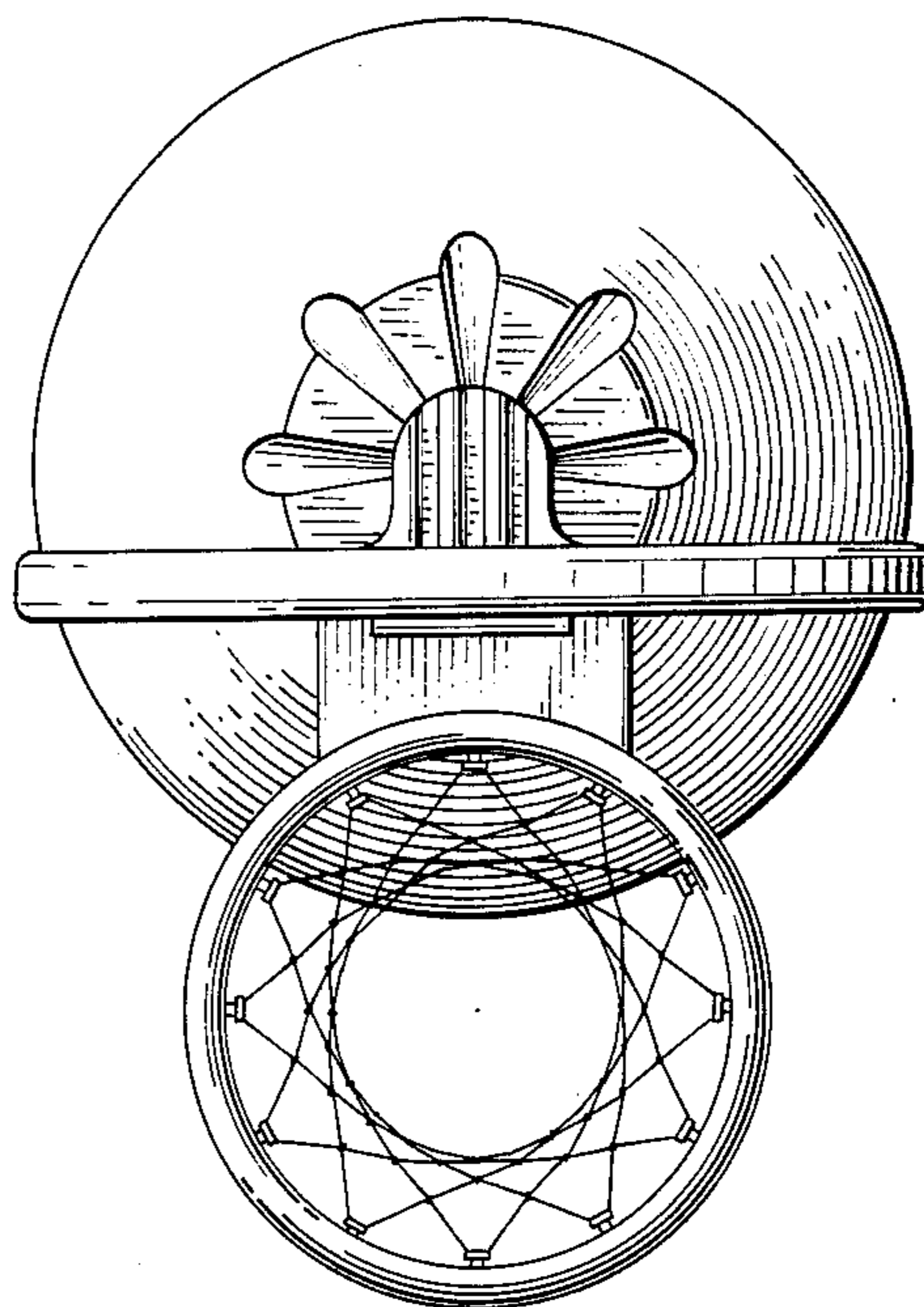


FIG. 5

