

[54] HANGING FILE HOLDER

[75] Inventor: Gerald J. Klodt, Madison, Wis.

[73] Assignee: W. T. Rogers Company, Madison, Wis.

[\*\*] Term: 14 Years

[21] Appl. No.: 782,357

[22] Filed: Oct. 1, 1985

[52] U.S. Cl. .... D19/90; D6/407

[58] Field of Search ..... D14/65, 75-79, D14/86-88, 90, 92, 95, 99, 100, 85; D6/407, 475; D3/35; 206/475; D9/347; 211/10, 11, 40, 42, 45, 50

[56] References Cited

U.S. PATENT DOCUMENTS

D. 242,319 11/1976 Ackeret ..... D6/407

D. 245,056 7/1977 Winther ..... D6/407  
D. 264,786 6/1982 Faas et al. .... D6/475

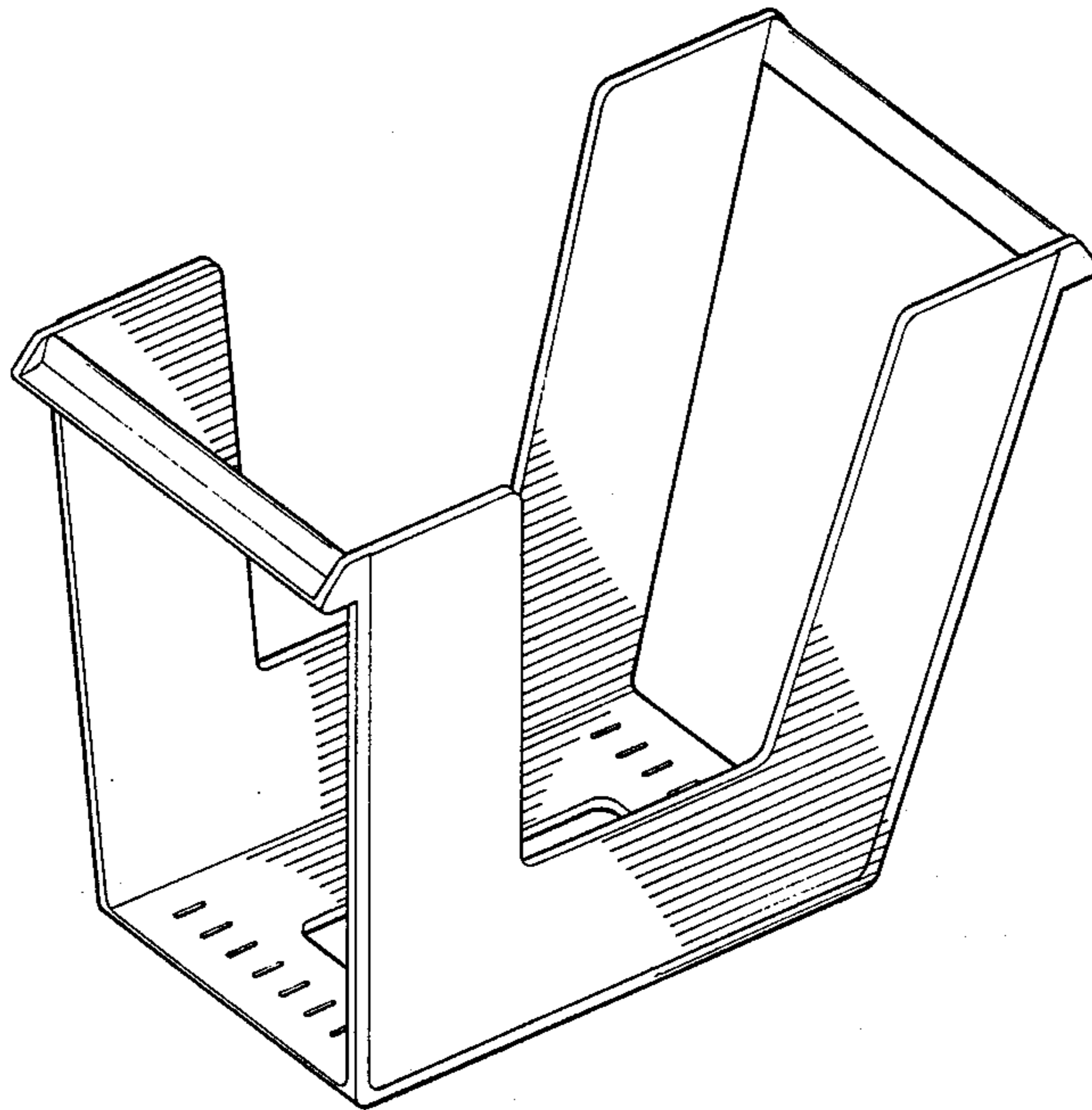
Primary Examiner—Bernard Ansher  
Assistant Examiner—Theodore M. Shooman  
Attorney, Agent, or Firm—Lathrop & Clark

[57] CLAIM

The ornamental design for a hanging file holder, as shown and described.

DESCRIPTION

FIG. 1 is a top, front and left side perspective view of a hanging side perspective view of a hanging file holder showing my new design;  
FIG. 2 is a left side elevational view thereof, the right side being identical;  
FIG. 3 is a top plan view thereof;  
FIG. 4 is a front elevational view thereof, the rear being identical; and  
FIG. 5 is a bottom plan view thereof.



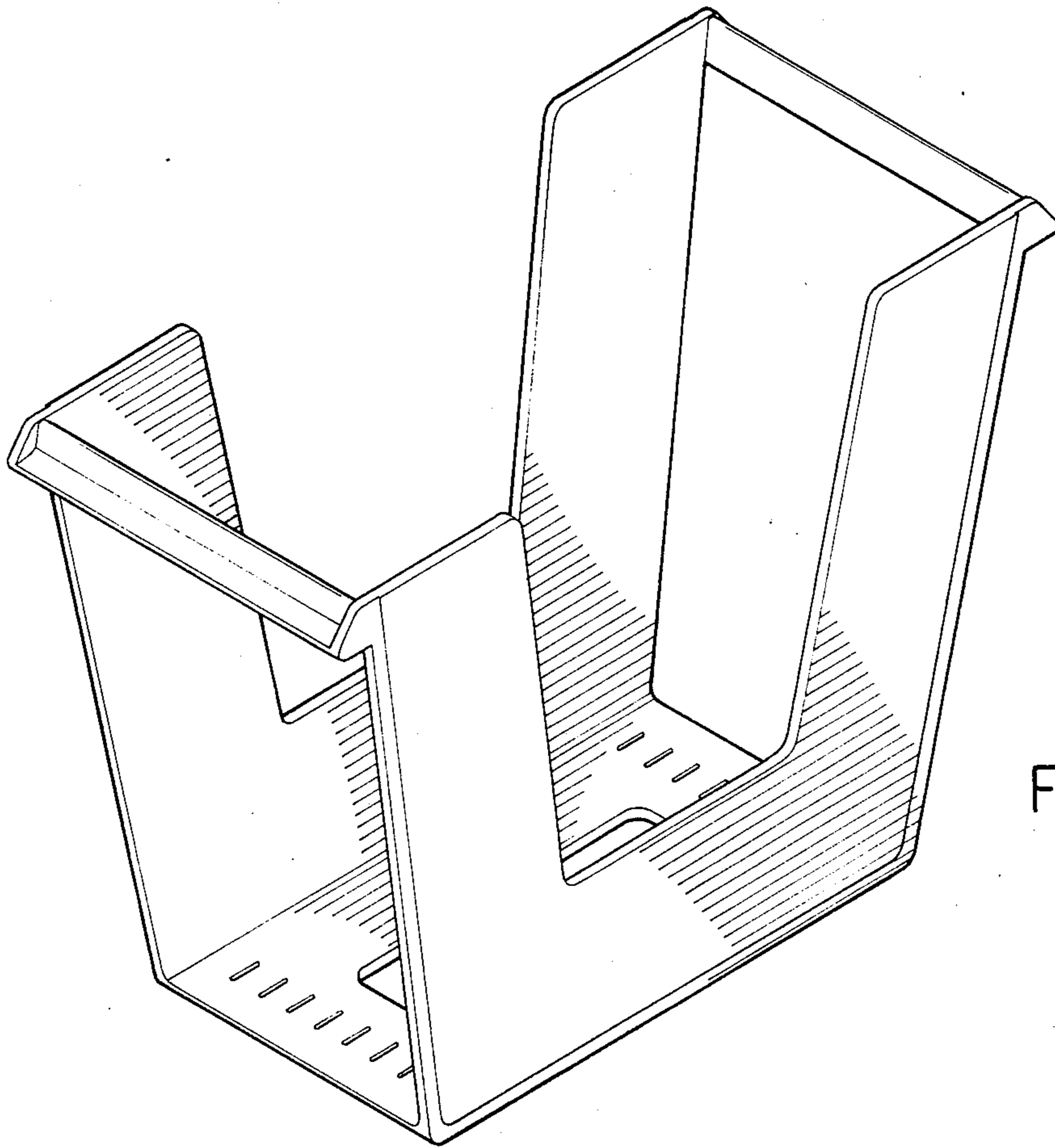


FIG. 1

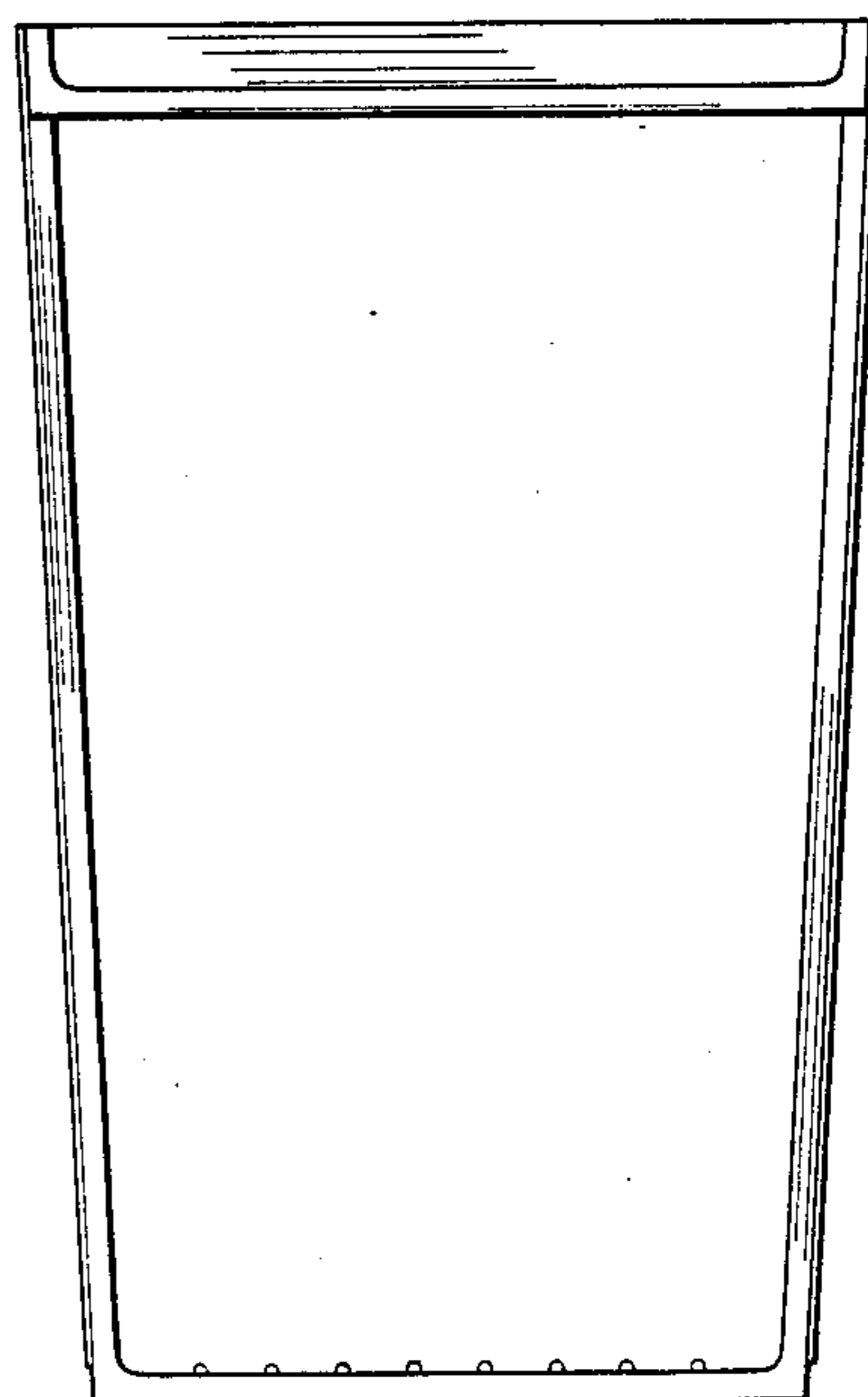


FIG. 2

FIG. 3

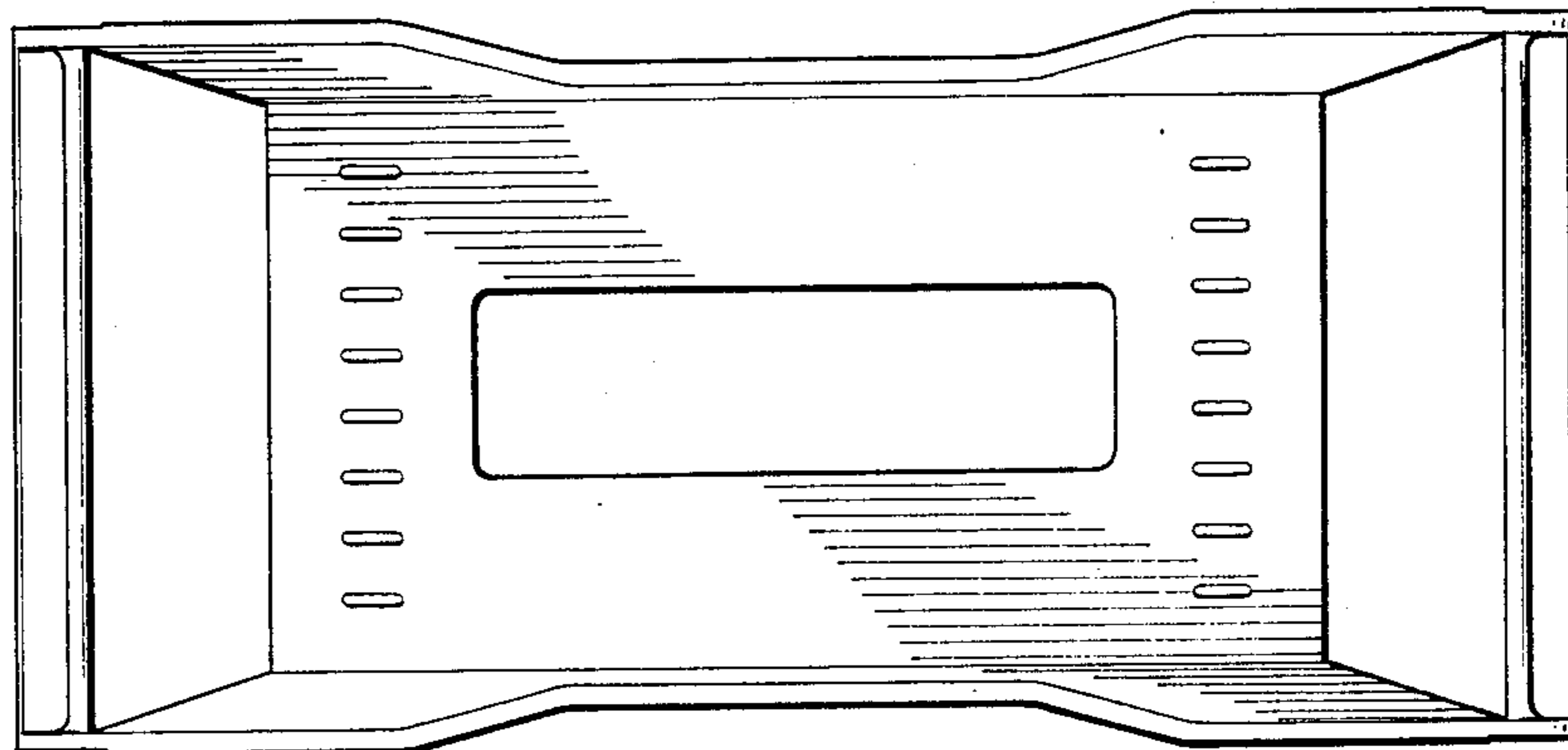


FIG. 4

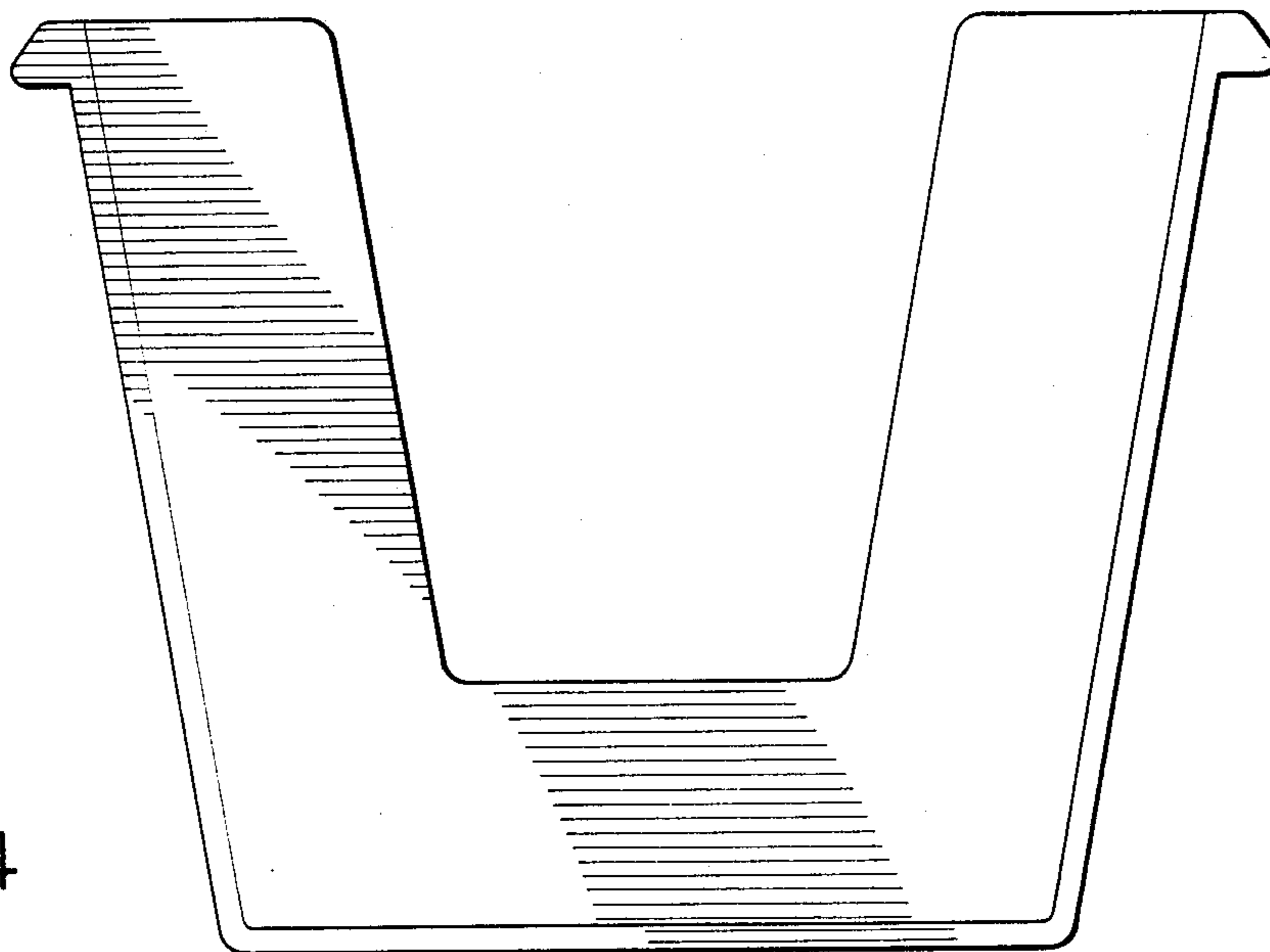


FIG. 5

