

[54] **SUNGLASSES**

[76] **Inventor: Dana E. Seaboyer, 246 E. Main St.,
Georgetown, Mass. 01833**

[**] **Term: 14 Years**

[21] **Appl. No.: 931,568**

[22] **Filed: Nov. 17, 1986**

[52] **U.S. Cl. D16/107; D16/112**

[58] **Field of Search D29/9; D16/100-129;
2/12, 13, 15, 426, 431, 432, 436, 439, 440, 442,
444, 446, 452; 351/41, 43, 45, 47, 48, 51, 52,
57-59, 66, 83, 85, 87, 90-92, 98, 102-106, 108**

[56] **References Cited**

U.S. PATENT DOCUMENTS

D. 201,918 8/1965 Nadel D16/112
D. 272,865 3/1984 Edelman D16/103
2,642,568 6/1953 Stewart 2/436
3,378,851 4/1968 McBrayer 2/452

3,502,396 3/1970 Greenberg 351/157

FOREIGN PATENT DOCUMENTS

547630 9/1942 United Kingdom 2/439

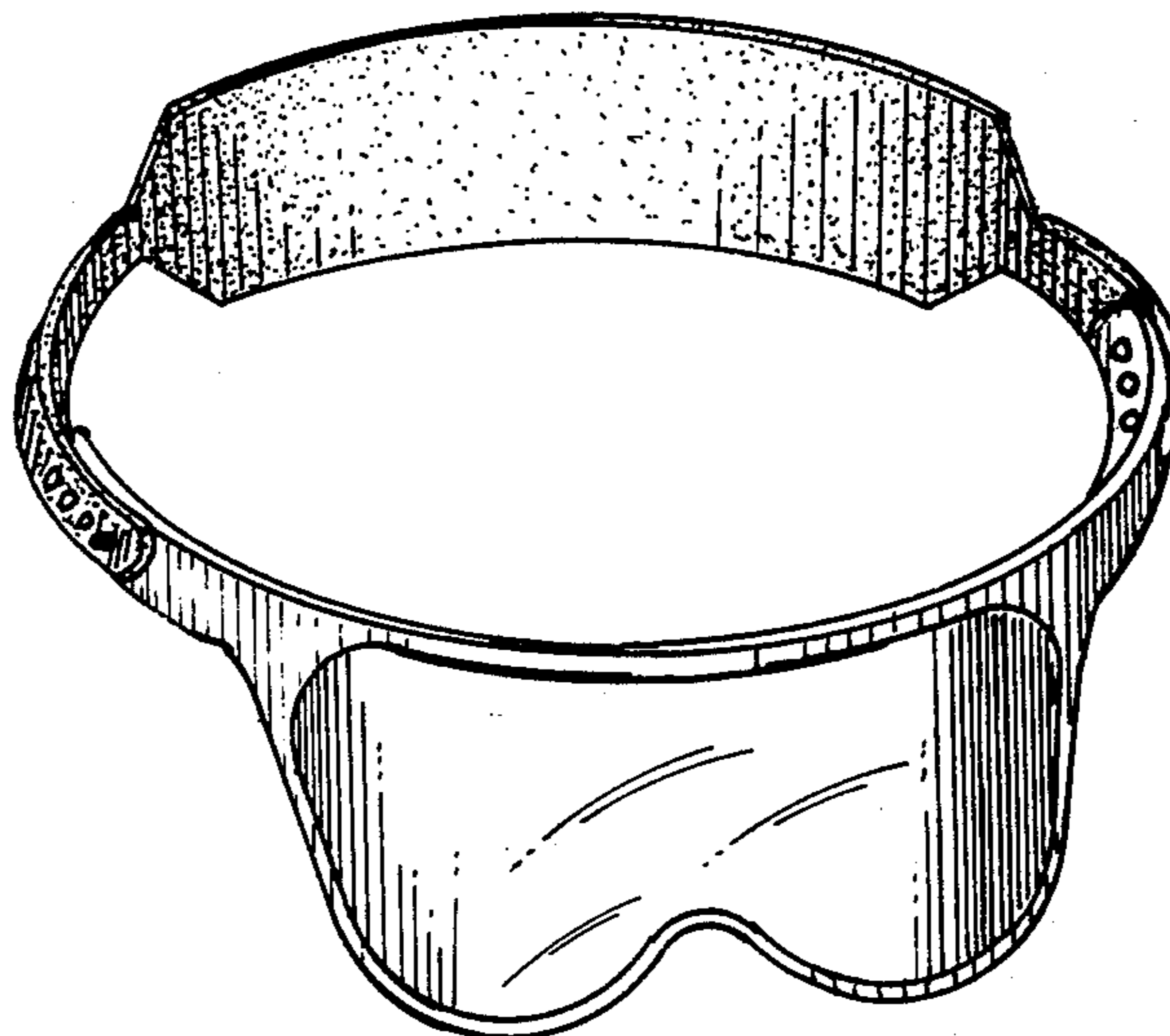
Primary Examiner—Wallace R. Burke
Assistant Examiner—Clare E. Heflin
Attorney, Agent, or Firm—Edward A. Gordon

[57] **CLAIM**

The ornamental design for sunglasses, as shown and described.

DESCRIPTION

FIG. 1 is a front perspective view of the sunglasses showing my new design;
FIG. 2 is a rear perspective view thereof;
FIG. 3 is a front elevational view thereof;
FIG. 4 is a side elevational view thereof;
FIG. 5 is an opposite side elevational view thereof; and
FIG. 6 is a rear elevational view thereof.



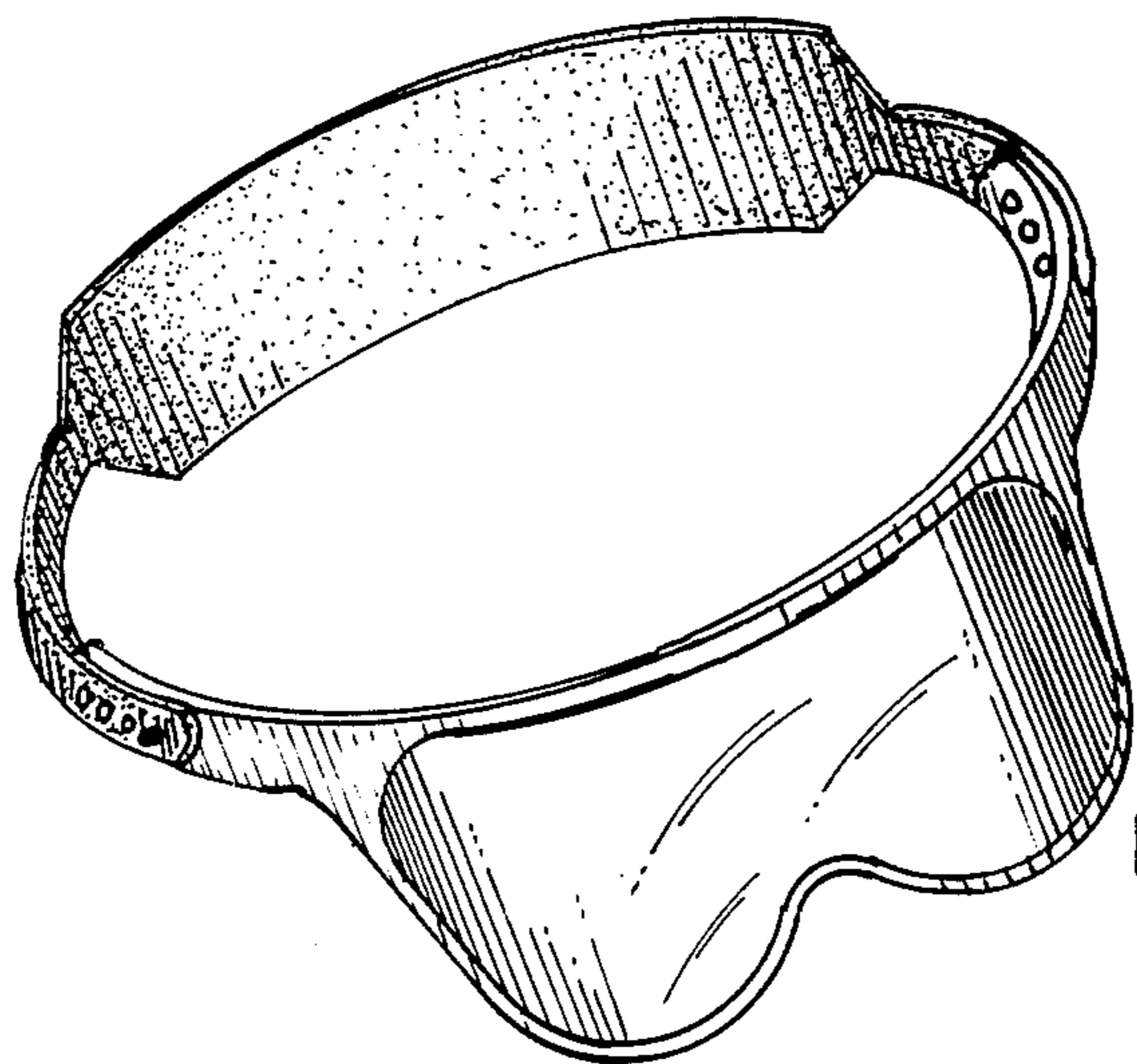


FIG. 1

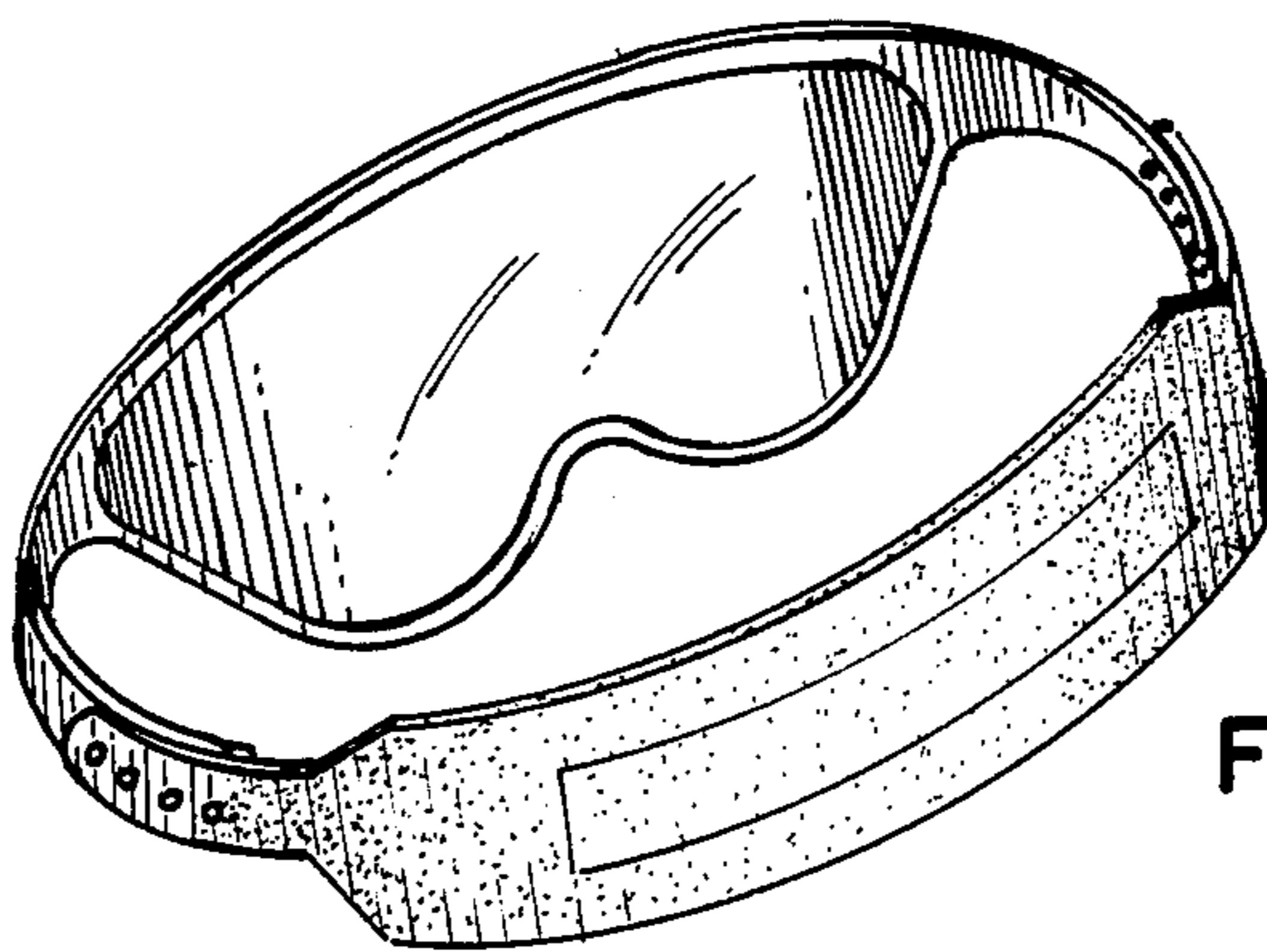


FIG. 2

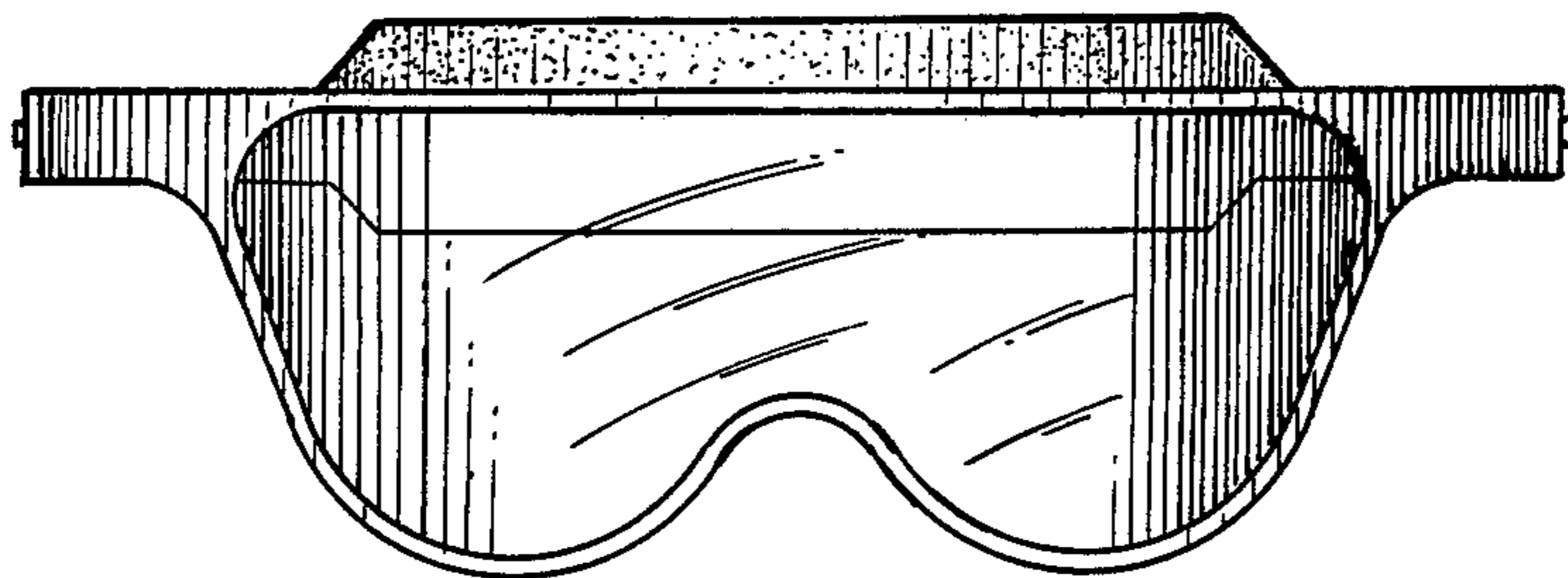


FIG. 3

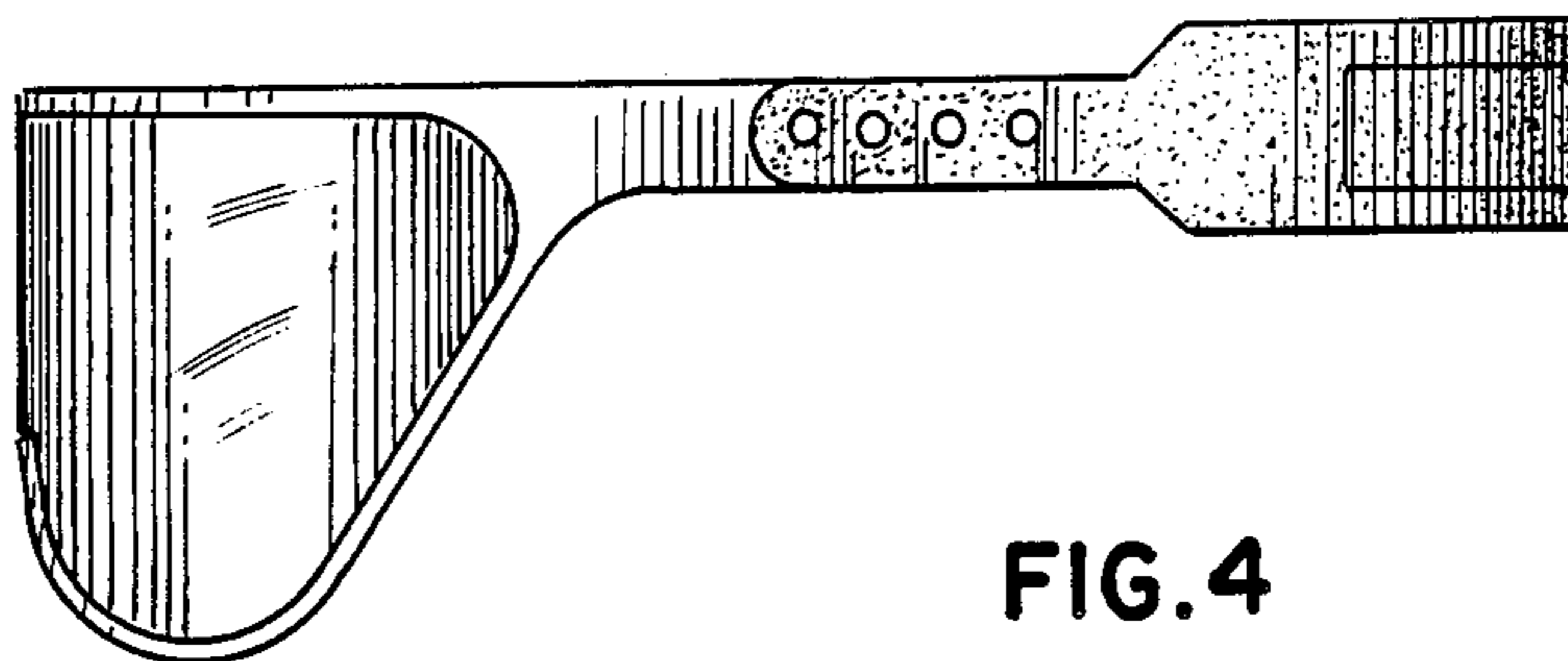


FIG. 4

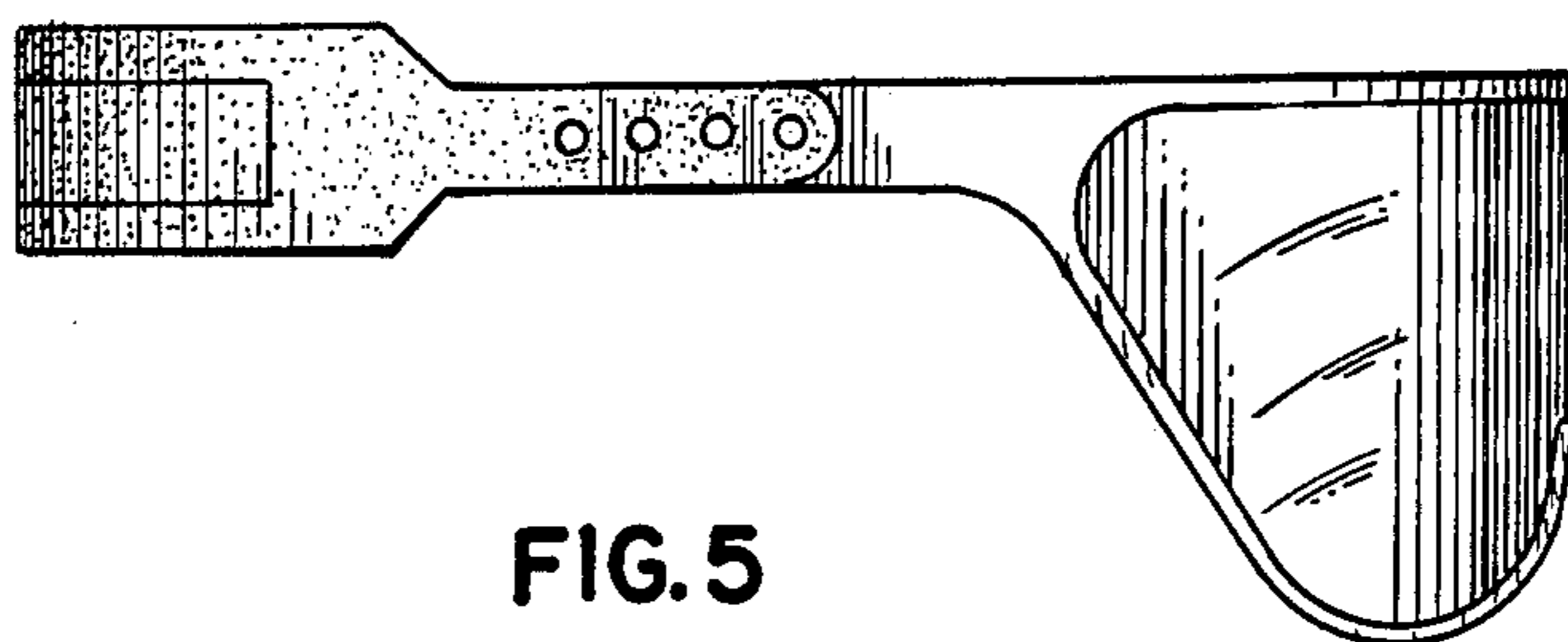


FIG. 5

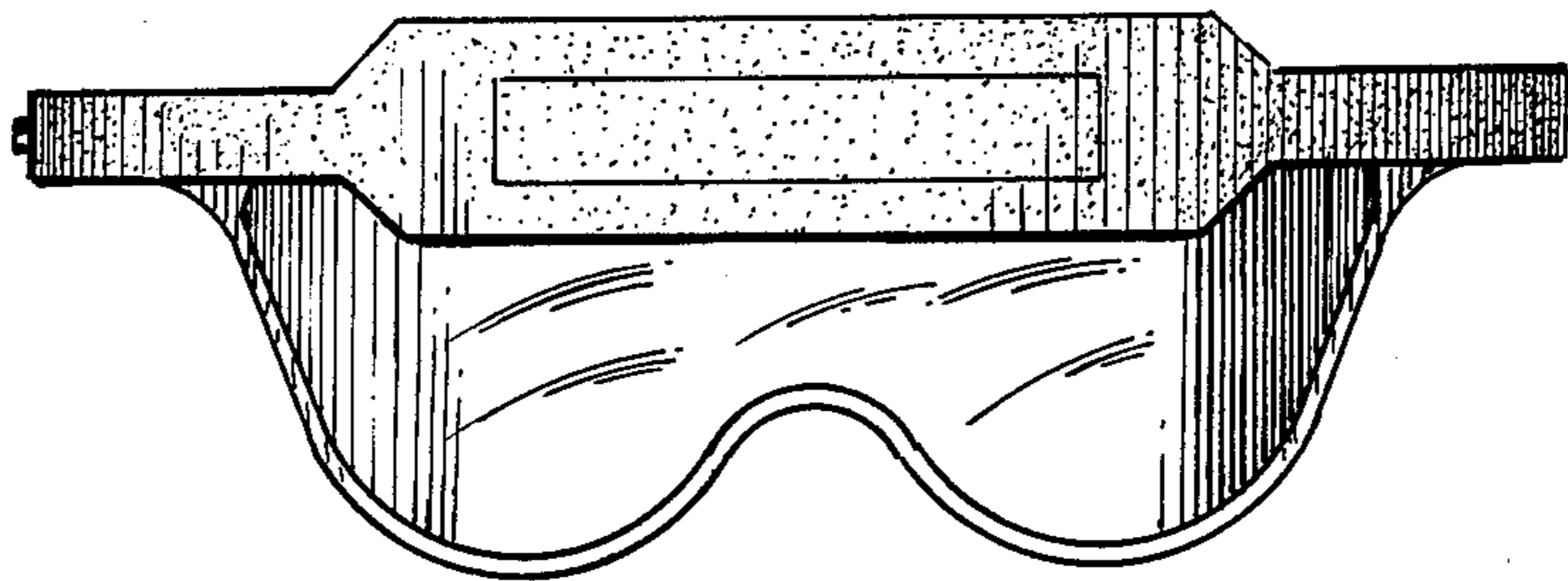


FIG. 6