

[54] **TWO DRUM SANDER**

[76] **Inventor: James F. Steele, 1593 Rice Rd.,  
Centerville, Ind. 47330**

[\*\*] **Term: 14 Years**

[21] **Appl. No.: 857,819**

[22] **Filed: Apr. 28, 1986**

[52] **U.S. Cl. .... D15/124**

[58] **Field of Search ..... D15/124; 51/31, 34 R,  
51/57, 59 R, 157, 72 R; 144/117 R**

[56] **References Cited**

**U.S. PATENT DOCUMENTS**

- D. 226,122 1/1973 Weatherell et al. .... D15/124
- D. 229,957 1/1974 Schuster et al. .... D15/124

- D. 284,863 7/1986 Miller, Jr. .... D15/124
- D. 292,099 9/1987 Miller, Jr. .... D15/124
- 3,872,627 3/1975 Schuster ..... 51/135 R

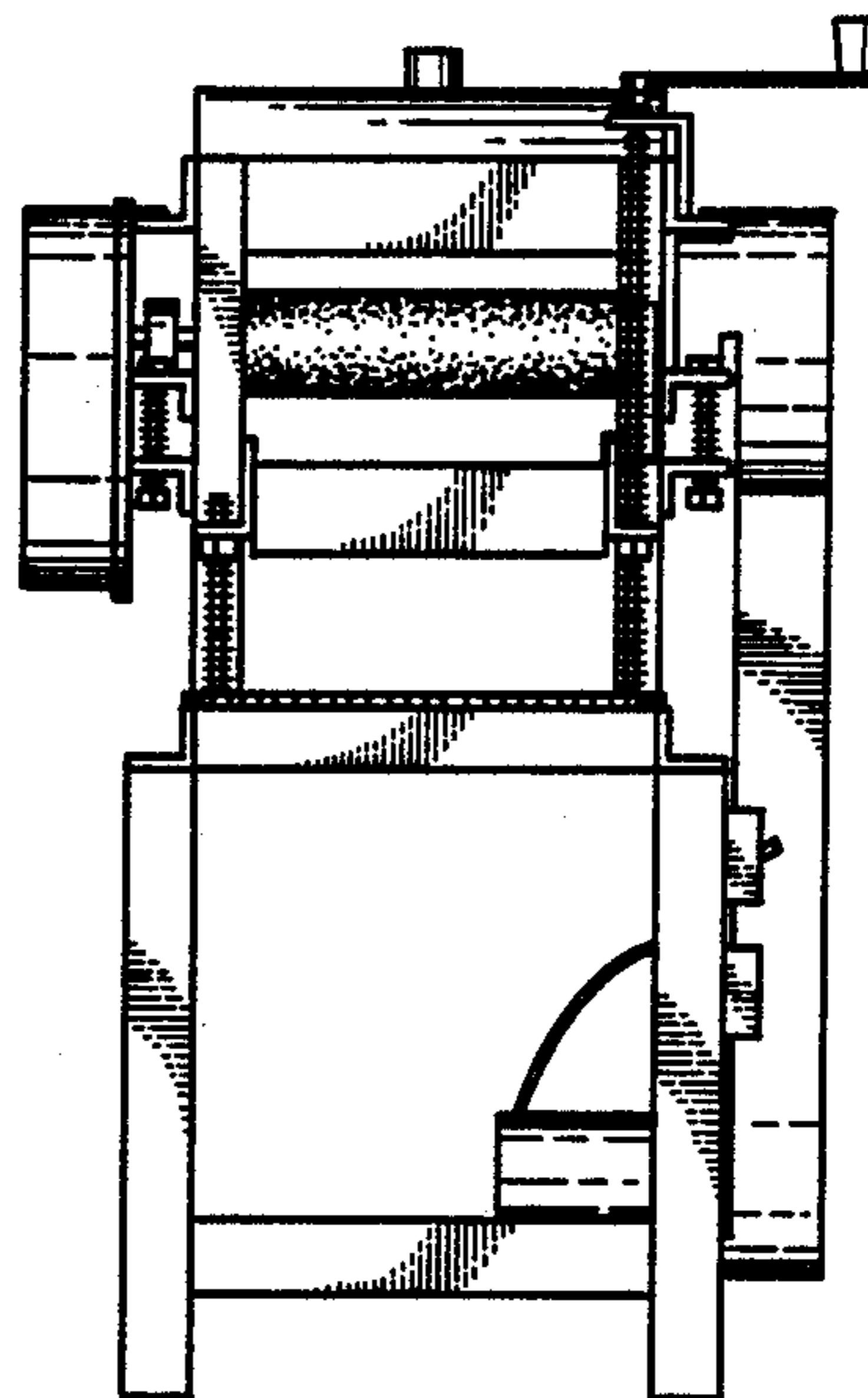
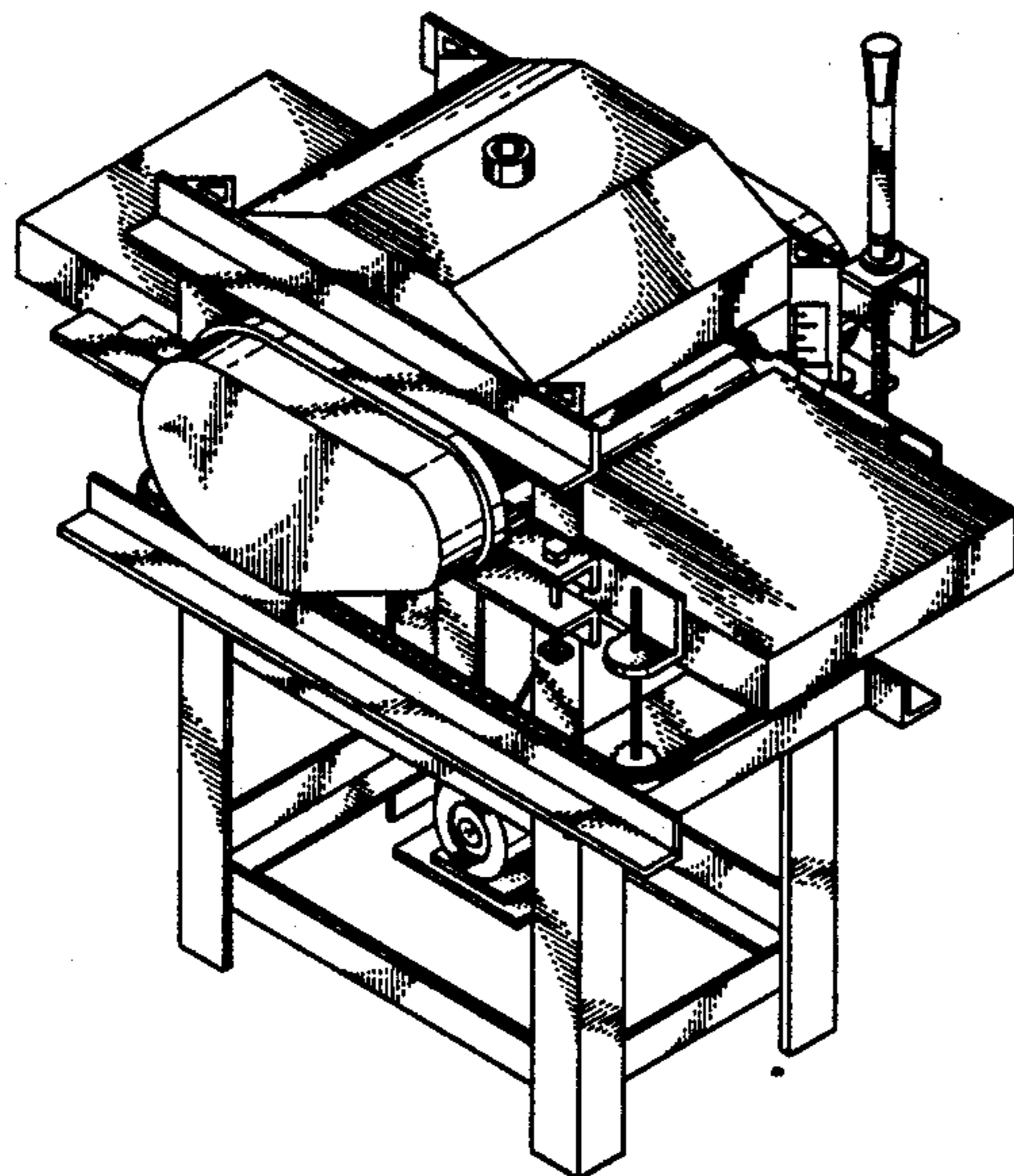
*Primary Examiner*—B. J. Bullock  
*Attorney, Agent, or Firm*—Terry M. Gernstein

[57] **CLAIM**

The ornamental design for a two drum sander, as shown and described.

**DESCRIPTION**

FIG. 1 is a front isometric view of a two drum sander showing my new design;  
FIG. 2 is a rear view;  
FIG. 3 is a top view;  
FIG. 4 is a right end view; and  
FIG. 5 is a left end view thereof.



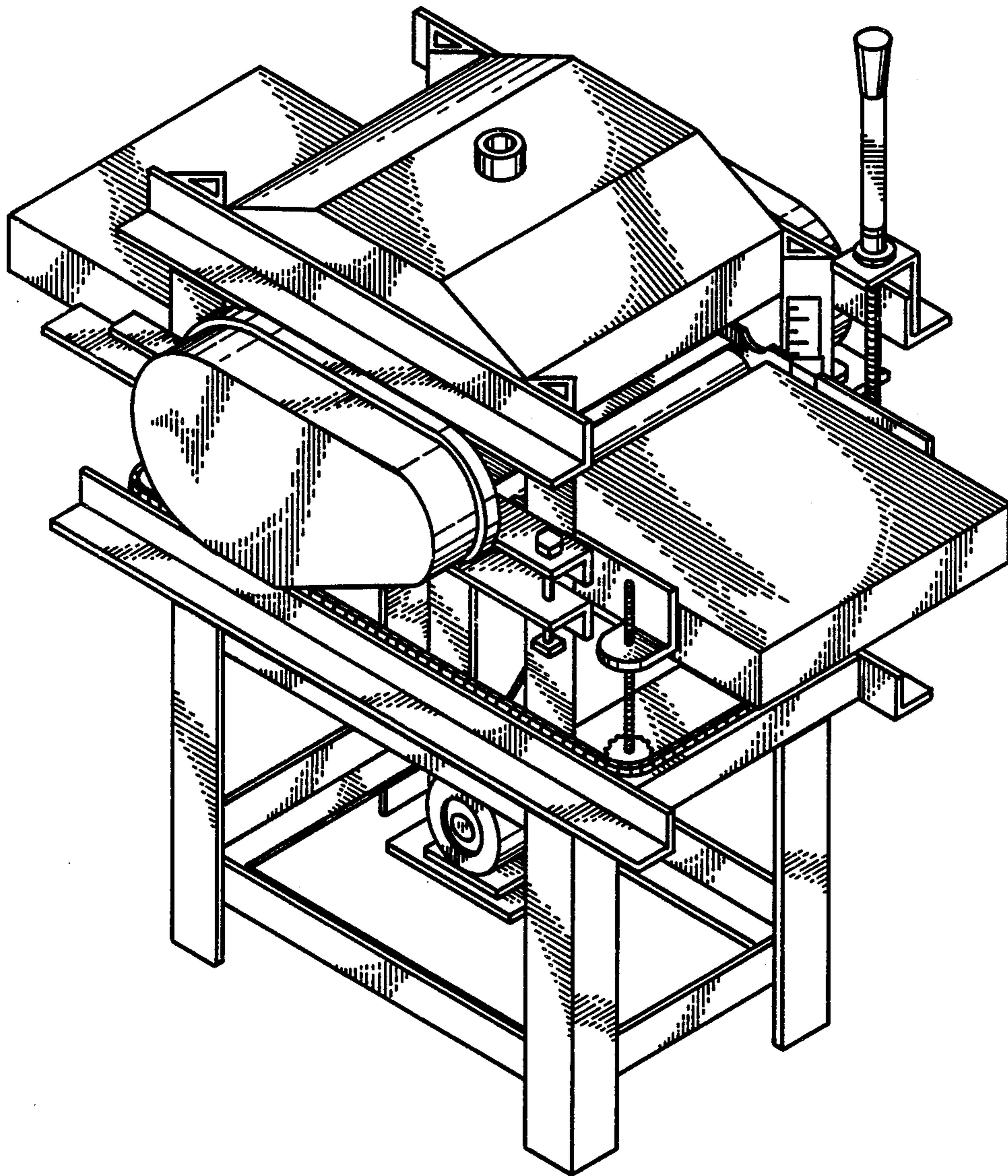


Fig. 1

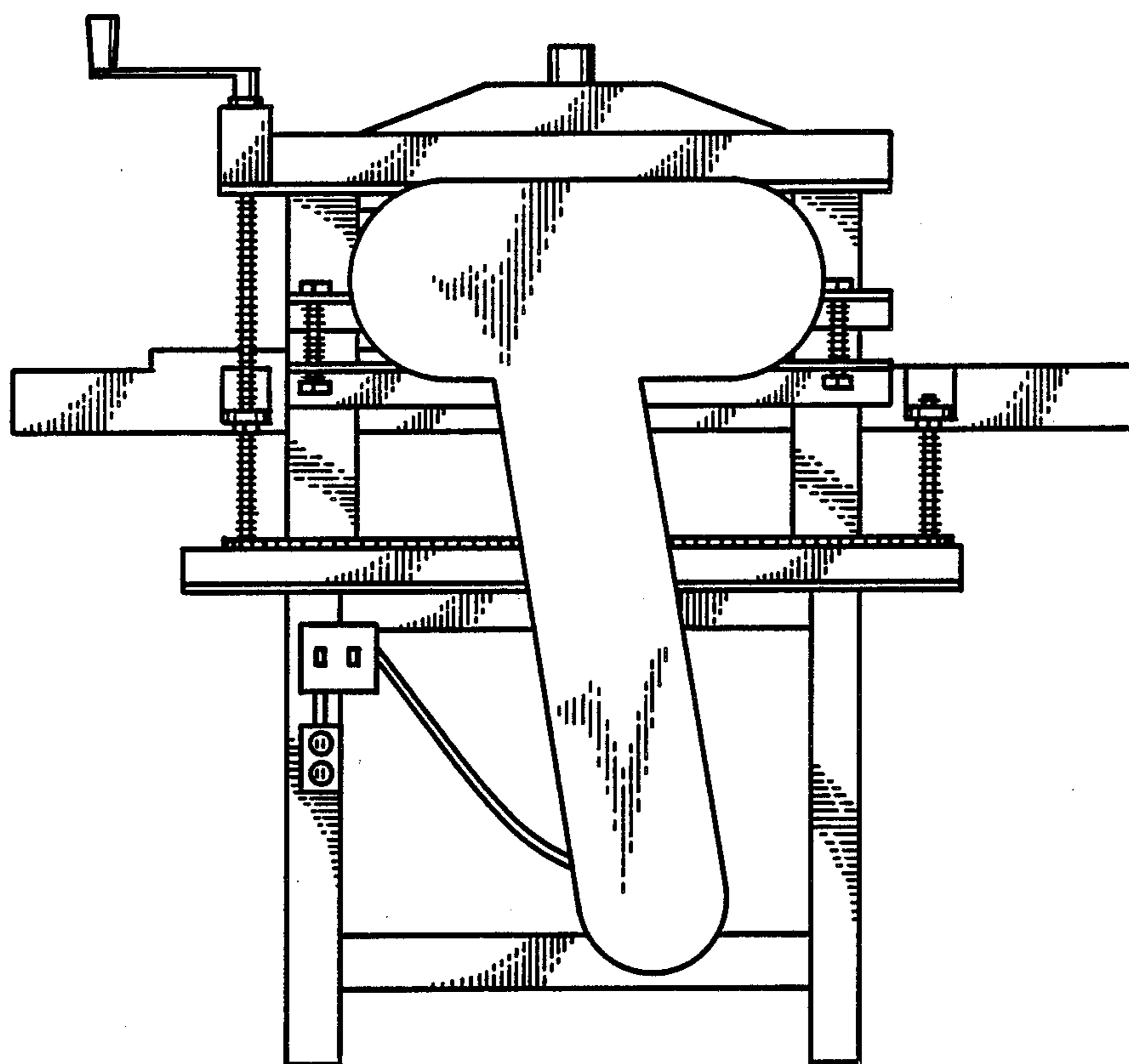
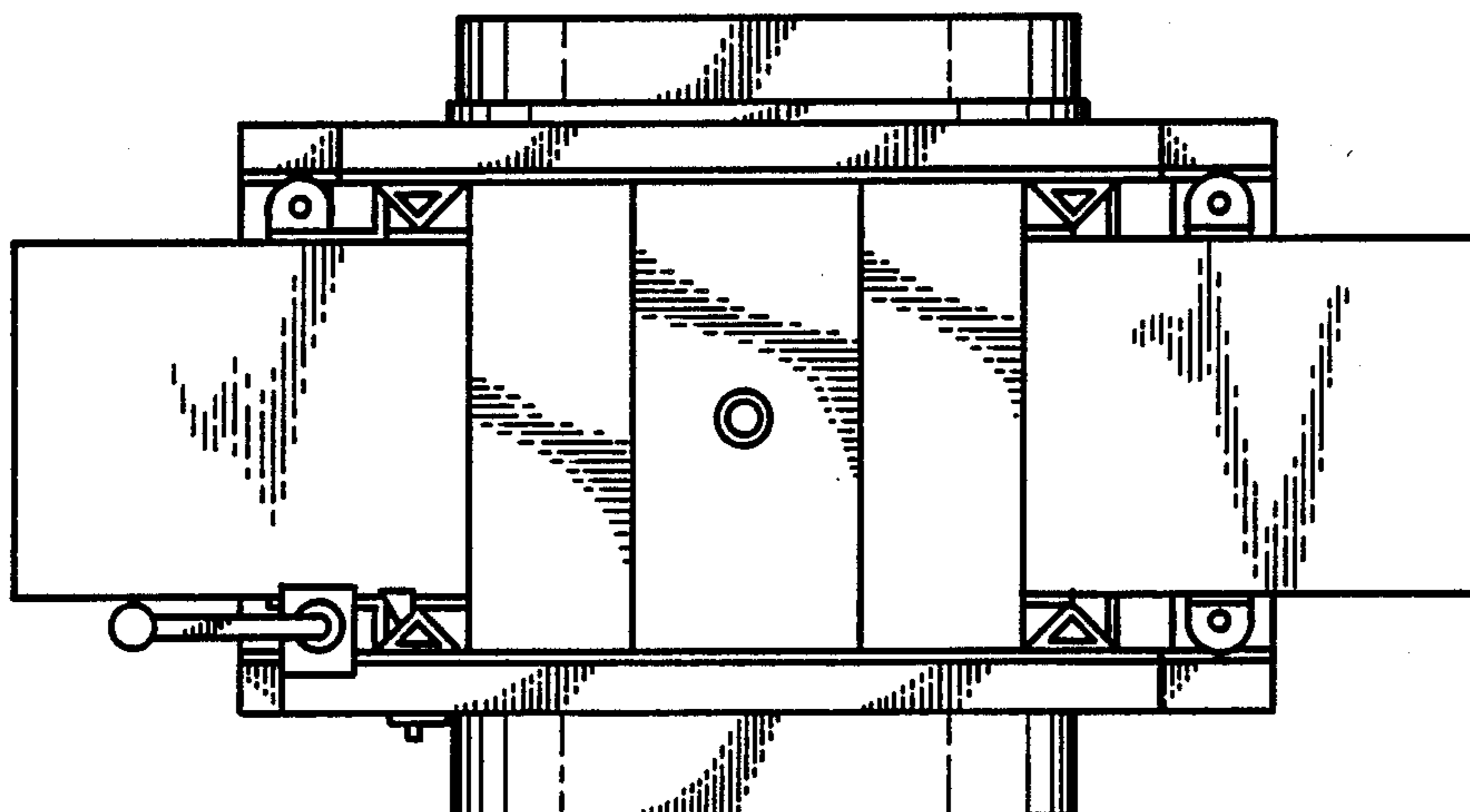


Fig. 2

Fig. 3



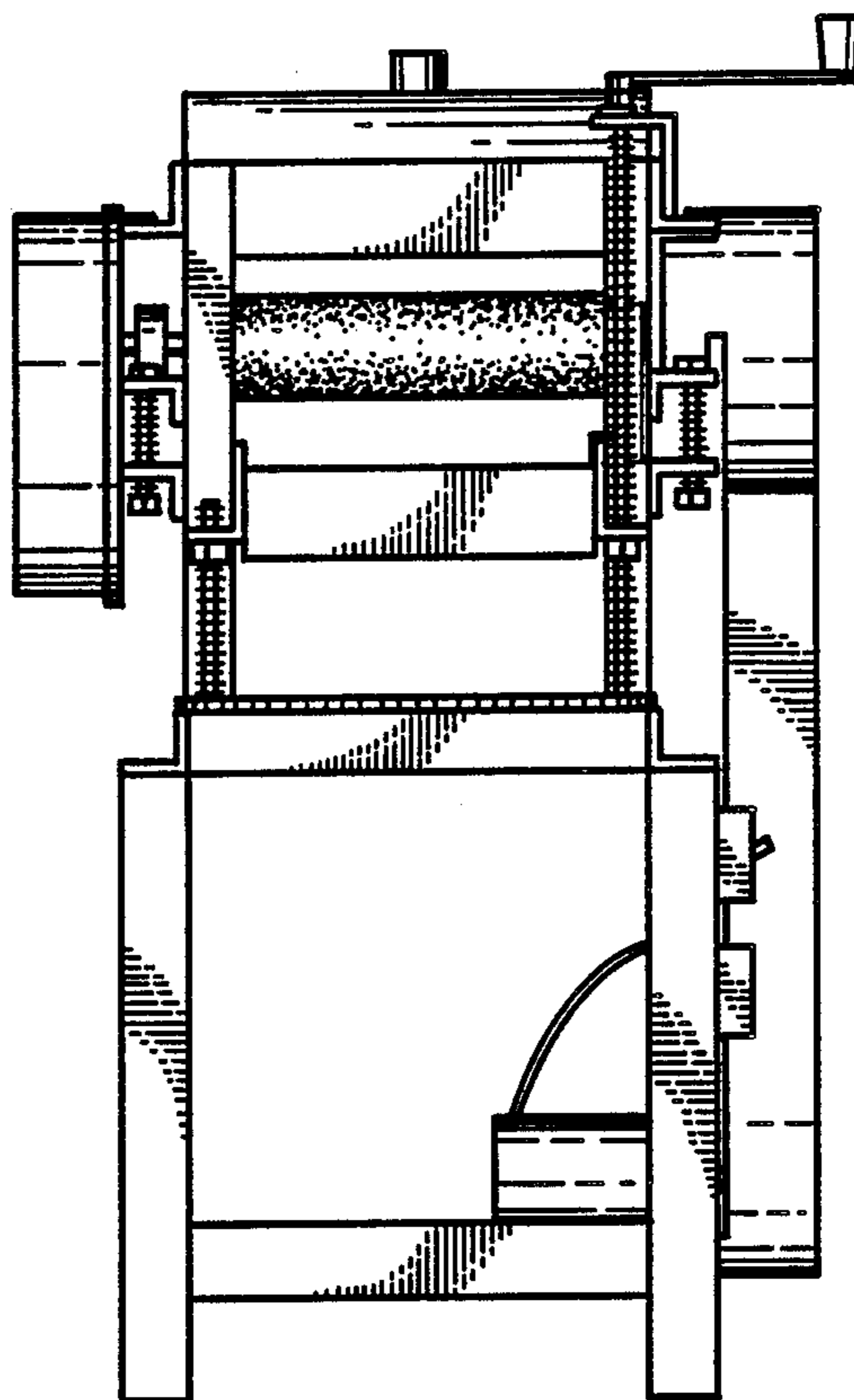


Fig. 4

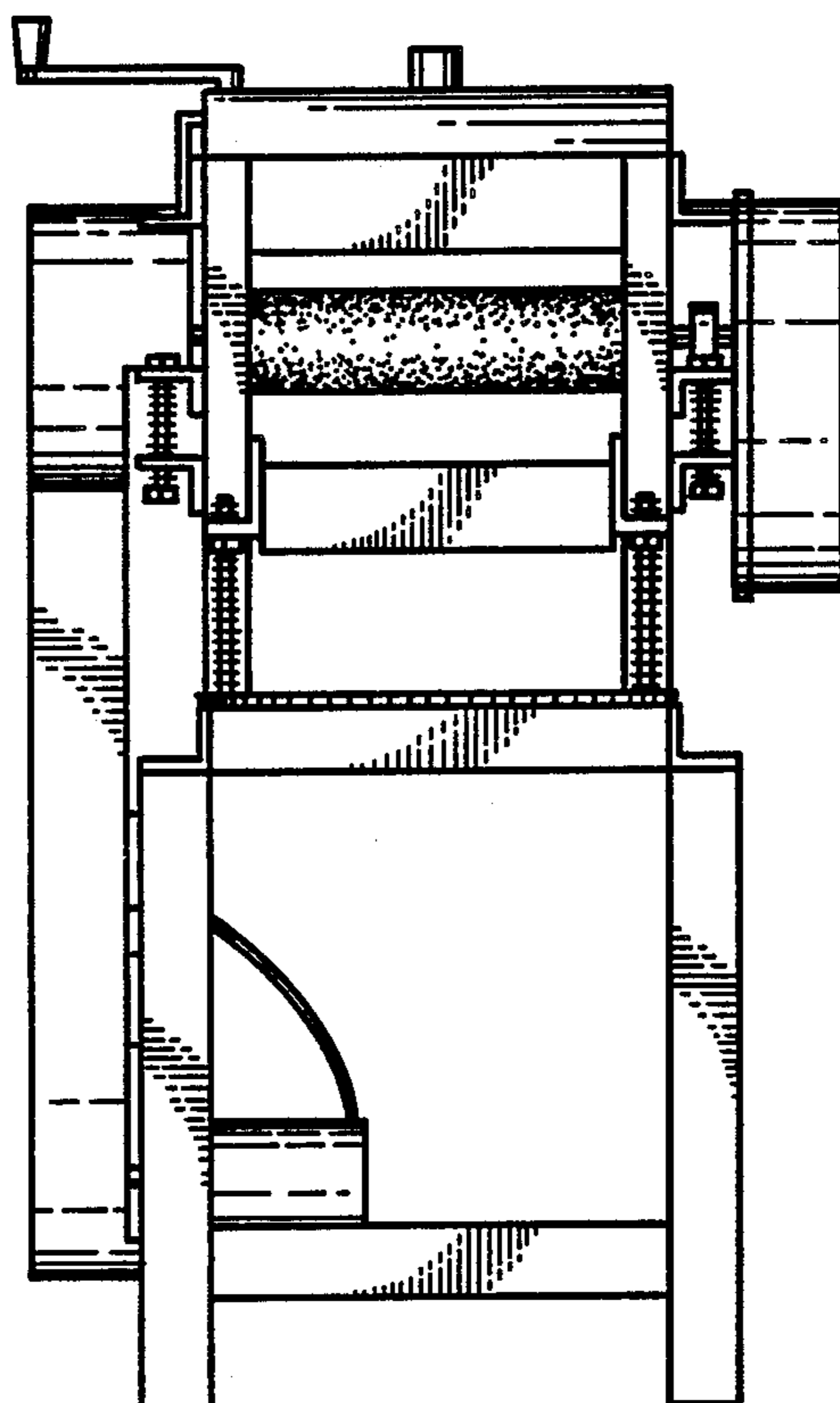


Fig. 5