

[54] ELECTRONIC COMPUTER

[75] Inventor: Yoshihiko Sugano, Tokyo, Japan

[73] Assignee: Kabushiki Kaisha Toshiba, Kawasaki, Japan

[**] Term: 14 Years

[21] Appl. No.: 879,796

[22] Filed: Jun. 27, 1986

[30] Foreign Application Priority Data

Dec. 27, 1985 [JP] Japan 60-53777

[52] U.S. Cl. D14/106

[58] Field of Search D14/100, 101, 105, 106, D14/107, 114; D18/7; 340/365 R, 700, 711; 364/900, 708, 709

[56] References Cited

U.S. PATENT DOCUMENTS

- D. 280,511 9/1985 Moggridge et al. D14/106
- D. 282,843 3/1986 Kurihara D14/100
- D. 283,511 4/1986 Dunn D14/106
- D. 290,256 6/1987 Sapper D14/106
- D. 293,678 1/1988 Sawatani et al. D14/106
- D. 294,831 3/1988 Hara et al. D14/106
- 4,739,316 4/1988 Yamaguchi et al. 340/365 R X

OTHER PUBLICATIONS

Part of the advertisement of Data General Corporation in "Daily Industrial News", published Sep. 28, 1984. 'Gridcase Computers' in the catalogue of Grid Systems Corporation received by the assignee company on or before Sep. 13, 1985. "Portable Computer" Nov. 1984, p. 40.

Primary Examiner—Susan J. Lucas
Attorney, Agent, or Firm—Oblon, Fisher, Spivak, McClelland & Maier

[57] CLAIM

The ornamental design for an electronic computer, as shown and described.

DESCRIPTION

FIG. 1 is a right front perspective view of an electronic computer showing my new design; FIG. 2 is a front elevational view thereof; FIG. 3 is a top plan view thereof; FIG. 4 is a right side elevational view thereof; FIG. 5 is a left side elevational view thereof; FIG. 6 is a rear elevational view thereof; FIG. 7 is a bottom plan view thereof; FIG. 8 is a front elevational view thereof, with the stand put in and the cover shut; FIG. 9 is a top plan view thereof, with the cover shut; and FIG. 10 is a right side elevational view thereof, with the stand put in and the cover shut.

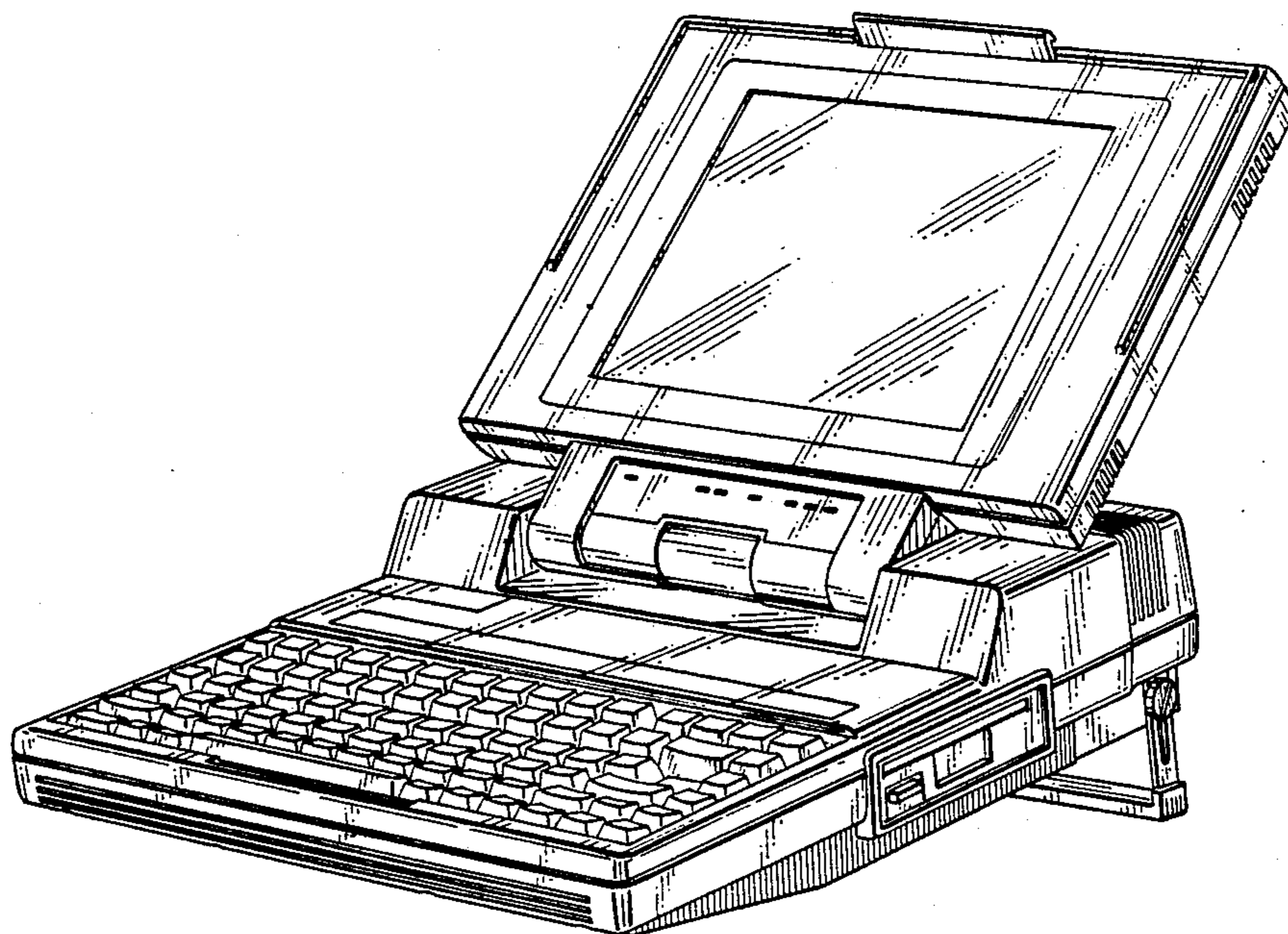


FIG. 1

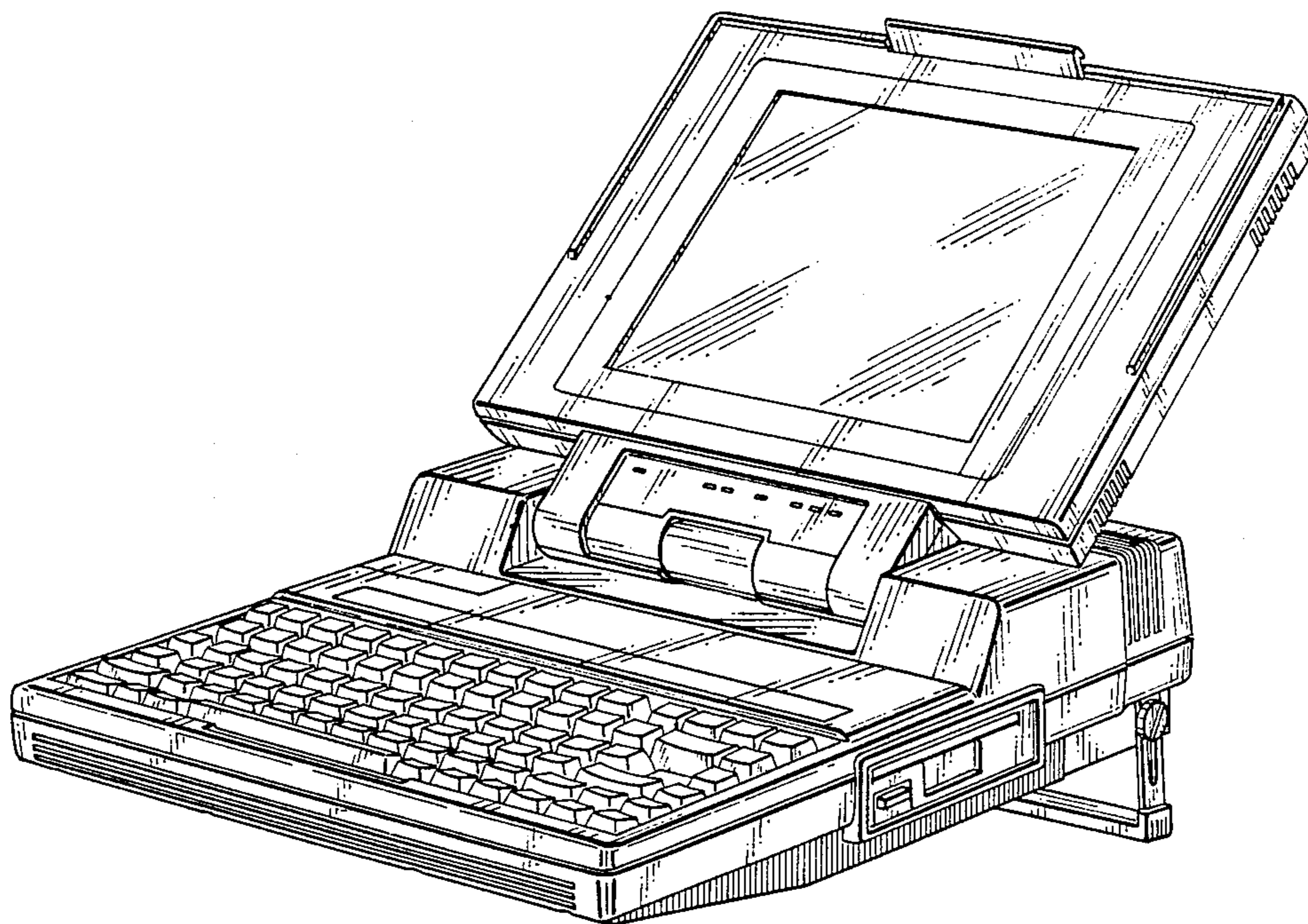


FIG. 2

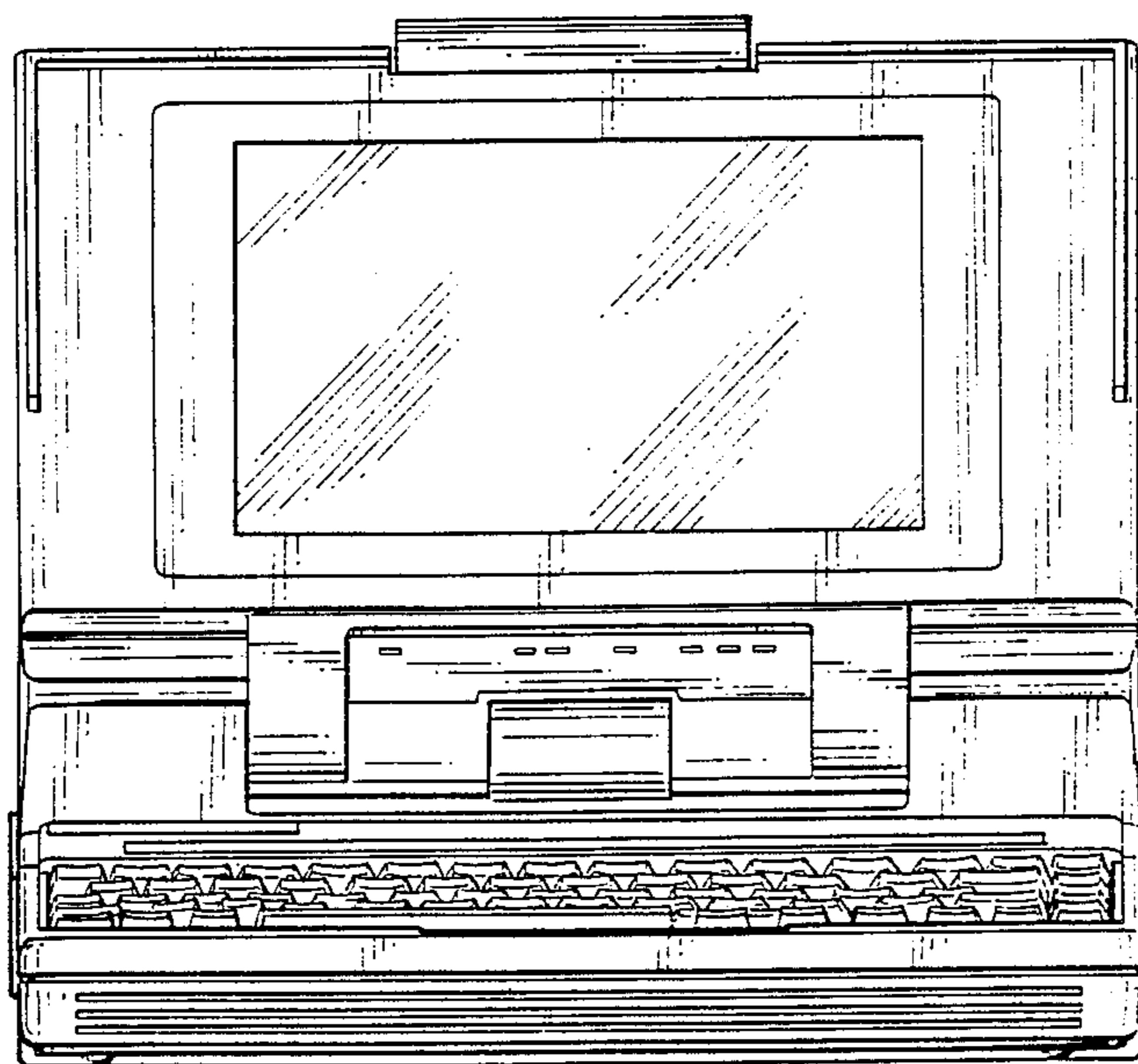


FIG. 3

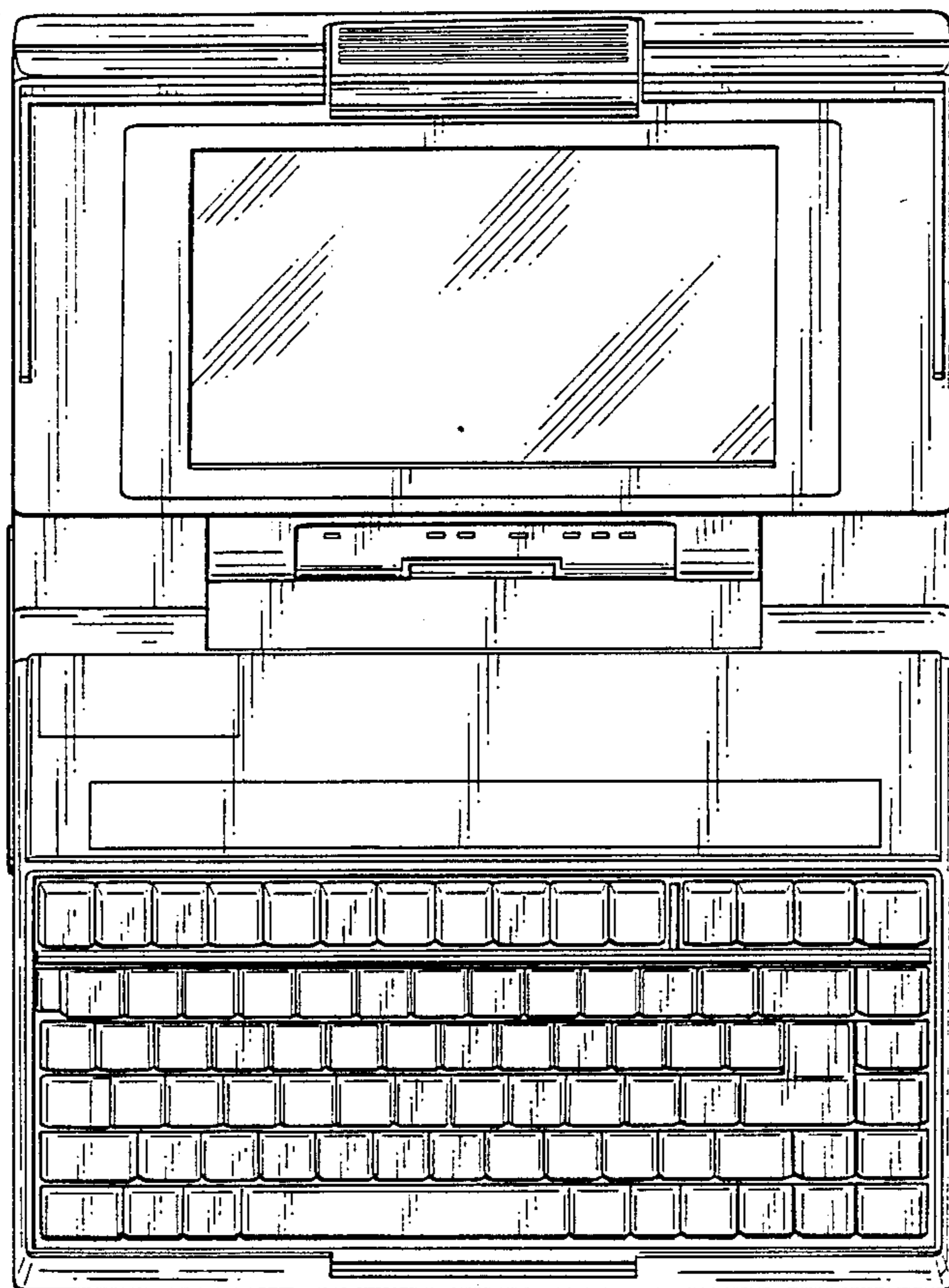


FIG. 4

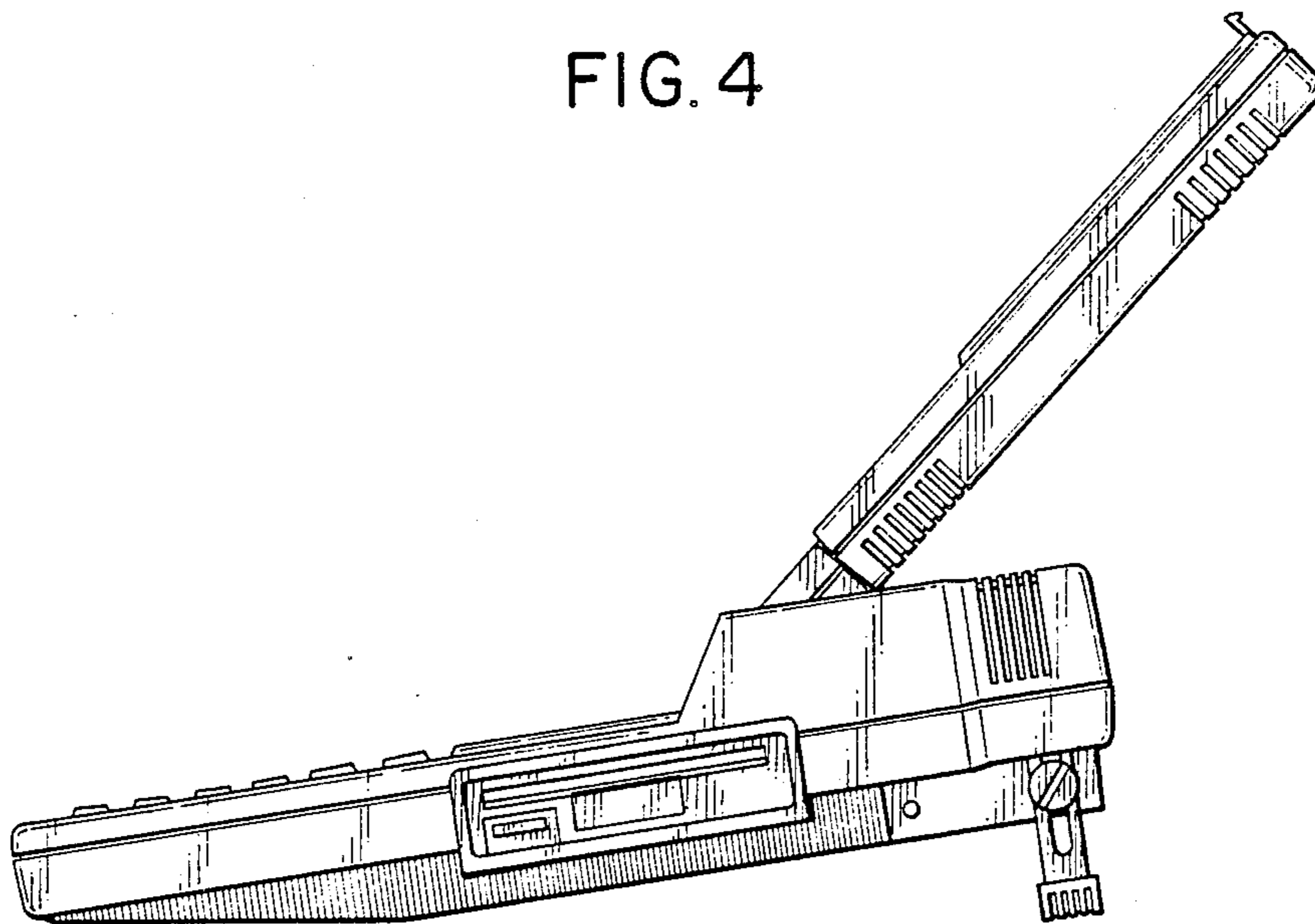


FIG. 5

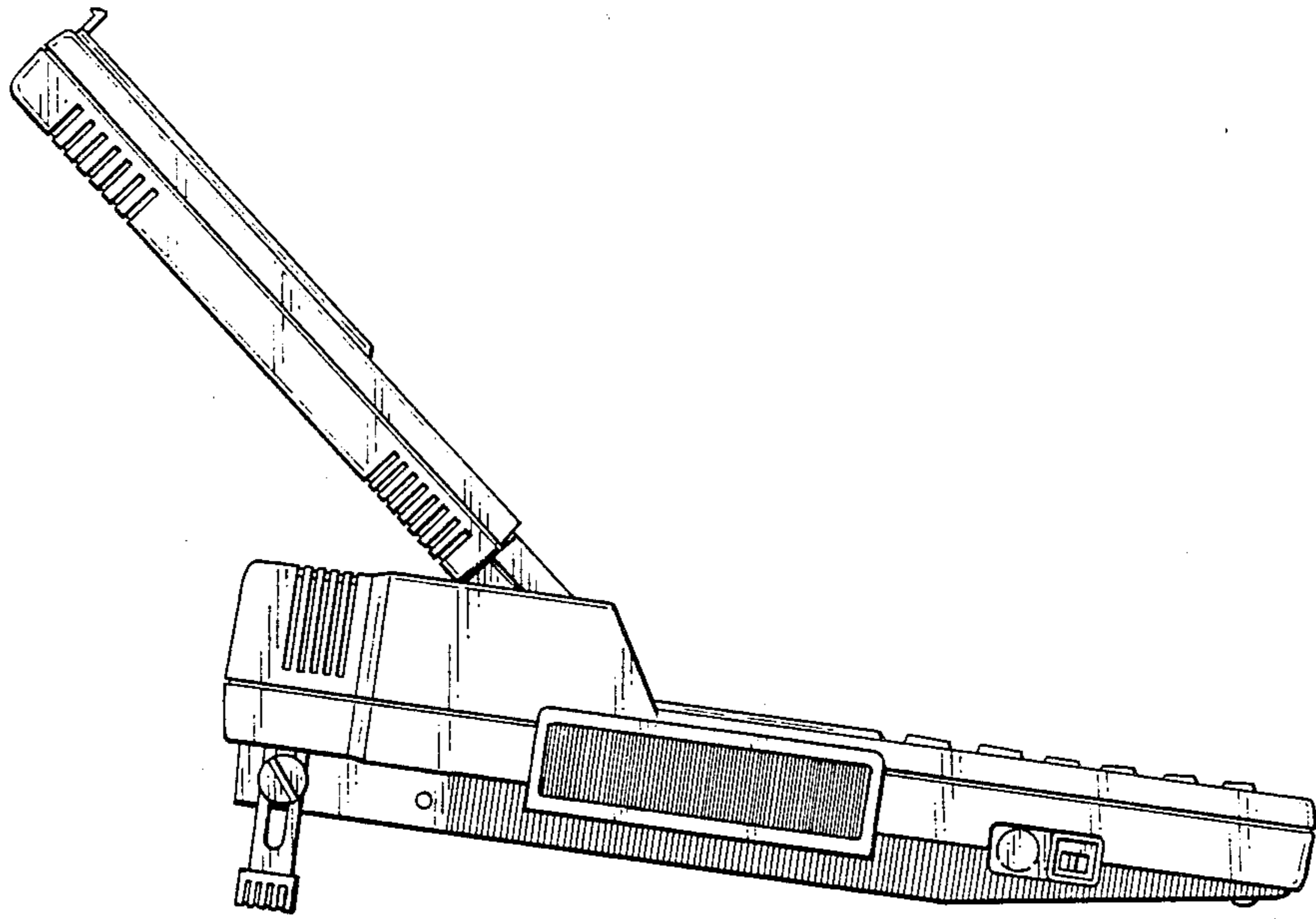


FIG. 6

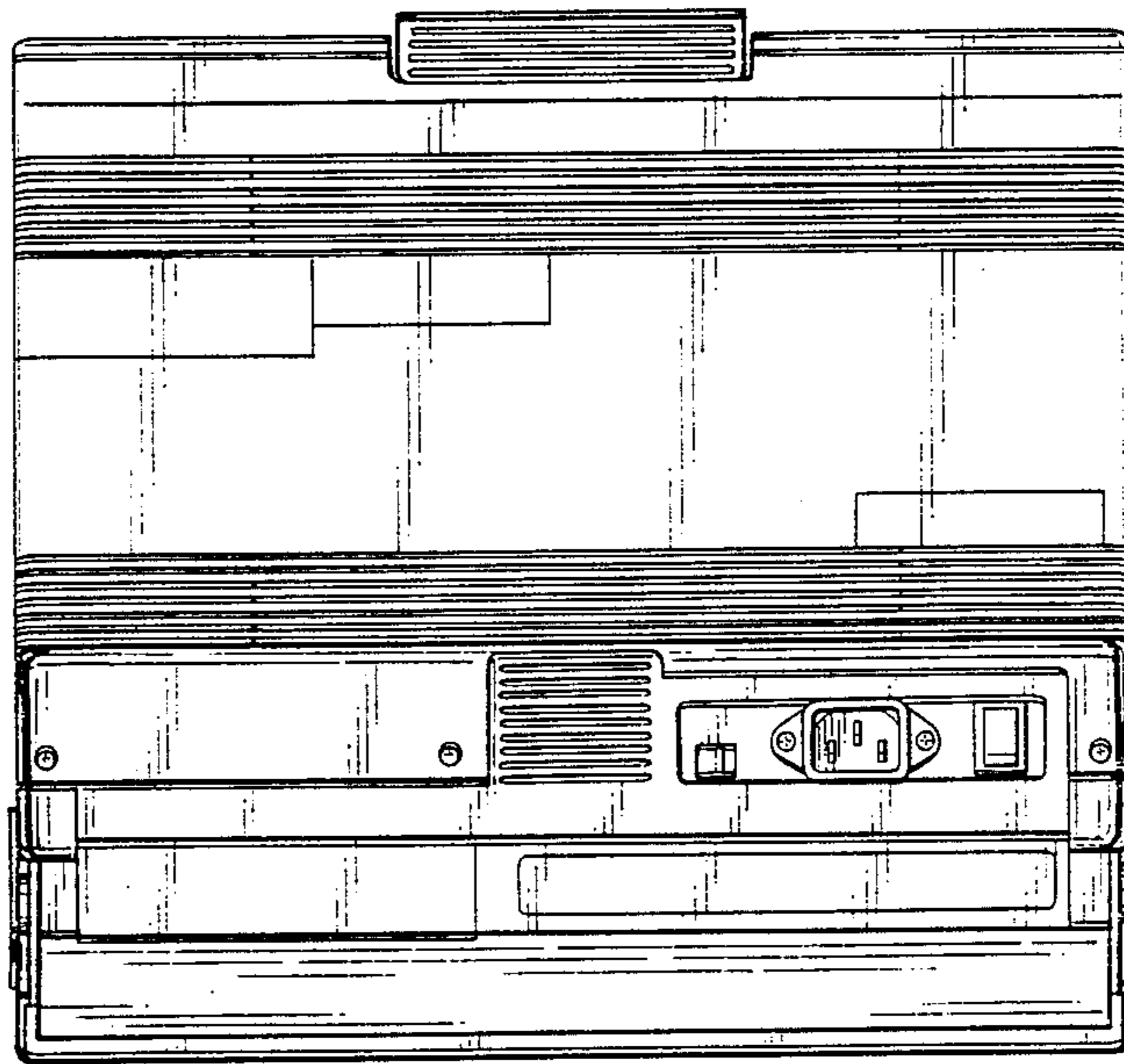


FIG. 7

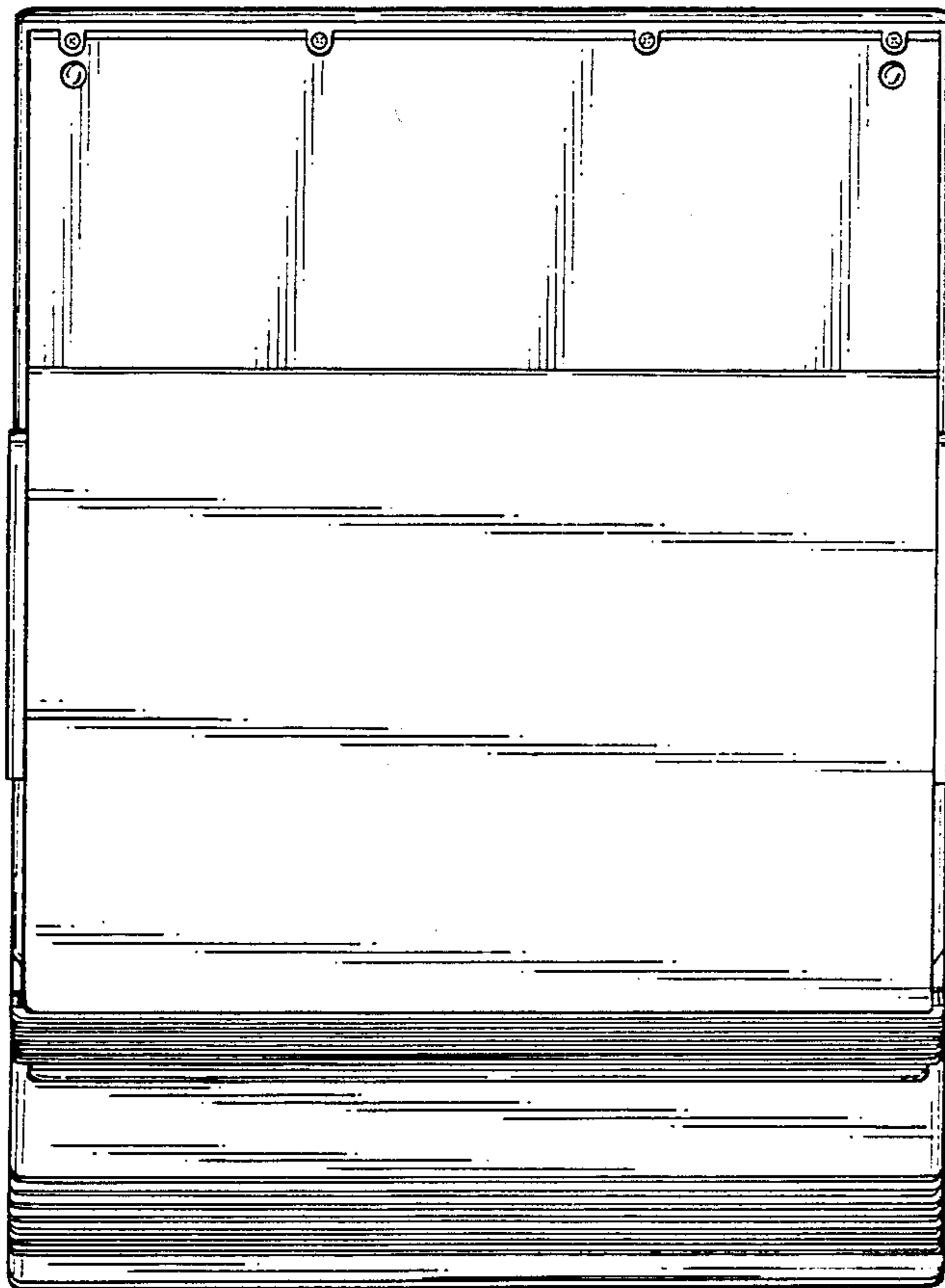


FIG. 8

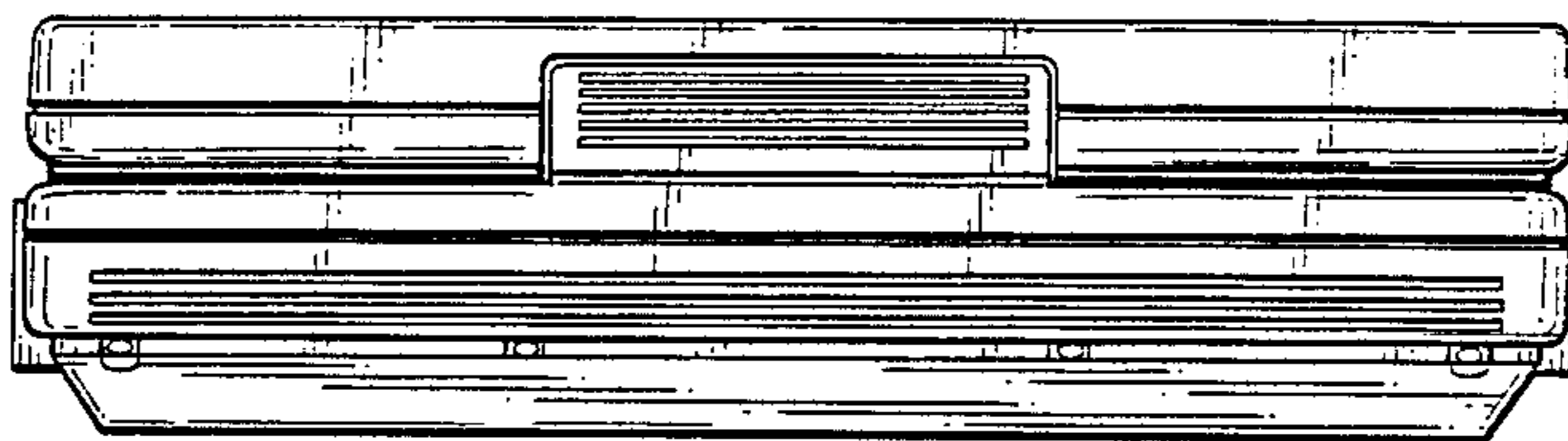


FIG. 9

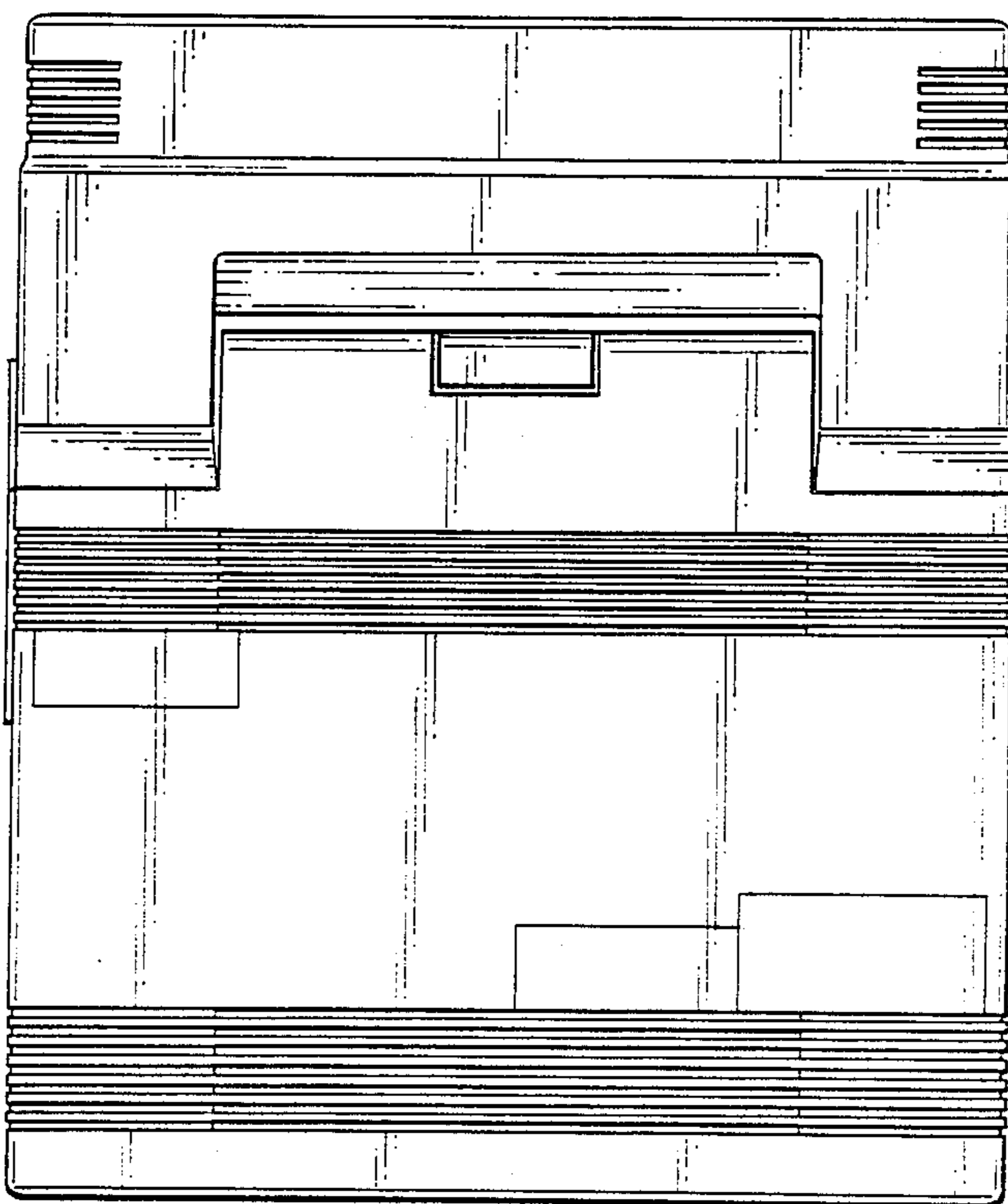


FIG. 10

