

[54] VOICE AND DATA COMMUNICATION TERMINAL

[75] Inventor: Walter A. Menn, Stamford, Conn.

[73] Assignee: Alcatel USA, Corp., New York, N.Y.

[**] Term: 14 Years

[21] Appl. No.: 764,272

[22] Filed: Aug. 9, 1985

[52] U.S. Cl. D14/101; D14/52; D14/62

[58] Field of Search D14/100-107, D14/113, 114, 77, 80-84, 52, 53, 57, 58, 62; 358/254, 248, 249; 340/700, 711, 720, 365 R; 364/708; 379/96, 428, 434, 440

[56] References Cited

U.S. PATENT DOCUMENTS

D. 247,563	3/1978	Jinbo et al.	D14/106
D. 275,954	10/1984	Gibson	D14/101
D. 279,106	6/1985	Sawada et al.	D14/100 X
D. 290,700	7/1987	Lindahl	D14/58 X
3,940,758	2/1976	Margolin	340/365 R X
4,533,791	8/1985	Read et al.	D14/53 X
4,589,659	5/1986	Yokoi et al.	364/708 X
4,633,041	12/1986	Boivie et al.	D14/53 X

Primary Examiner—Susan J. Lucas
Attorney, Agent, or Firm—Peter C. Van Der Sluys

[57] CLAIM

The ornamental design for the voice and data communication terminal, as shown and described.

DESCRIPTION

FIG. 1 is a top, front perspective view of the voice and data communication terminal showing my new design,

the handset being lifted from the terminal and the display being lowered;

FIG. 2 is a top, front perspective view thereof, the display being raised and the keyboard being extended;

FIG. 3 is a top, front perspective view thereof similar to FIG. 2, but with the extended keyboard unfolded;

FIG. 4 is a front elevational view on an enlarged scale, the keyboard being retracted and the display lowered;

FIG. 5 is a top plan view thereof on an enlarged scale;

FIG. 6 is a right side elevational view thereof on an enlarged scale;

FIG. 7 is a rear elevational view thereof on an enlarged scale;

FIG. 8 is a left side elevational view thereof on an enlarged scale;

FIG. 9 is a bottom plan view thereof on an enlarged scale;

FIG. 10 is a front elevational view thereof on an enlarged scale with the display raised and the keyboard extended;

FIG. 11 is a top plan view thereof on an enlarged scale;

FIG. 12 is a right side elevational view thereof on an enlarged scale;

FIG. 13 is a rear elevational view thereof on an enlarged scale;

FIG. 14 is a bottom plan view thereof on an enlarged scale;

FIG. 15 is a left side elevational view thereof on an enlarged scale;

FIG. 16 is a front elevational view thereof on an enlarged scale with the display raised and the extended keyboard unfolded;

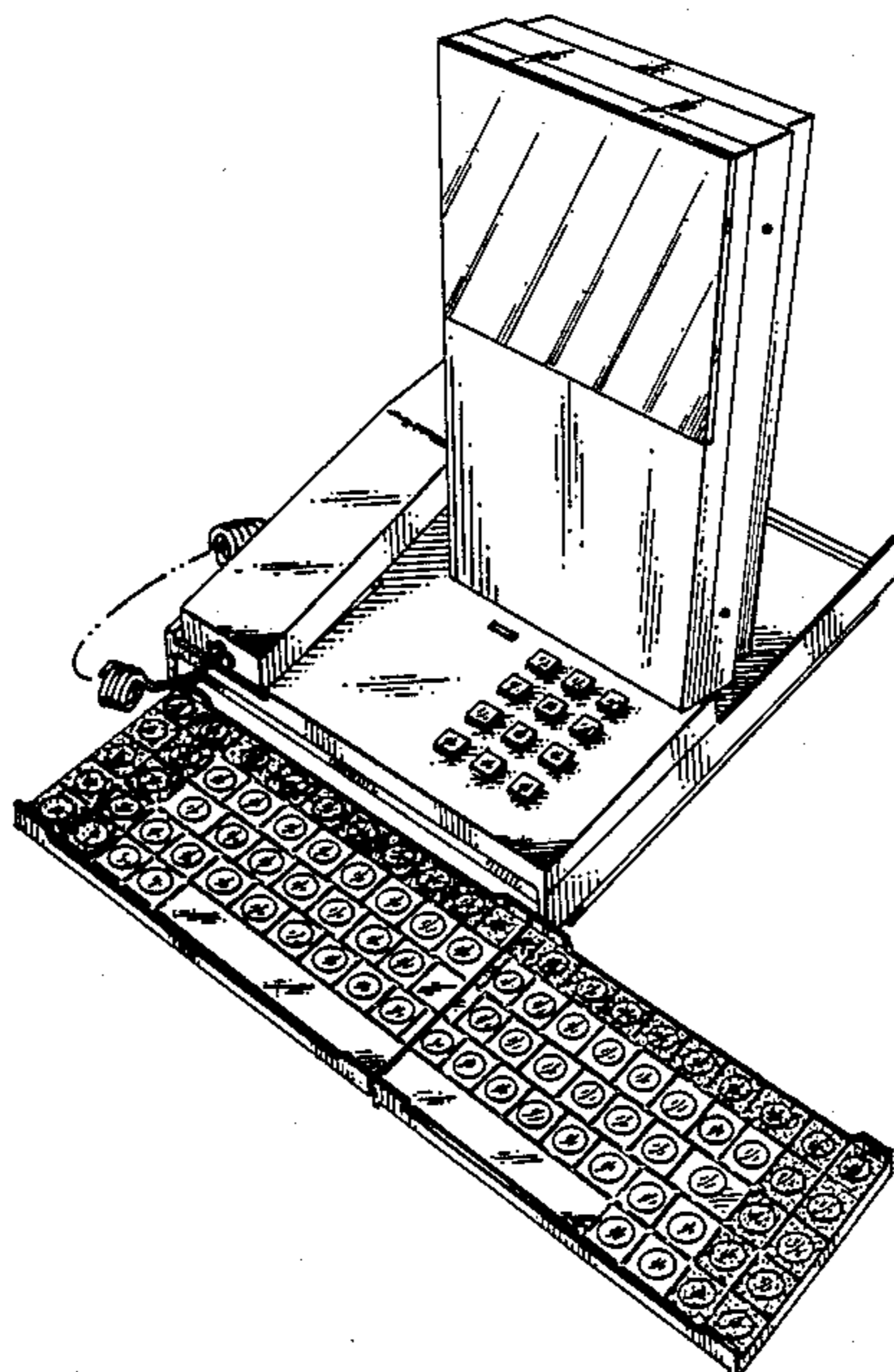
FIG. 17 is a top plan view thereof on an enlarged scale;

FIG. 18 is a right side elevational view thereof on an enlarged scale;

FIG. 19 is a rear elevational view on an enlarged scale;

FIG. 20 is a left side elevational view thereof on an enlarged scale;

FIG. 21 is a bottom plan view thereof on an enlarged scale.



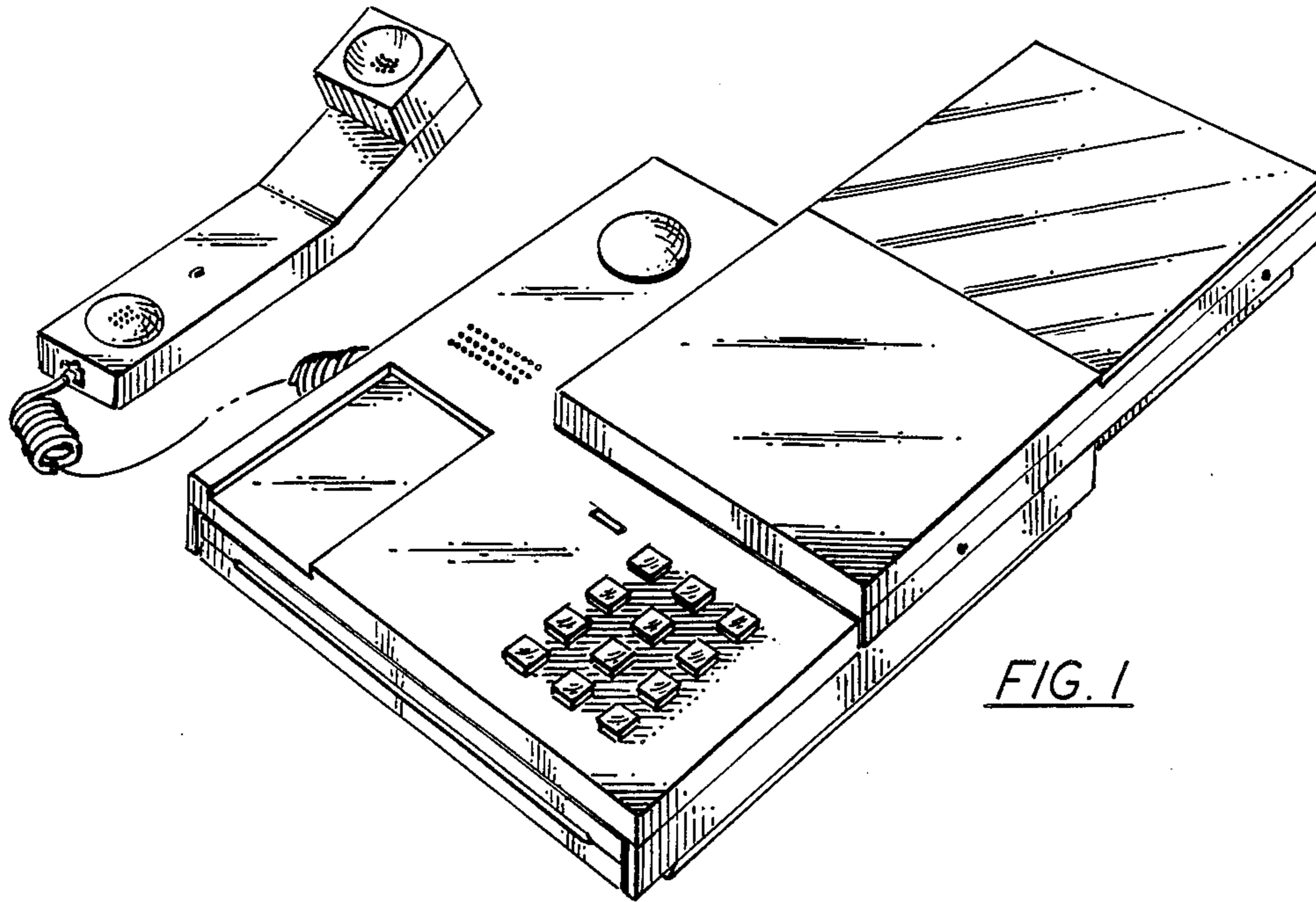


FIG. 1

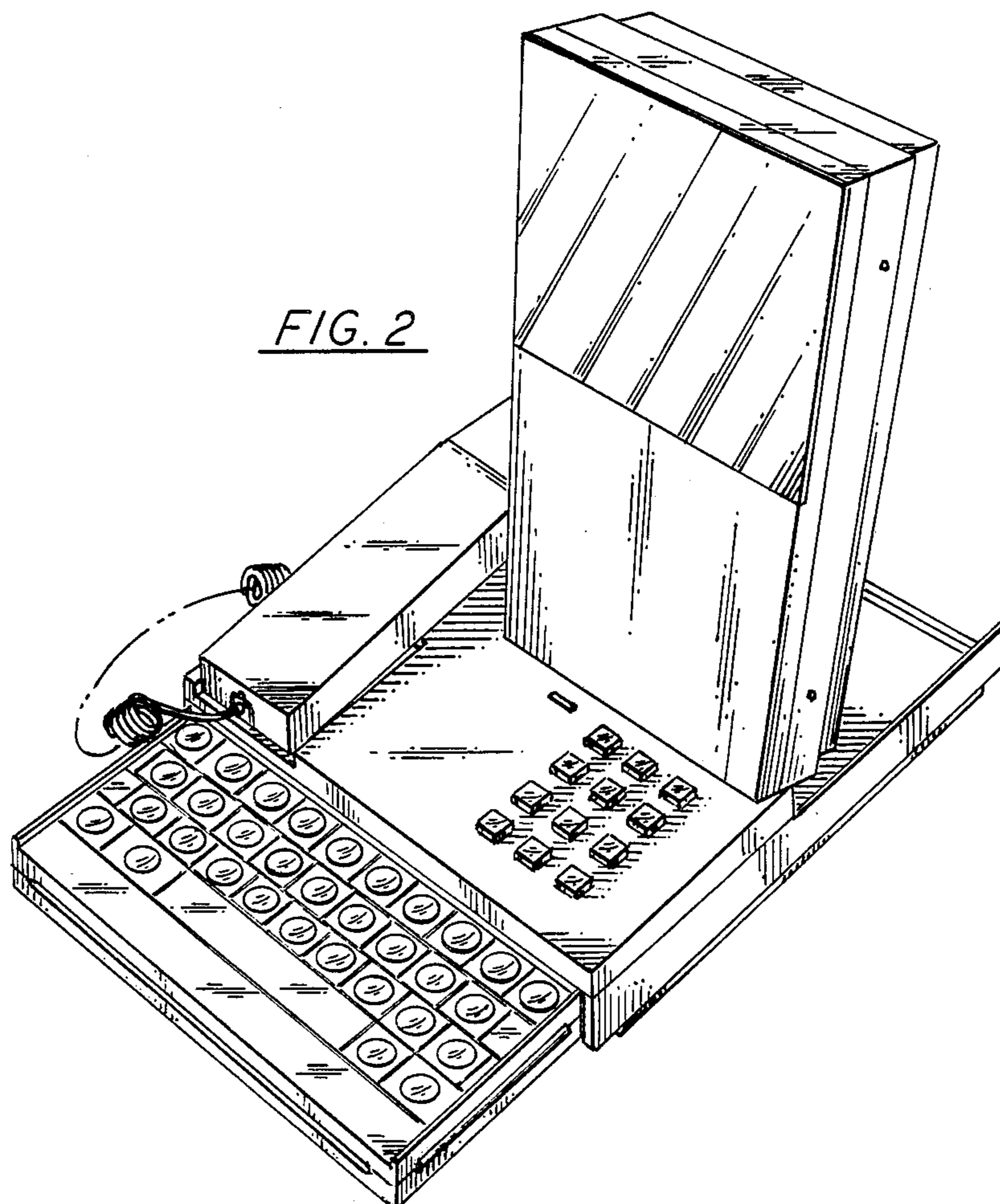


FIG. 2

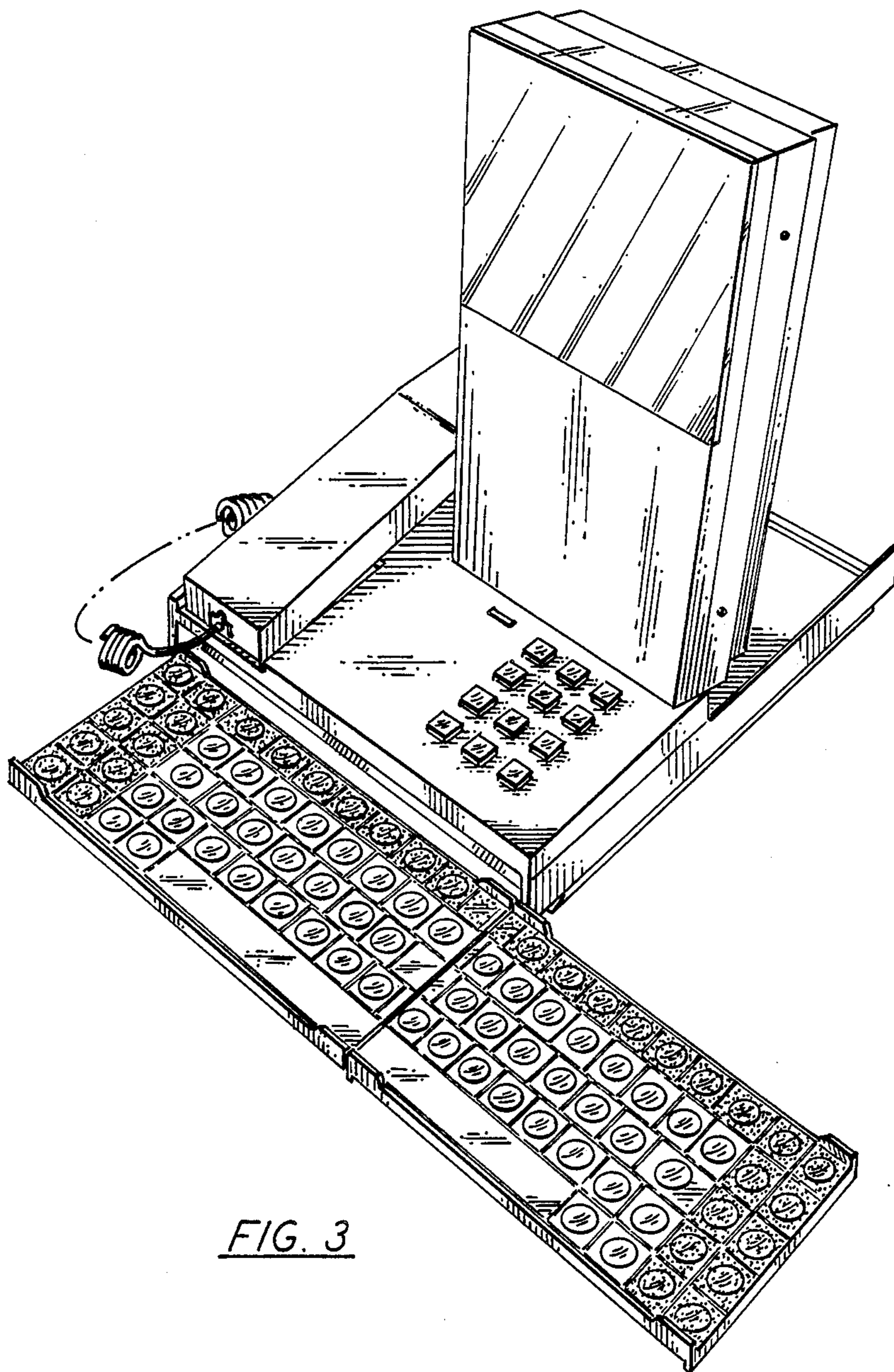


FIG. 3

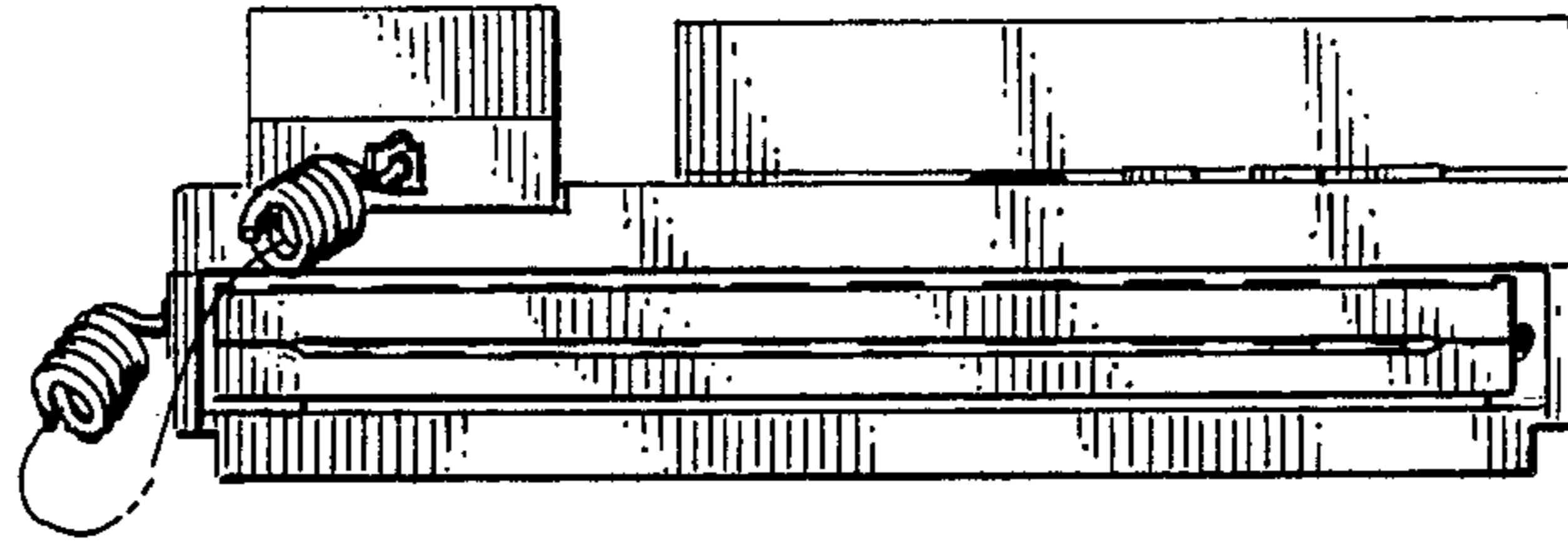


FIG. 4

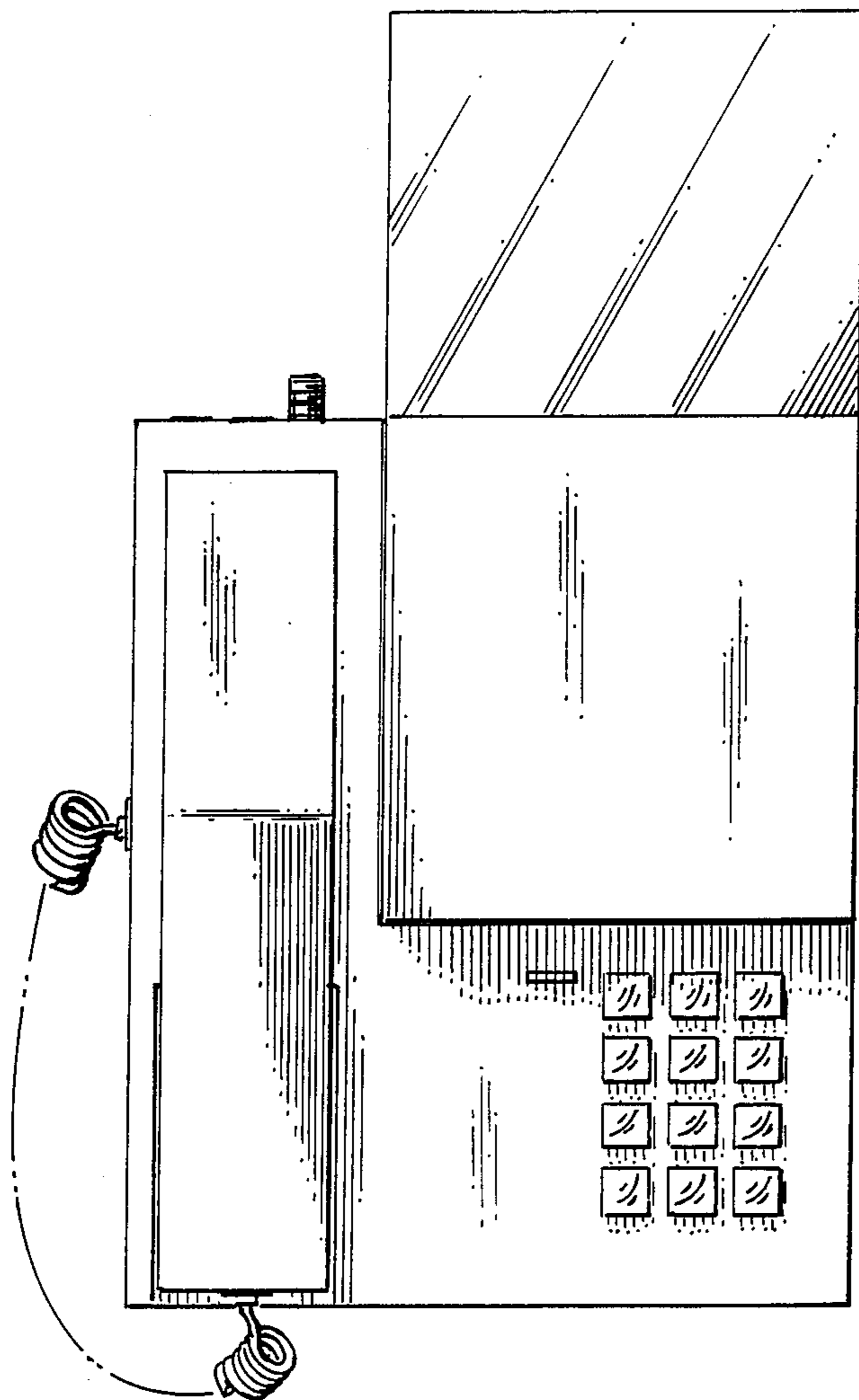


FIG. 5

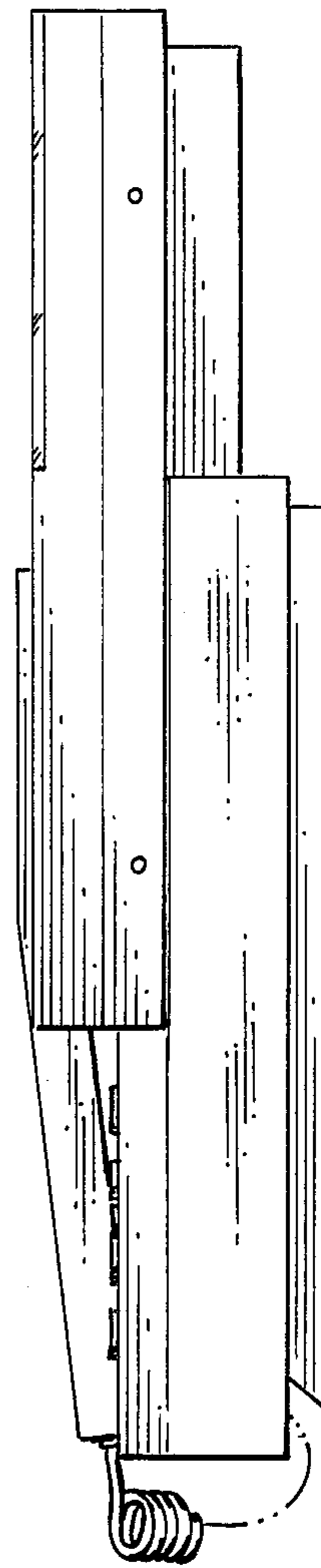


FIG. 6

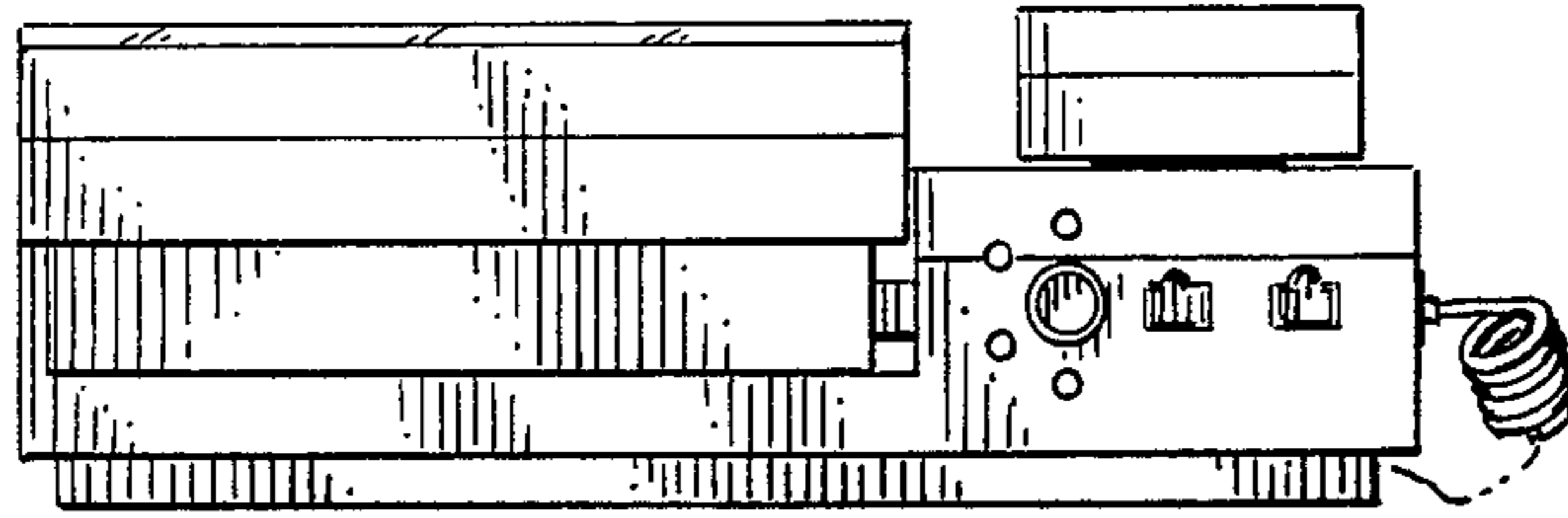


FIG. 7

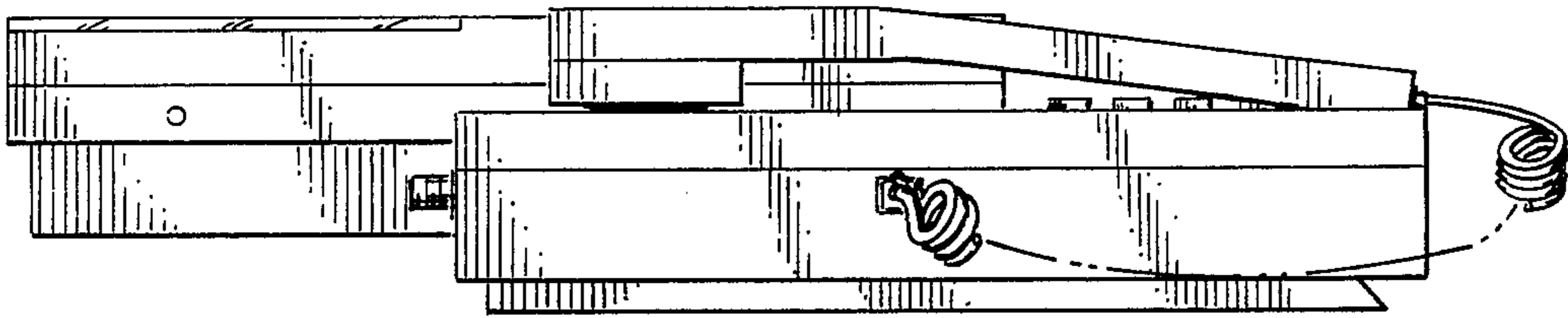


FIG. 8

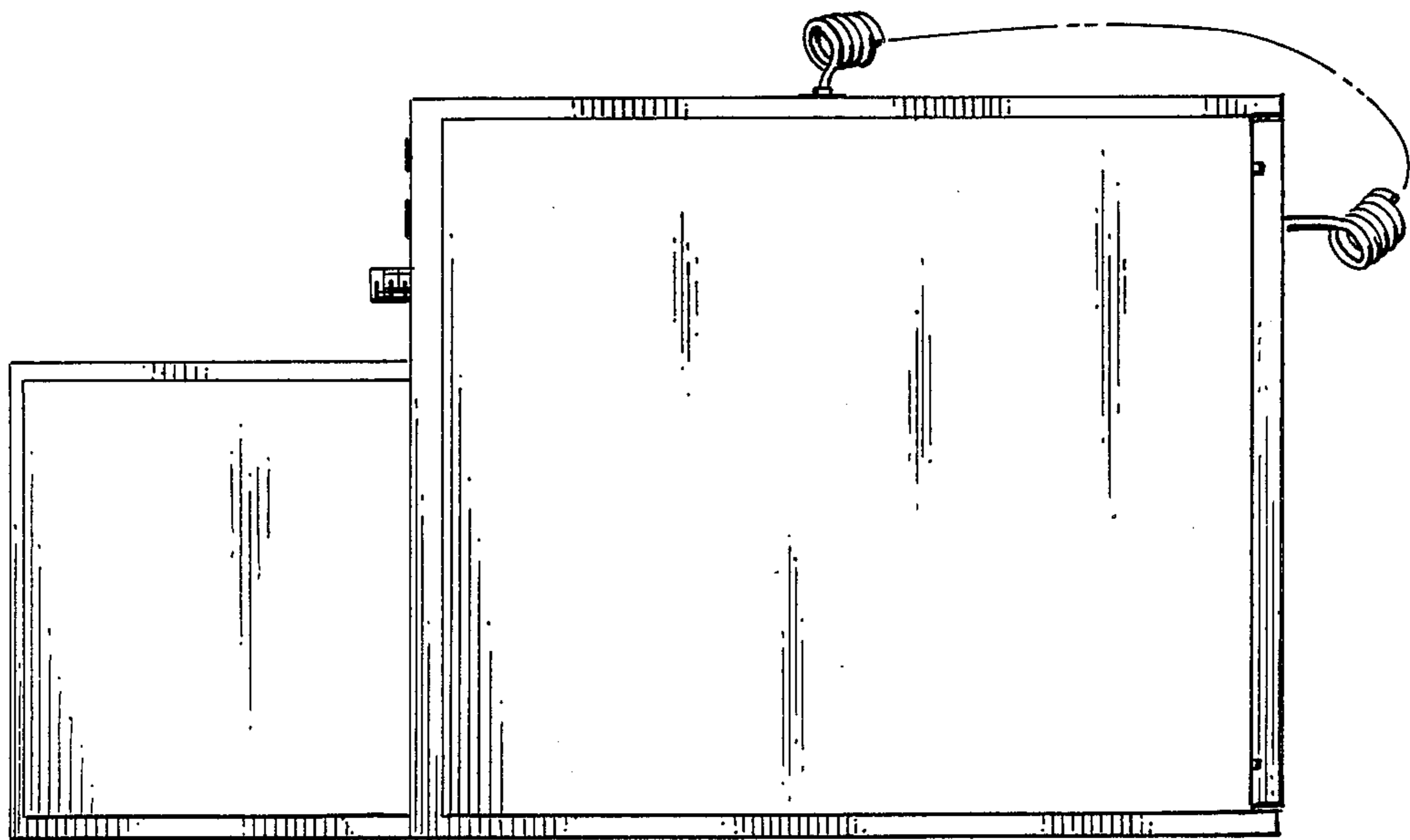


FIG. 9

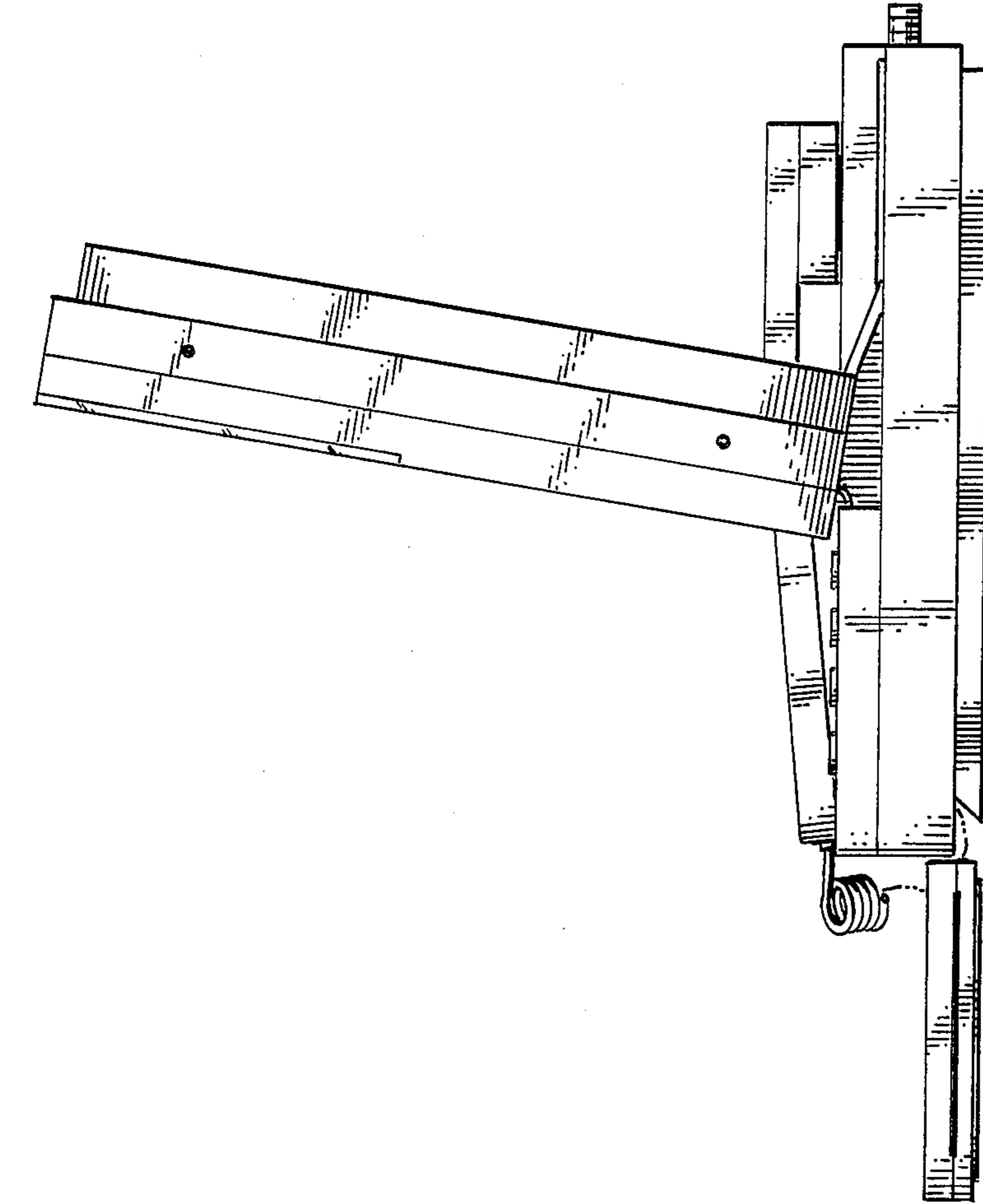


FIG. 12

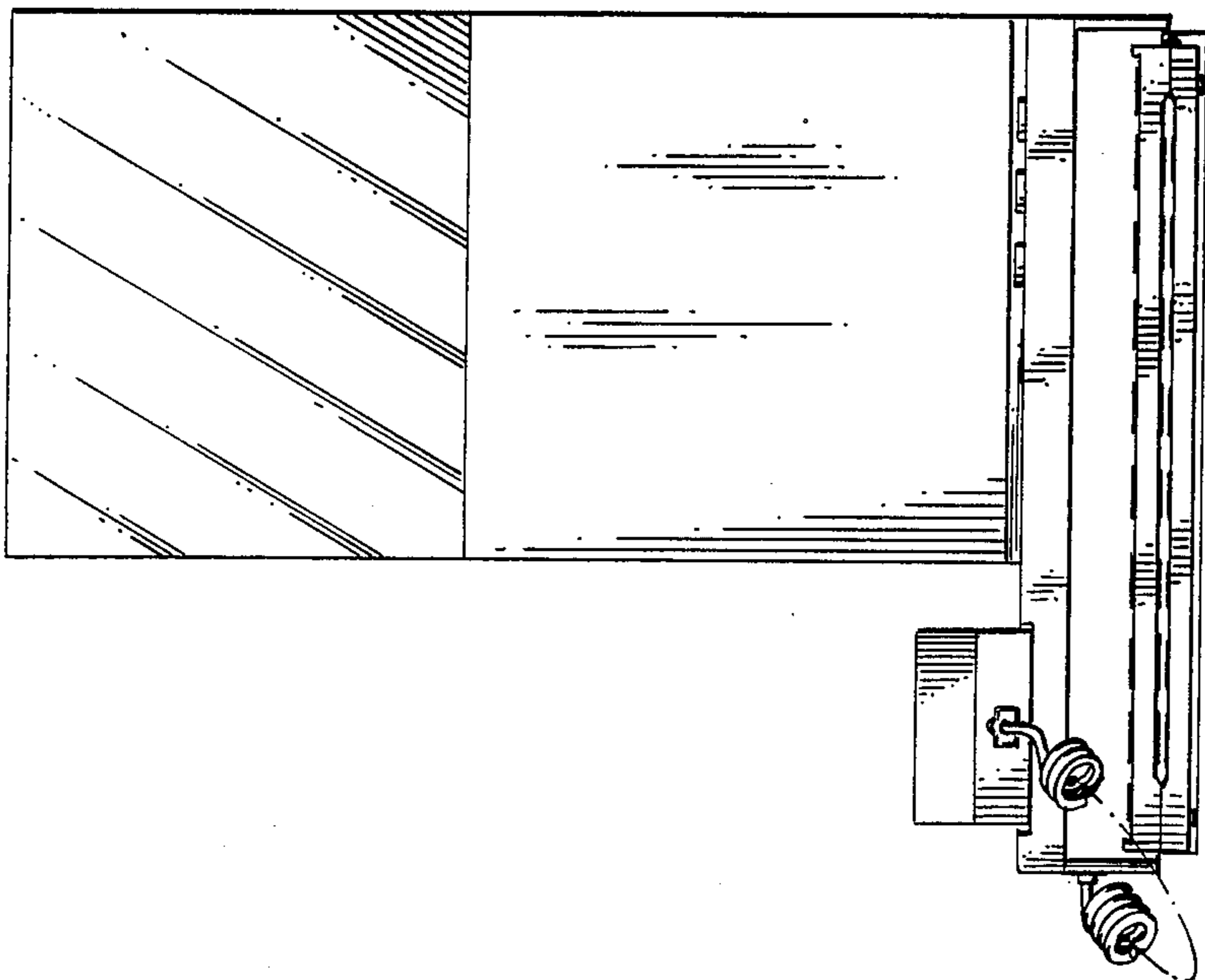


FIG. 10

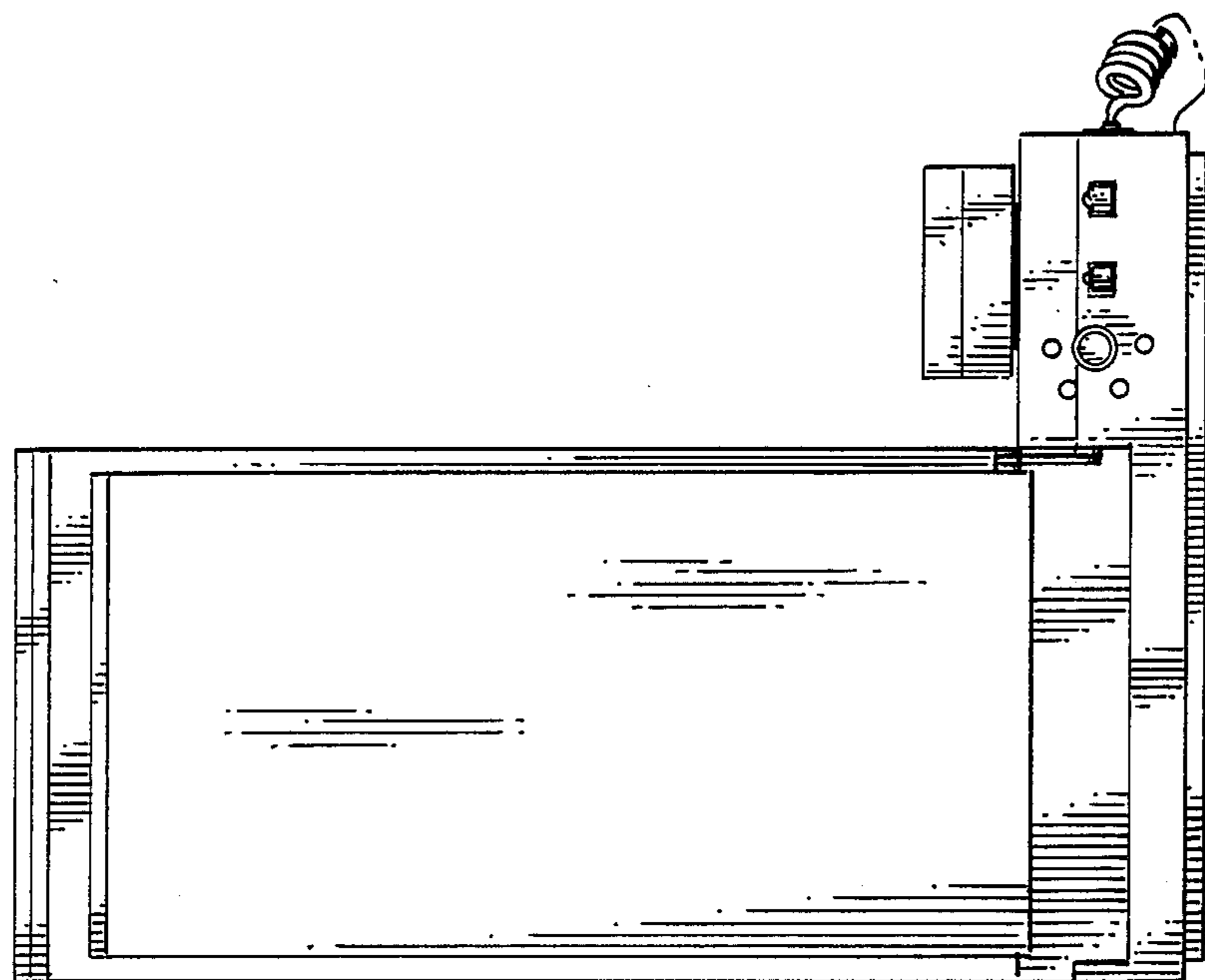


FIG. 13

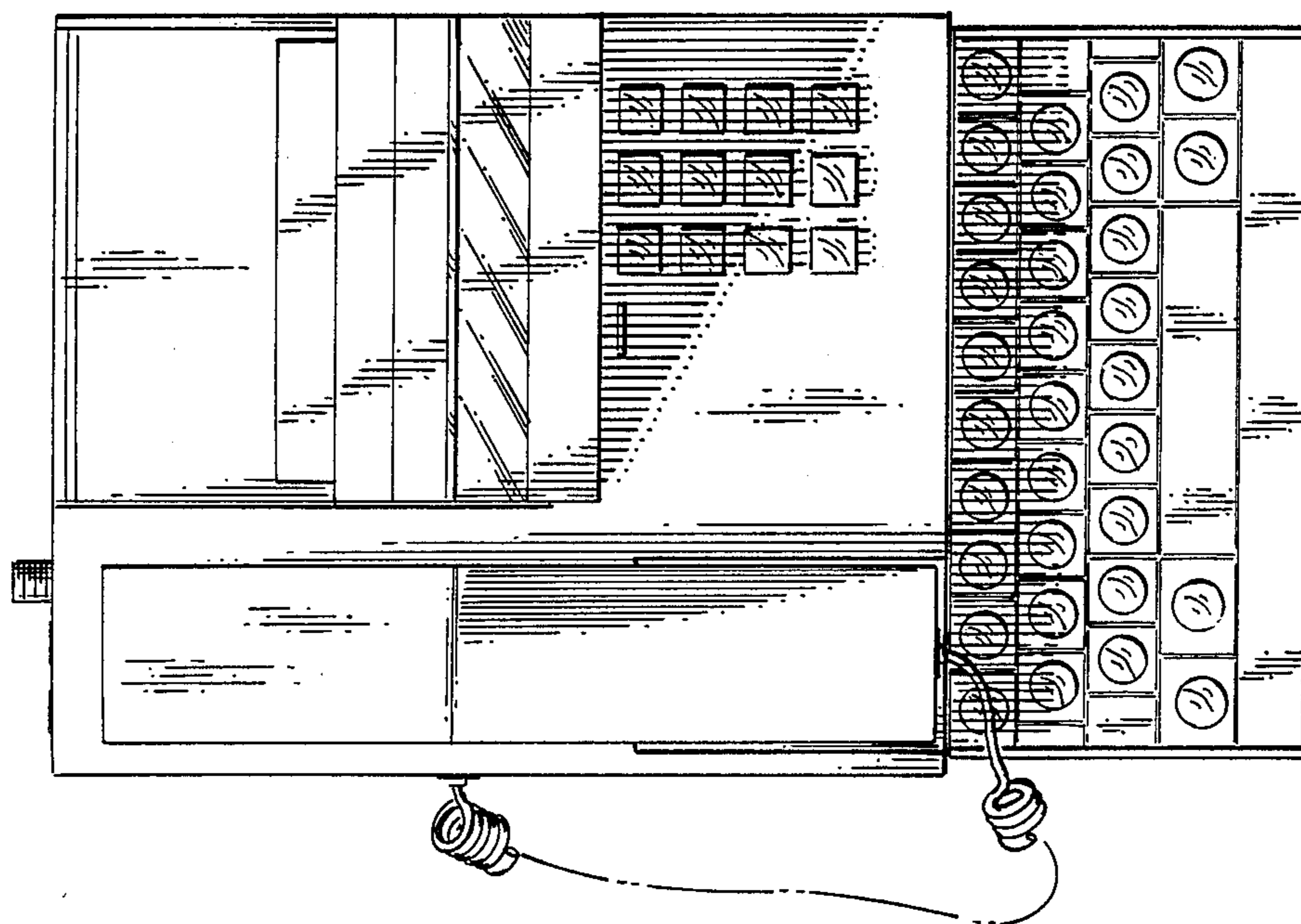


FIG. 11

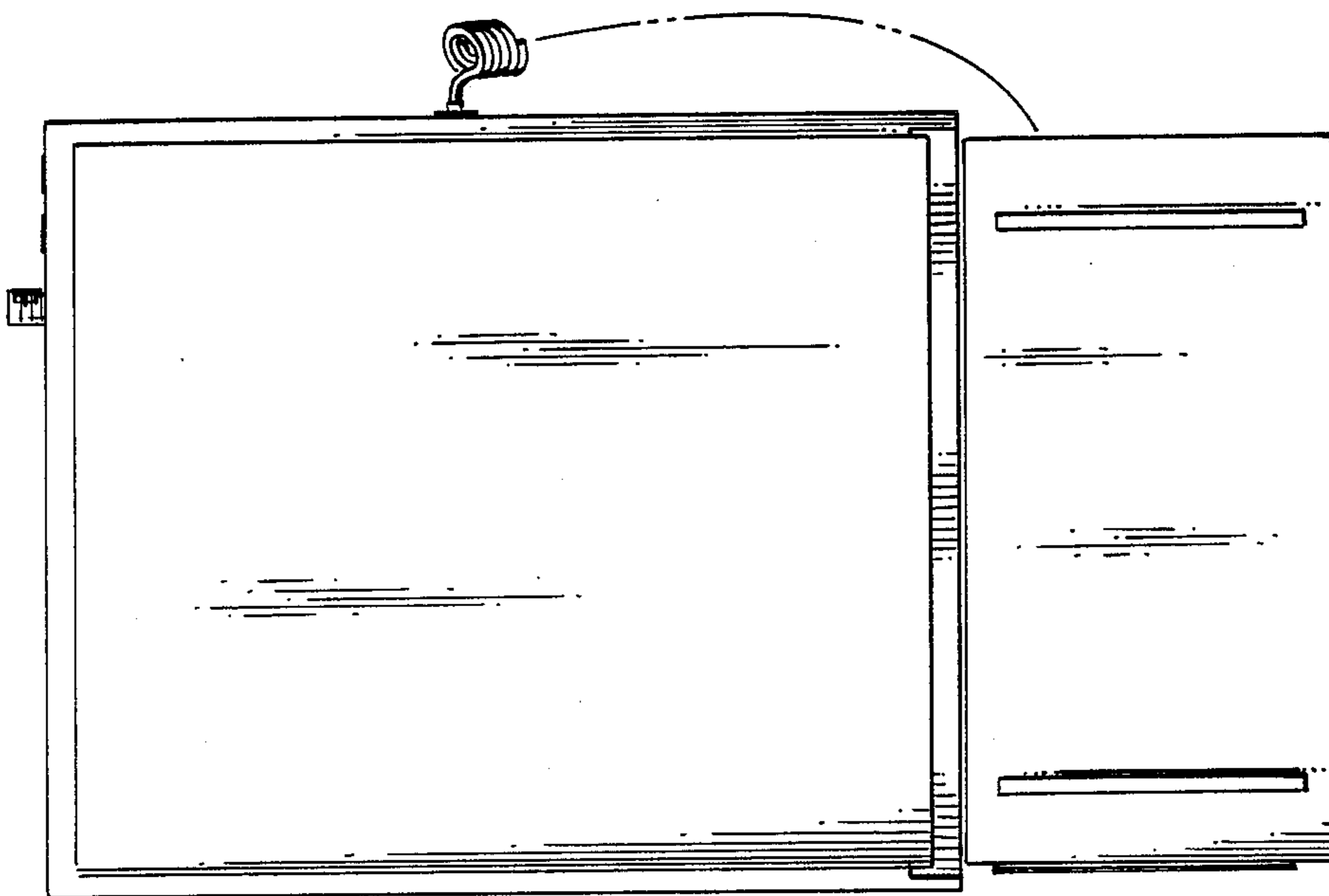


FIG. 14

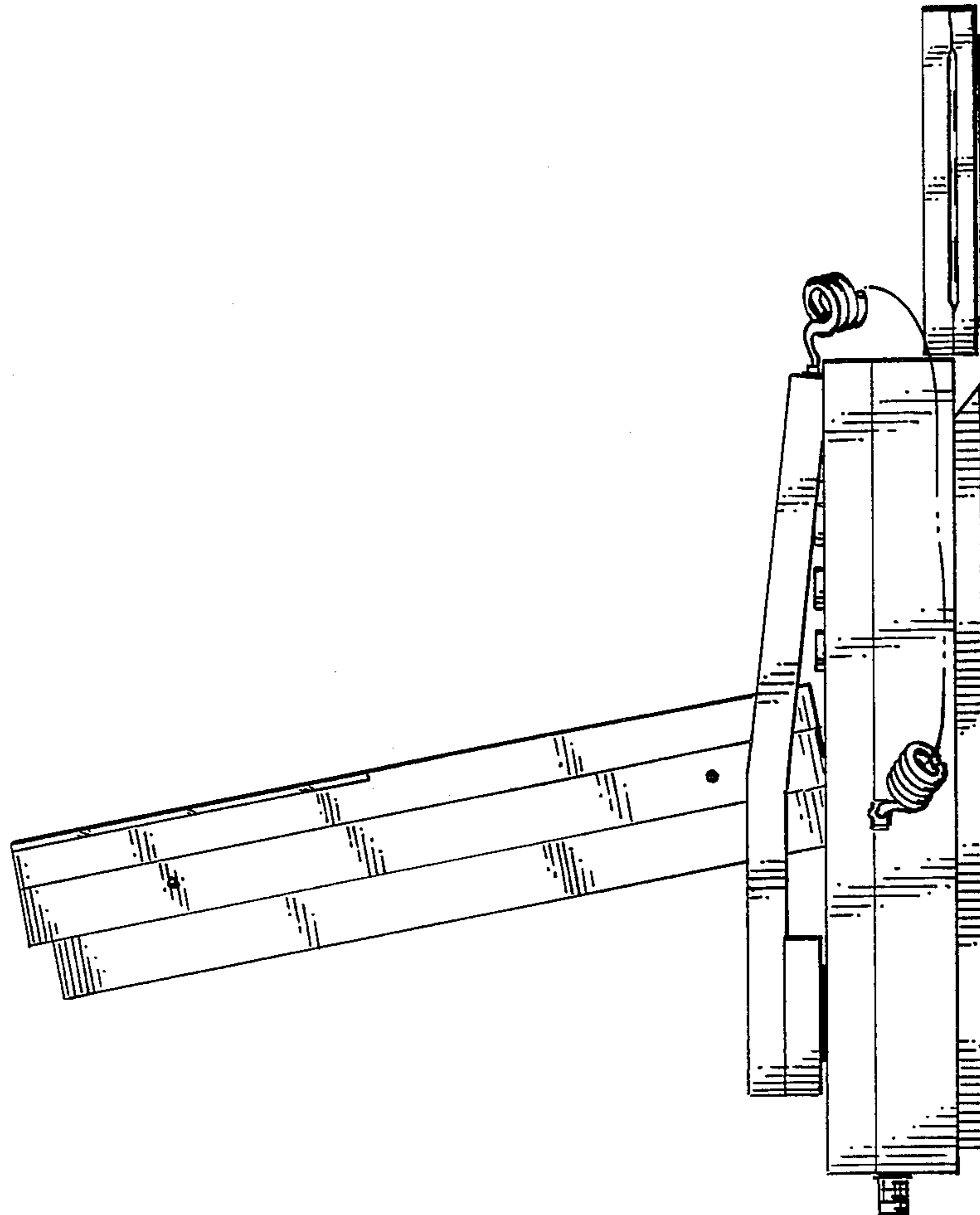


FIG. 15

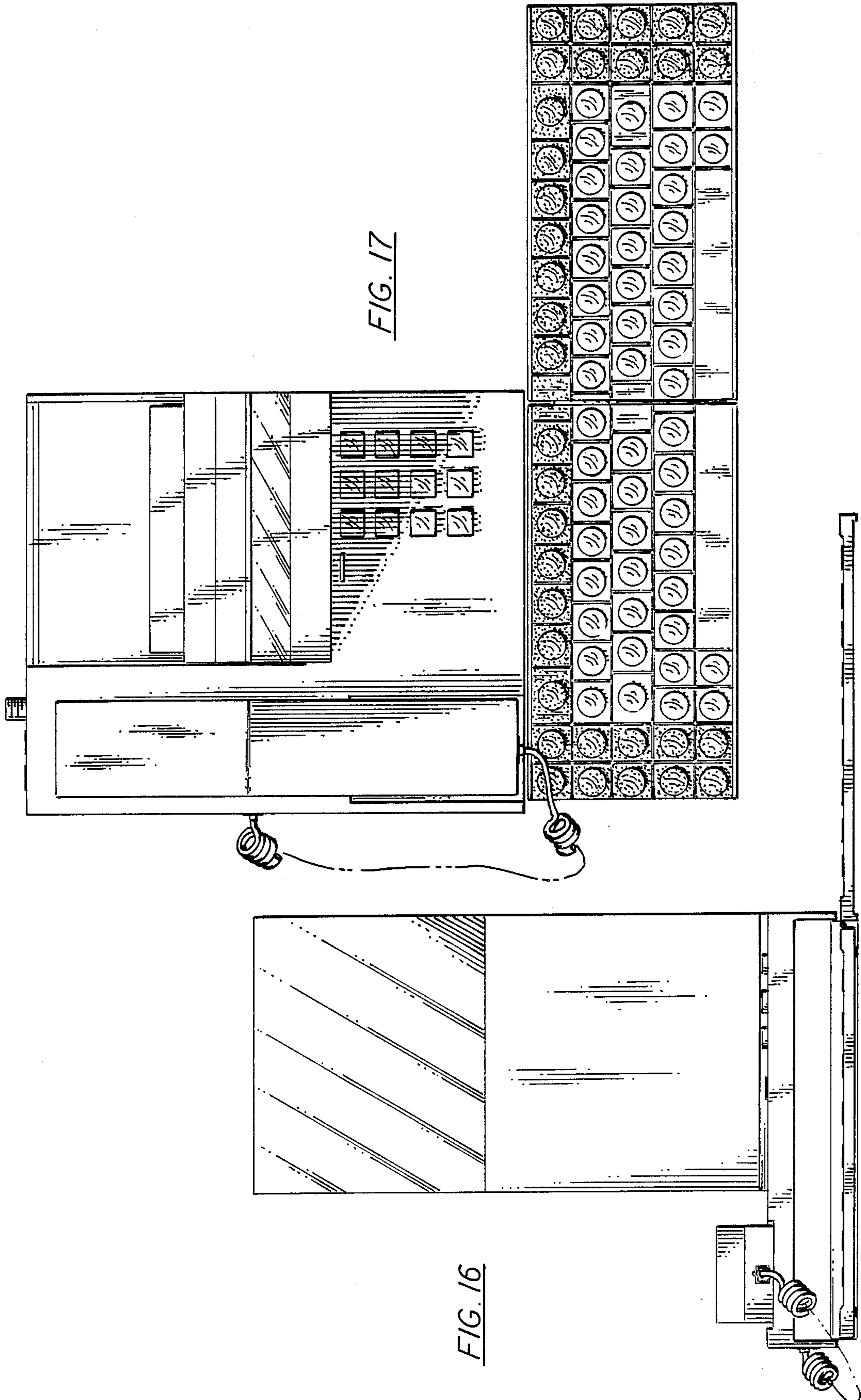


FIG. 17

FIG. 16

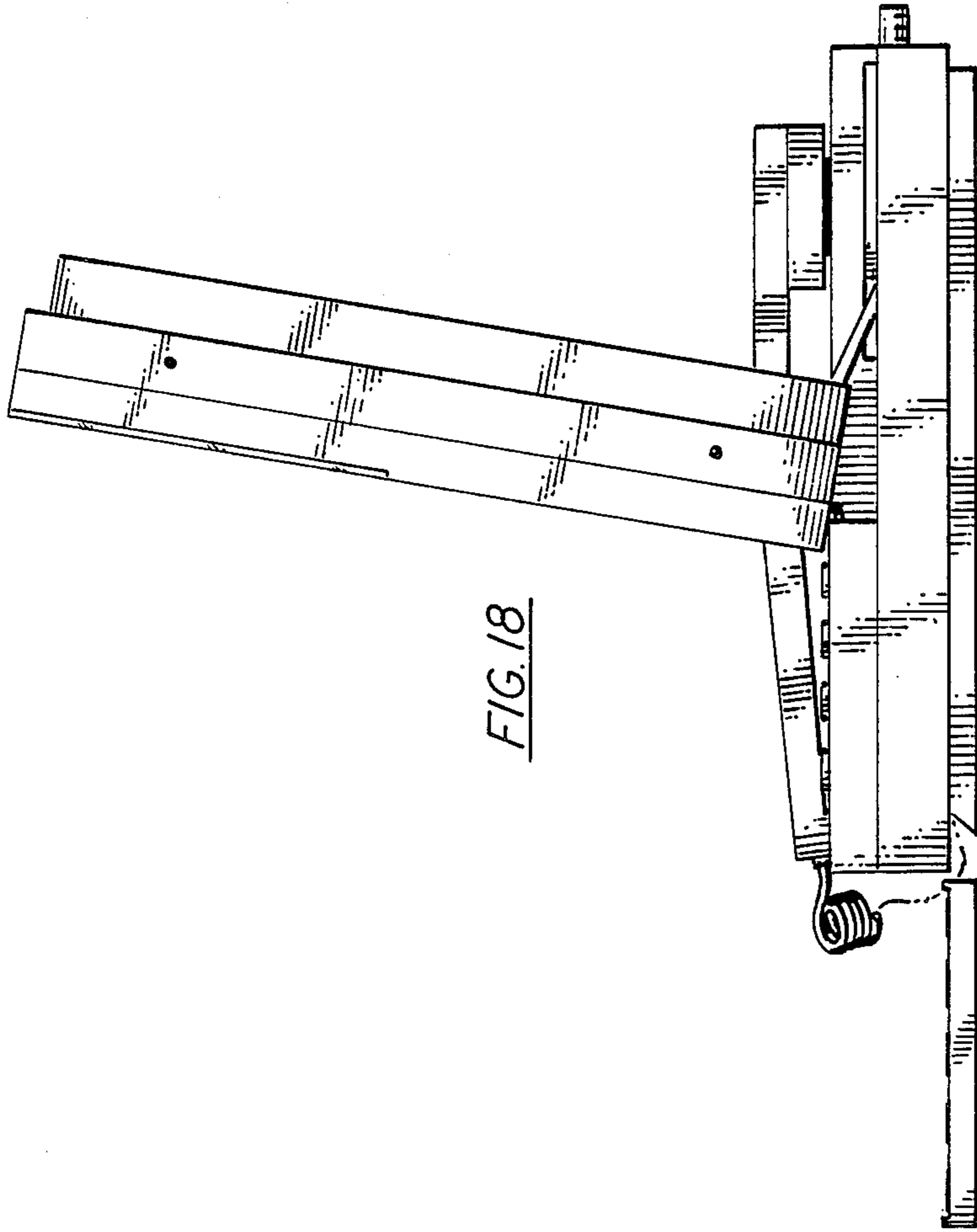


FIG. 18

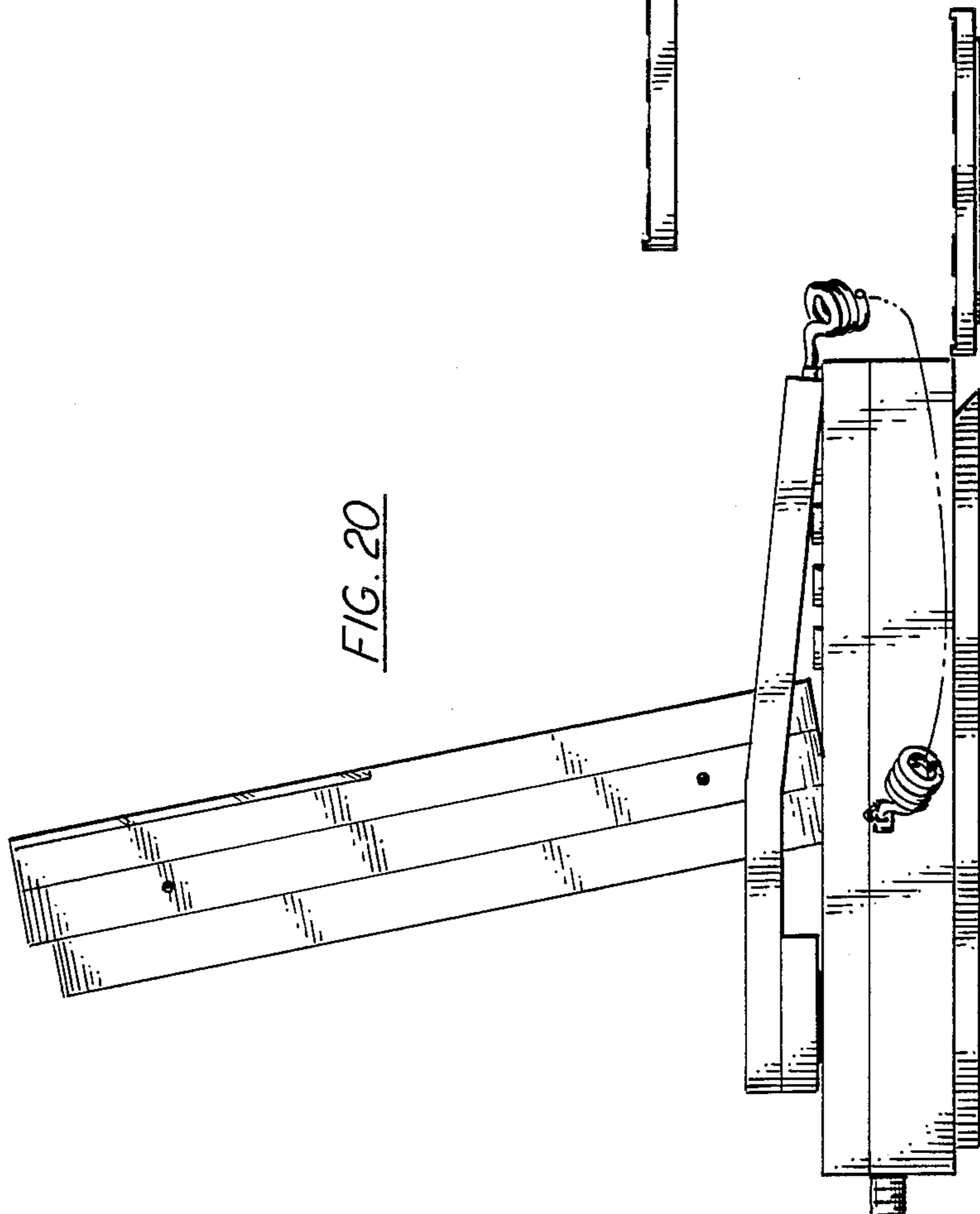


FIG. 20

FIG. 19

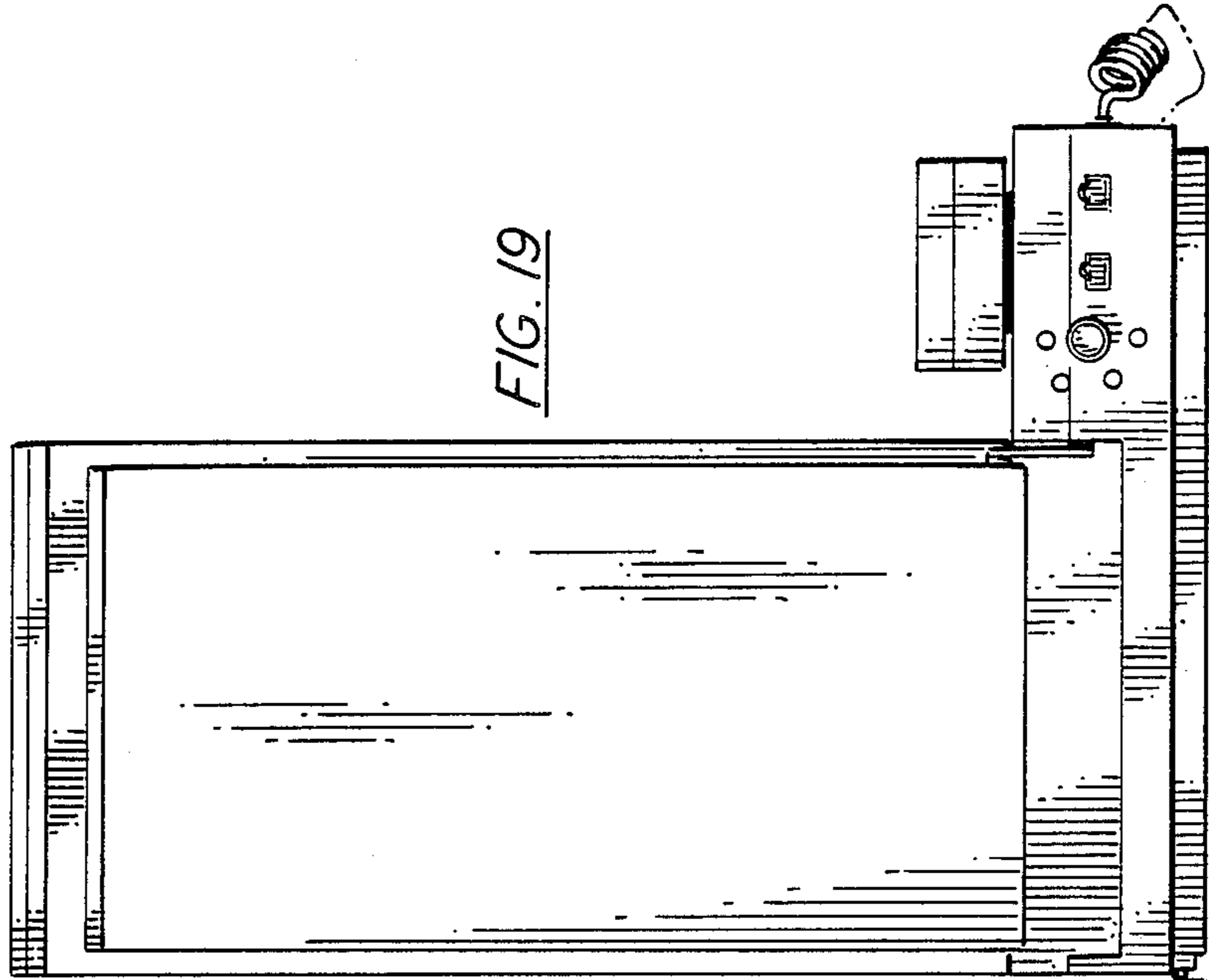


FIG. 21

