

# United States Patent [19]

King, Jr. et al.

[11] Patent Number: **Des. 299,022**

[45] Date of Patent: **\*\* Dec. 20, 1988**

[54] **TELEPHONE POLE INSULATOR**

[76] Inventors: **Halm C. King, Jr.; Nancy King**, both of Star Rte. 2, Box 43J, Hwy. 90W, Del Rio, Tex. 78840

[\*\*] Term: **14 Years**

[21] Appl. No.: **851,438**

[22] Filed: **Apr. 11, 1986**

[52] U.S. Cl. .... **D13/17; D8/354; D8/364**

[58] Field of Search ..... **D13/17, 18; D8/354, D8/364; 174/146, 148, 149 R, 40, 43, 45 R, 174; 248/68.1; 256/10**

[56] **References Cited**

**U.S. PATENT DOCUMENTS**

D. 216,672 3/1970 Barnes ..... D8/364  
D. 254,168 2/1980 Ilukowicz ..... D8/354

753,399 3/1904 Hunt ..... 174/174 X  
1,078,711 11/1913 Whitehead ..... 174/146 X  
1,239,142 9/1917 Van Diest ..... 52/697  
2,056,366 10/1936 Richards et al. .... 52/697  
3,229,025 1/1966 Barwick ..... 174/40 R  
3,867,566 2/1975 Lewis ..... 174/169 X

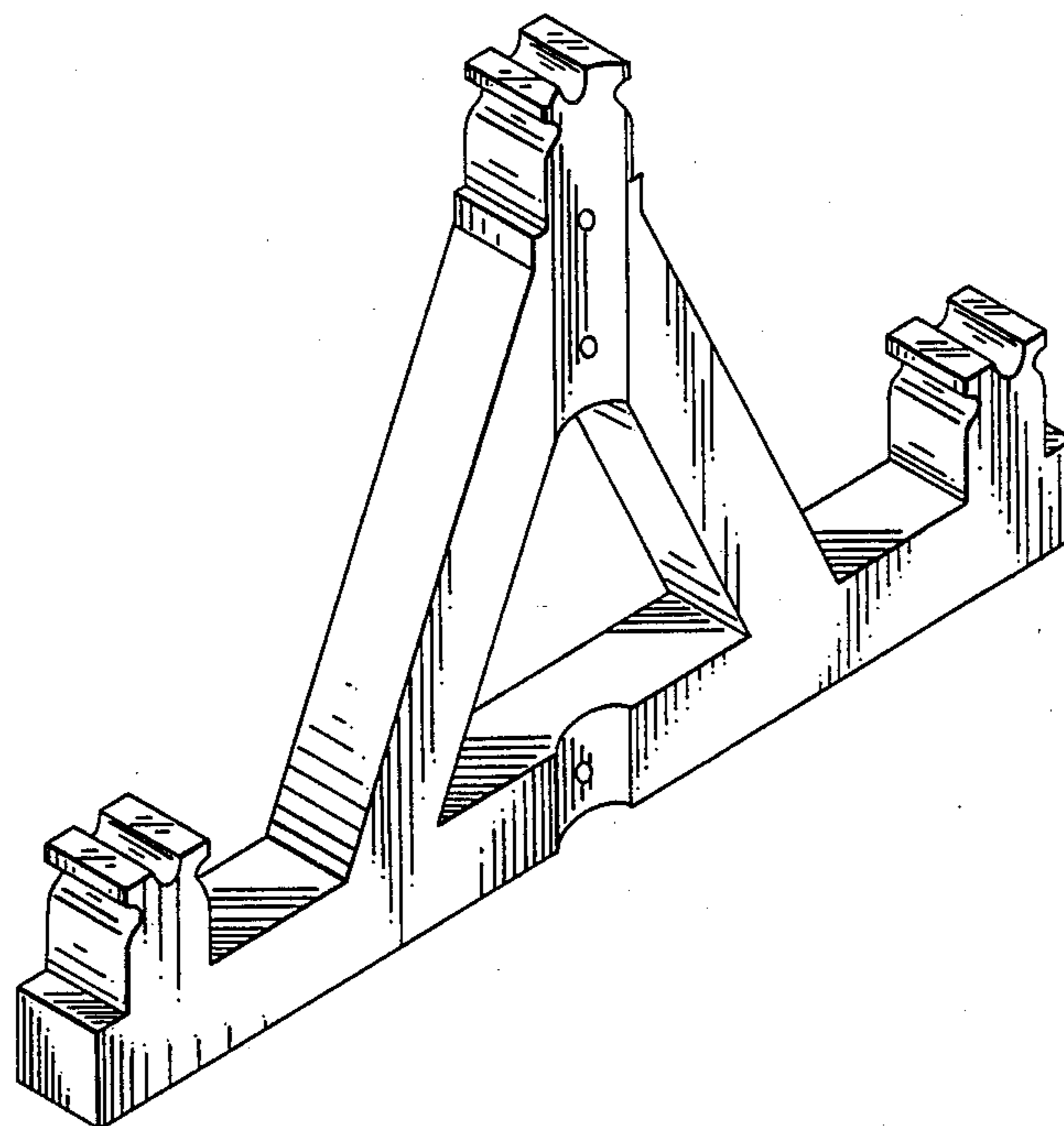
*Primary Examiner*—Susan J. Lucas  
*Attorney, Agent, or Firm*—Gunn, Lee & Jackson

[57] **CLAIM**

The ornamental design for a telephone pole insulator, as shown.

**DESCRIPTION**

FIG. 1 is a front view of a telephone pole insulator showing my new design.  
FIG. 2 is a top view thereof.  
FIG. 3 is a bottom view thereof.  
FIG. 4 is a side view thereof.  
FIG. 5 is a perspective view thereof.  
FIG. 6 is a rear view thereof.



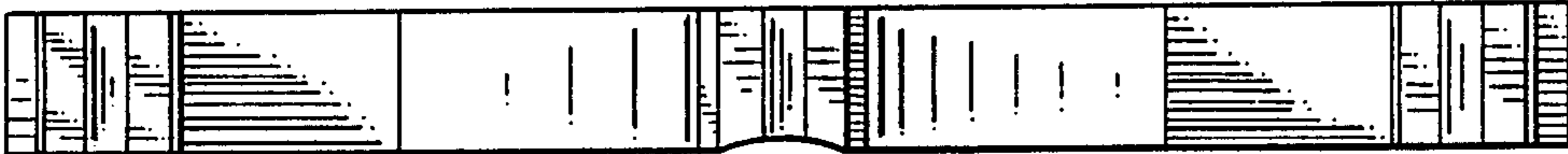


FIG. 2

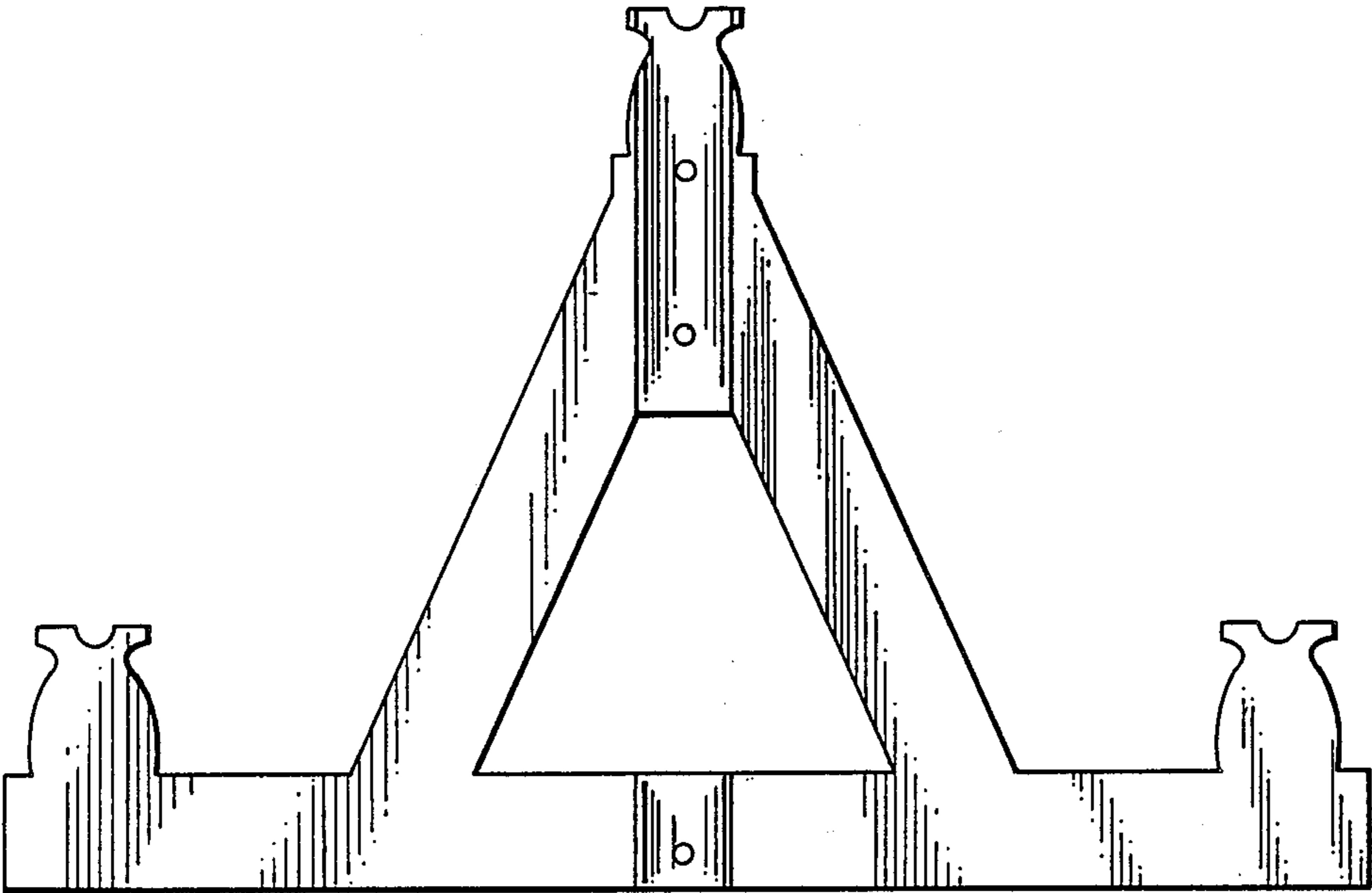


FIG. 1



FIG. 4



FIG. 3

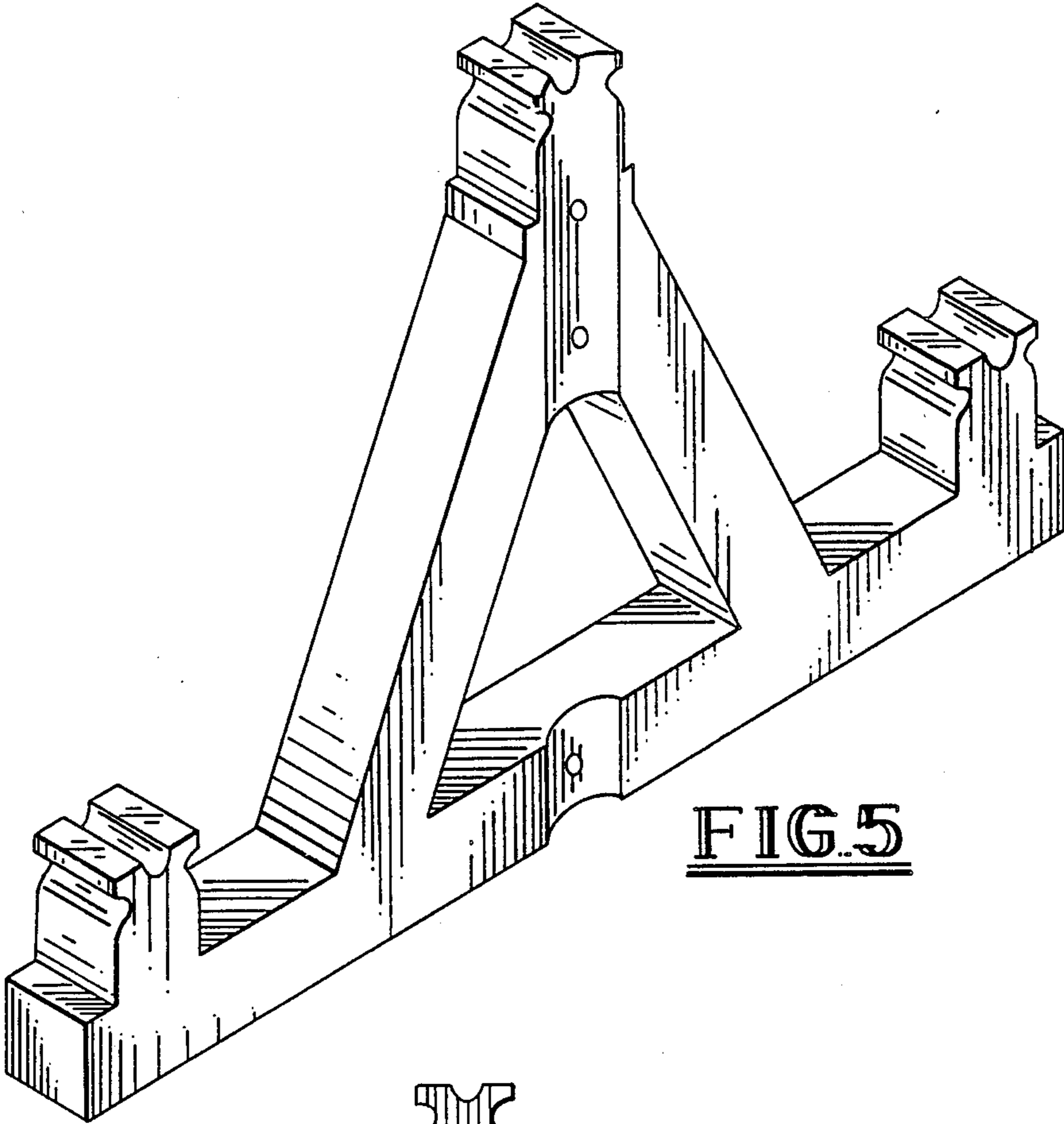


FIG. 5

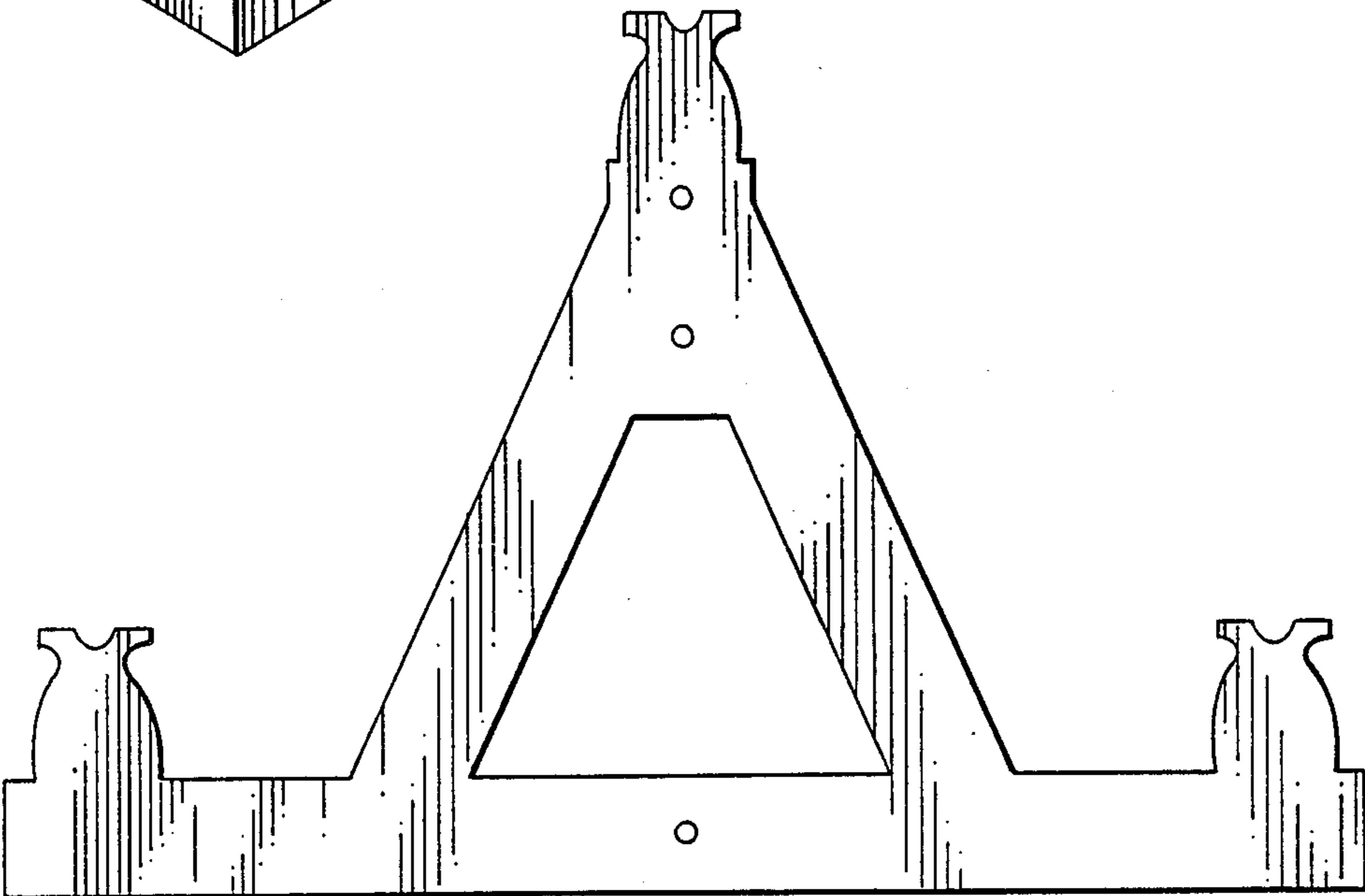


FIG. 6