

[54] **SELF-CONTAINED ROWING UNIT**

[76] **Inventor: Edward S. Hand, 26 Weston Rd., Wellesley, Mass. 02181**

[\*\*] **Term: 14 Years**

[21] **Appl. No.: 645,615**

[22] **Filed: Aug. 29, 1984**

[52] **U.S. Cl. .... D12/317; D12/302**

[58] **Field of Search ..... D12/302, 304, 317, 318; D21/236, 237, 238; 441/68, 74; 114/58**

[56] **References Cited**

**FOREIGN PATENT DOCUMENTS**

2938211 4/1981 Fed. Rep. of Germany ..... 441/74

*Primary Examiner*—James M. Gandy

*Assistant Examiner*—Kay H. Chin

*Attorney, Agent, or Firm*—Robert L. Goldberg

[57] **CLAIM**

The ornamental design for a self-contained rowing unit, as shown and described.

**DESCRIPTION**

FIG. 1 is a perspective view of a self-contained rowing unit showing my new design;

FIG. 2 is a top plan view thereof;

FIG. 3 is a side elevation view thereof, the opposite side being a mirror image of that shown;

FIG. 4 is an end elevation view thereof;

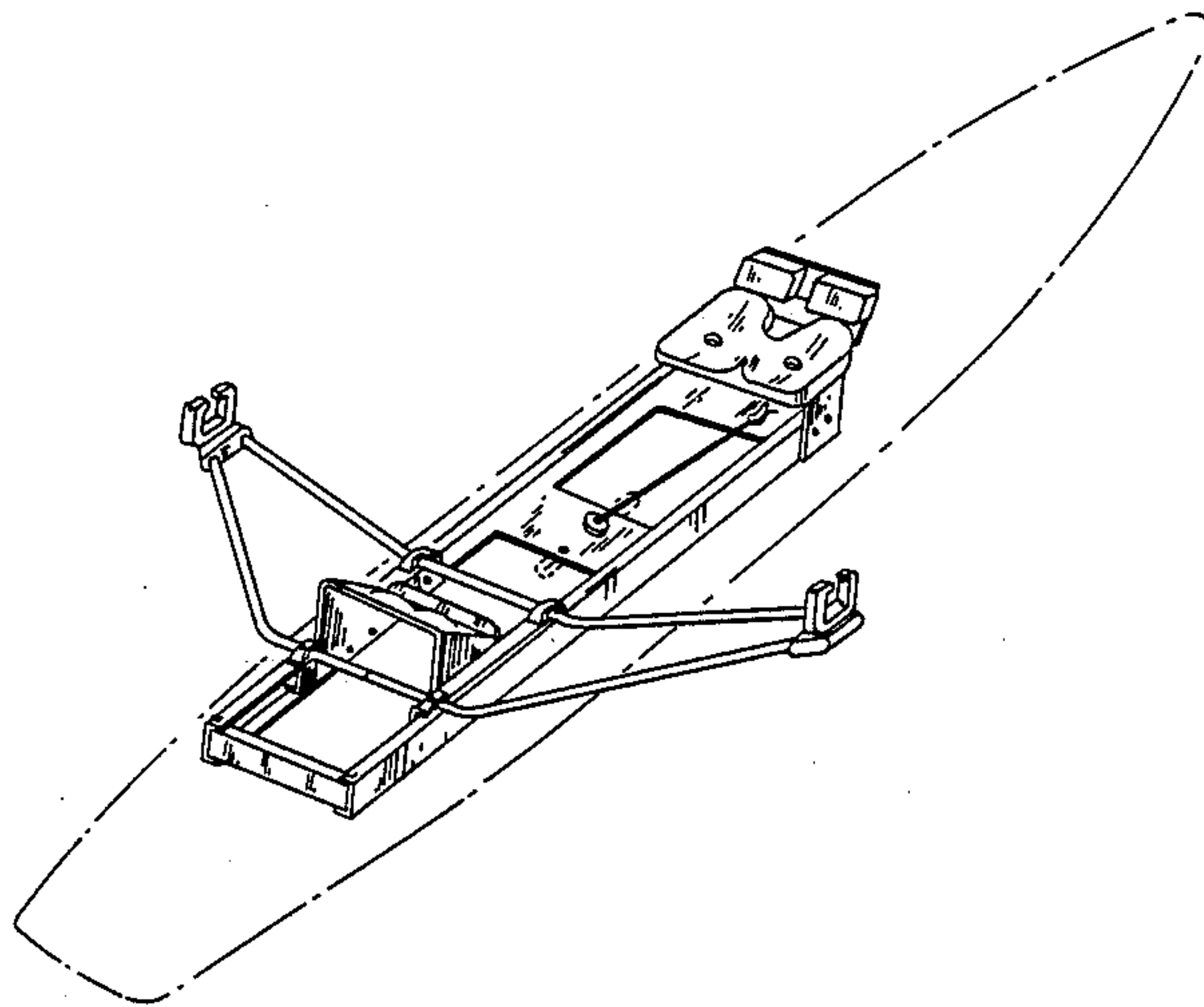
FIG. 5 is a top plan view of a self-contained rowing unit showing a second embodiment of my new design;

FIG. 6 is a side elevation view of FIG. 5, the opposite side being a mirror image of that shown;

FIG. 7 is an end elevation view of FIG. 5;

FIG. 8 is a perspective view of FIG. 5.

The broken lines shown in FIG. 1 and FIG. 2 are for illustrative purposes only.



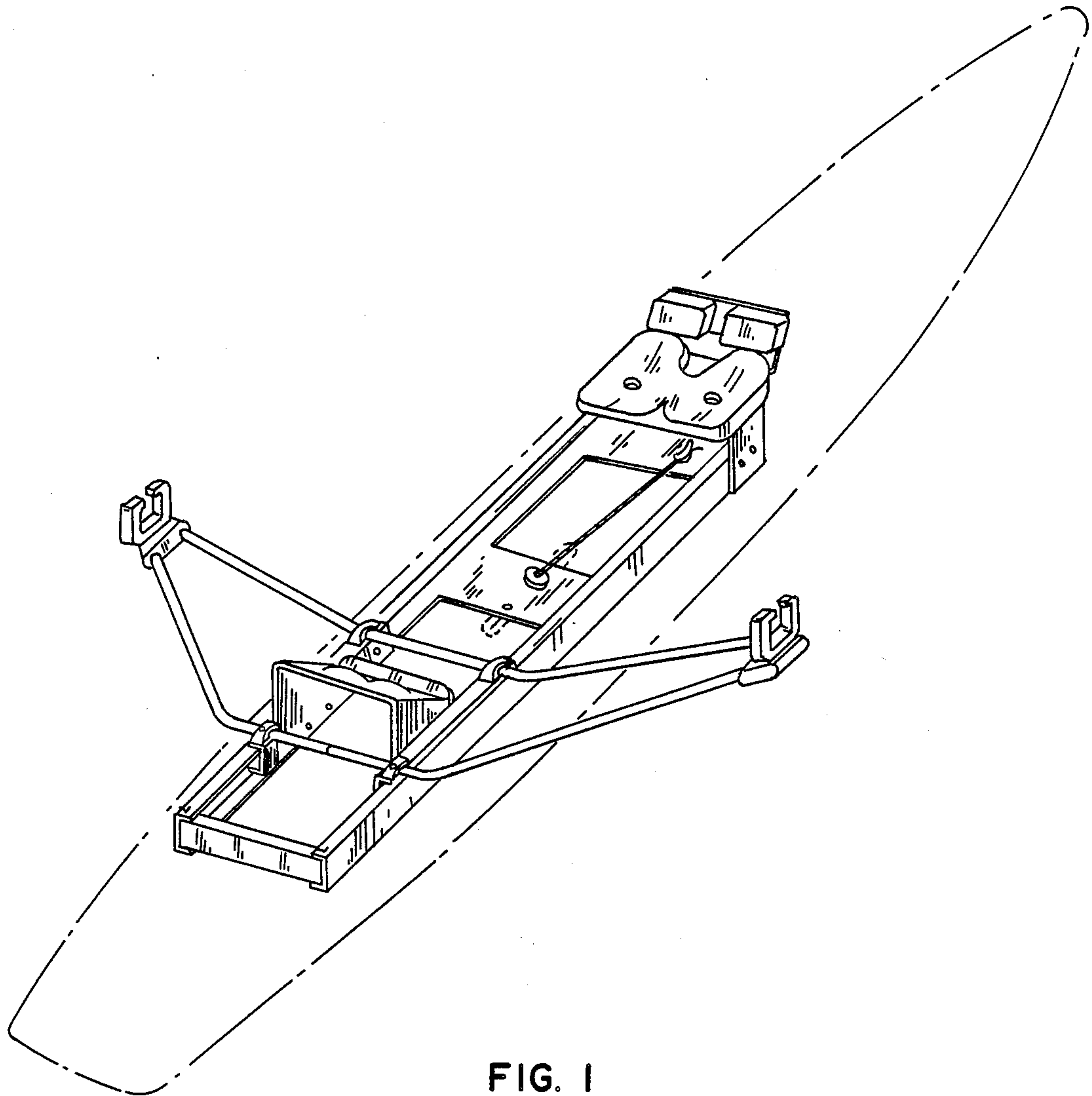


FIG. 1

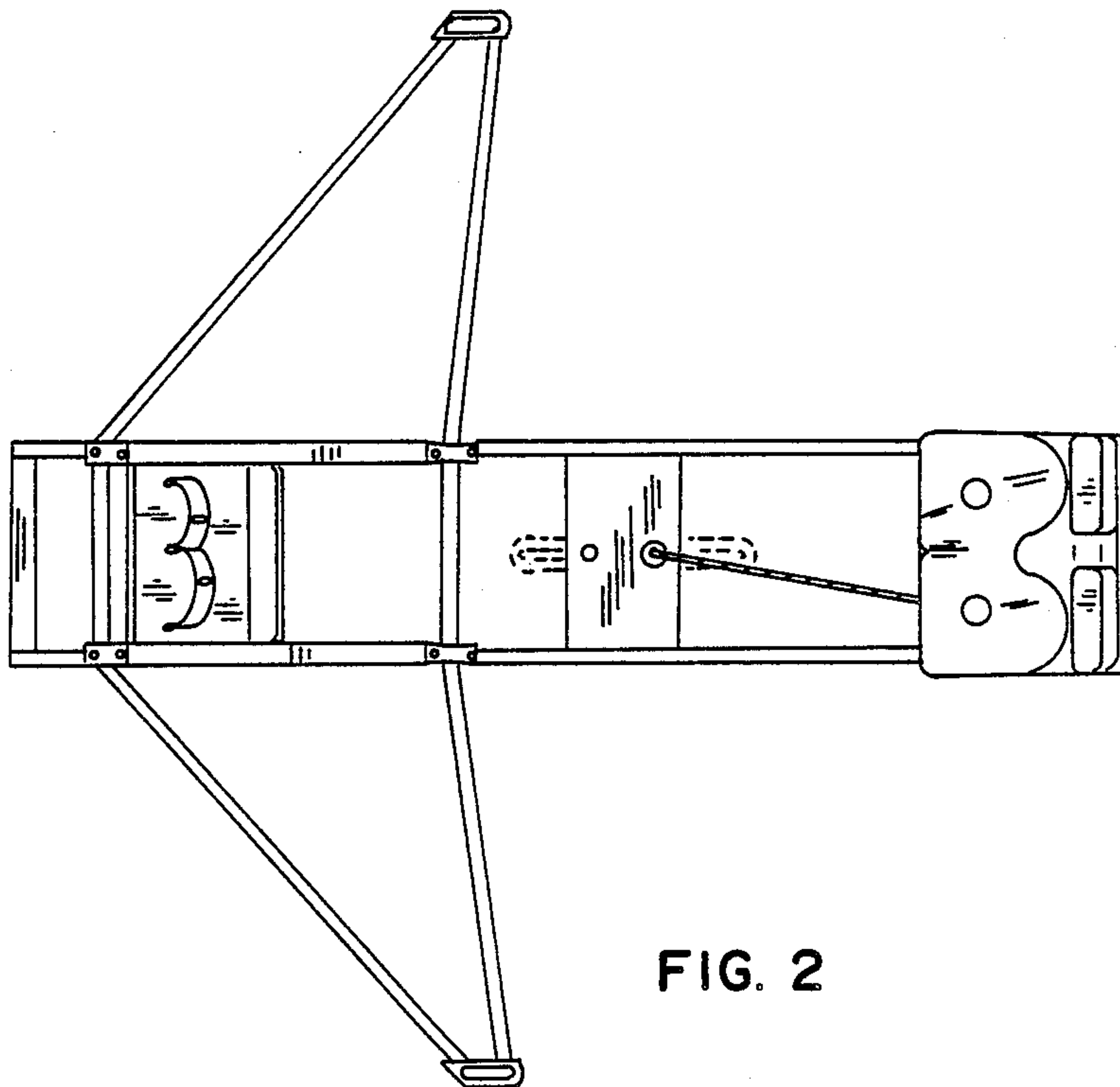


FIG. 2

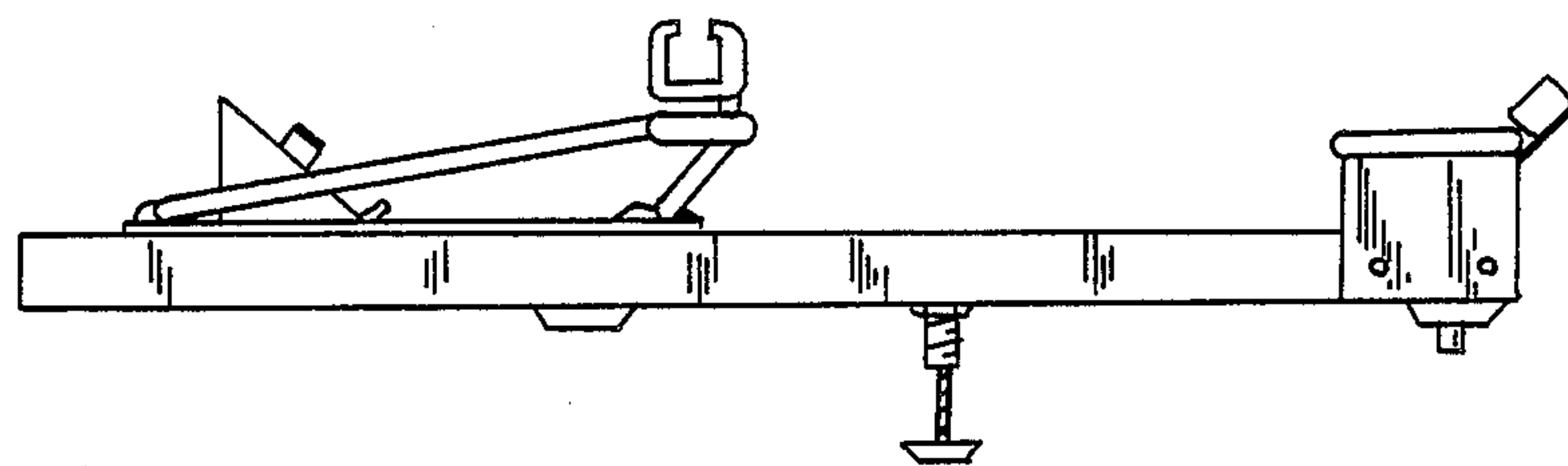


FIG. 3

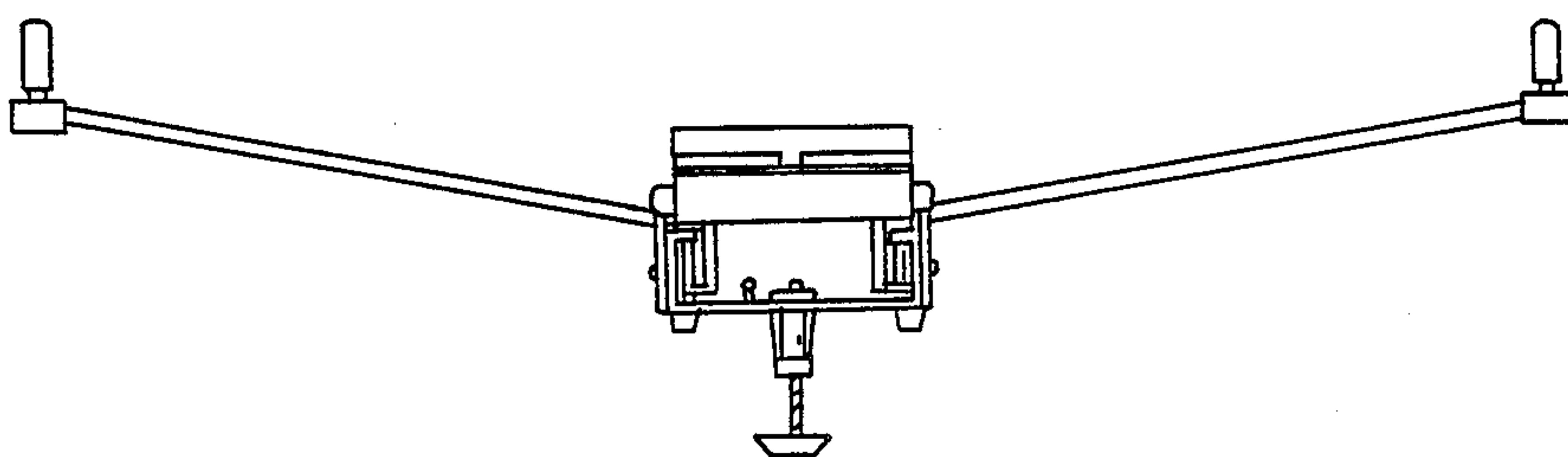


FIG. 4

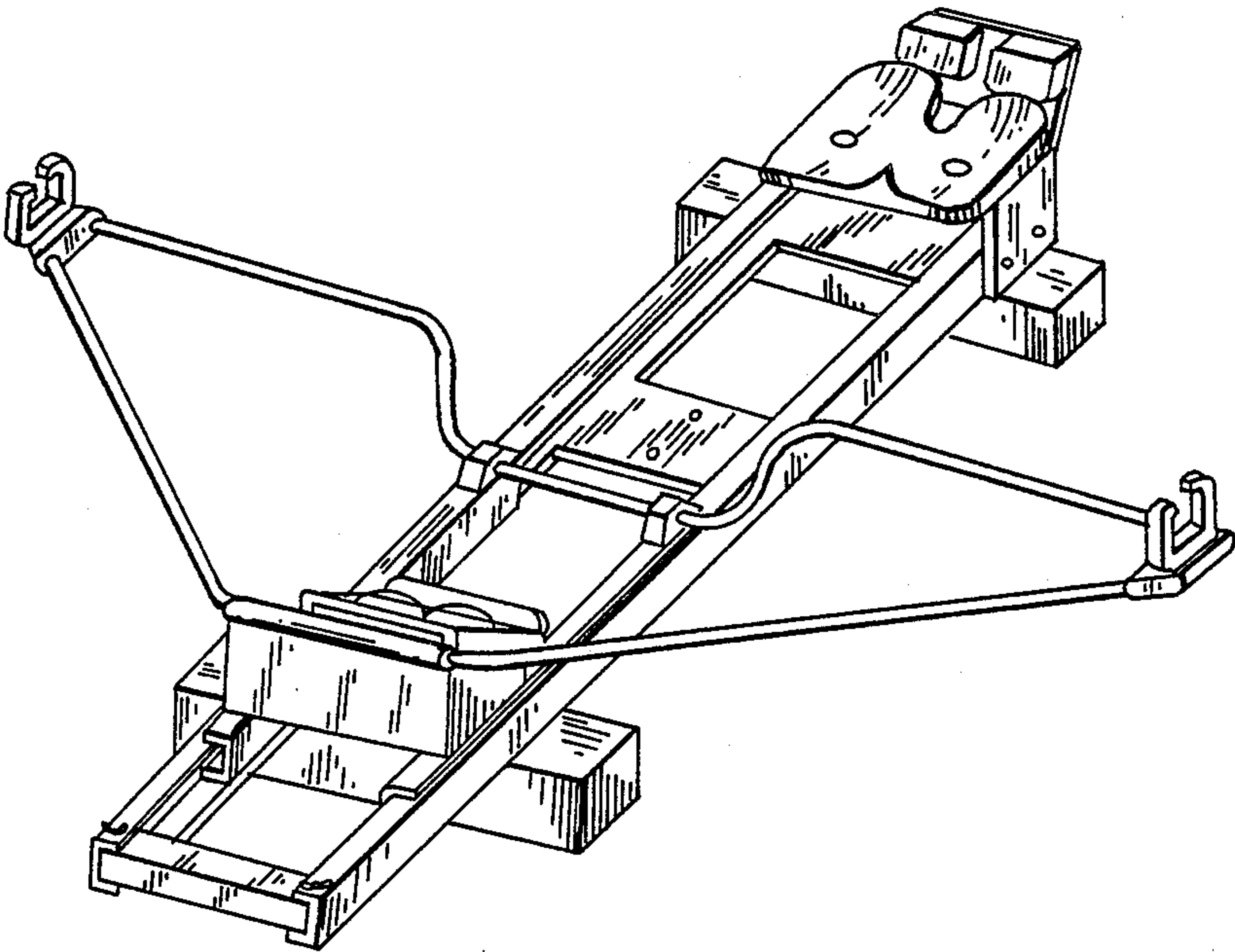


FIG. 5A

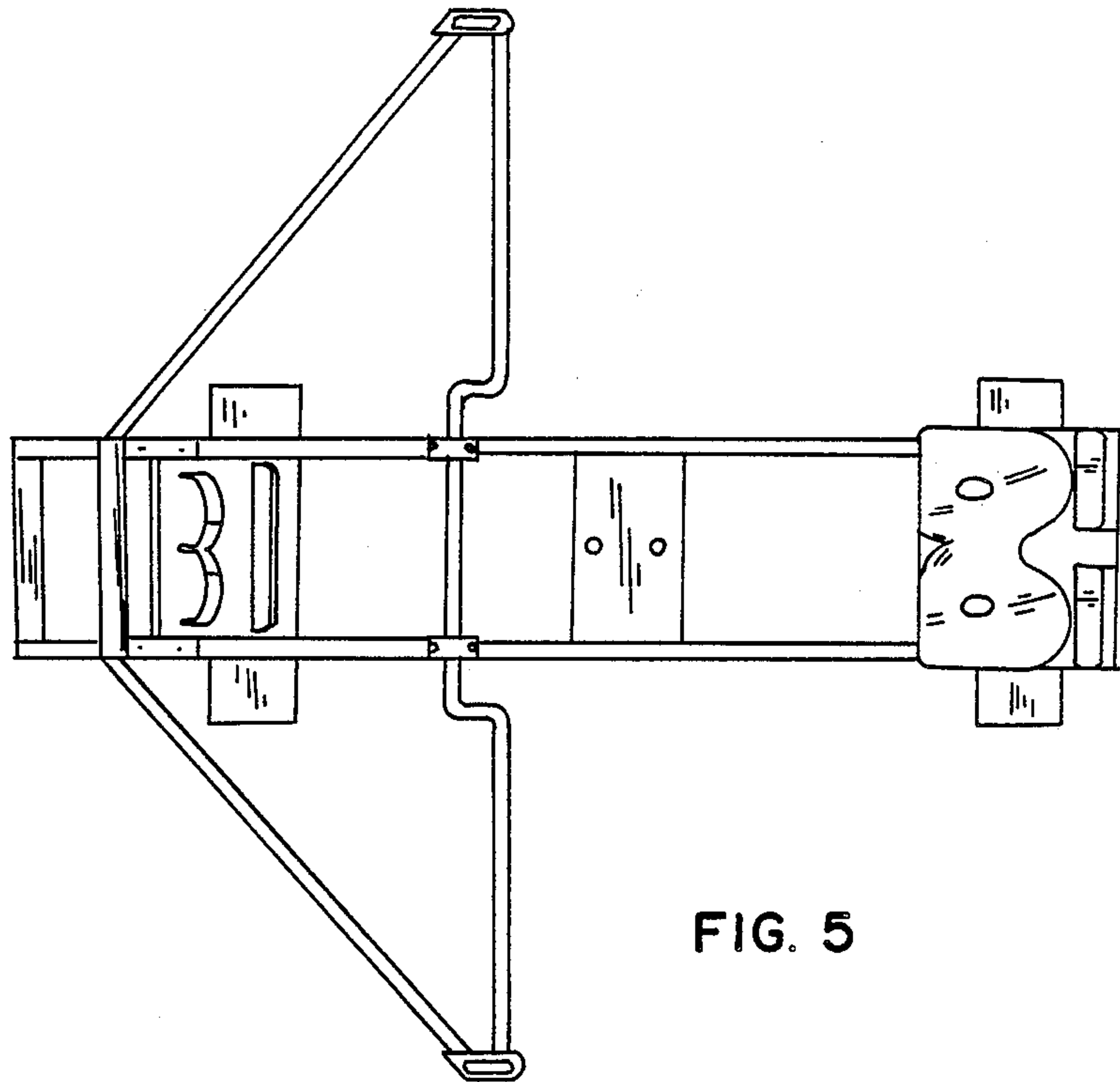


FIG. 5

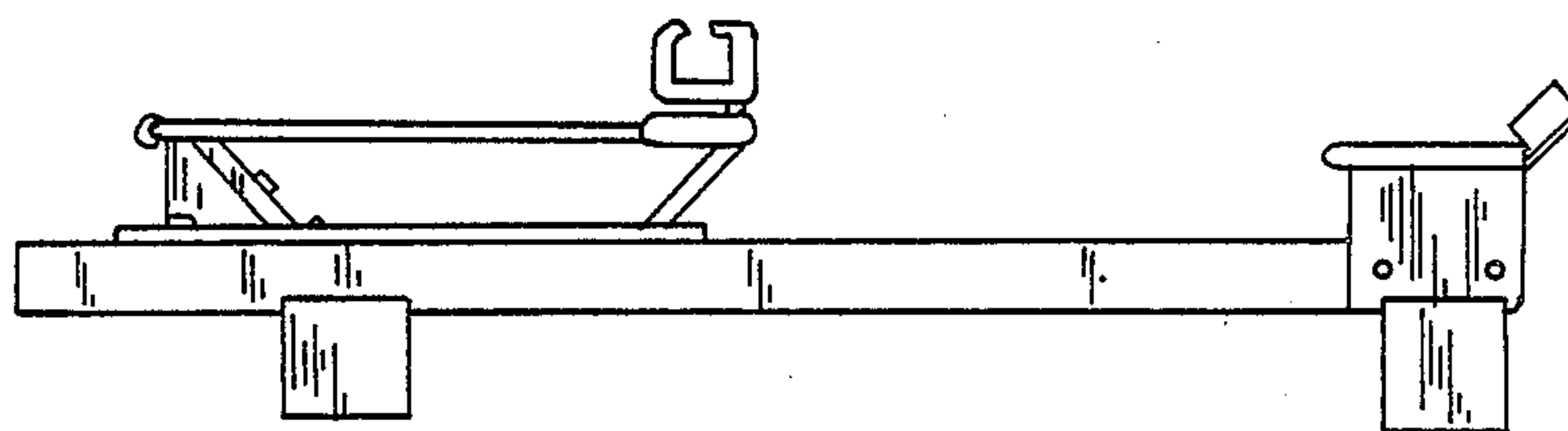


FIG. 6

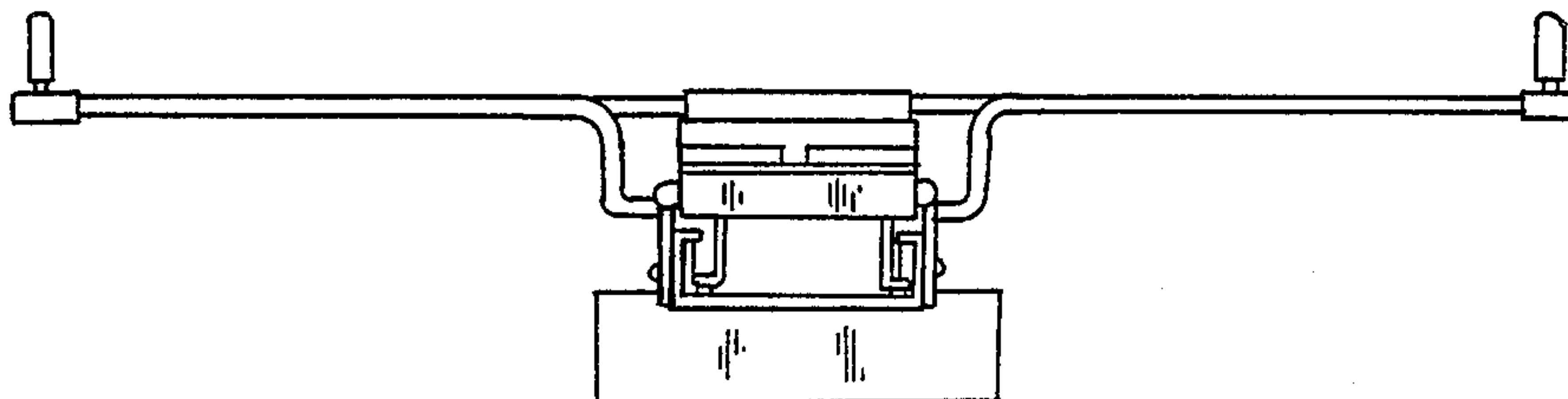


FIG. 7