

[54] TRUCK FENDER

[75] Inventor: David C. McKinnon, Ann Arbor, Mich.

[73] Assignee: Chrysler Motors Corporation, Highland Park, Mich.

[\*\*] Term: 14 Years

[21] Appl. No.: 850,362

[22] Filed: Apr. 4, 1986

[52] U.S. Cl. .... D12/184

[58] Field of Search ..... D12/184; 280/152 R

[56] References Cited  
PUBLICATIONS

Motor Trend, 10/81, p. 88, Front Fender of Chevy S-10 Pickup Truck, top center of page.

Motor Trend, 3/85, p. 71, Front Fender of Mazda B2000 Pickup Truck, center of page.

Commercial Carrier Journal, 6/83, p. 139, Front Fender of Dodge Ram Pickup Truck, top left side of page.

Hot Rod, 12/85, p. 64, Front Fender of Dodge Dakota Pickup Truck, top center of page.

Primary Examiner—James M. Gandy  
Attorney, Agent, or Firm—Gerald P. Dundas

[57] CLAIM

The ornamental design for a truck fender, as shown and described.

DESCRIPTION

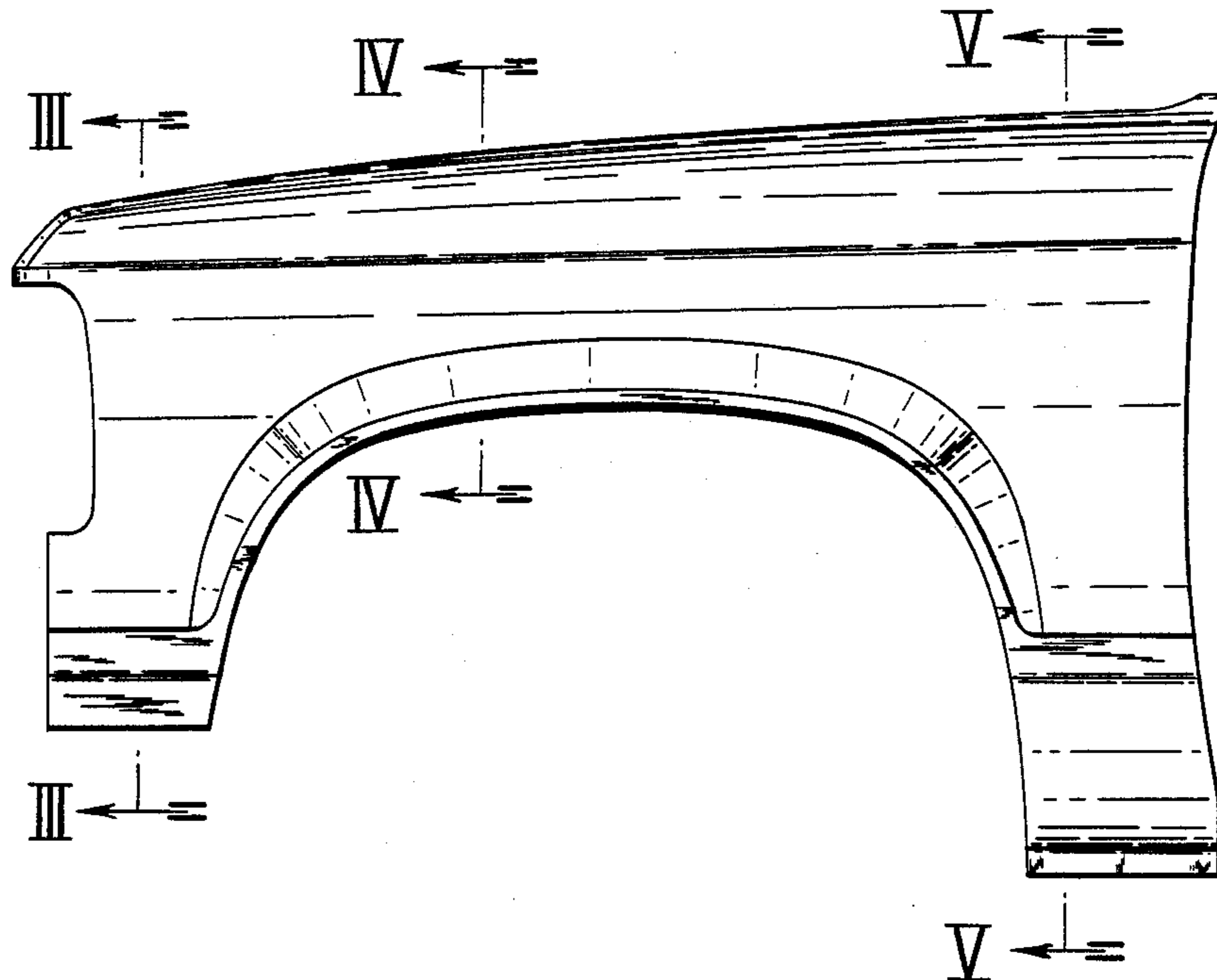
FIG. 1 is a perspective view of a truck fender showing my new design it being understood that the broken line showing of a truck is for illustrative purposes only and forms no part of the claimed design;

FIG. 2 is an enlarged front elevation view thereof;

FIG. 3 is an enlarged cross-sectional view taken along the line III—III of FIG. 2;

FIG. 4 is an enlarged cross-sectional view taken along the line IV—IV of FIG. 2; and

FIG. 5 is an enlarged cross-sectional view taken along the line V—V of FIG. 2.



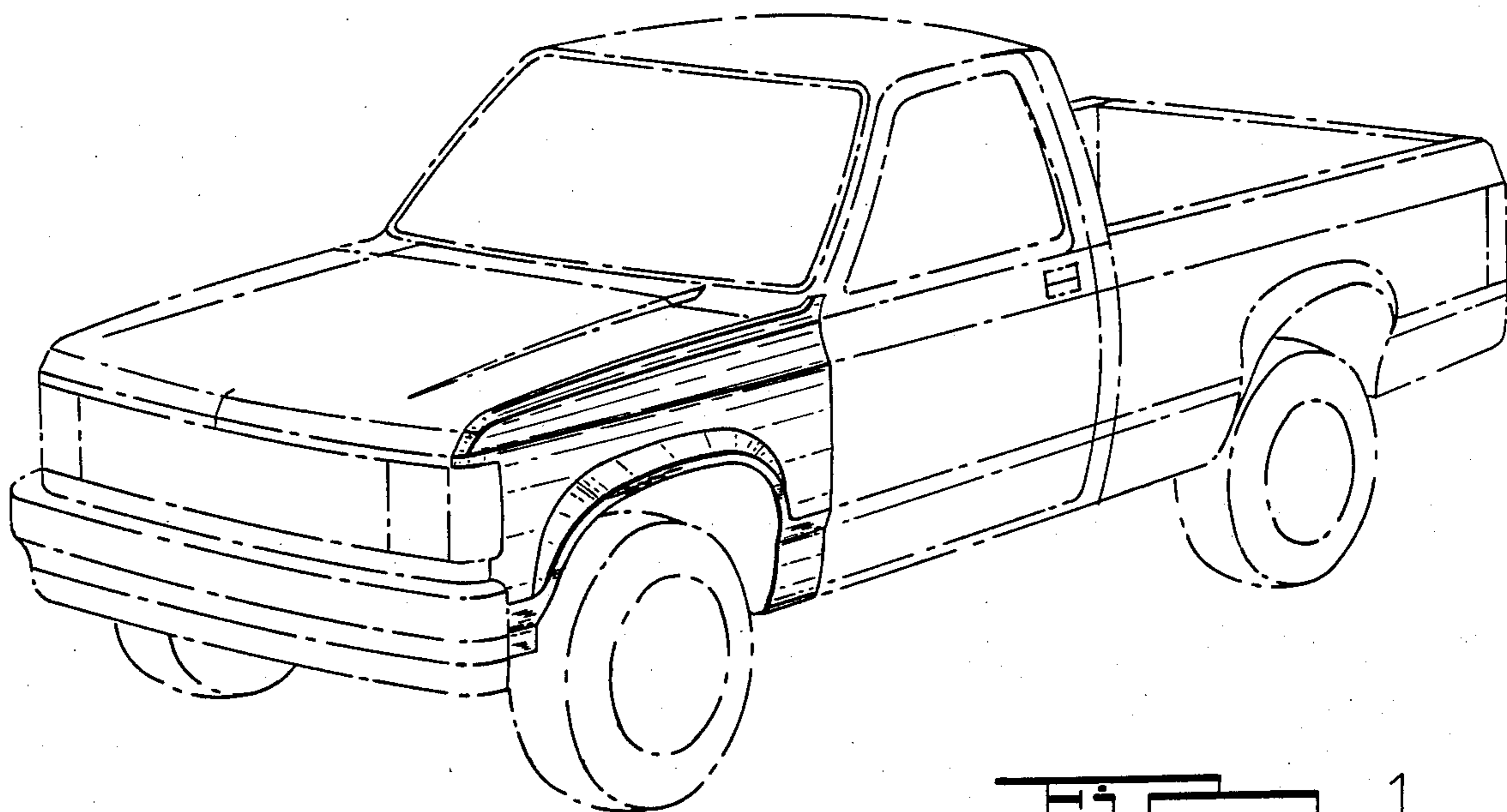


FIG. 1.

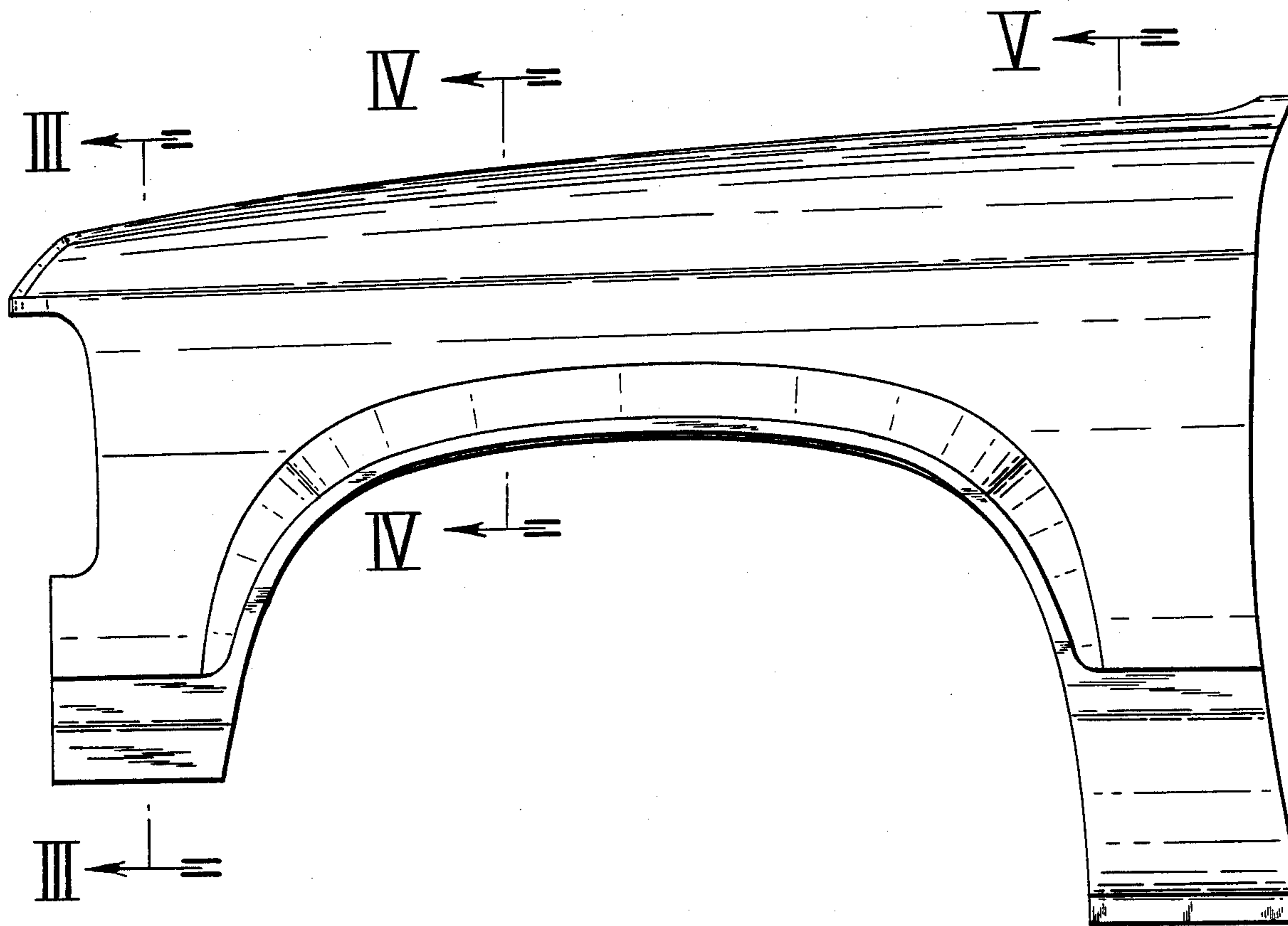


FIG. 2.

V

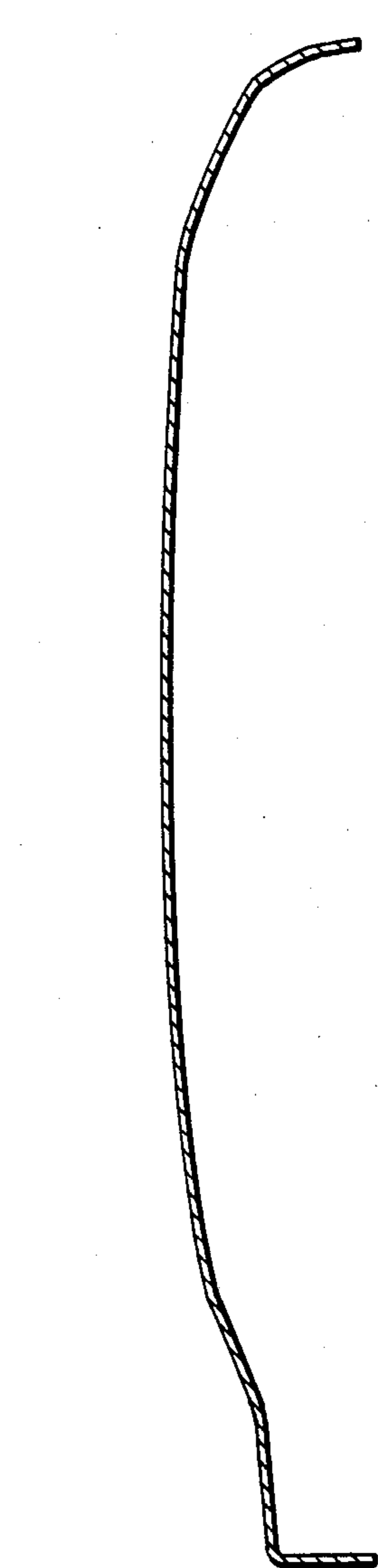


FIG. 2.

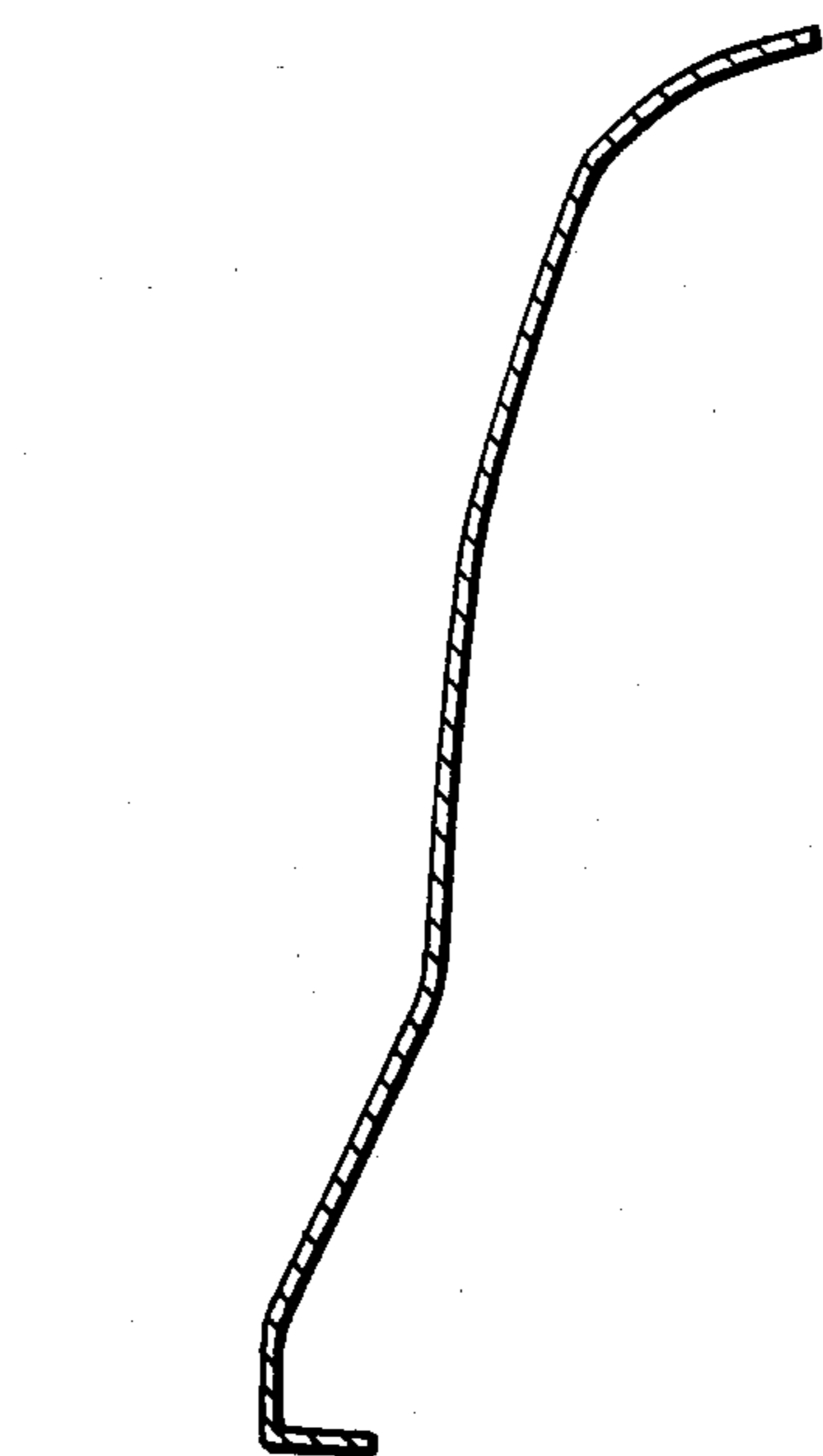


FIG. 4.

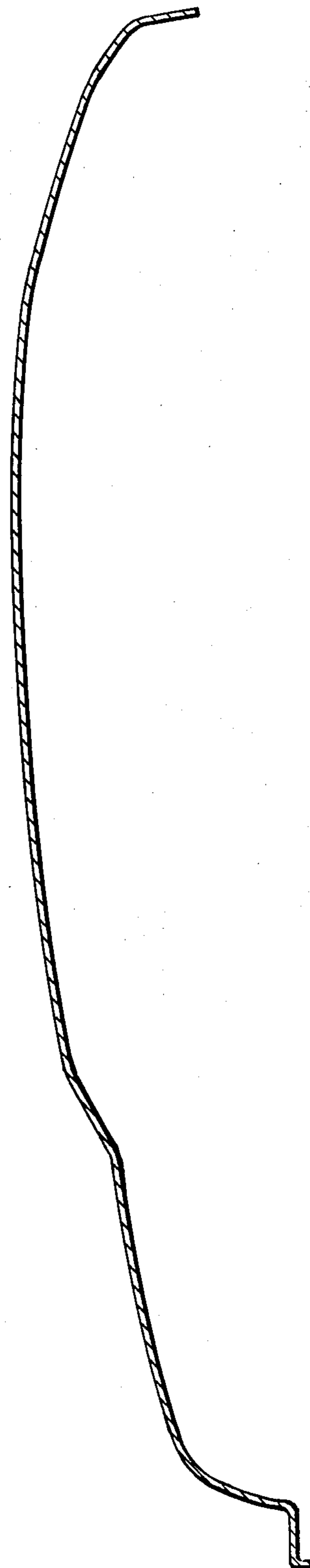


FIG. 5.

# REEXAMINATION CERTIFICATE (1526th)

## United States Patent [19]

McKinnon

[11] B1 Des. 299,019

[45] Certificate Issued Aug. 13, 1991

[54] TRUCK FENDER

[75] Inventor: David C. McKinnon, Ann Arbor, Mich.

[73] Assignee: Chrysler Corporation, Highland Park, Mich.

### Reexamination Request:

No. 90/002,278, Feb. 13, 1991

### Reexamination Certificate for:

Patent No.: Des. 299,019

Issued: Dec. 20, 1988

Appl. No.: 850,362

Filed: Apr. 4, 1986

[52] U.S. Cl. .... D12/184

[58] Field of Search ..... D12/184; 280/152 R

[56] References Cited

### PUBLICATIONS

Motor Trend, 2/82, pp. 85, 86 & 87, Chevrolet S-10 Pickup Truck Front Fender, top of page.  
Mazda B1600 Pickup, Mazda Car Imports (GB) Ltd., 1976 (advertisement) (Exh. A1).  
Toyota Corolla, Toyota, 1981 (advertisement), front cover, intermediate page (Exhs. B1-B2).  
1982 Cars and Trucks by Toyota, Toyota, 1982 (advertisement), front cover and intermediate page (Exhs. C1-C2).  
Nissan Trucks, Nissan Motor Corporation, 1984 (advertisement), front cover, pp. 12-13, rear cover (Exhs. D1-D4).  
1982 Ford Escort, Ford Motor Co., 1981 (advertisement), front cover, p. 3, rear cover (Exhs. E1-E3).  
1982 Ford Courier, Ford Motor Co., 1981 (advertisement), front cover, p. 4, rear cover (Exhs. F1-F3).  
1984 Ford Ranger, Ford Motor Co., 1984, (advertisement) front cover, p. 11, rear cover (Exhs. G1-G3).  
1984 Continental Mark VII-Continental-Lincoln Town Car, Ford Motor., 1983 (advertisement), front cover, intermediate page, rear cover (Exhs. H1-H3).  
Mitsubishi Montero, Mitsubishi Motor Sales of America, 1983 (advertisement), front and back (Exh. I1-I2).  
The 1983 Trucks, Mitsubishi Motor Sales of America, 1982 (advertisement), front cover, intermediate page, rear cover (Exhs. J1-J3).  
Datsun 1980, Datsun, 1980 (advertisement), front cover, intermediate page (Exhs. K1-K2).  
1982 Oldsmobile, General Motors, 1981 (advertisement), front page, p. 5 (Exhs. L1-L3).  
1978 Oldsmobile, General Motors, 1979 (advertisement), front cover, p. 10 (Exhs. M1-M2).  
Mazda B1800 Pickup, Mazda 1978 (advertisement), front cover (Exh. N1).  
Mazda GLC Series, Mazda 1984 (advertisement), front cover (Exh. O1).  
1977 Half-Ton Trucks, Toyota, 1977 (advertisement), intermediate page (Exhs. P1-P3).  
Toyota Trucks, Toyota, 1983, (advertisement), front cover and intermediate page (Exhs. Q1-Q2).

"1984 Cars and Trucks" Toyota, 1984 (advertisement), front cover and intermediate page (Exhs. R1-R2).

"Our Cars Aren't the Same, Either," Toyota, 1973 (advertisement) front cover, intermediate page, rear cover (Exhs. S1-S3).

Ford Courier, Ford Motor Co., 1974 (advertisement), front cover, intermediate page, rear cover (Exhs. T1-T3).

1984 Ford F-Series Pickup, Ford Motor Co., 1984 (advertisement), front cover, p. 12, rear cover (Exhs. U1-U3).

1980 Ford LTD, Ford Motor Co., 1980, (advertisement), front cover, rear cover (Exhs. V1-V2).

Pickup, Volkswagen, 1982 (advertisement), front cover, intermediate page, rear cover (Exhs. W1-W3).

1980 Oldsmobile, General Motors, 1979 (advertisement), front cover, p. 11 (Exhs. X1-X3).

Promotional Photo of 1981 Oldsmobile Cutlass Supreme, General Motors, 1981 (advertisement), (Exh. Y).  
AMC/Jeep/Renault, 1984 News and Technical Information, (Press Kit), American Motors Corp., 1984 (advertisement), front cover, included press release photos, (Exhs. Z1-Z2).

1984 Dodge Auto Show, Chrysler Motors Corp., 1984 (Press Kit), front cover, included press release photos (Exhs. AA1-AA2).

Dodge '79 D-50 Pickup, Chrysler Corp., 1978 (advertisement), front cover, p. 2, rear cover (Exhs. BB1-BB3).

Chevy Trucks 1985, (advertisement), General Motors 1984, front cover, intermediate page (Exhs. CC1-CC2).

GMC 1983 S-15 Jimmy, General Motors, 1983 (advertisement), front cover, intermediate page; GMC S-15 Pickup, General Motors, 1984 (advertisement), front cover, p. 4, rear cover (Exhs. DD1-DD5).

Plymouth Imports '80, Chrysler Corp., 1979 (advertisement), front cover, p. 9, rear cover (Exhs. EE1-EE4).

Buick 1973, General Motors, 1973 (advertisement), front cover, intermediate page (Exhs. FF1-FF2).

Buick 1982, General Motors, 1982 (advertisement), front cover, p. 11 (Exhs. GG1-GG2).

Isuzu Trooper 4-Wheel Drive, Isuzu Motors, 1984 (advertisement), front cover, p. 2, p. 7, rear cover (Exhs. HH1-HH4).

1981 Dodge, Chrysler Corp., 1980 (advertisement), front cover, p. 3, rear cover (Exhs. II1-II4).

Mazda 1984 Truck Series, Mazda, 1984 (advertisement), front cover, pp. 8-9, rear cover (Exhs. JJ1-JJ3).

1983 Ram Tough Dodge Trucks, Pickups, Chrysler Corp., 1982 (advertisement), front cover, intermediate pages, rear cover (Exhs. KK1-KK18).

Primary Examiner—James M. Gandy

### DESCRIPTION

FIG. 1 is a top front perspective view of a combined document stand and storage case showing my new design with the easel member and storage compartment cover in a raised position;

FIG. 2 is a rear perspective view with the easel member



**Des. 299,019**

Page 2

---

in a raised position and the storage compartment cover closed;

FIG. 3 is a bottom perspective with respect to FIG. 1;

FIG. 4 is a side elevational view with the easel member lowered and the storage compartment cover closed, the opposite side being a mirror image thereof;

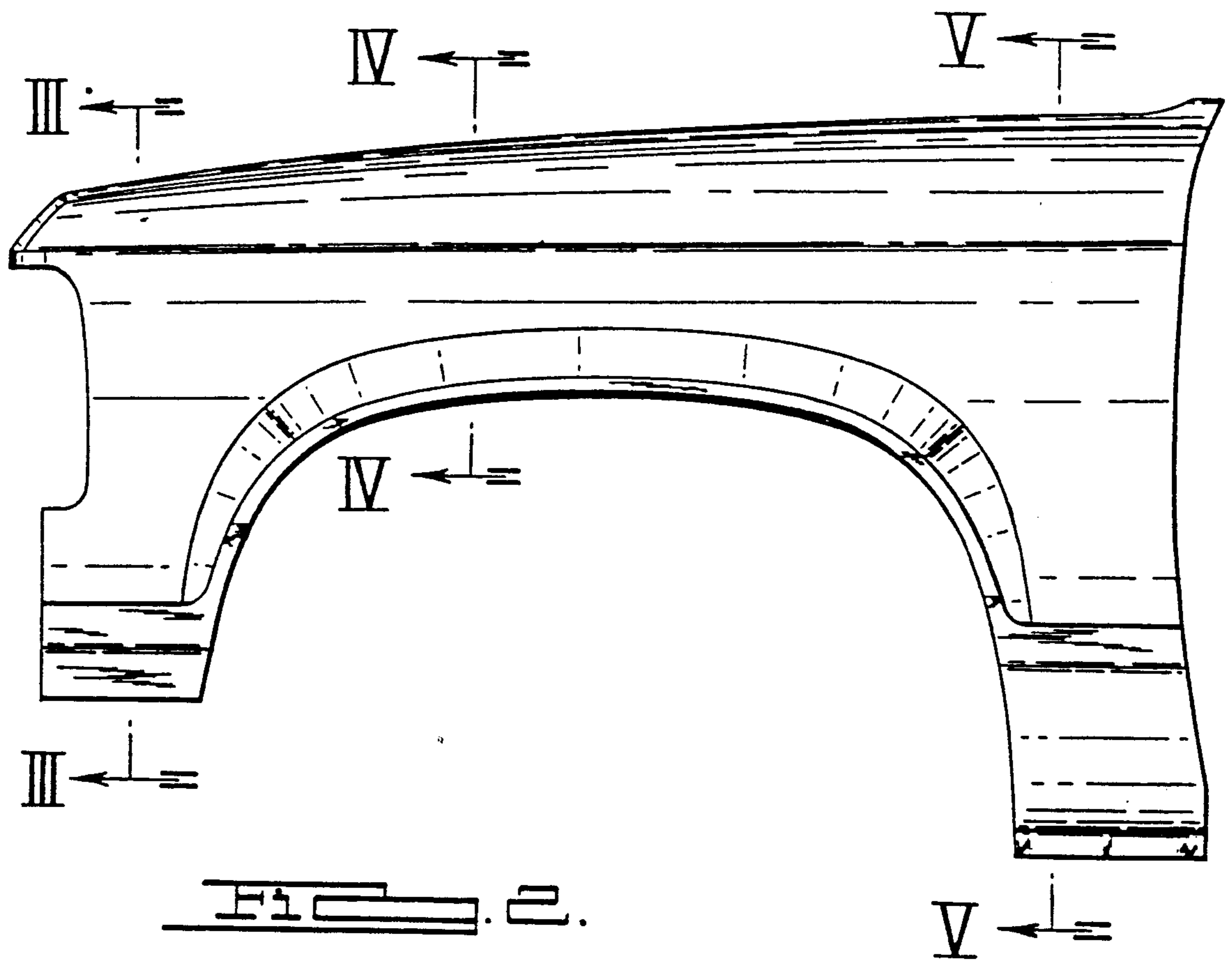
FIG. 5 is a top plan view of FIG. 4;

FIG. 6 is a bottom plan view of FIG. 4;

FIG. 7 is a front elevational view of FIG. 4;

FIG. 8 is a rear elevational view of FIG. 4; and

FIG. 9 is a bottom plan view in an exploded condition showing the base separated from the storage compartment and easel portion.



**DEPARTMENT OF COMMERCE  
UNITED STATES PATENT AND TRADEMARK OFFICE**

---

MISSING PAGE(S)

PATENT NUMBER **BD 299,019** FOR THE ISSUE DATE **08/13/1991** HAS BEEN  
SCANNED/LOADED, BUT WITH MISSING PAGES(S). UPON RECEIPT OF  
THE MISSING PAGE(S), THE ENTIRE DOCUMENT WILL BE RESCANNED.

THIS NOTICE IS FOR THE MISSING PAGE(S) CONTAINING:

**All Claims**

---