

[54] BUMPER GUARD

1440364 4/1966 France 293/143

[75] Inventor: Firlle J. Wilkins, Laverne, Calif.

Primary Examiner—James M. Gandy
Attorney, Agent, or Firm—Nilsson, Robbins, Dalgarn,
Berliner, Carson & Wurst

[73] Assignee: Per-Lux, Inc., Covina, Calif.

[**] Term: 14 Years

[57] CLAIM

[21] Appl. No.: 766,383

The ornamental design for a bumper guard, as shown.

[22] Filed: Aug. 16, 1985

DESCRIPTION

[52] U.S. Cl. D12/167

[58] Field of Search D12/167; 293/142, 143

FIG. 1 is a front elevational view of a bumper guard showing my design;

FIG. 2 is a right side elevational view thereof;

FIG. 3 is a rear elevational view thereof;

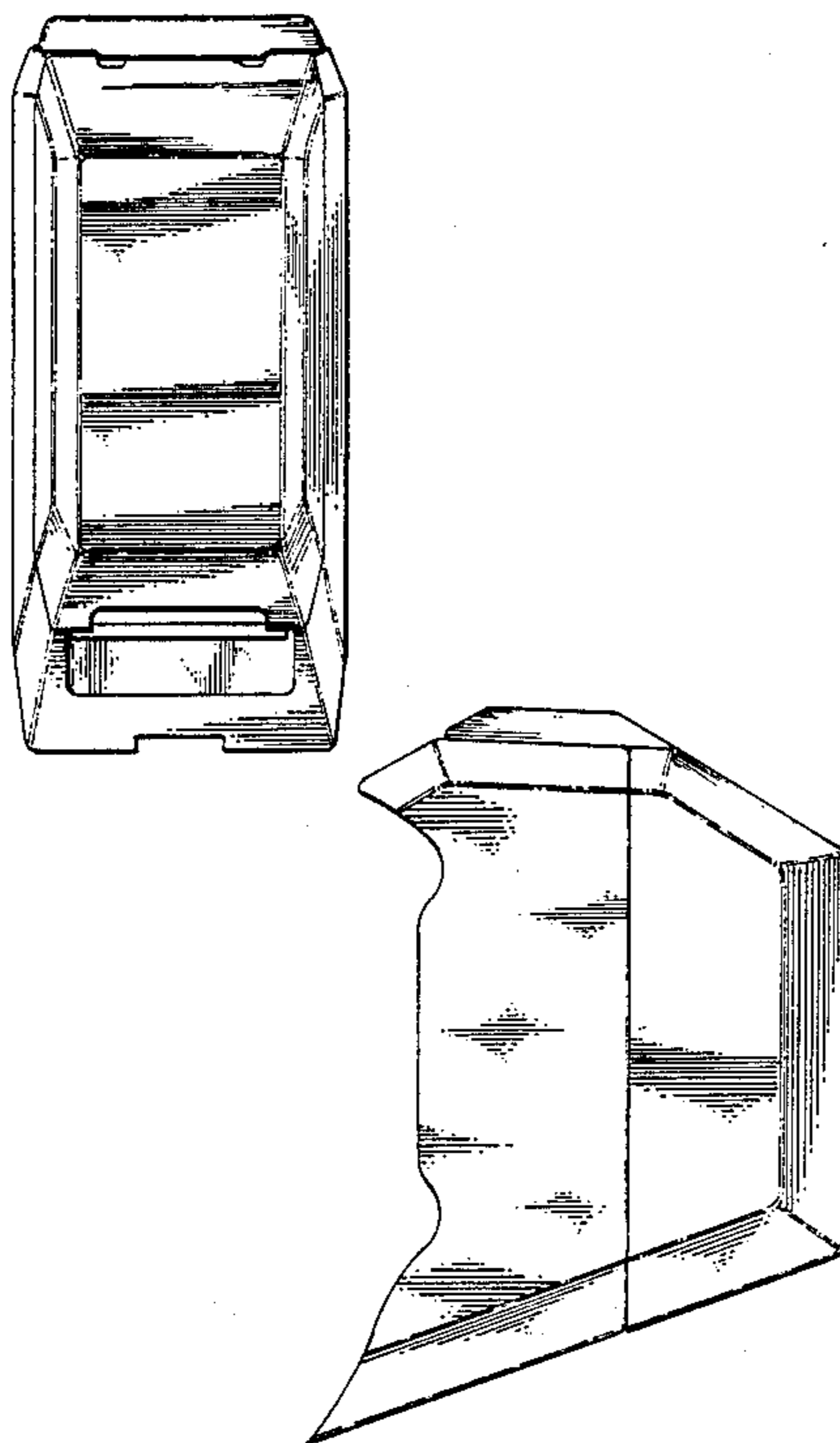
FIG. 4 is a top plan view thereof;

FIG. 5 is a bottom plan view thereof.

[56] References Cited

FOREIGN PATENT DOCUMENTS

3046305 7/1982 Fed. Rep. of Germany 293/143



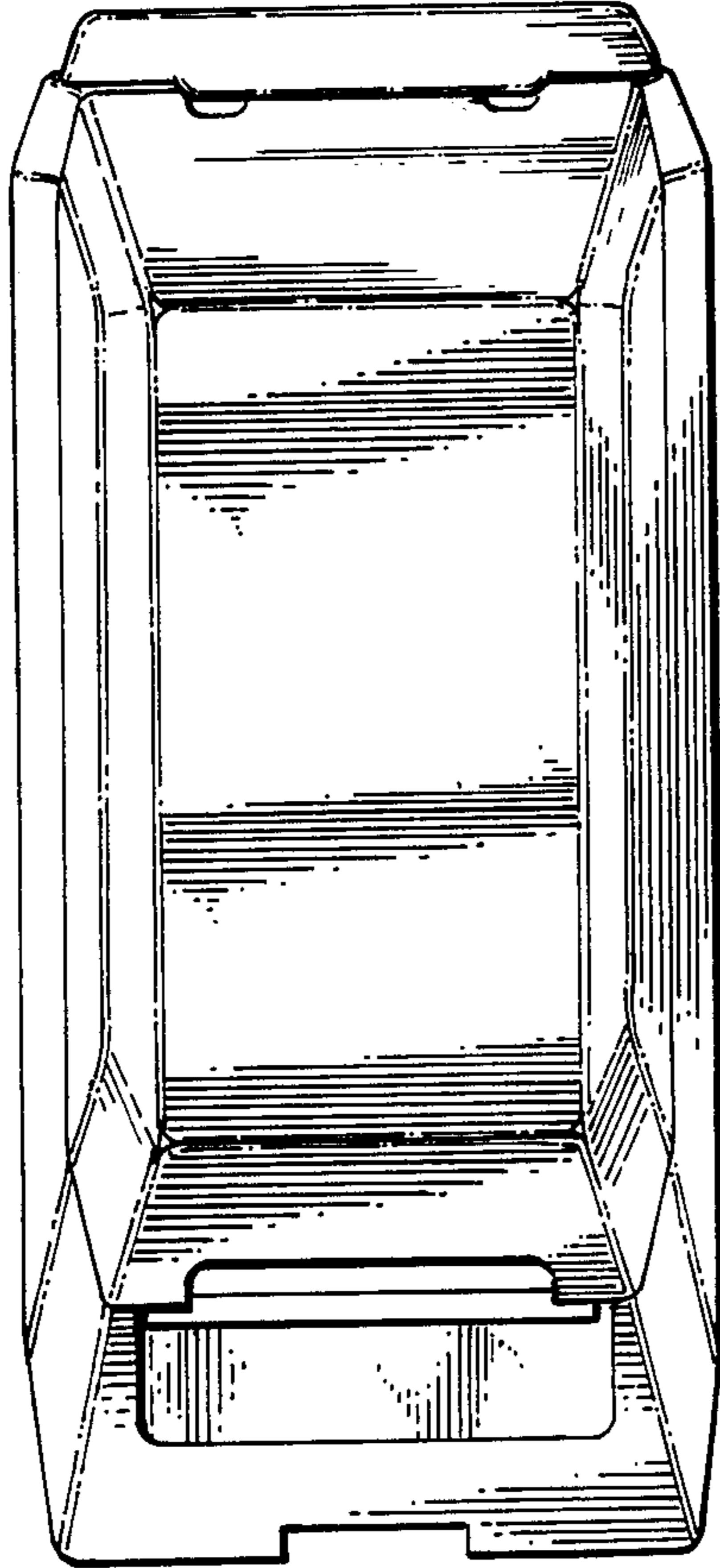
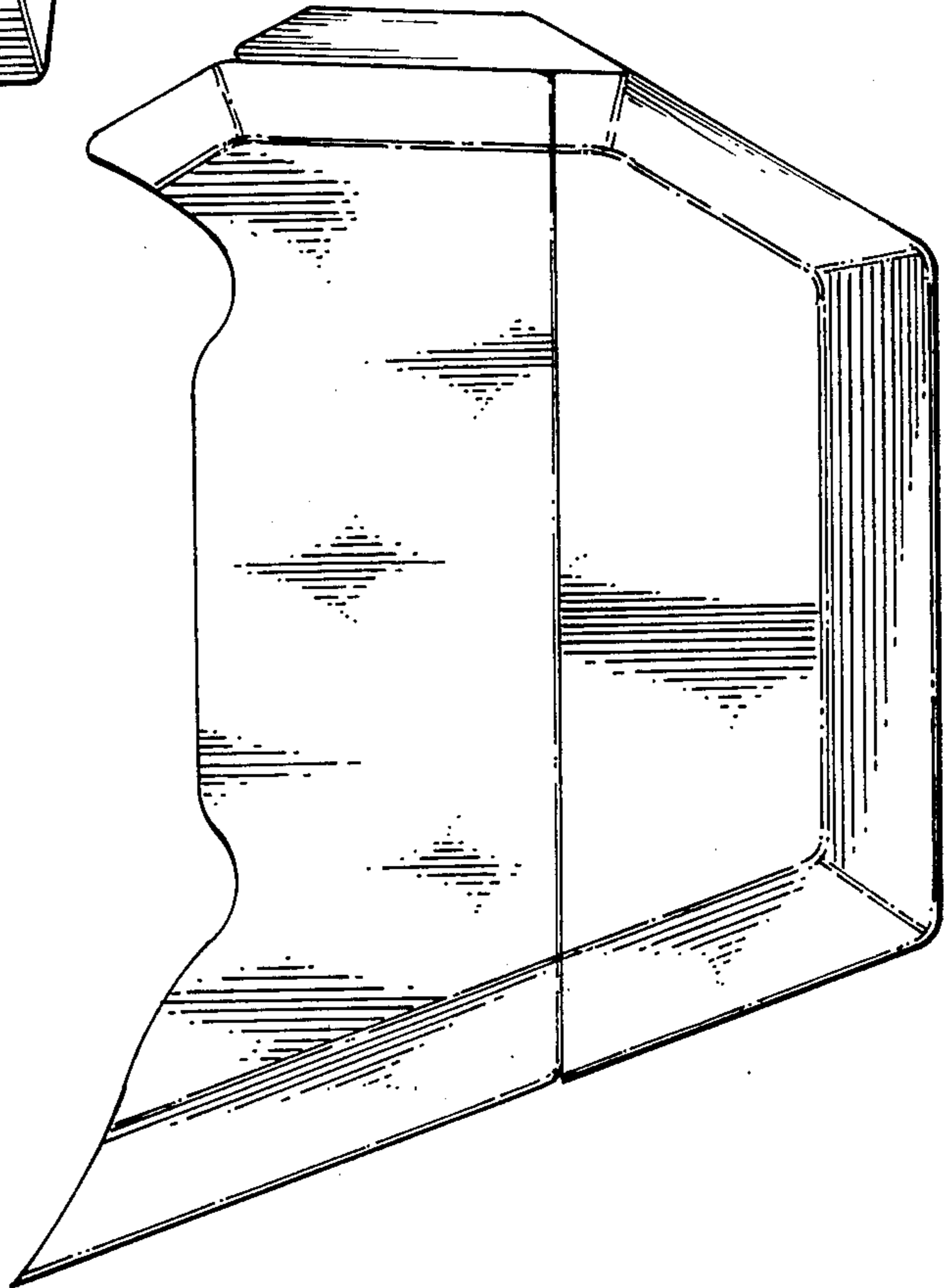


FIG. 1

FIG. 2



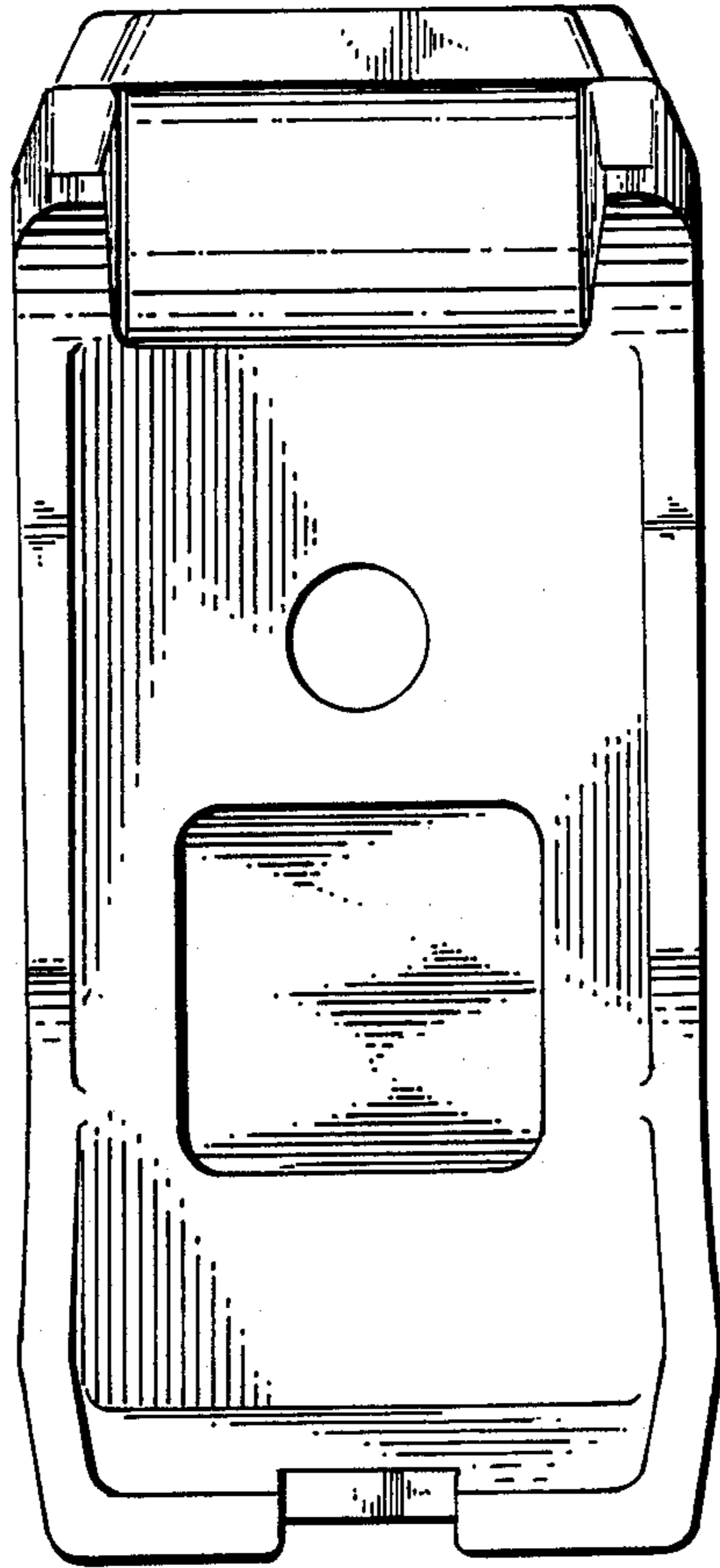


FIG. 3

FIG. 4

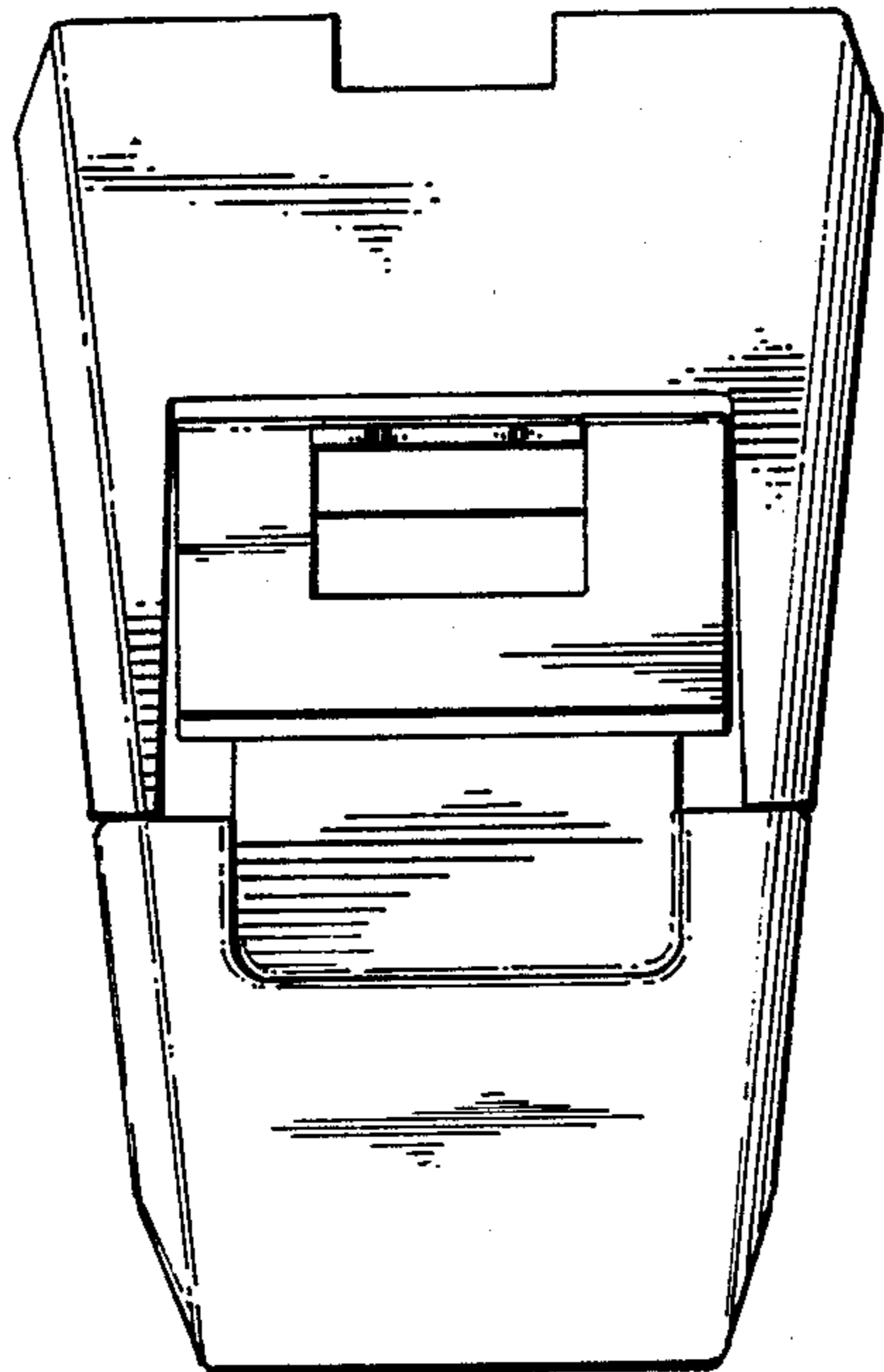
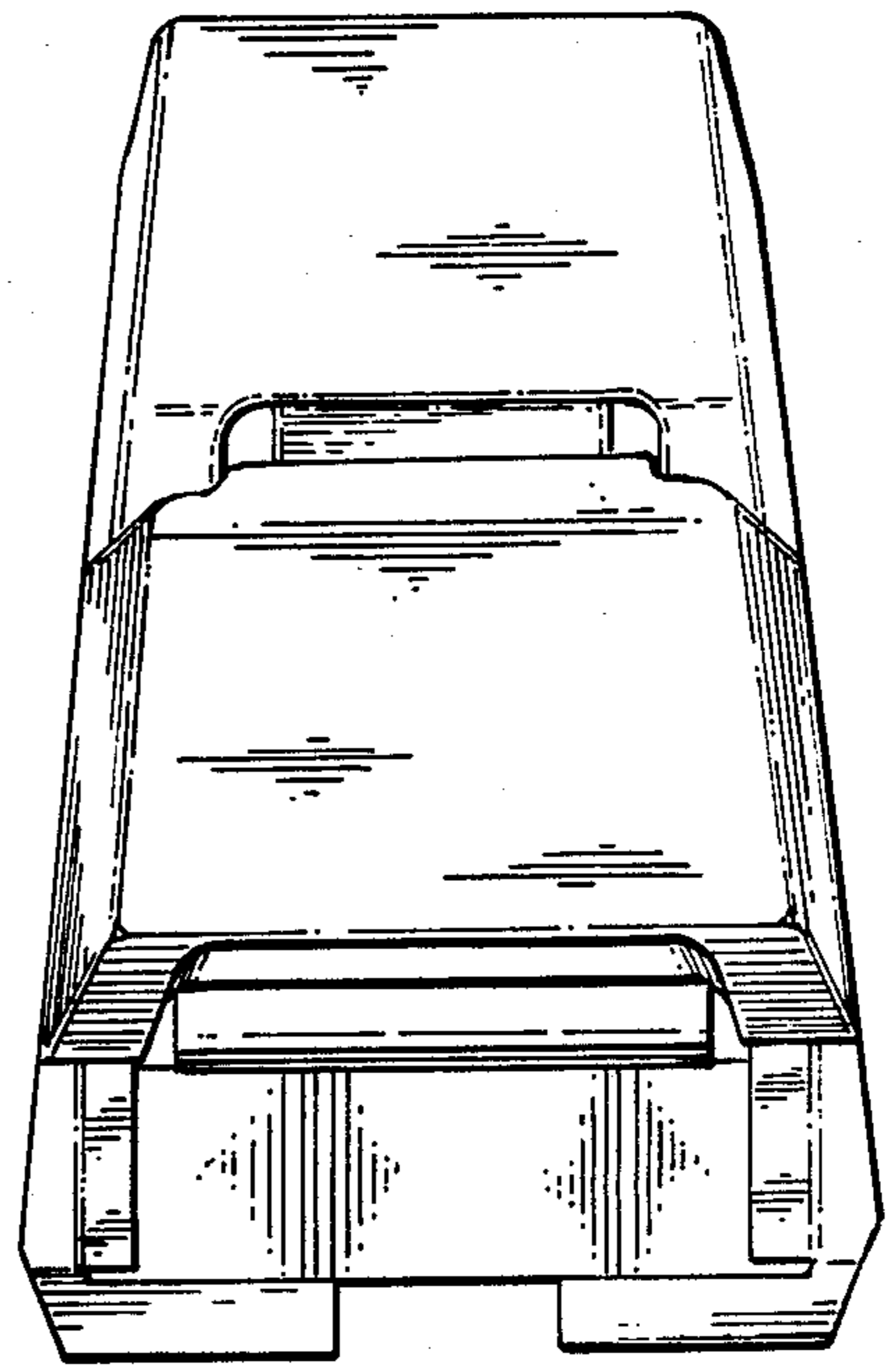


FIG. 5