

# United States Patent [19]

Wall

[11] Patent Number: **Des. 299,010**

[45] Date of Patent: **\*\* Dec. 20, 1988**

[54] CUP LID

[76] Inventor: **Dean H. Wall, 7374 S. 2200 West,  
West Jordan, Utah 84084**

[\*\*] Term: **14 Years**

[21] Appl. No.: **785,975**

[22] Filed: **Oct. 10, 1985**

[52] U.S. Cl. .... **D9/454; D9/435**

[58] Field of Search ..... **D9/439, 435, 452, 454;  
D7/40; 215/200, 211, 215, 216, 354; 220/306,  
307**

[56] **References Cited**

### U.S. PATENT DOCUMENTS

D. 248,376 7/1978 Allen et al. .... D9/454  
D. 256,558 8/1980 Smith ..... D9/454

D. 286,508 11/1986 Tilden ..... D9/435  
D. 287,469 12/1986 Weinberger ..... D9/435  
D. 287,919 1/1987 Clements ..... D9/454 X  
1,049,625 1/1913 Weissenthanner ..... 215/354  
3,964,635 6/1976 Ludder ..... 220/306

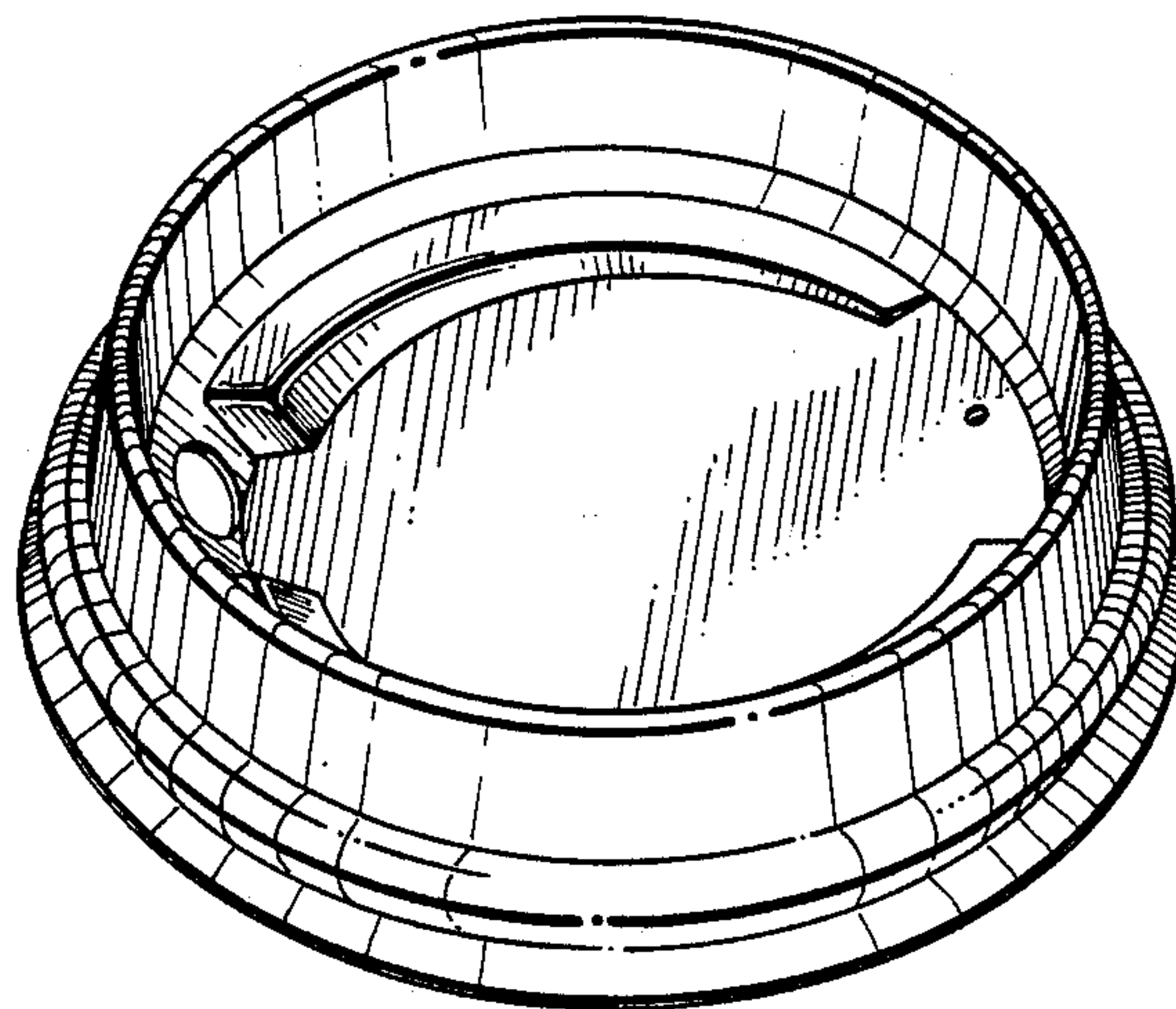
*Primary Examiner*—Bruce W. Dunkins

### [57] CLAIM

The ornamental design for a cup lid, as shown and described.

### DESCRIPTION

FIG. 1 is a perspective view of a cup lid showing my design;  
FIG. 2 is a top plan view on a reduced scale;  
FIG. 3 is a side elevational view, the opposite side being the same in appearance; and  
FIG. 4 is a bottom plan view thereof.



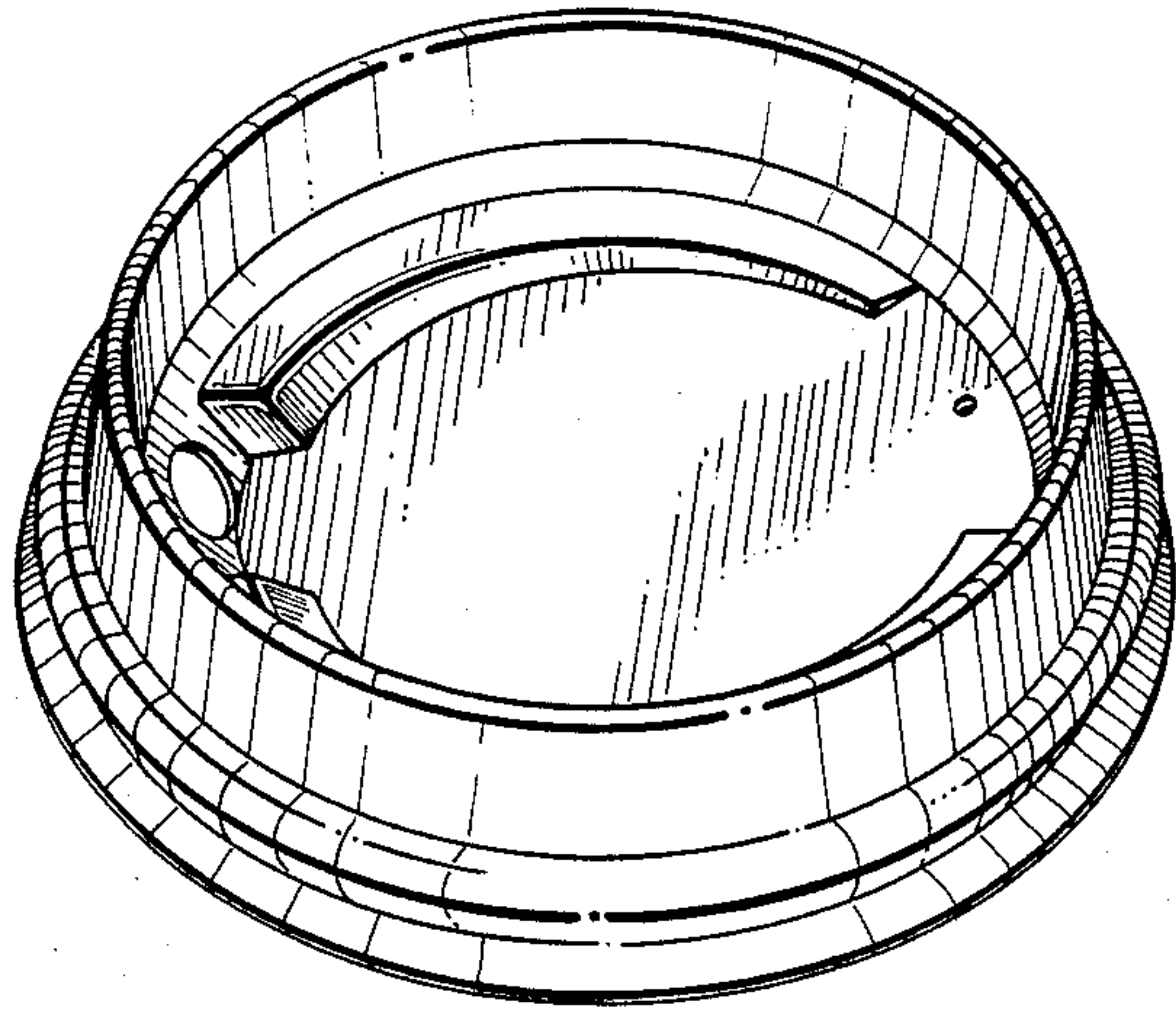


FIG. 1

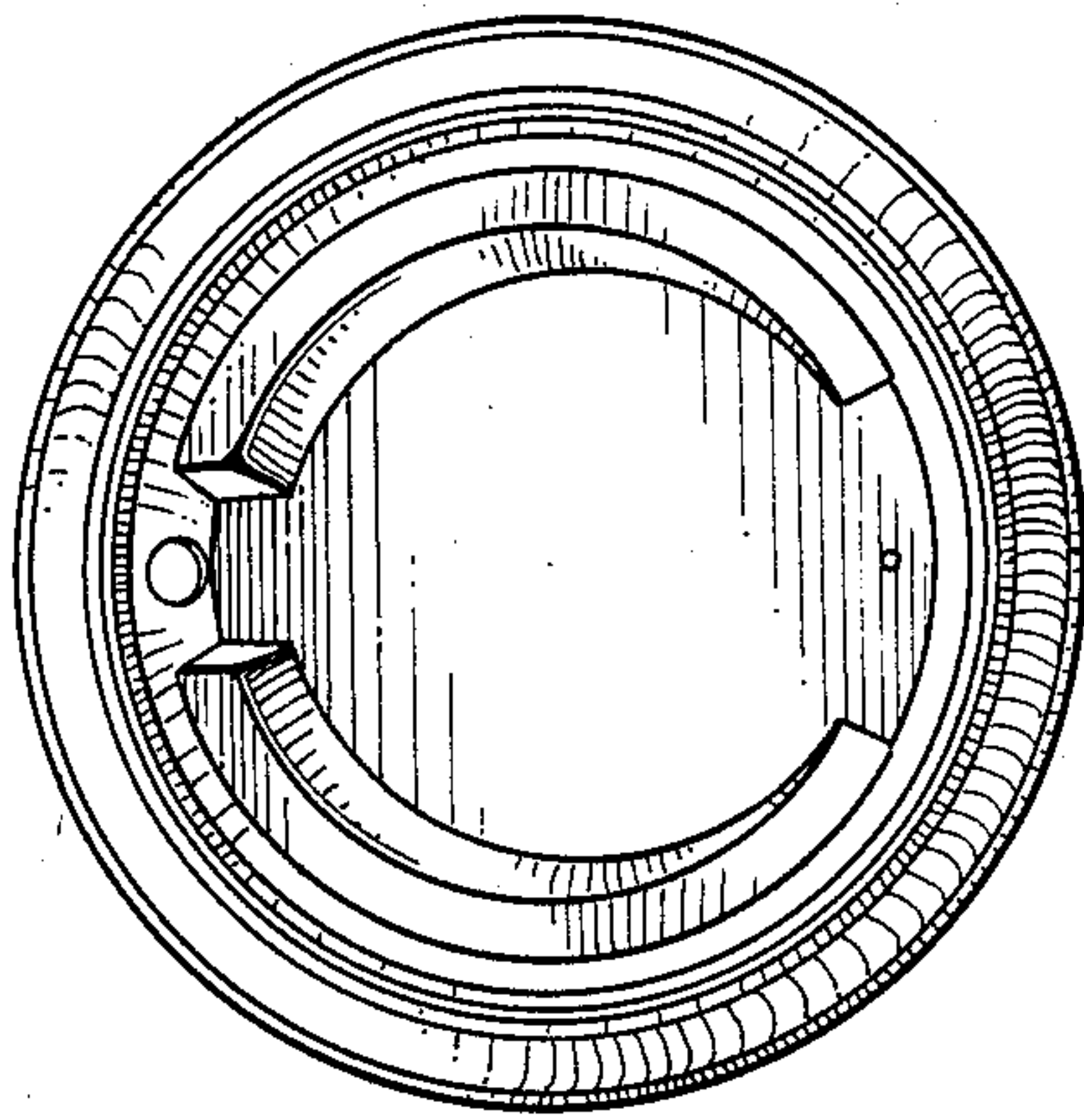


FIG. 2



FIG. 3

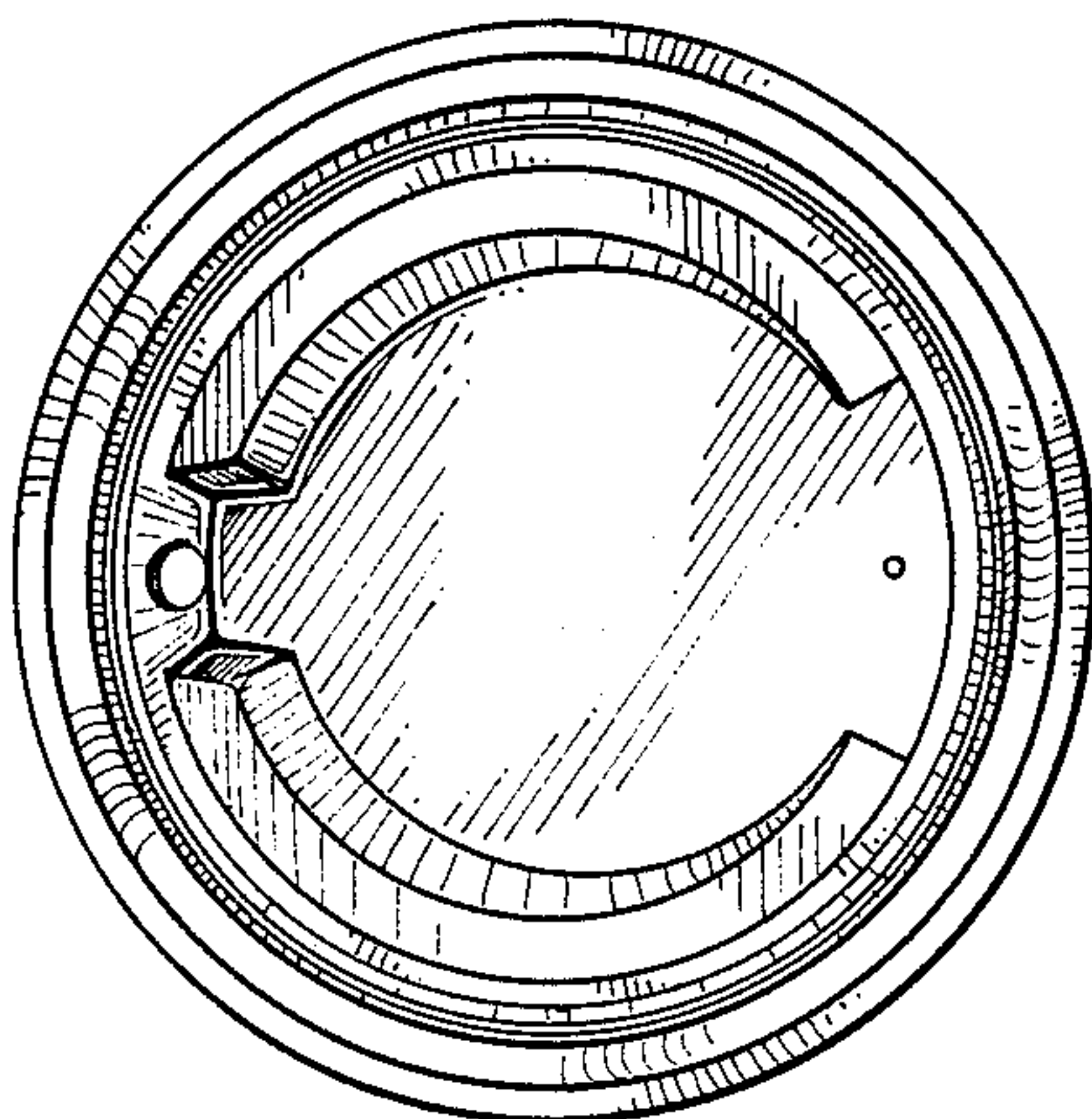


FIG. 4