

United States Patent [19]

Näslund

[11] Patent Number: **Des. 299,008**

[45] Date of Patent: **** Dec. 20, 1988**

[54] BAG CLIP

[76] Inventor: **Jan I. Näslund, Vassvägen 21, S-141
39 Huddinge, Sweden**

[**] Term: **14 Years**

[21] Appl. No.: **852,894**

[22] Filed: **Apr. 15, 1986**

[52] U.S. Cl. **D9/443; D8/395;
D9/434**

[58] Field of Search **D8/382, 394-396;
D9/443, 434; D28/39; 132/48 R; 24/489, 499,
511, 30.5 R, 30.5 P**

[56] **References Cited**

U.S. PATENT DOCUMENTS

- D. 218,515 8/1970 Tomaiuolo D8/395
- D. 275,372 9/1984 Price et al. D9/443
- D. 276,596 12/1984 Kisha D9/443

- 1,488,864 4/1924 Canaday 24/305 R
- 1,990,397 2/1935 Barnette 24/511
- 2,850,022 9/1958 Fracter 132/48 R
- 3,266,711 8/1966 Song 24/30.5 R
- 4,296,529 10/1981 Brown 24/30.5 P

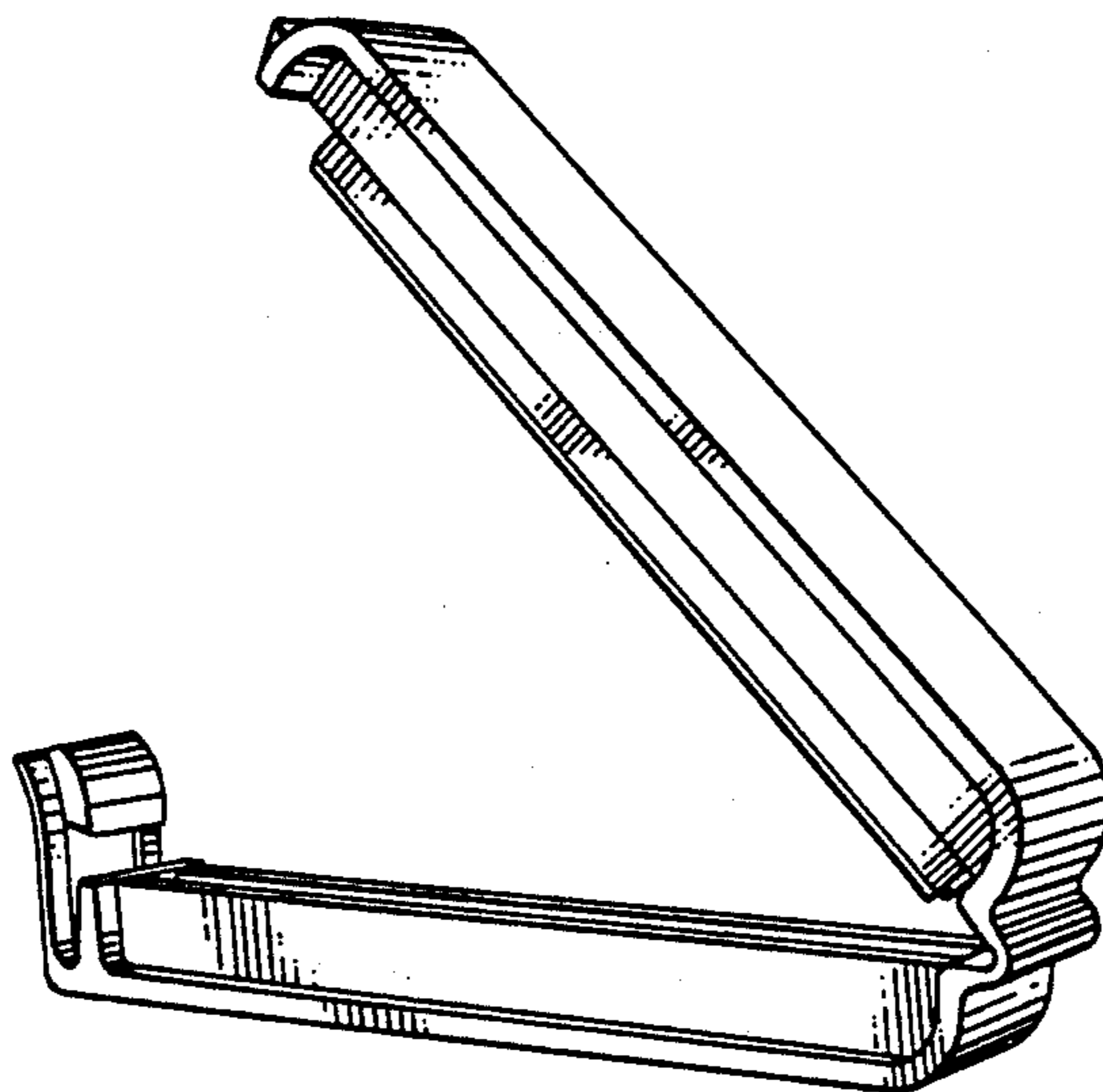
Primary Examiner—B. J. Bullock
Attorney, Agent, or Firm—Larson and Taylor

[57] CLAIM

The ornamental design for a bag clip, as shown and described.

DESCRIPTION

FIG. 1 is a rear perspective view of a bag clip showing my new design;
FIG. 2 is a right side elevational view thereof, the left side being a mirror image;
FIG. 3 is a front perspective view thereof;
FIG. 4 is a front elevational view thereof;
FIG. 5 is a rear elevational view thereof.
The bottom is plain and unornamented.



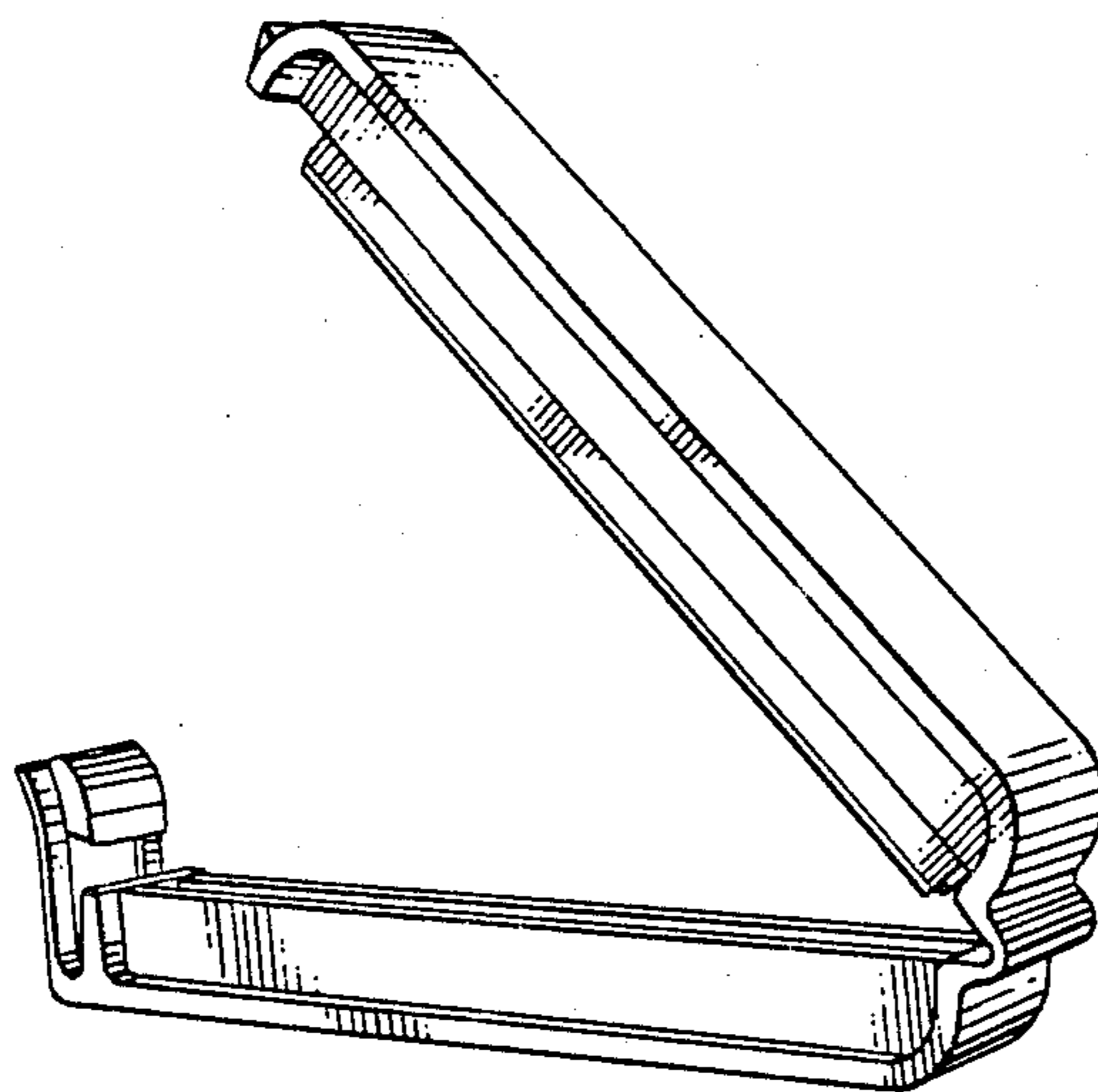


FIG. 1



FIG. 5

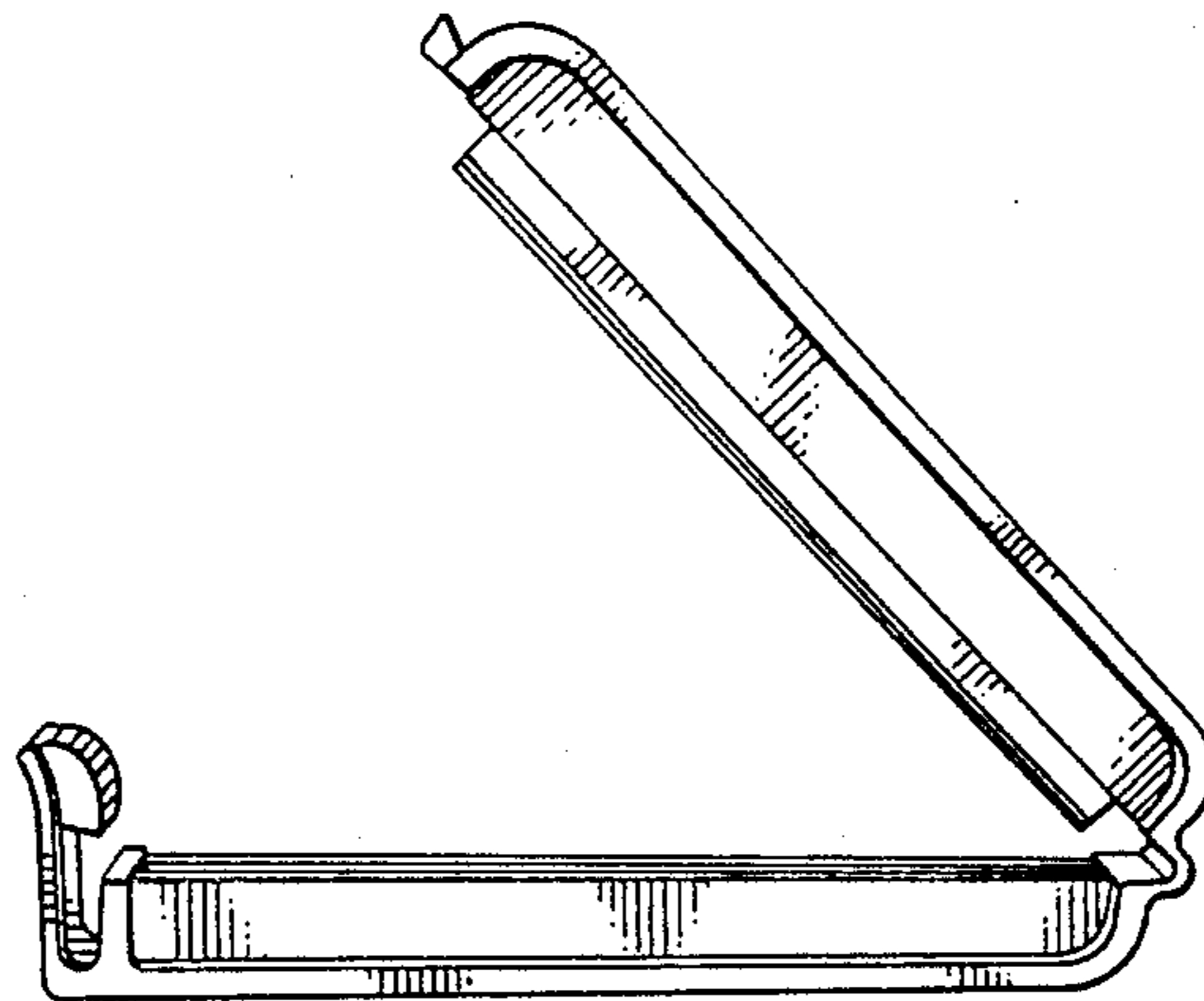


FIG. 2

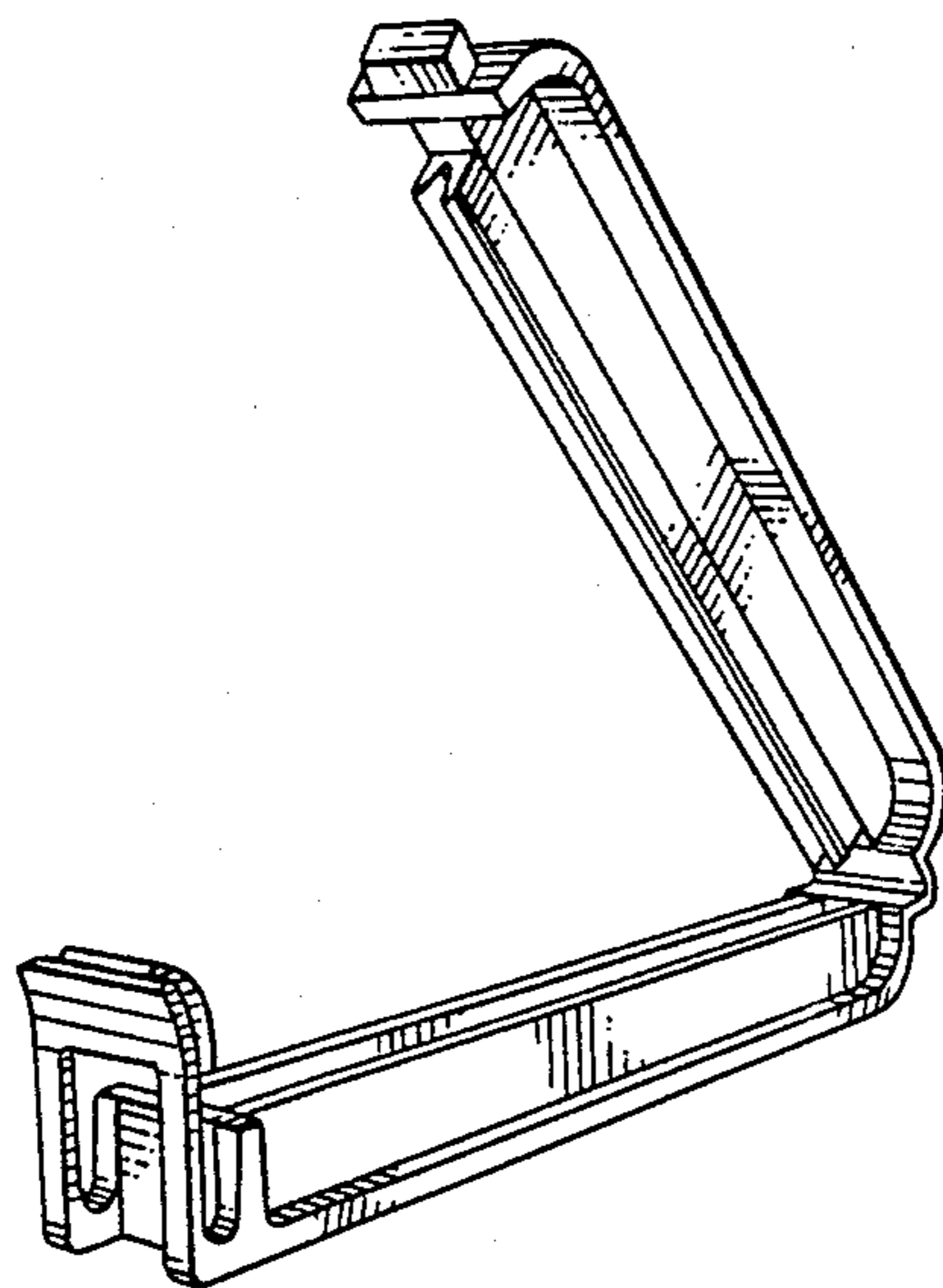


FIG. 3

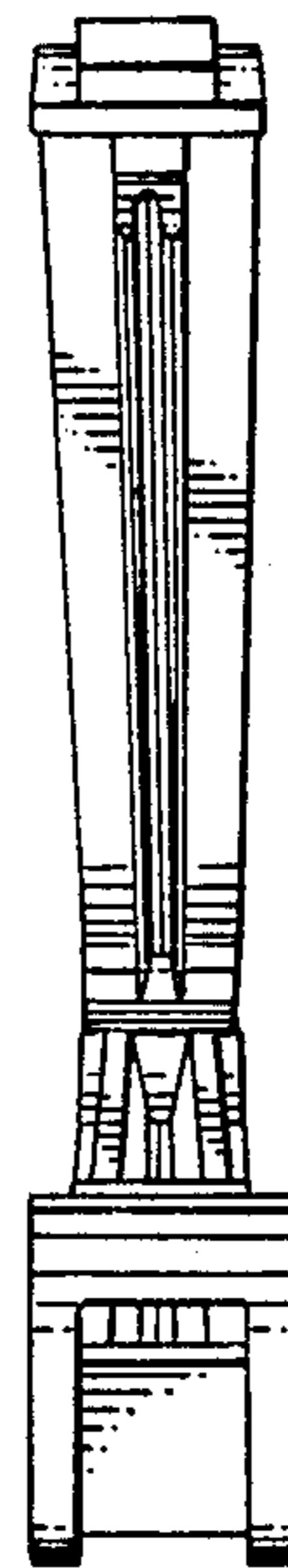


FIG. 4