

United States Patent [19]

Yoshinaga

[11] Patent Number: **Des. 299,000**

[45] Date of Patent: **** Dec. 20, 1988**

[54] **HAND-HELD PIEZO ELECTRIC TORCH**

[75] Inventor: **Sadao Yoshinaga, Ichikawa, Japan**

[73] Assignee: **Yoshinaga Prince Company Limited, Tokyo, Japan**

[**] Term: **14 Years**

[21] Appl. No.: **756,764**

[22] Filed: **Jul. 18, 1985**

[52] U.S. Cl. **D8/30**

[58] Field of Search **D8/30; 431/142, 143, 431/344; 137/320, 322; 62/45; 239/146, 302**

[56] **References Cited**

U.S. PATENT DOCUMENTS

D. 224,505 8/1972 Baranowski, Jr. **D8/30**

D. 285,897 9/1986 Giles et al. **D8/30**

Primary Examiner—Susan J. Lucas
Attorney, Agent, or Firm—Abelman Frayne Rezac & Schwab

[57] **CLAIM**

The ornamental design for hand-held piezo electric torch, as shown.

DESCRIPTION

FIG. 1 is a top, front, right side perspective view of a hand-held piezo electric torch showing my new design; FIG. 2 is a right side elevational view thereof; FIG. 3 is a rear elevational view thereof; FIG. 4 is a front elevational view thereof; FIG. 5 is a left side elevational view thereof; FIG. 6 is a top plan view thereof.

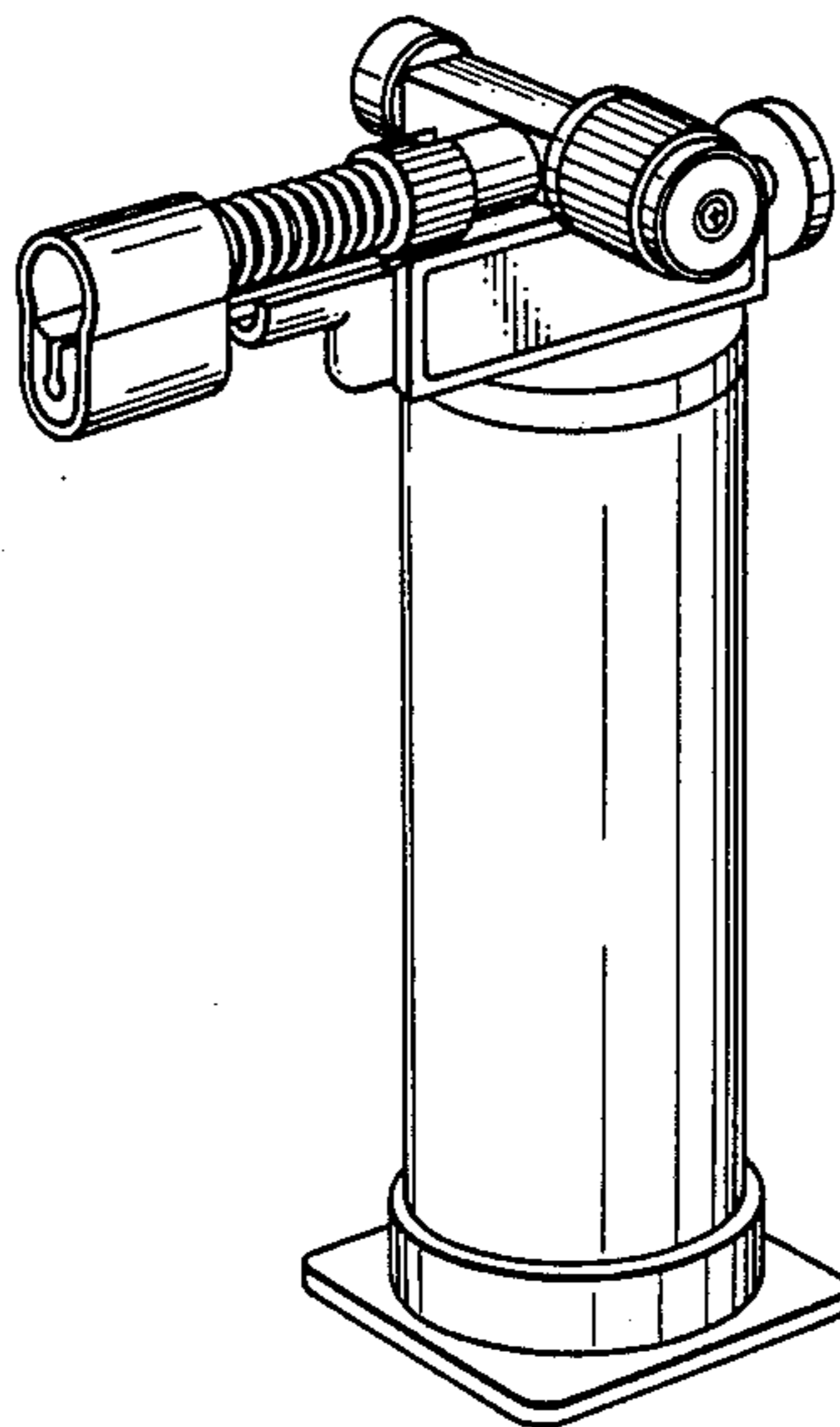


FIG. 1

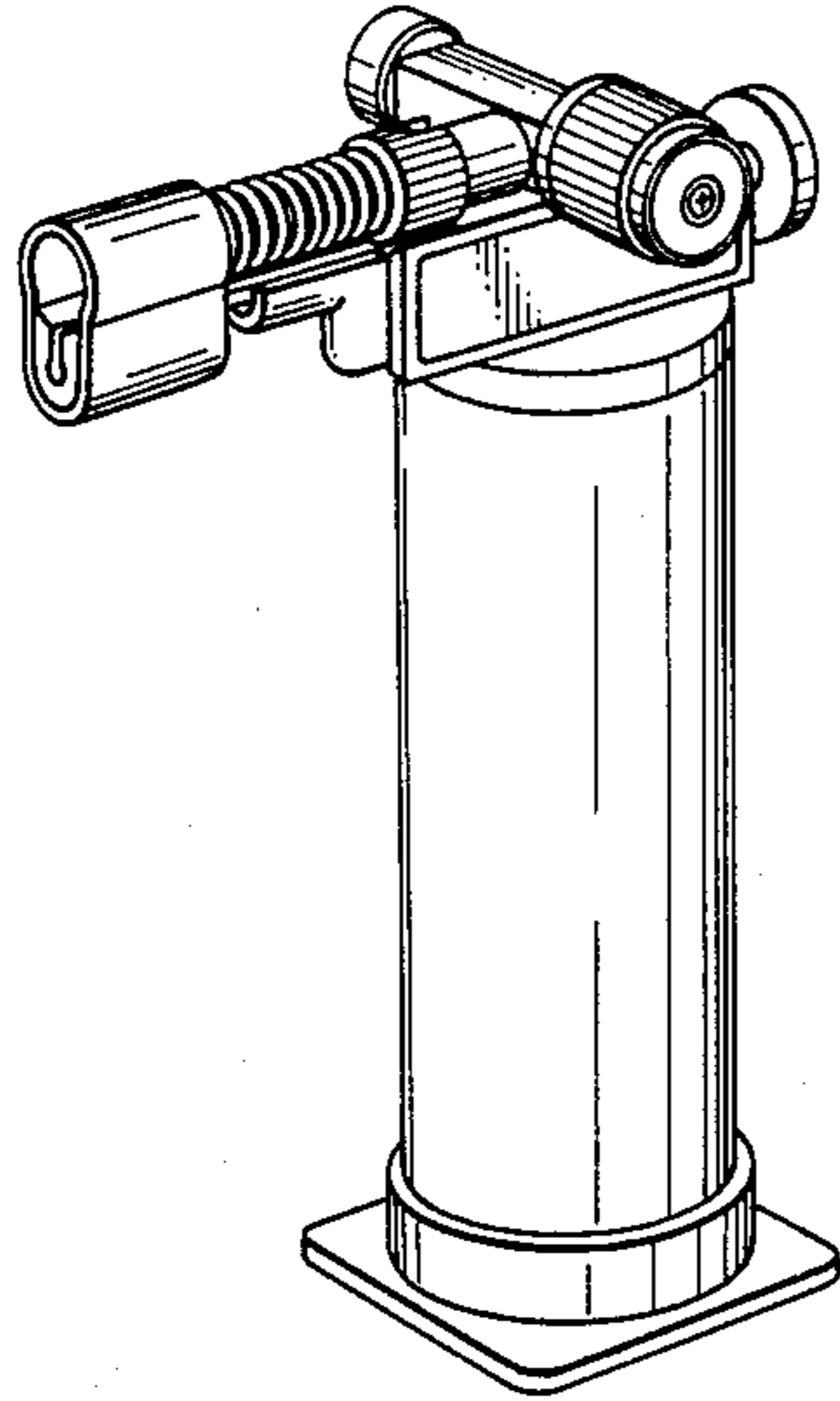


FIG. 2

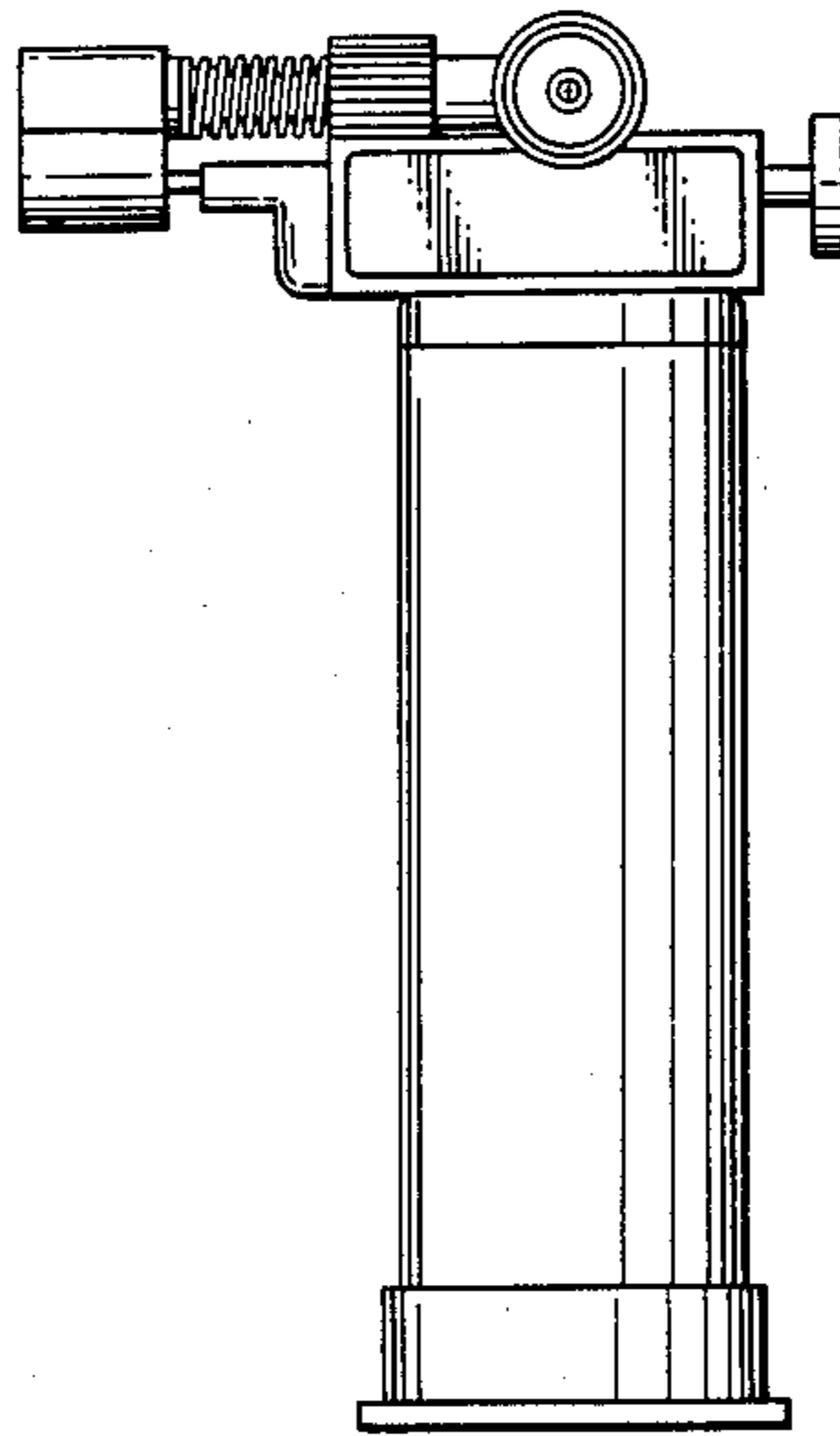


FIG. 3

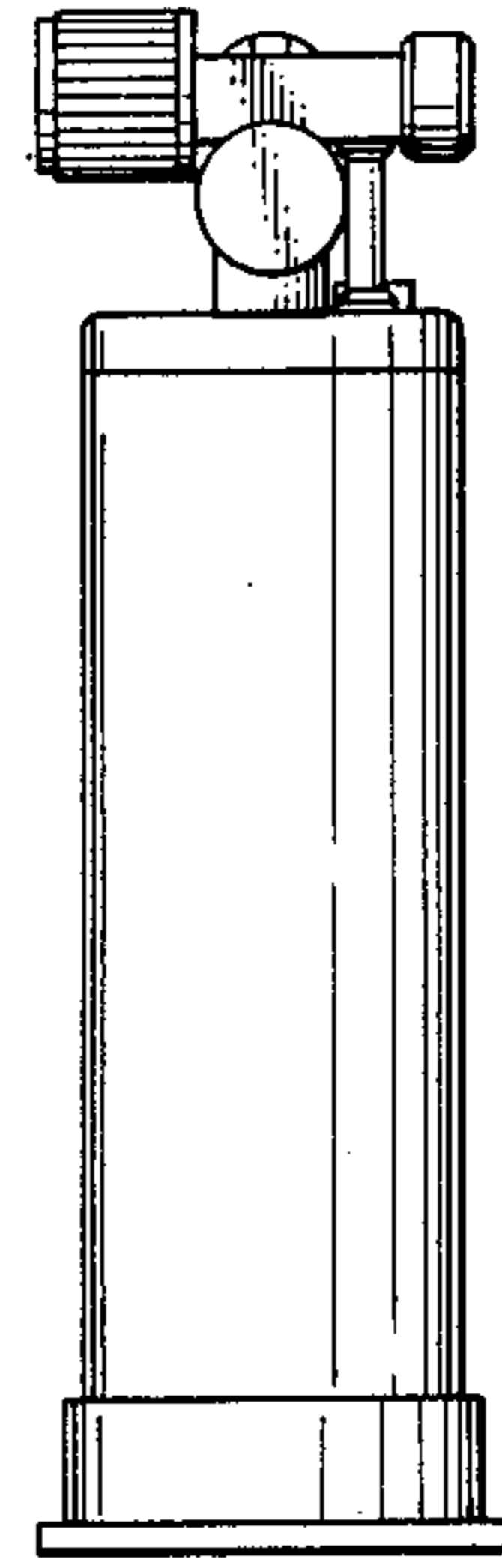


FIG. 4

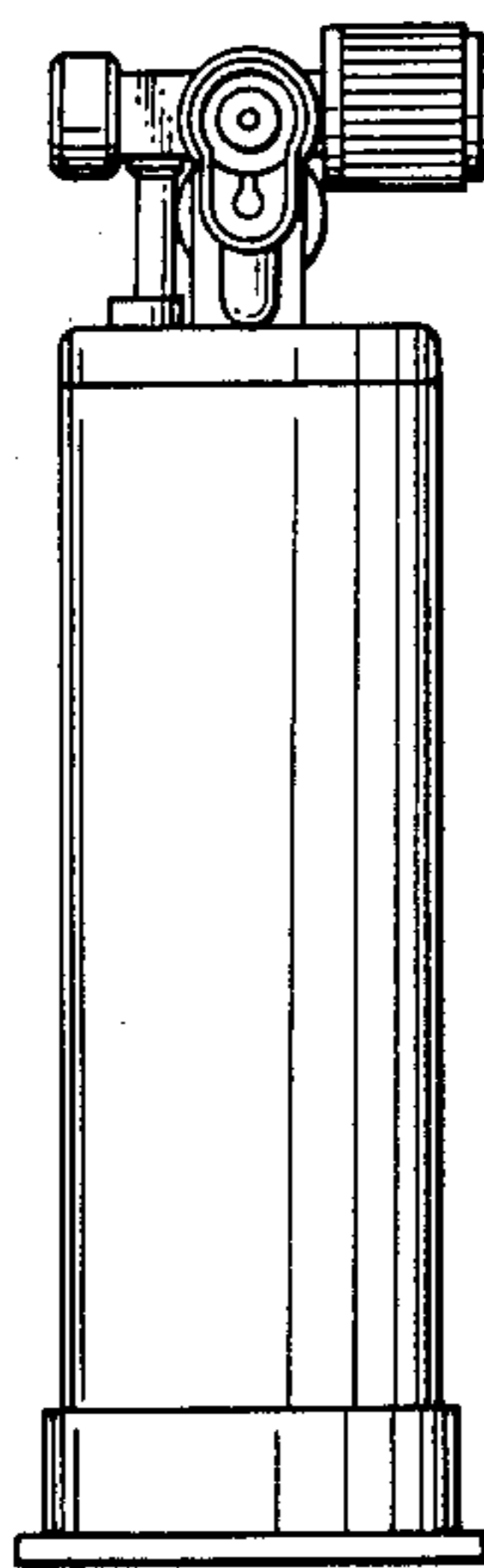


FIG. 5

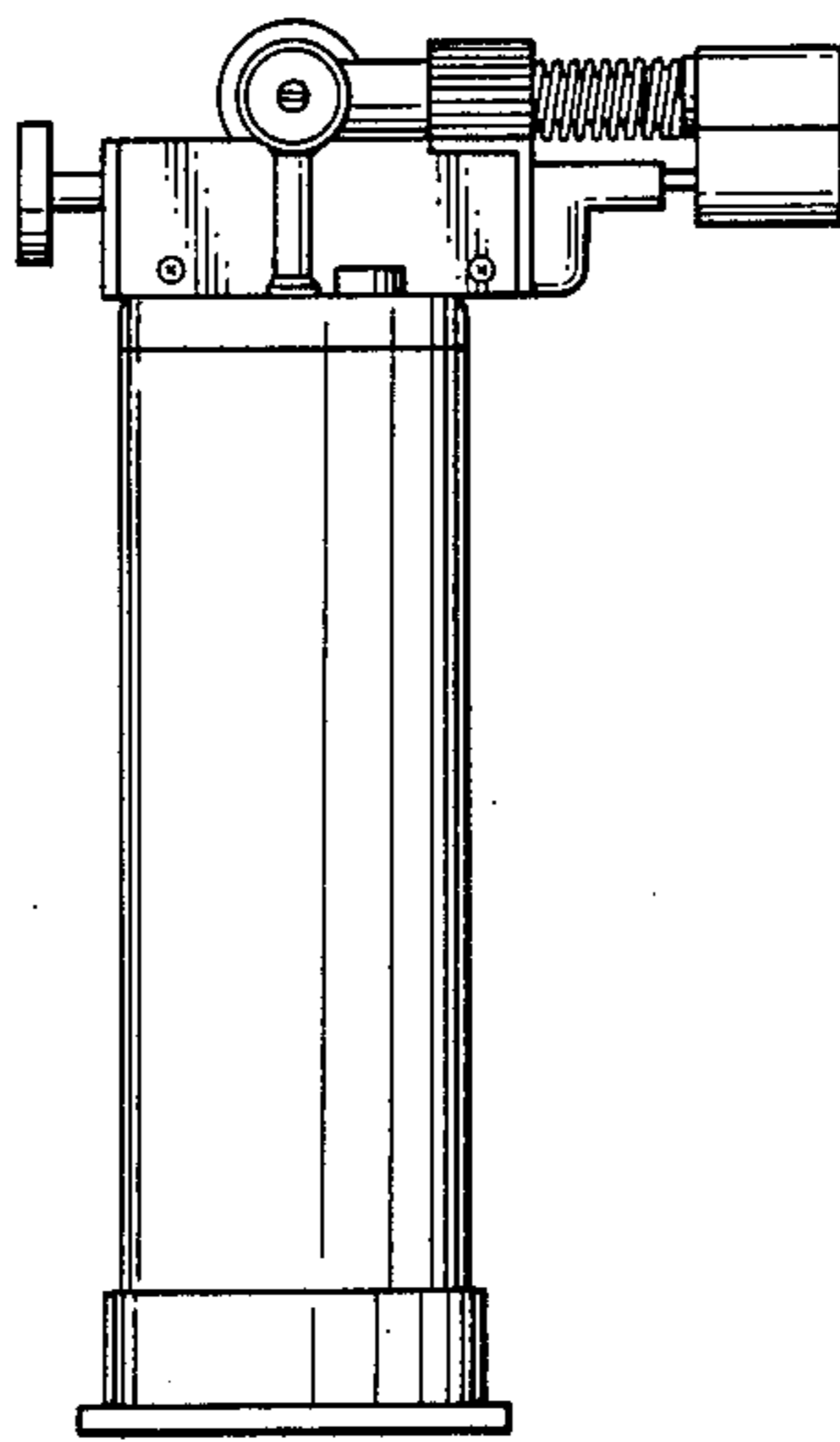


FIG. 6

