

[54] **SHOWER CADDY**

[75] **Inventor: John P. Chap, Lemont, Ill.**

[73] **Assignee: Selfix, Inc., Chicago, Ill.**

[ \* ] **Notice:** The portion of the term of this patent subsequent to Oct. 13, 2001 has been disclaimed.

[\*\*] **Term: 14 Years**

[21] **Appl. No.: 778,924**

[22] **Filed: Sep. 23, 1985**

[52] **U.S. Cl. .... D6/525**

[58] **Field of Search .... D6/512-514,  
D6/524-525; 211/88, 113, 87, 90, 133, 128,  
112-113, 126, 135, 71, 74-75, 13, 60, 153, 106;  
206/581; 108/25, 27-29, 30, 42, 50, 59, 152;  
248/317, 309, 339-340**

[56] **References Cited**

**U.S. PATENT DOCUMENTS**

D. 288,510 3/1987 Shames et al. .... D6/525  
D. 292,256 10/1987 Chap ..... D6/525

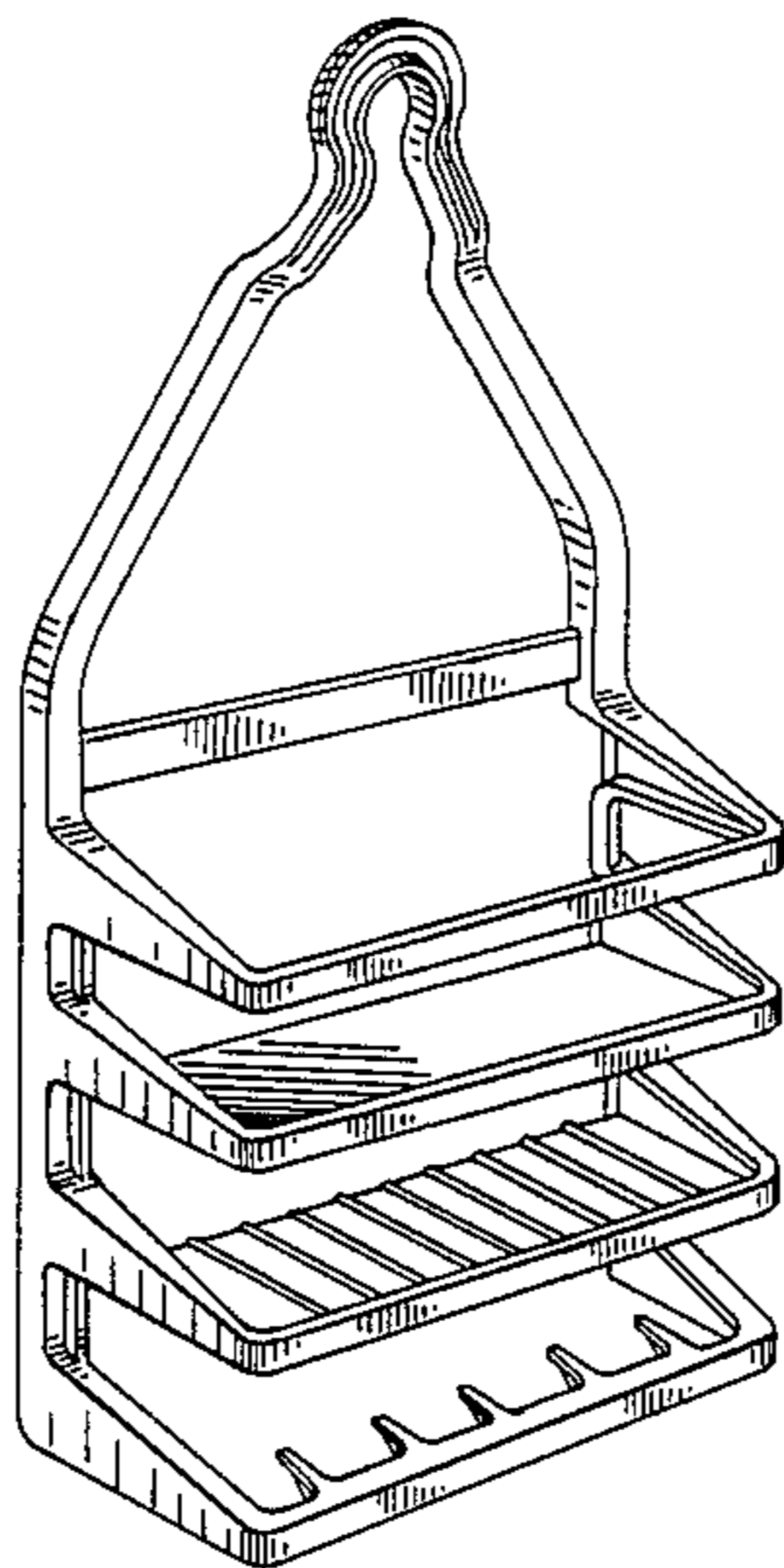
*Primary Examiner*—Wallace R. Burke  
*Assistant Examiner*—Brian N. Vinson  
*Attorney, Agent, or Firm*—Dressler, Goldsmith, Shore,  
Sutker & Milnamow, Ltd.

[57] **CLAIM**

The ornamental design for a shower caddy, substantially as shown and described.

**DESCRIPTION**

FIG. 1 is a top, front perspective view of a shower caddy, showing my new design;  
FIG. 2 is a front elevational view thereof;  
FIG. 3 is a rear elevational view thereof;  
FIG. 4 is a side elevational view thereof;  
FIG. 5 is a top plan view thereof; and  
FIG. 6 is a bottom plan view thereof.



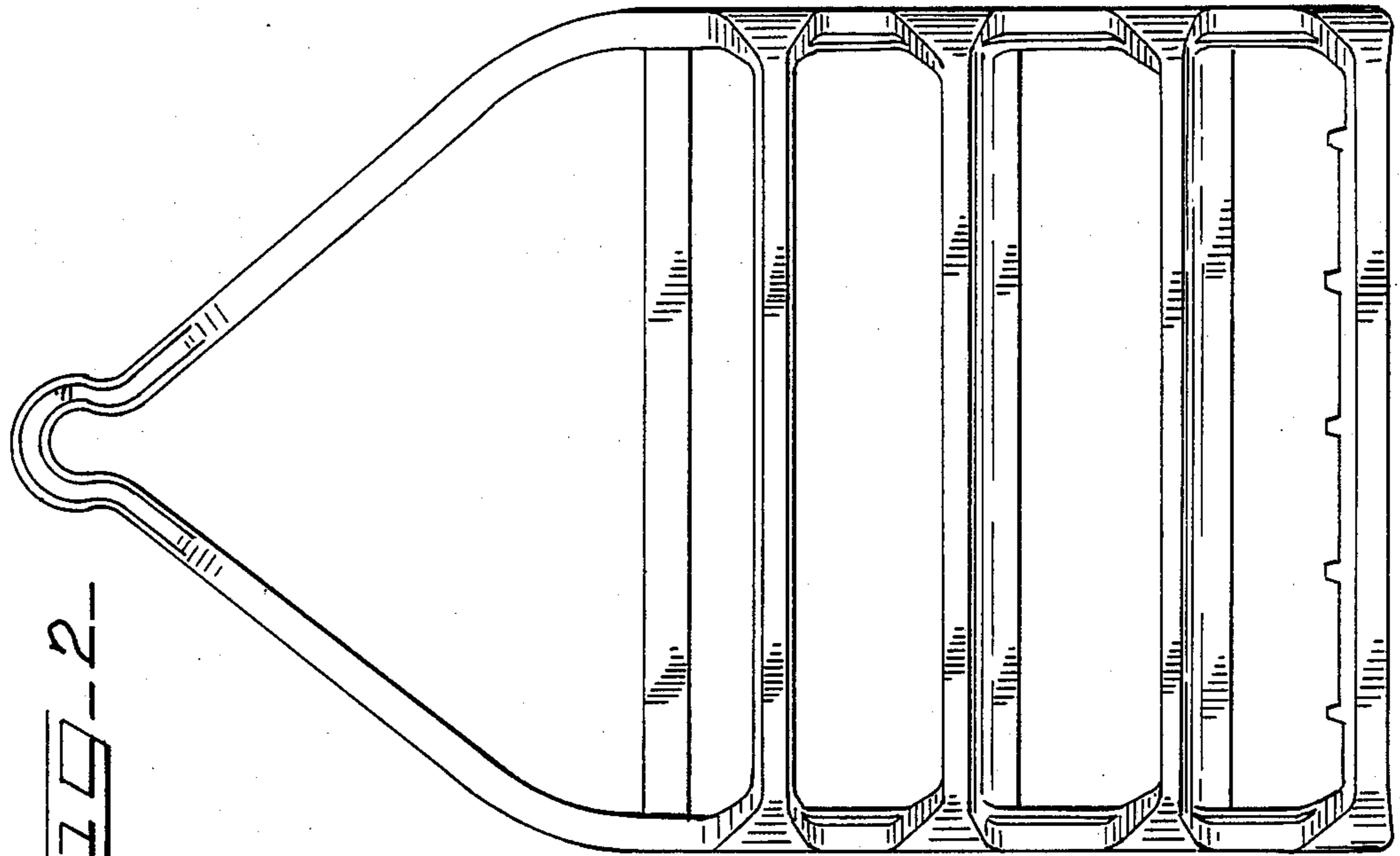


FIG-2-

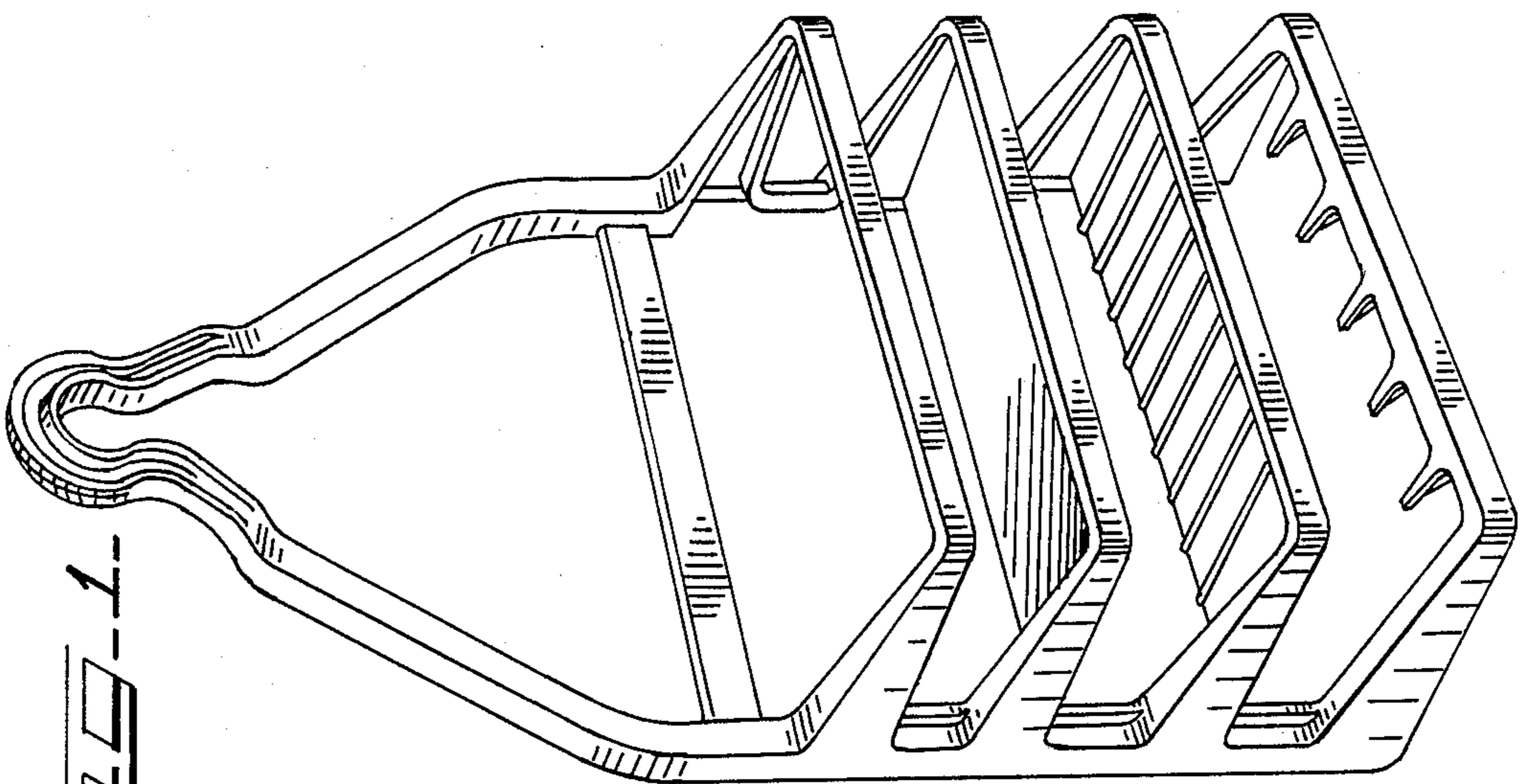


FIG-1-

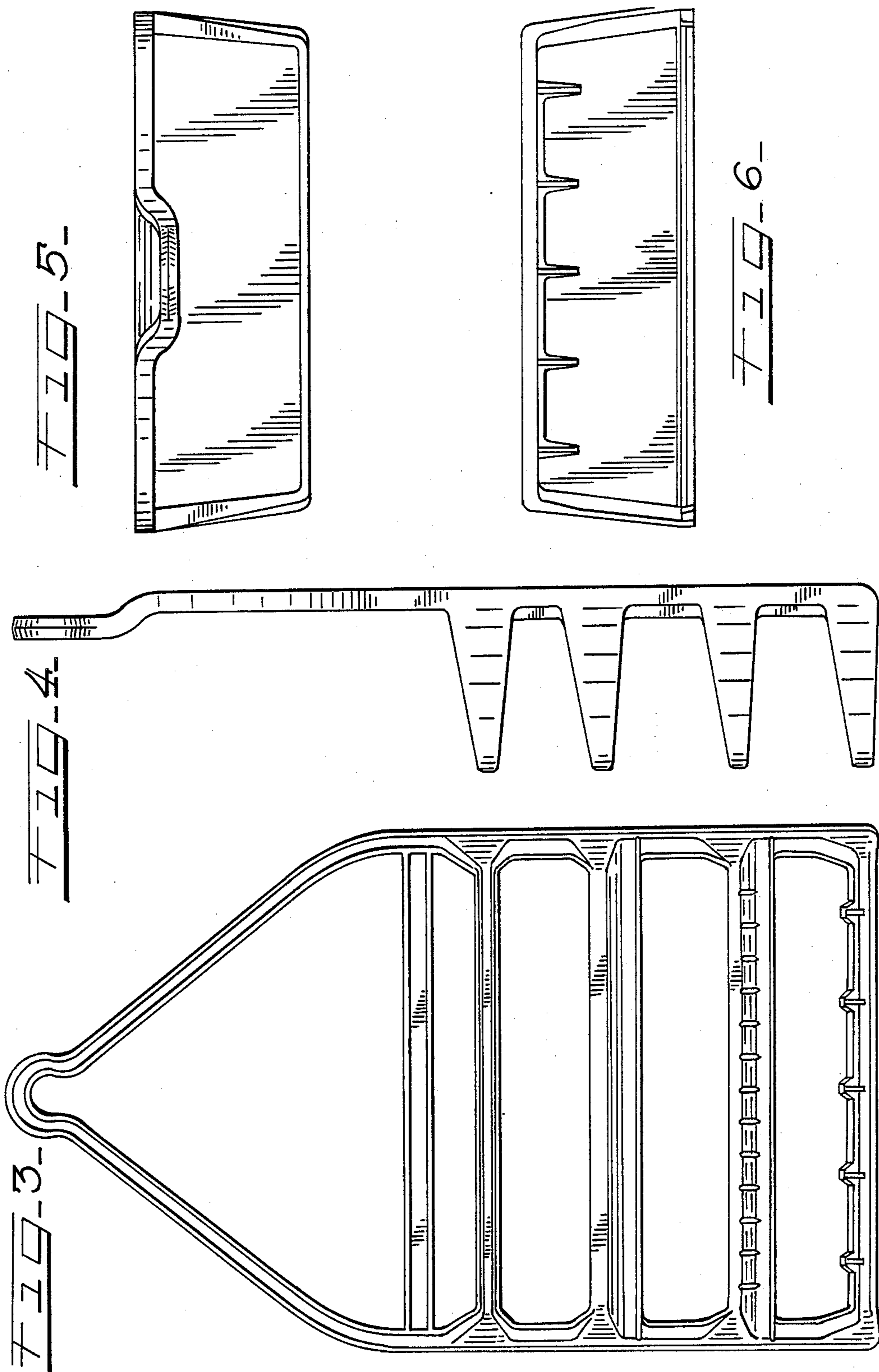


FIG-3-

FIG-4-

FIG-5-

FIG-6-