

[54] CEILING WINCH

4,723,757 2/1988 Steinman et al. 254/369

[76] Inventor: Scott W. Row, 4599 Bogie Rd.,
Duluth, Ga. 30136

Primary Examiner—Wallace R. Burke
Assistant Examiner—Kay H. Chin
Attorney, Agent, or Firm—Jones, Askew & Lundsford

[**] Term: 14 Years

[21] Appl. No.: 880,327

[57] CLAIM

[22] Filed: Jun. 30, 1986

The ornamental design for a ceiling winch, as shown
and described.

[52] U.S. Cl. D34/33

[58] Field of Search D34/33, 34, 35;
254/369, 371, 376, 218, 217

DESCRIPTION

[56] References Cited

U.S. PATENT DOCUMENTS

FIG. 1 is a perspective view of a ceiling winch showing
my new design.

FIG. 2 is a right side elevation view thereof.

FIG. 3 is a front elevation view thereof.

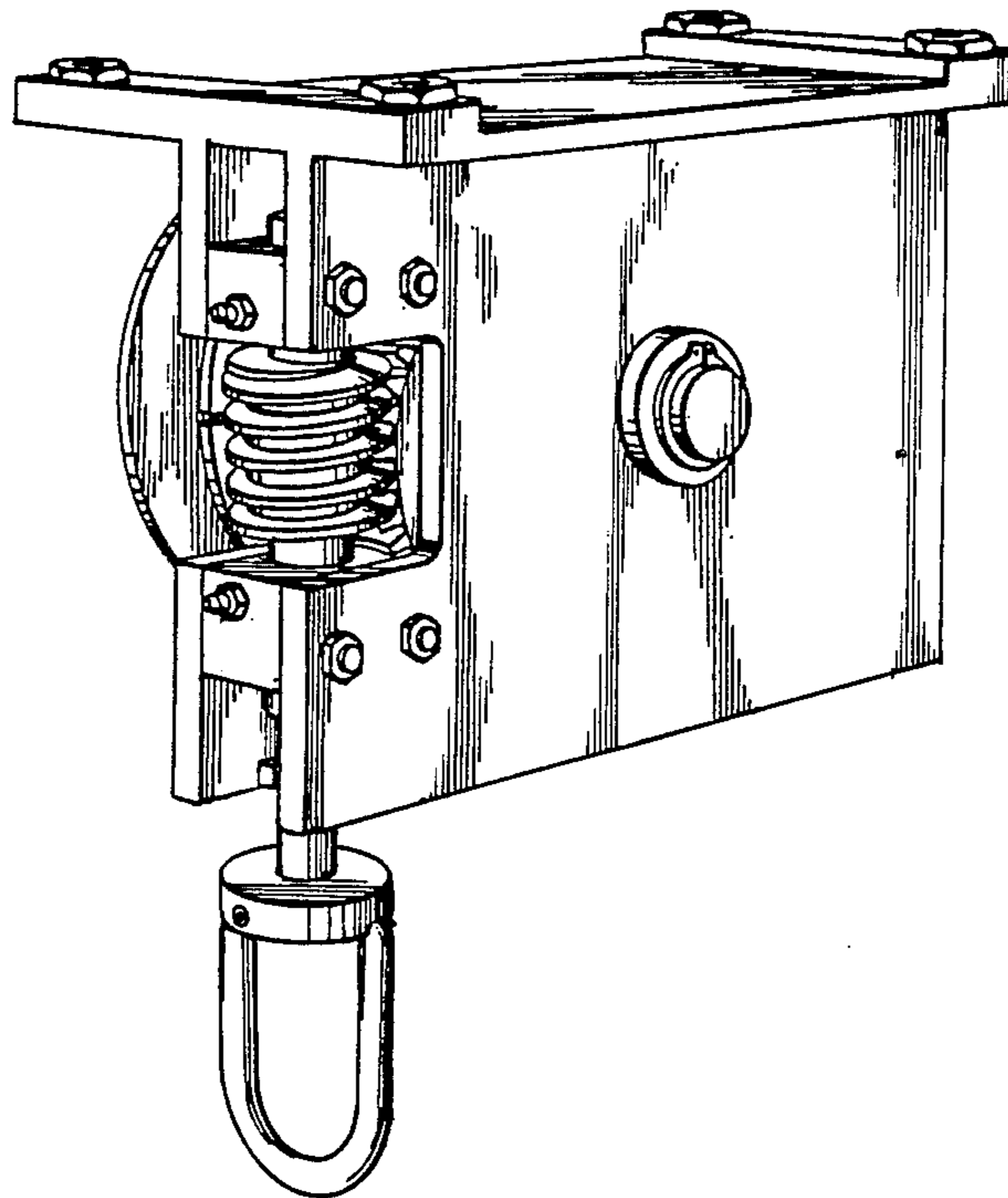
FIG. 4 is a left side elevation view thereof.

FIG. 5 is a top plan view thereof.

FIG. 6 is a rear elevation view thereof.

FIG. 7 is a bottom plan view thereof.

D. 199,989	1/1965	Hoff	D34/33
D. 257,028	9/1980	Row	D34/33
2,854,852	10/1958	Clark	254/369
4,706,940	11/1987	Harig	254/371



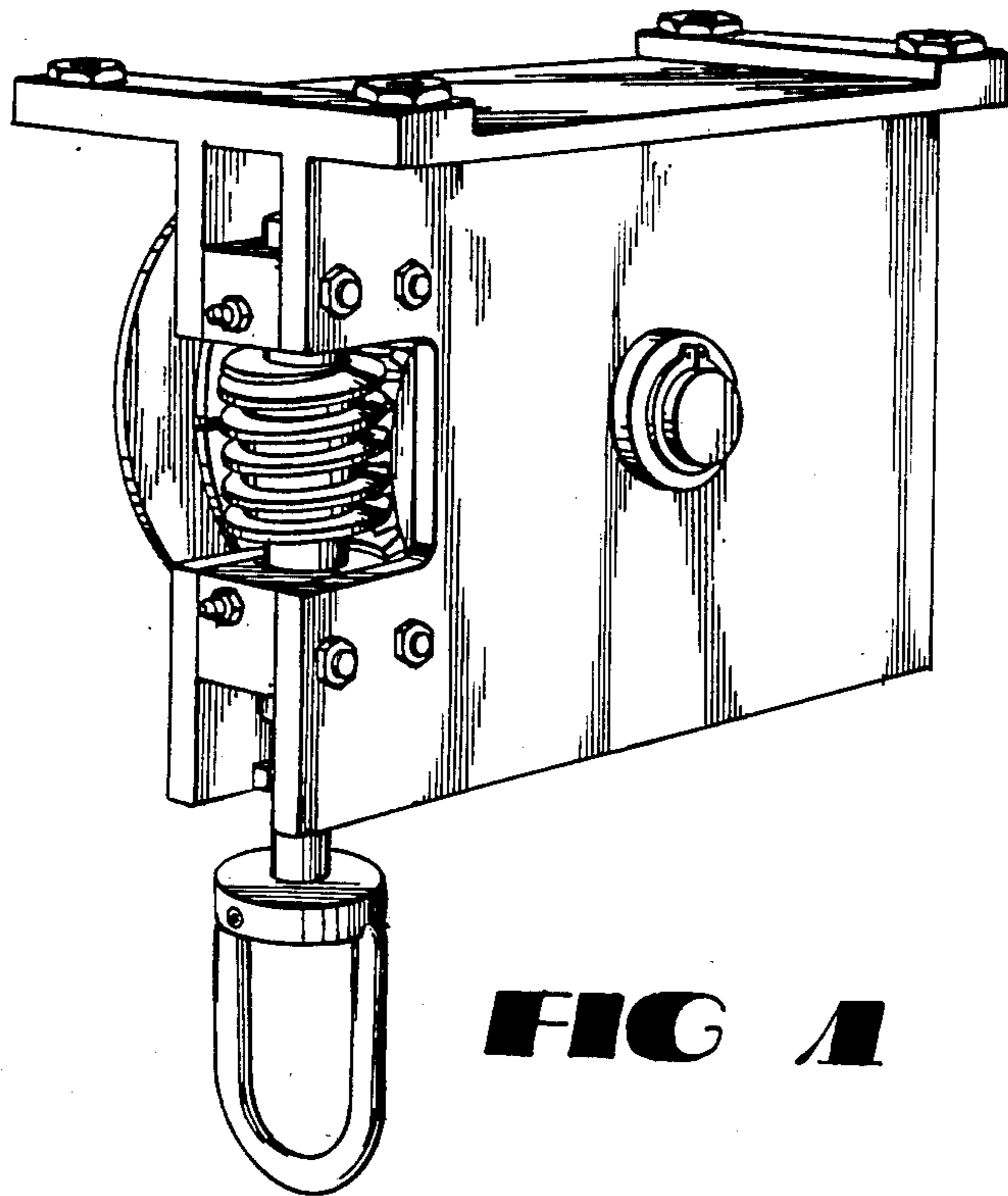


FIG 1

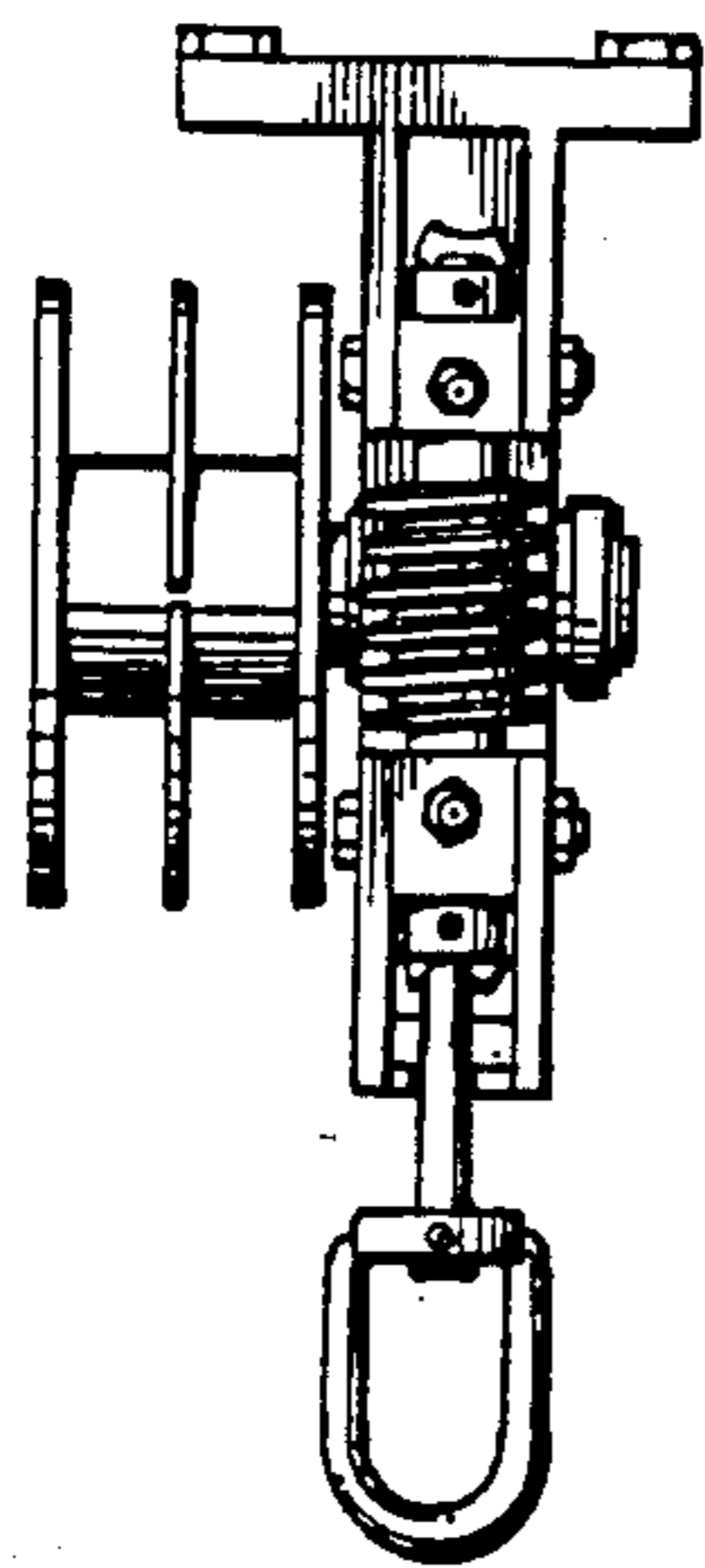


FIG 3

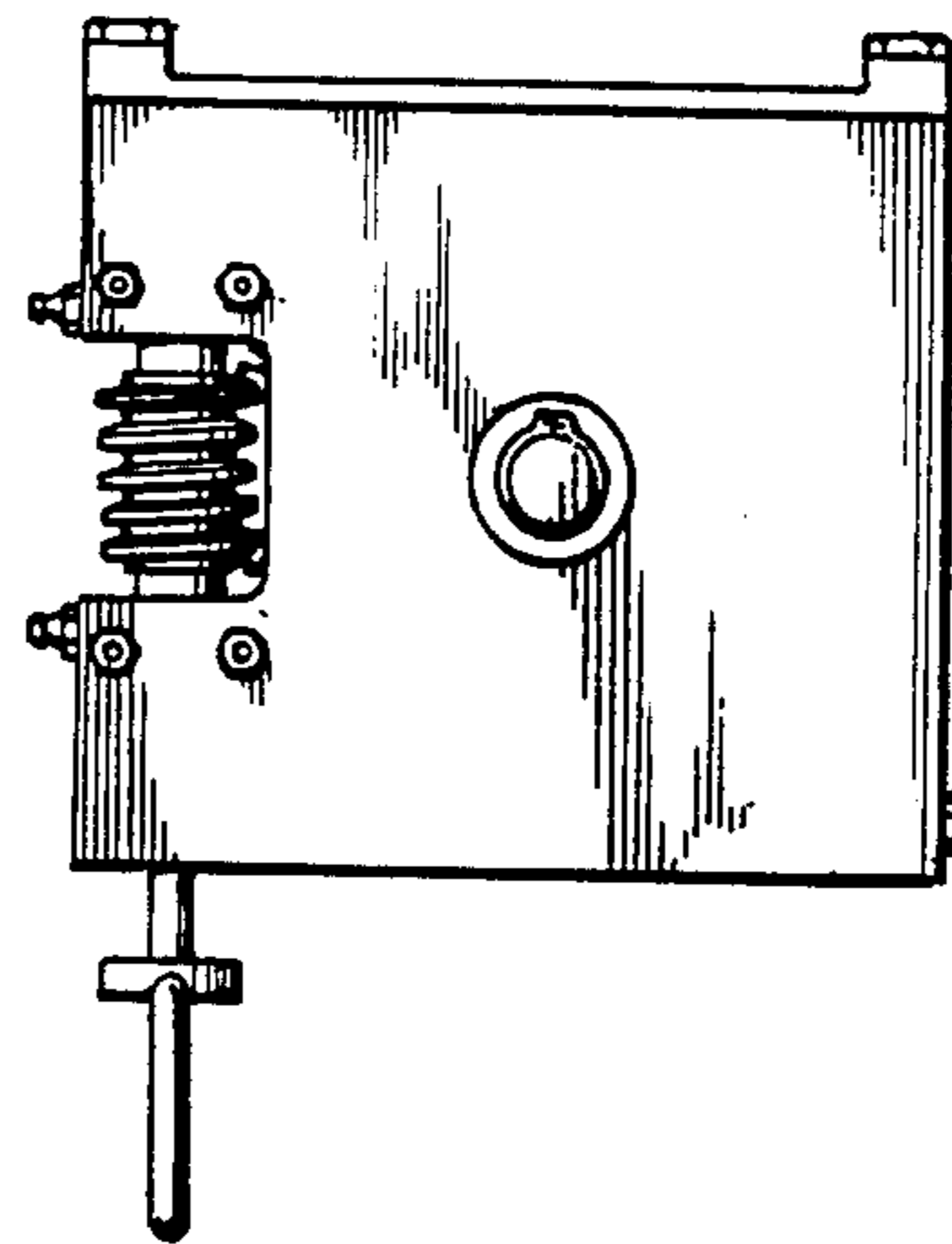


FIG 2

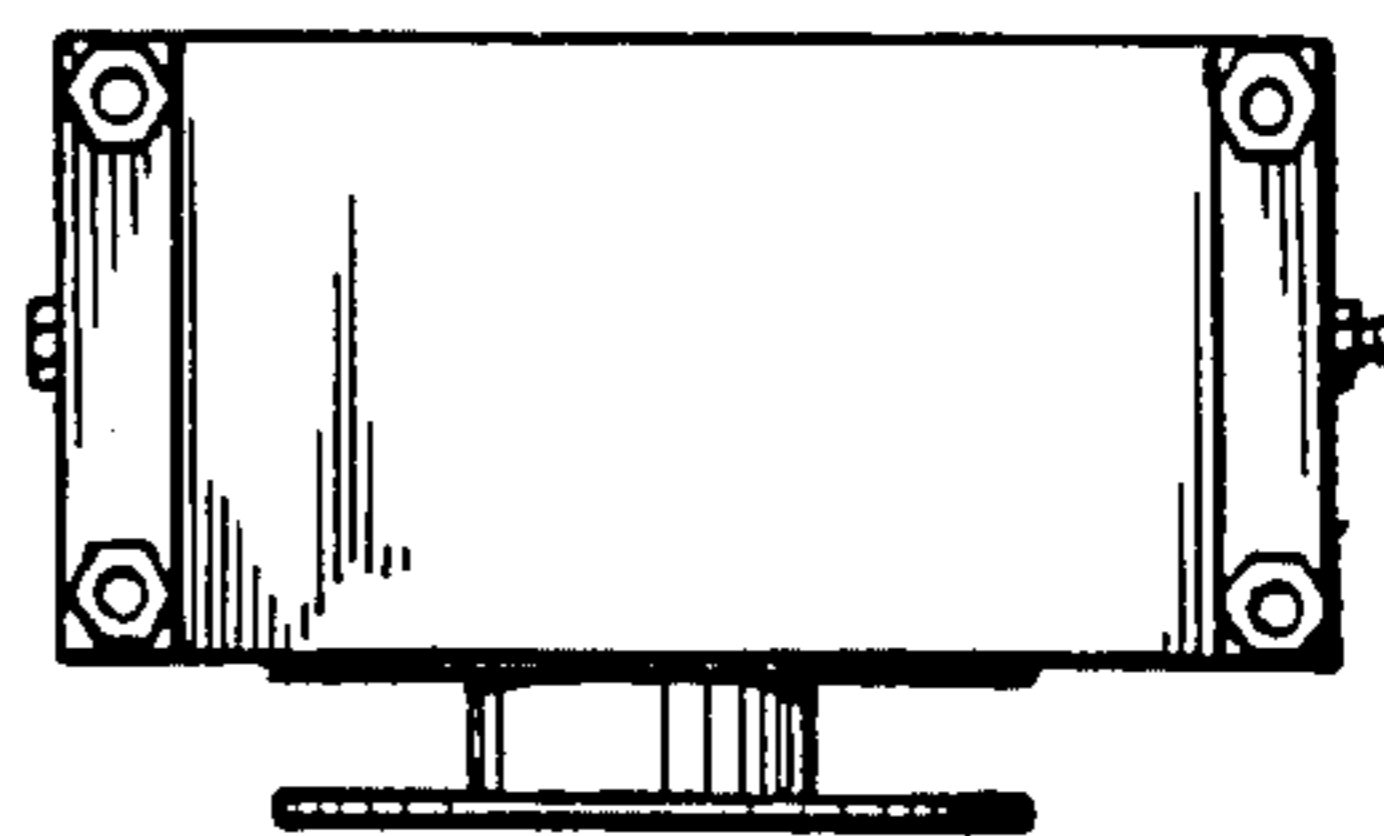


FIG 5

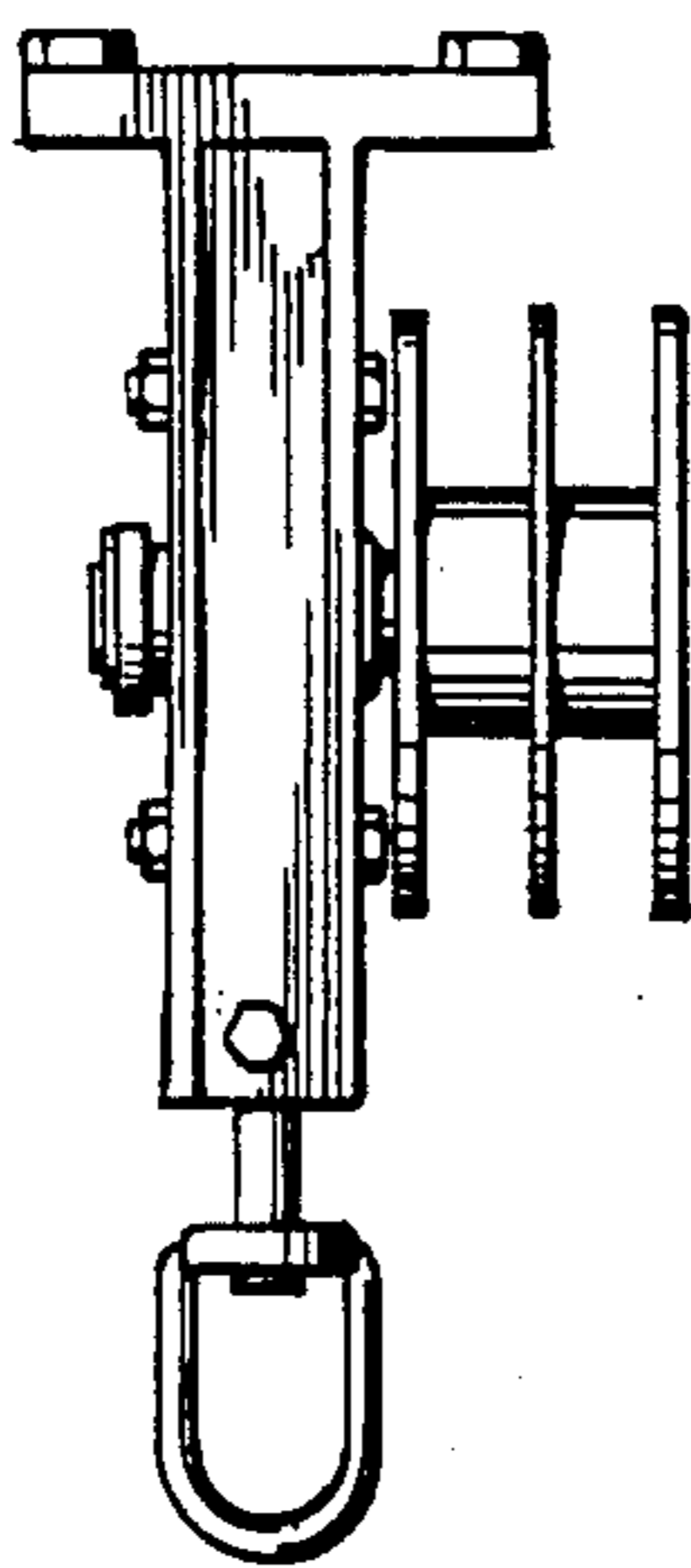


FIG 6

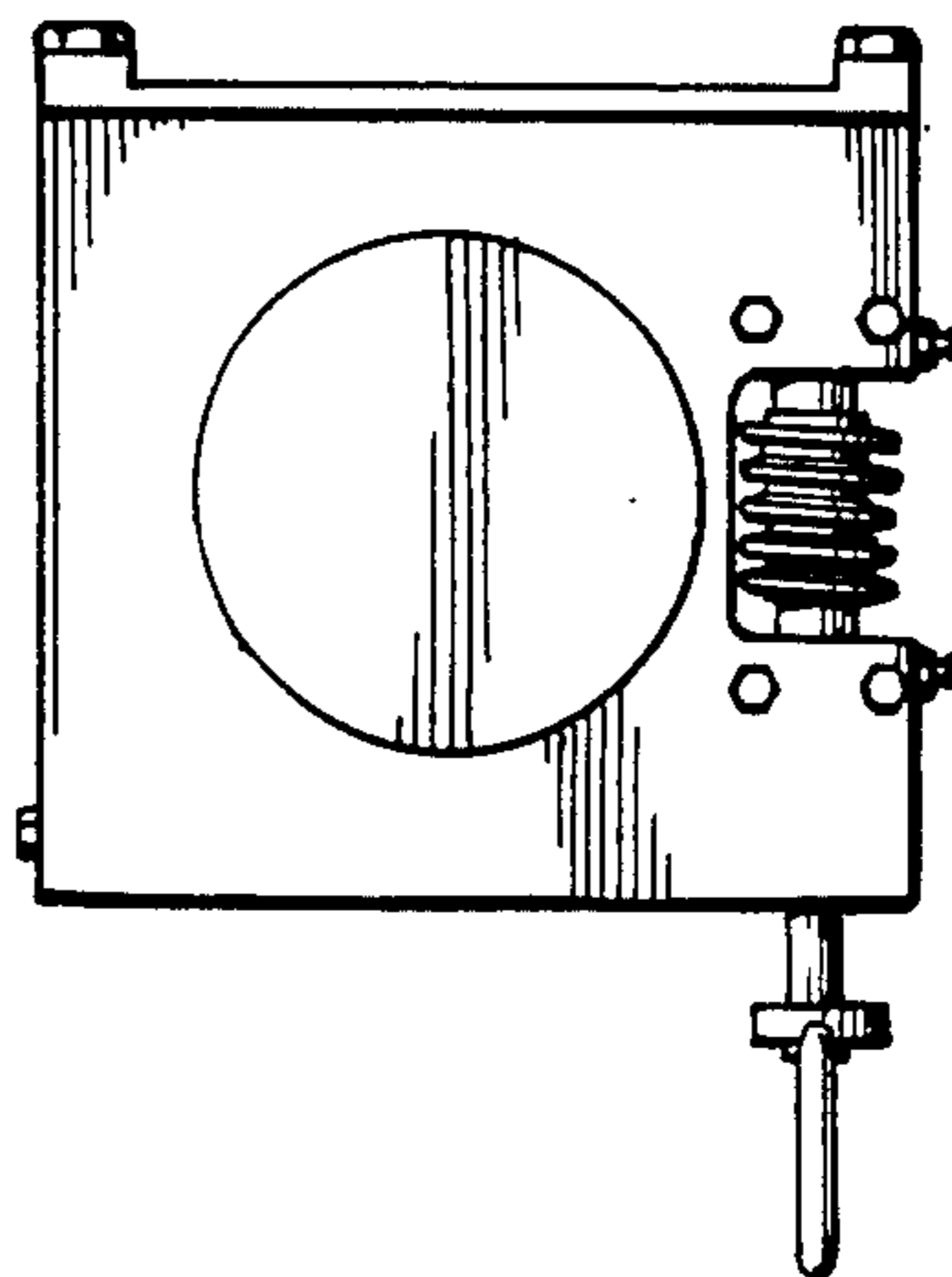


FIG 4

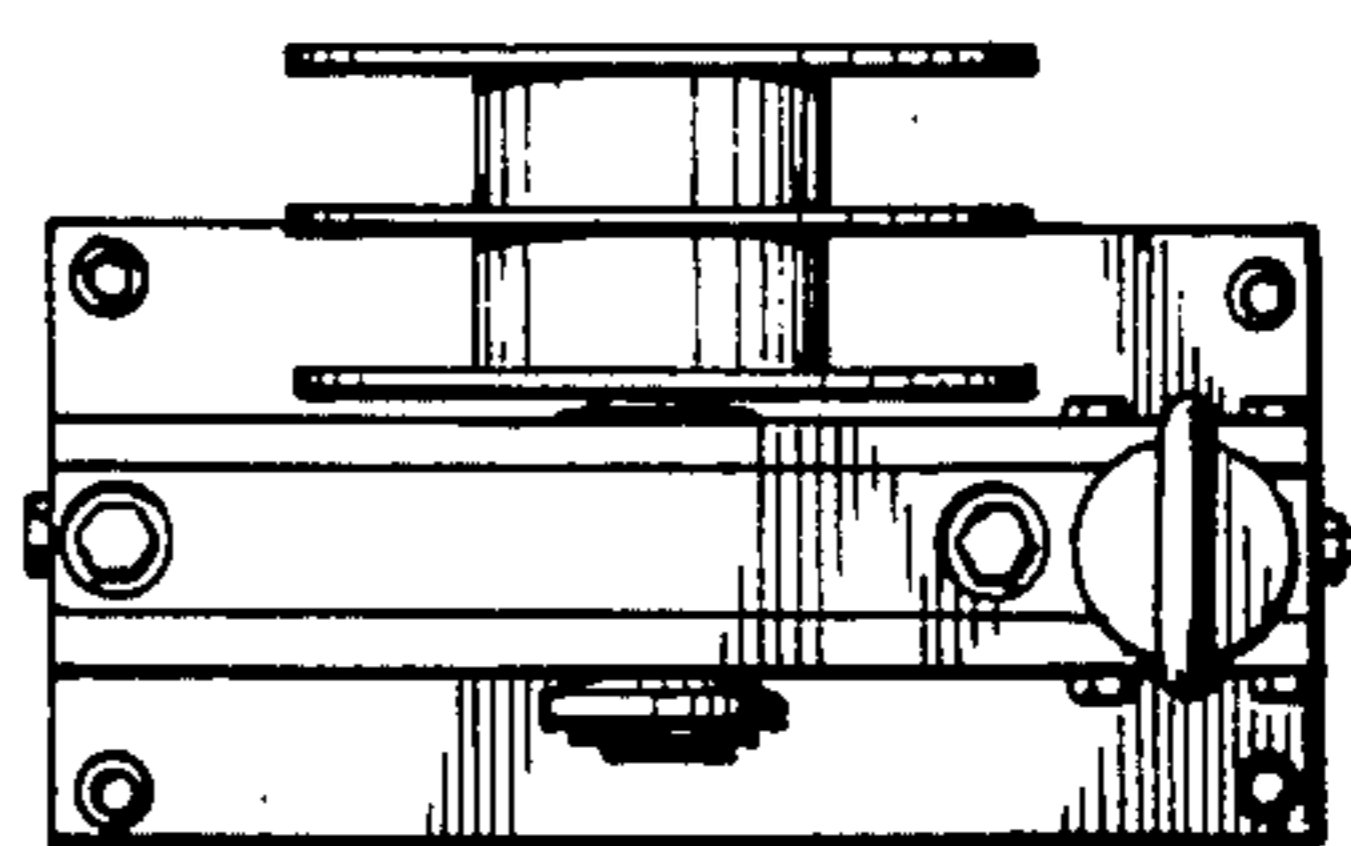


FIG 7