

# United States Patent [19]

Granger

[11] Patent Number: **Des. 298,974**

[45] Date of Patent: **\*\* Dec. 13, 1988**

[54] **BIRD FEEDER**

[76] Inventor: **Ray L. Granger, 772 Bird Bay Dr., #204, Venice, Fla. 33595**

[\*] Notice: The portion of the term of this patent subsequent to Apr. 7, 2001 has been disclaimed.

[\*\*] Term: **14 Years**

[21] Appl. No.: **884,269**

[22] Filed: **Jul. 10, 1986**

[52] U.S. Cl. .... **D30/125**

[58] Field of Search ..... **D30/121-133; 119/51 R, 52 R, 8, 61**

[56] **References Cited**

**U.S. PATENT DOCUMENTS**

- D. 120,350 5/1940 Moore ..... D30/126
- D. 175,677 9/1955 Gallo ..... D30/126
- D. 186,605 11/1959 Mallog, Sr. .... D30/126

- D. 187,135 2/1960 McDonald ..... D30/126
- D. 205,074 6/1966 Brown ..... D30/126
- D. 234,521 3/1975 Fry ..... D30/126
- D. 289,209 4/1987 Erichsen ..... D30/125
- 2,944,516 7/1960 Malloy, Sr. .... 119/52 R
- 3,157,159 11/1964 Koistinen et al. .... 119/52 R
- 3,295,498 1/1967 Brown ..... 119/52 R

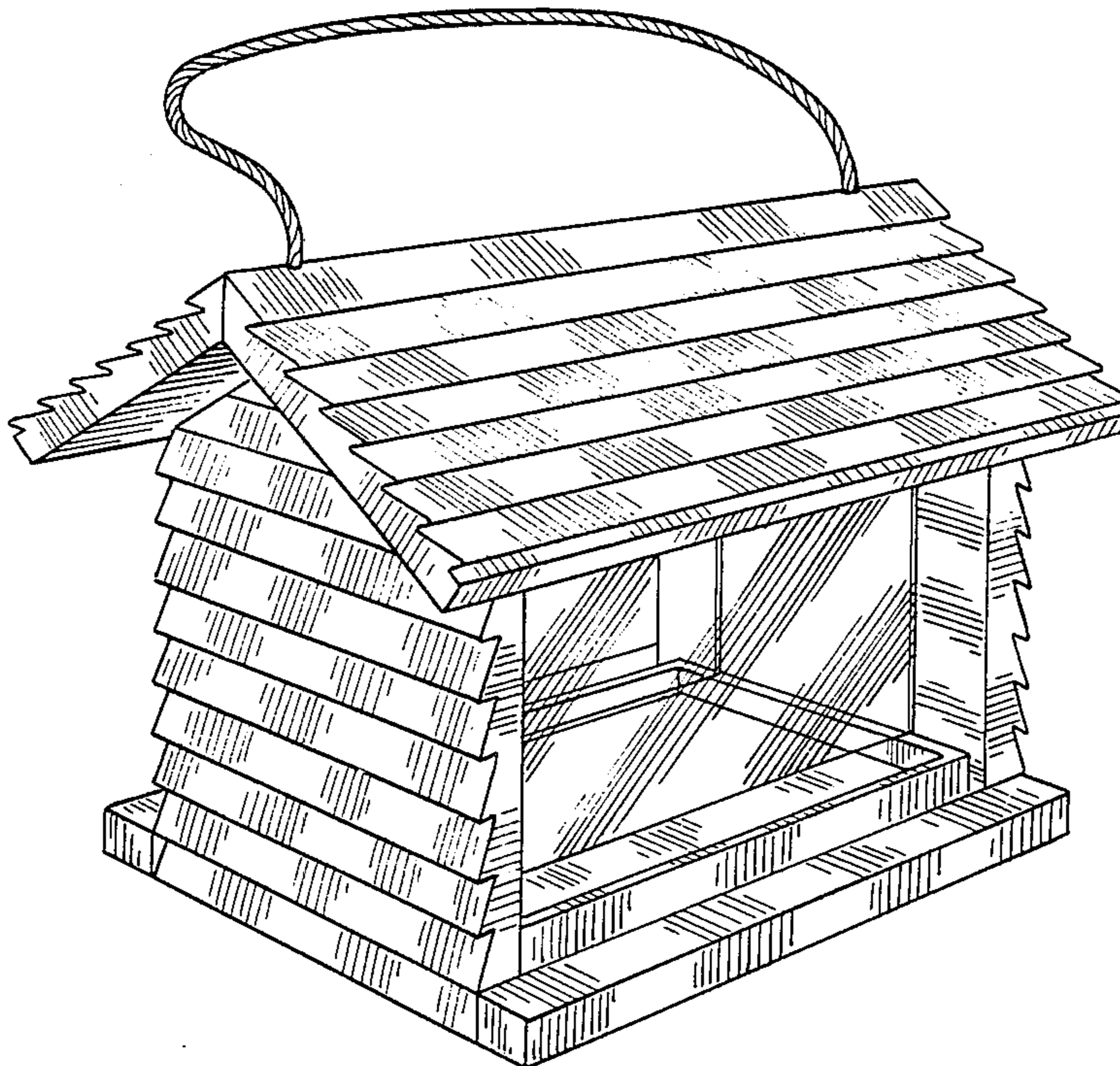
*Primary Examiner*—James R. Largent  
*Attorney, Agent, or Firm*—Leo Gregory

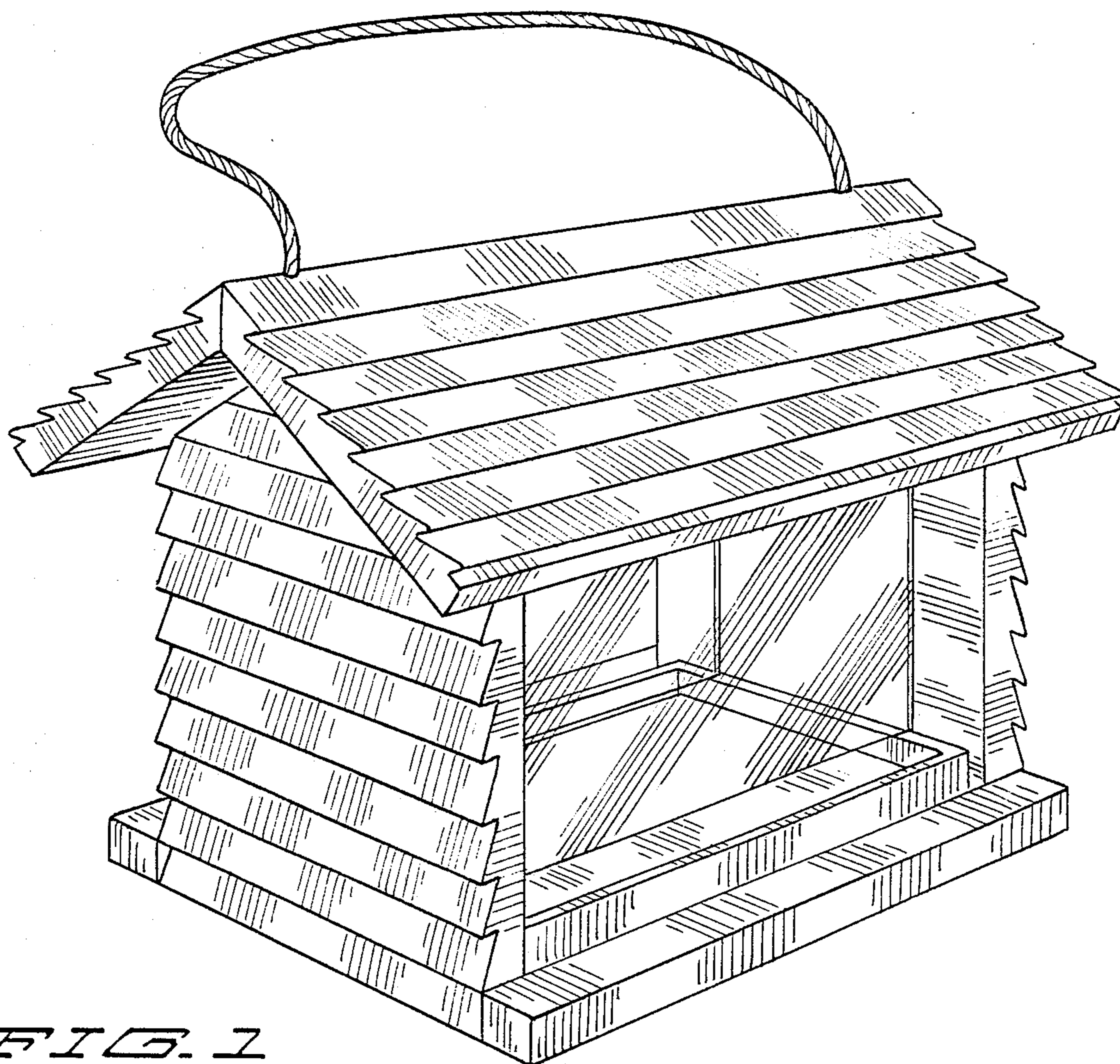
[57] **CLAIM**

The ornamental design for a bird feeder, as shown and described.

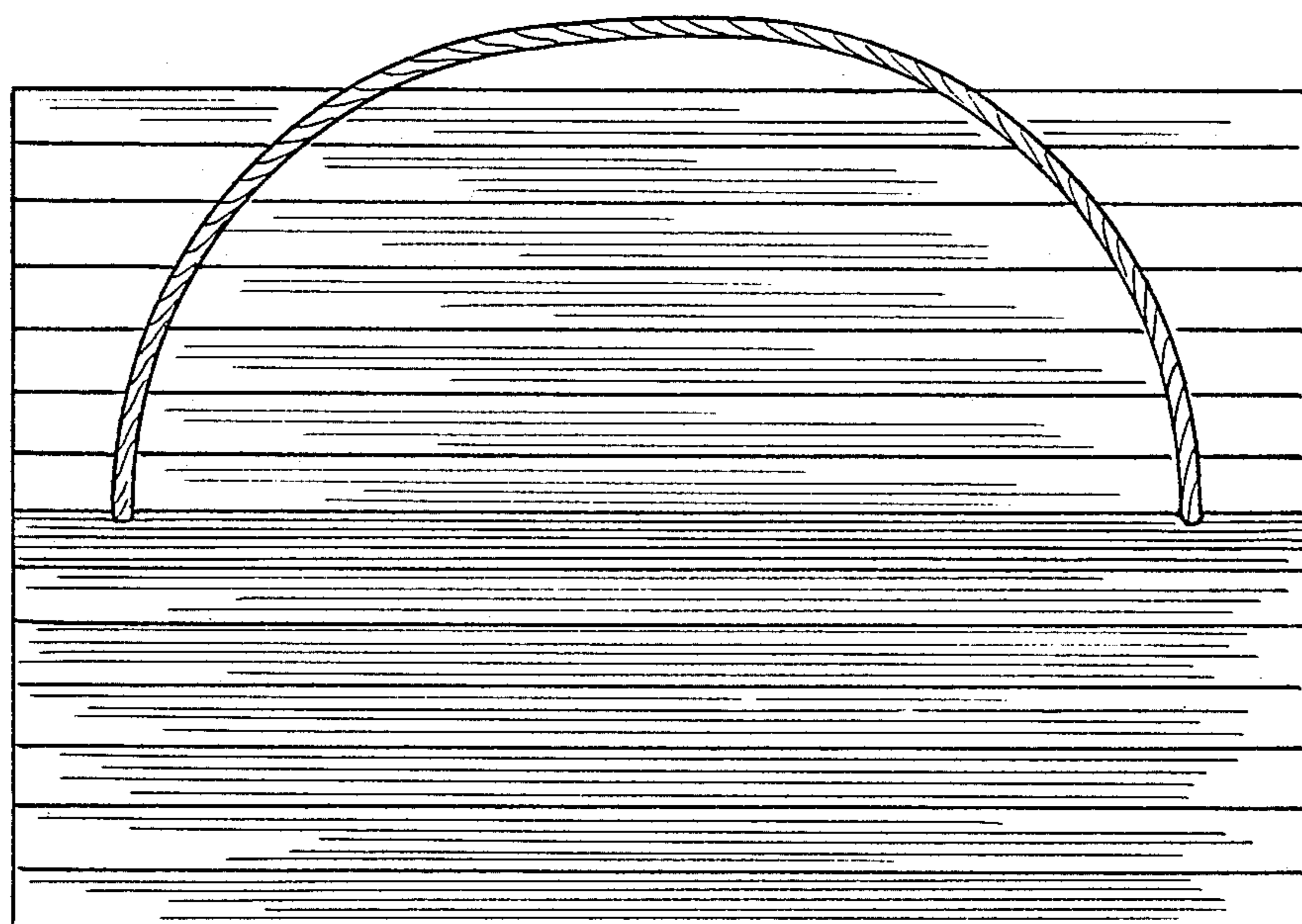
**DESCRIPTION**

FIG. 1 is a perspective view of a bird feeder showing my new design;  
FIG. 2 is a top plan view thereof;  
FIG. 3 is a front elevational view thereof; the rear view being the same as the front shown; and  
FIG. 4 is an elevational view taken one side thereof of the opposite side being the same as the side shown.

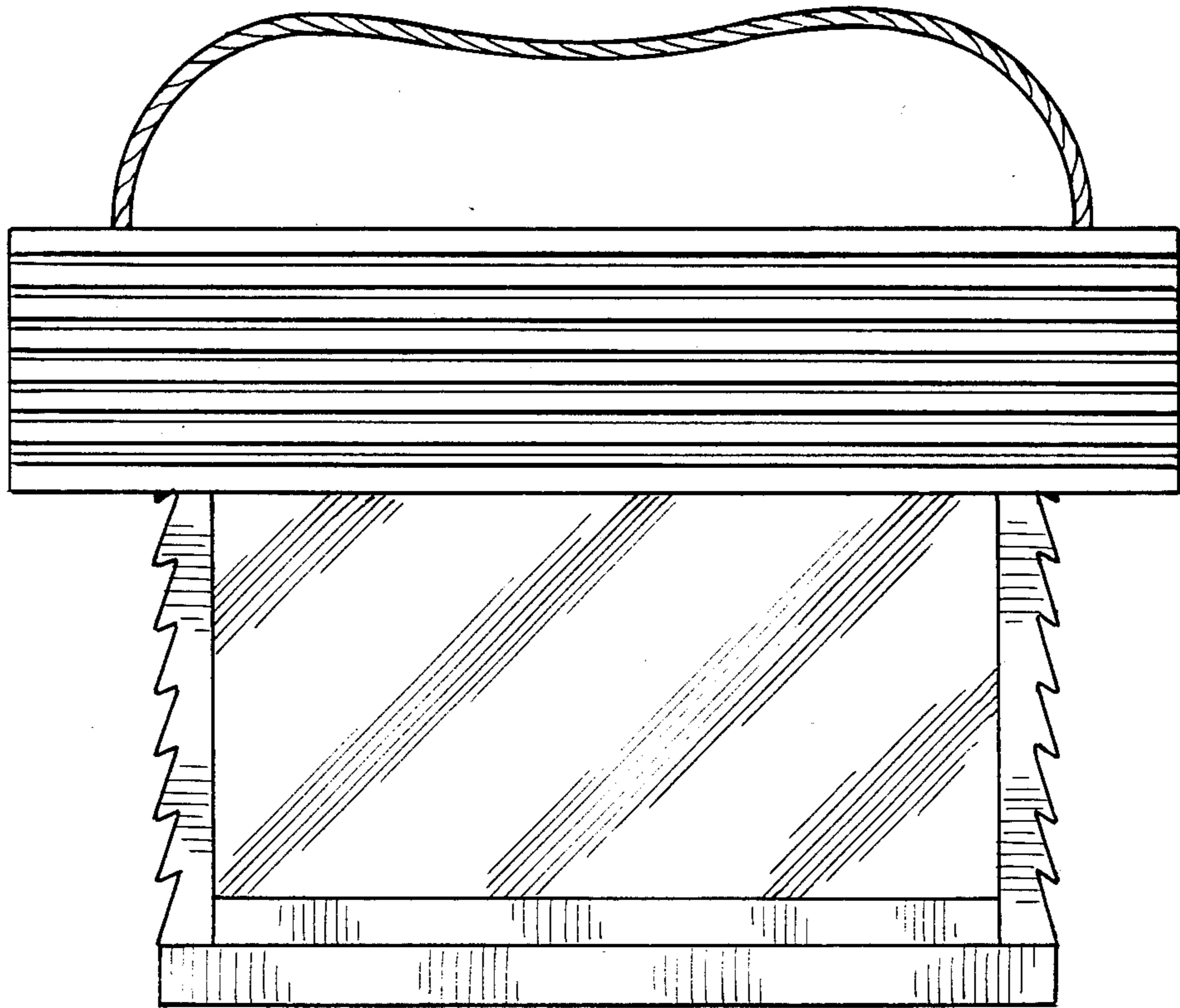




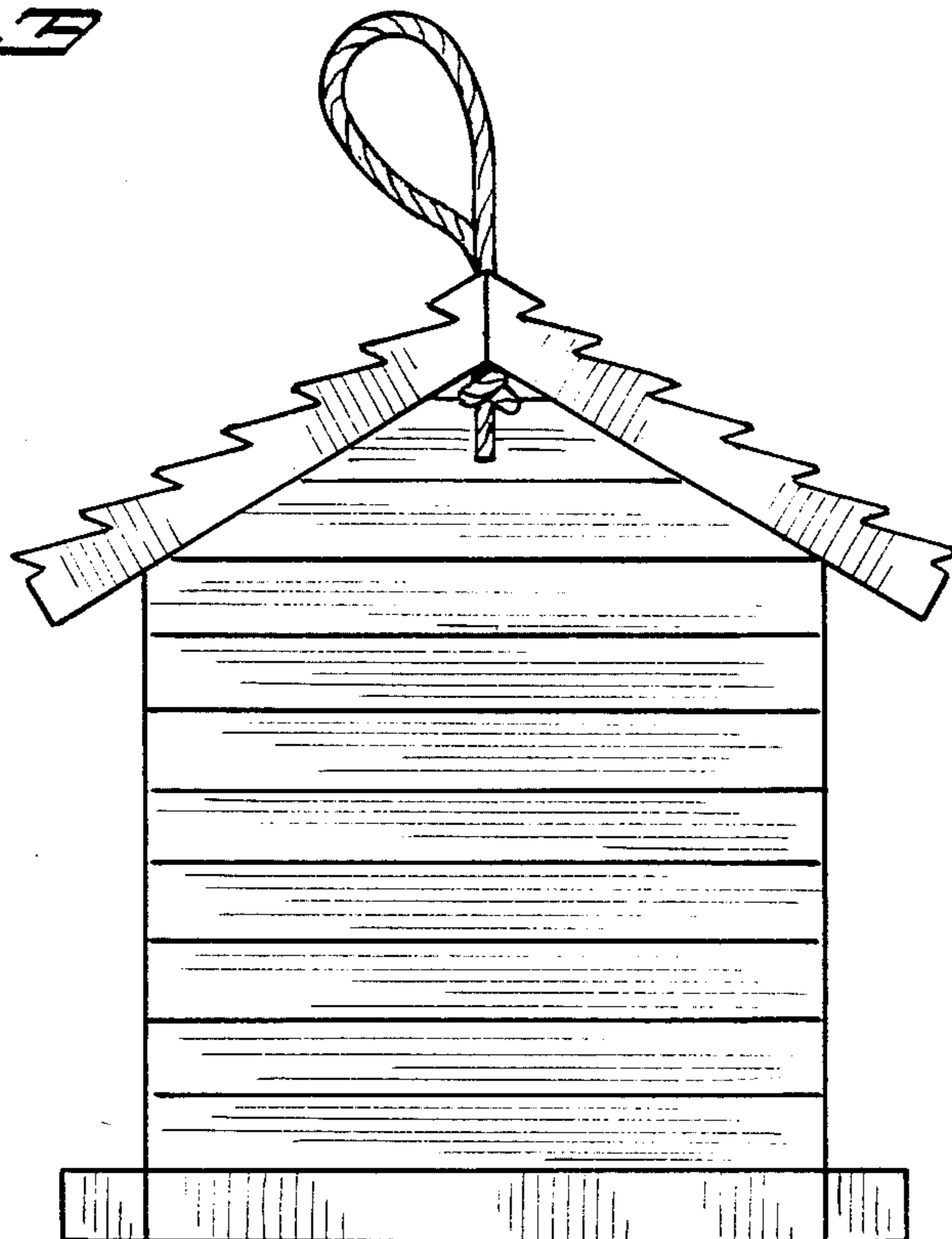
*FIG. 1*



*FIG. 2*



*FIG. 3*



*FIG. 4*