

# United States Patent [19]

Schauer

[11] Patent Number: **Des. 298,972**

[45] Date of Patent: **\*\* Dec. 13, 1988**

[54] **LIGHTER HOLDER**

[75] Inventor: **Keith R. Schauer, Schamburg, Ill.**

[73] Assignee: **K & B Enterprises, Inc., Schamburg, Ill.**

[\*\*] Term: **14 Years**

[21] Appl. No.: **755,595**

[22] Filed: **Jul. 16, 1985**

[52] U.S. Cl. .... **D27/161**

[58] Field of Search ..... **D27/51, 36-42; 206/85, 86, 87, 88, 89; 224/191, 230**

[56] **References Cited**

### U.S. PATENT DOCUMENTS

D. 206,983 2/1967 Knight ..... D27/51 X  
D. 246,912 1/1978 Adelhardt ..... D27/51  
D. 267,590 1/1983 Varma ..... D27/51  
D. 270,008 8/1983 Johnson ..... D27/51 X  
D. 283,734 5/1986 Parren ..... D27/51

*Primary Examiner*—Susan J. Lucas

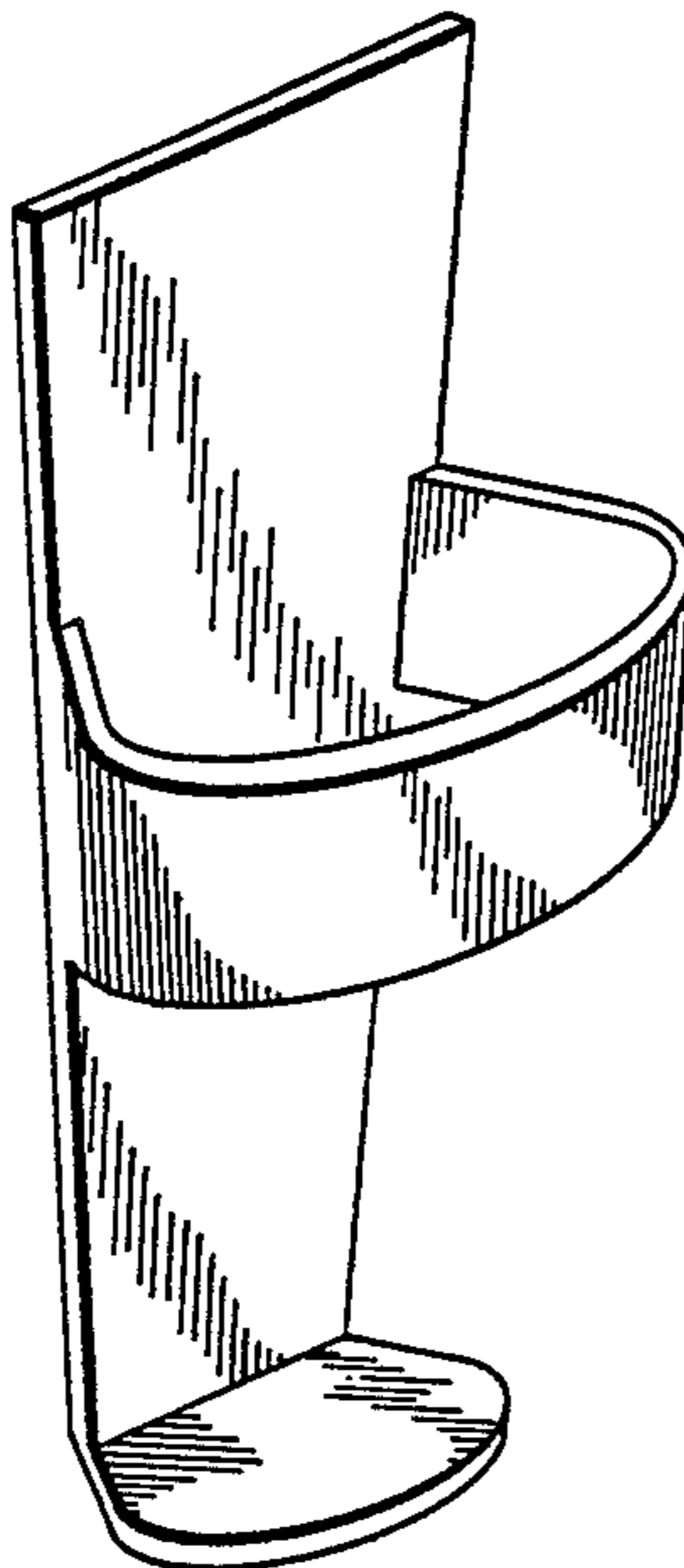
*Attorney, Agent, or Firm*—Raymond J. Warren

[57] **CLAIM**

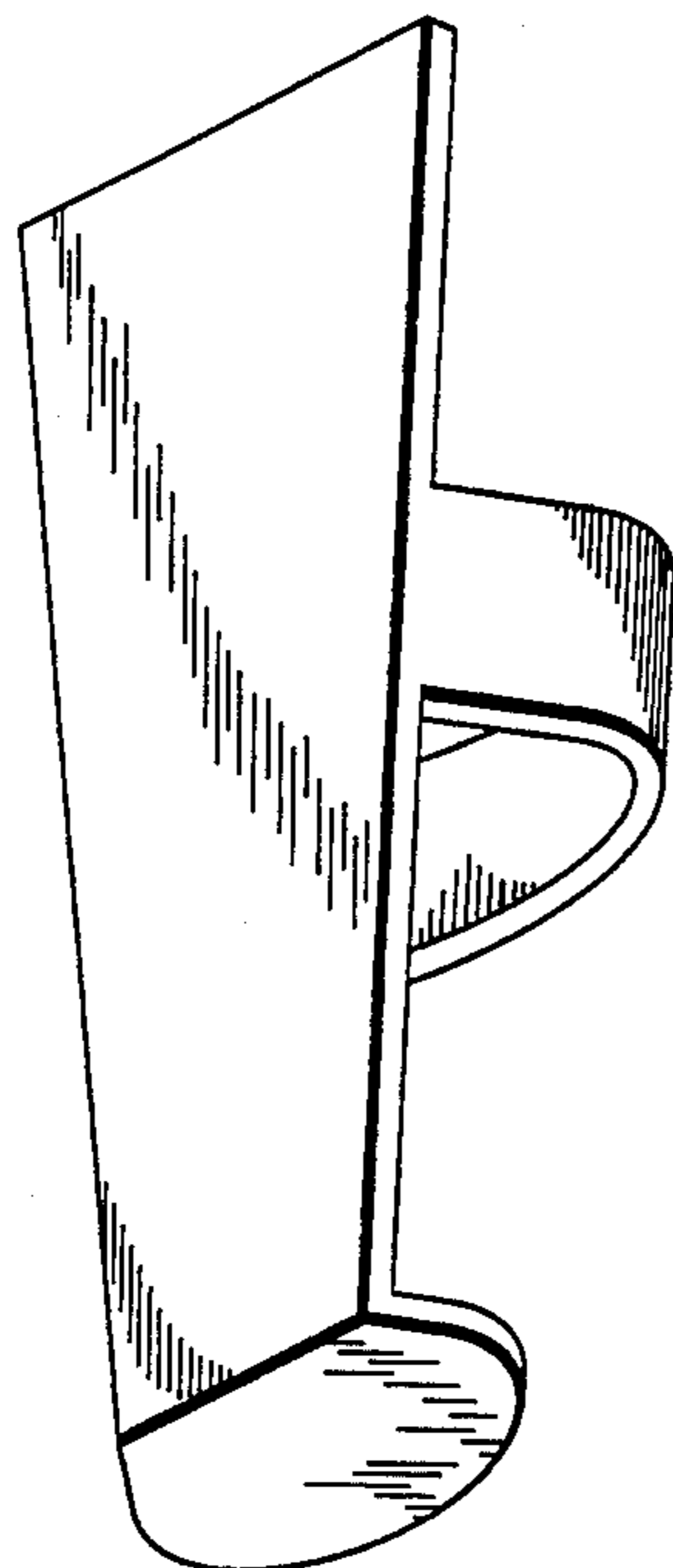
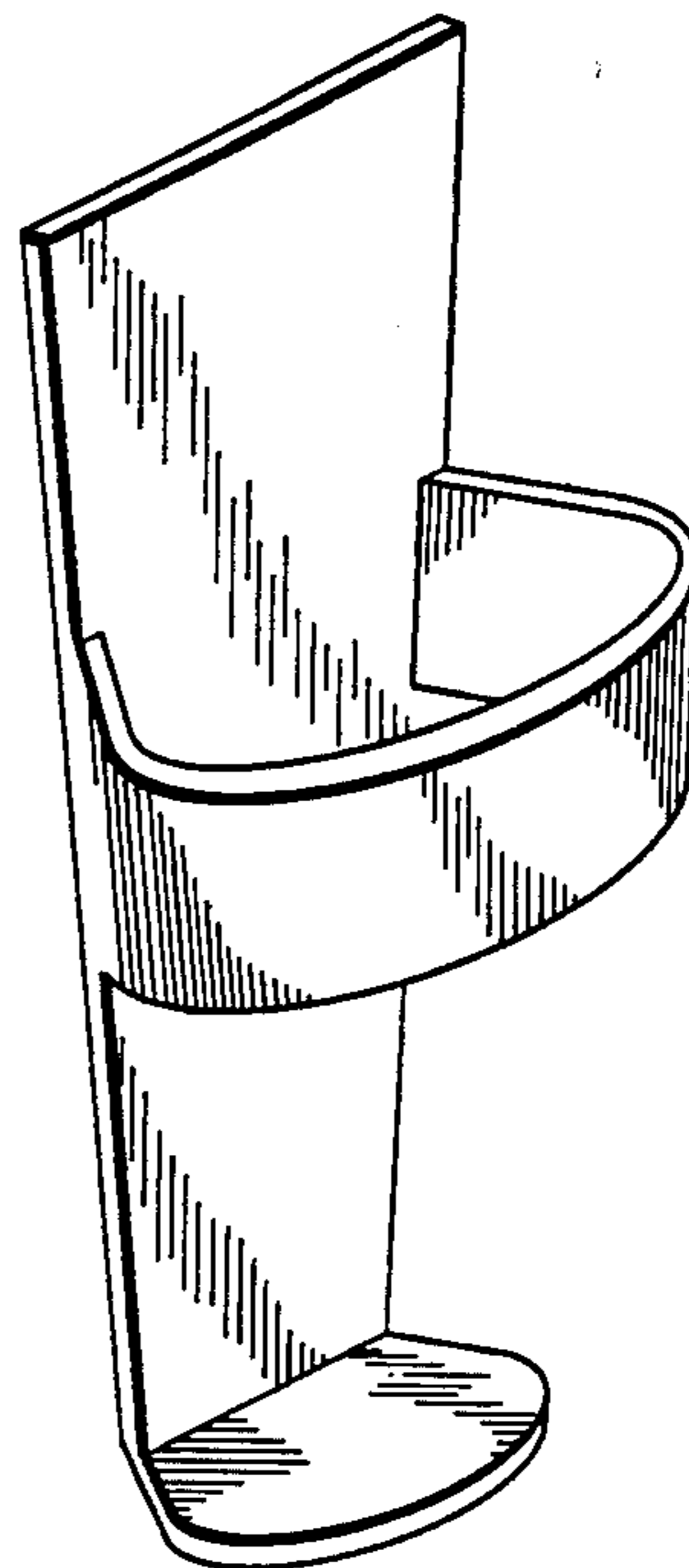
The ornamental design for a lighter holder, as shown and described.

### DESCRIPTION

FIG. 1 is a front perspective view of a lighter holder, showing my new design; and  
FIG. 2 is a rear perspective view thereof.



*FIG. 1*



*FIG. 2*