

[54] PILL COUNTING TRAY

[76] Inventor: Thomas A. W. McAllister, 1021 Cedarglen Gate, Unit 14, Mississauga, Ontario L5C 3A7, Canada

[**] Term: 14 Years

[21] Appl. No.: 811,581

[22] Filed: Dec. 20, 1985

[30] Foreign Application Priority Data

Sep. 18, 1985 [CA] Canada 18-09-85-5

[52] U.S. Cl. D24/31; D15/140 X; D7/68 X

[58] Field of Search D10/97; D7/19, 37, 68 X; D18/3, 4; D15/140 X; D24/31; 414/675; 209/703; 453/50-60

[56] References Cited

U.S. PATENT DOCUMENTS

- D. 198,680 7/1964 Waller D24/31
- D. 222,791 12/1971 Costello D24/31
- D. 262,507 1/1982 Woolridge D7/37 X

- D. 266,301 9/1982 Hall D15/140 X
- D. 283,440 4/1986 Brown D24/31
- D. 288,375 2/1987 Okami D7/37 X
- 2,530,009 11/1950 Fields 453/60 X
- 3,255,894 6/1966 Handel 414/675
- 3,819,064 6/1974 Chandler 414/675
- 4,065,000 12/1977 Murton 414/675

FOREIGN PATENT DOCUMENTS

- 148121 10/1951 Australia 414/675

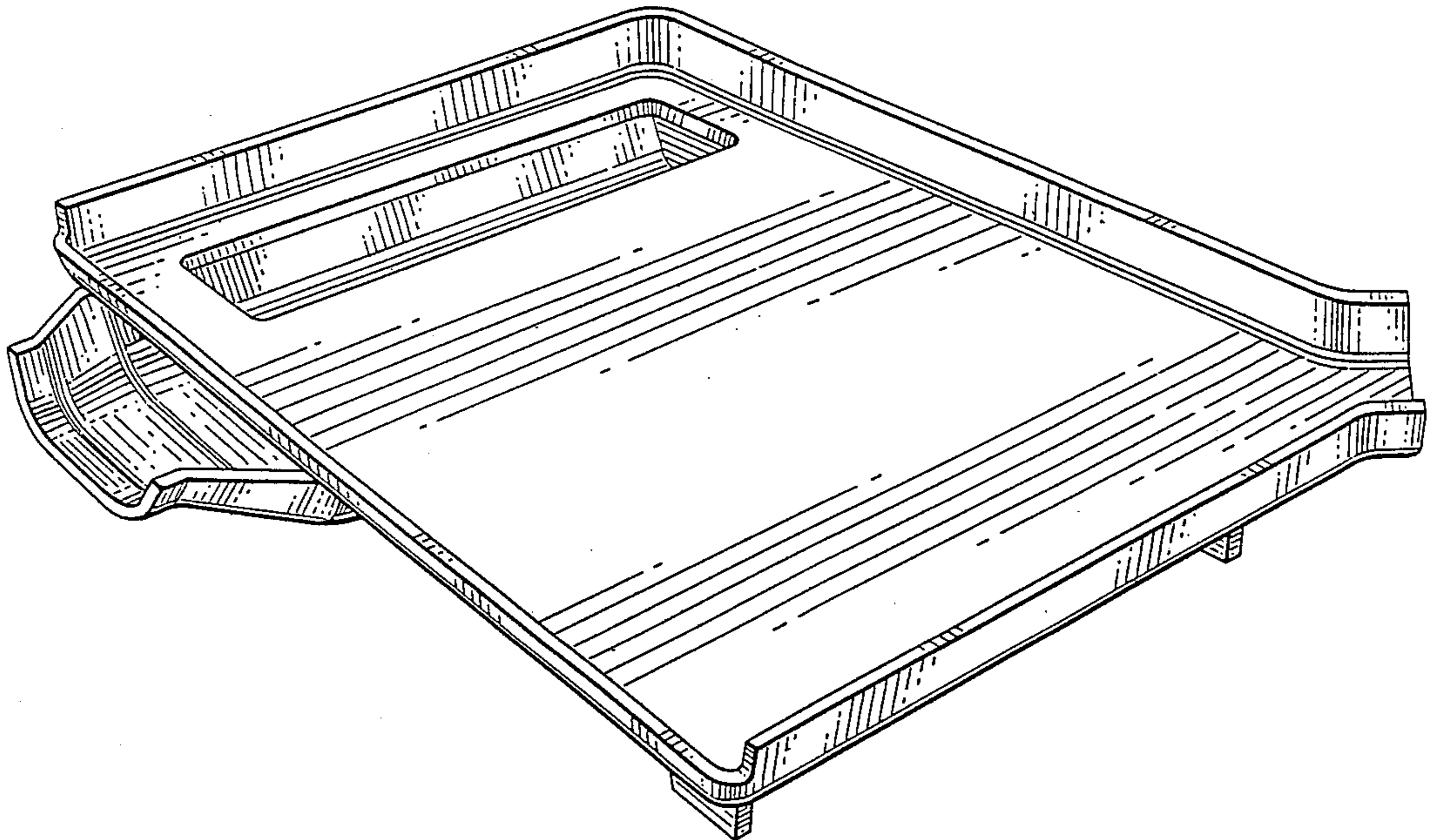
Primary Examiner—Nelson C. Holtje
Attorney, Agent, or Firm—Panitch Schwarze Jacobs & Andel

[57] CLAIM

The ornamental design for a counting pill tray, as shown.

DESCRIPTION

FIG. 1 is a front and top-right perspective view of a pill counting tray showing my new design;
FIG. 2 is a rear and bottom-left perspective view thereof;
FIG. 3 is a top plan view thereof;
FIG. 4 is a front elevational view thereof.



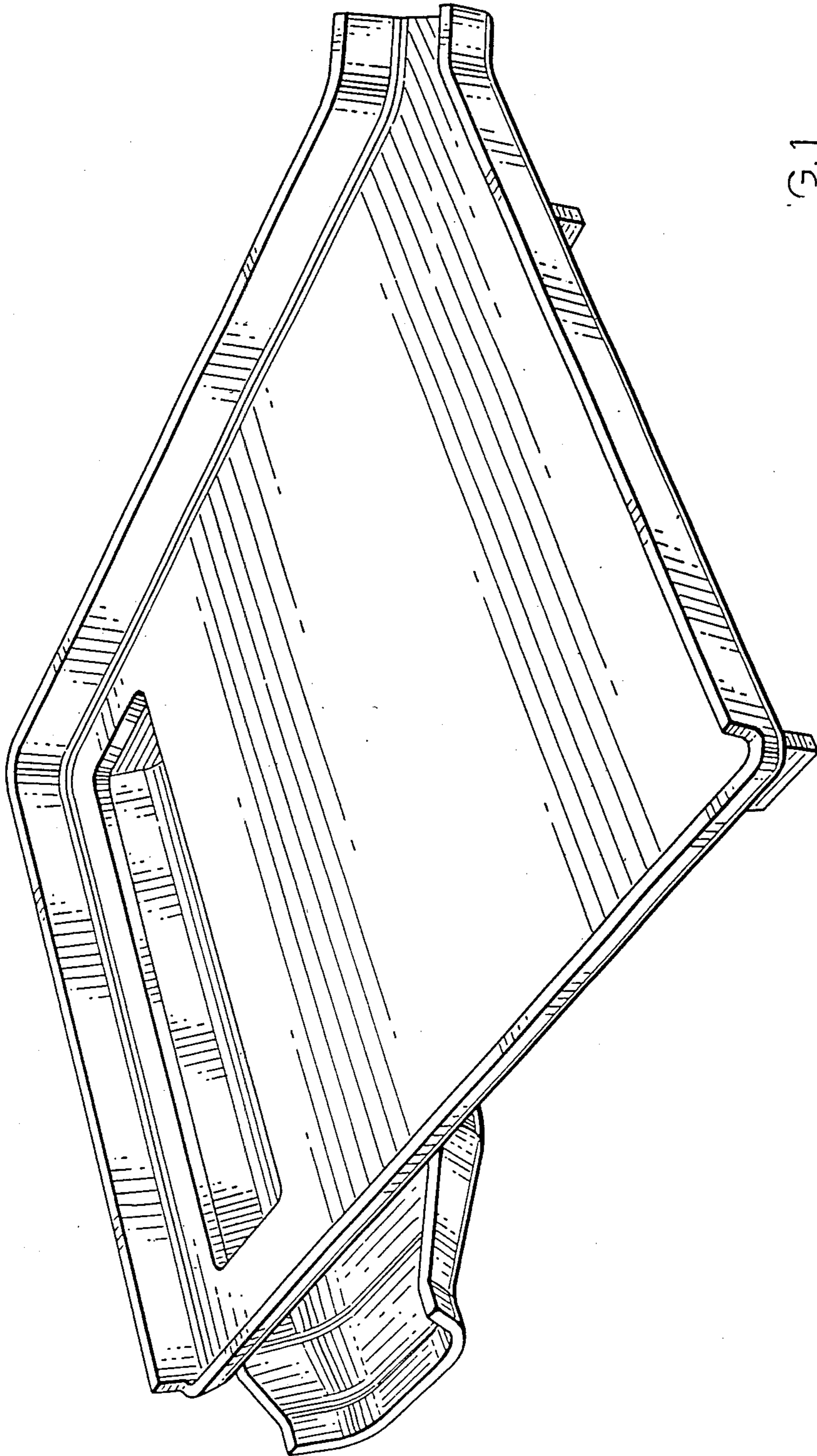


Fig. 1

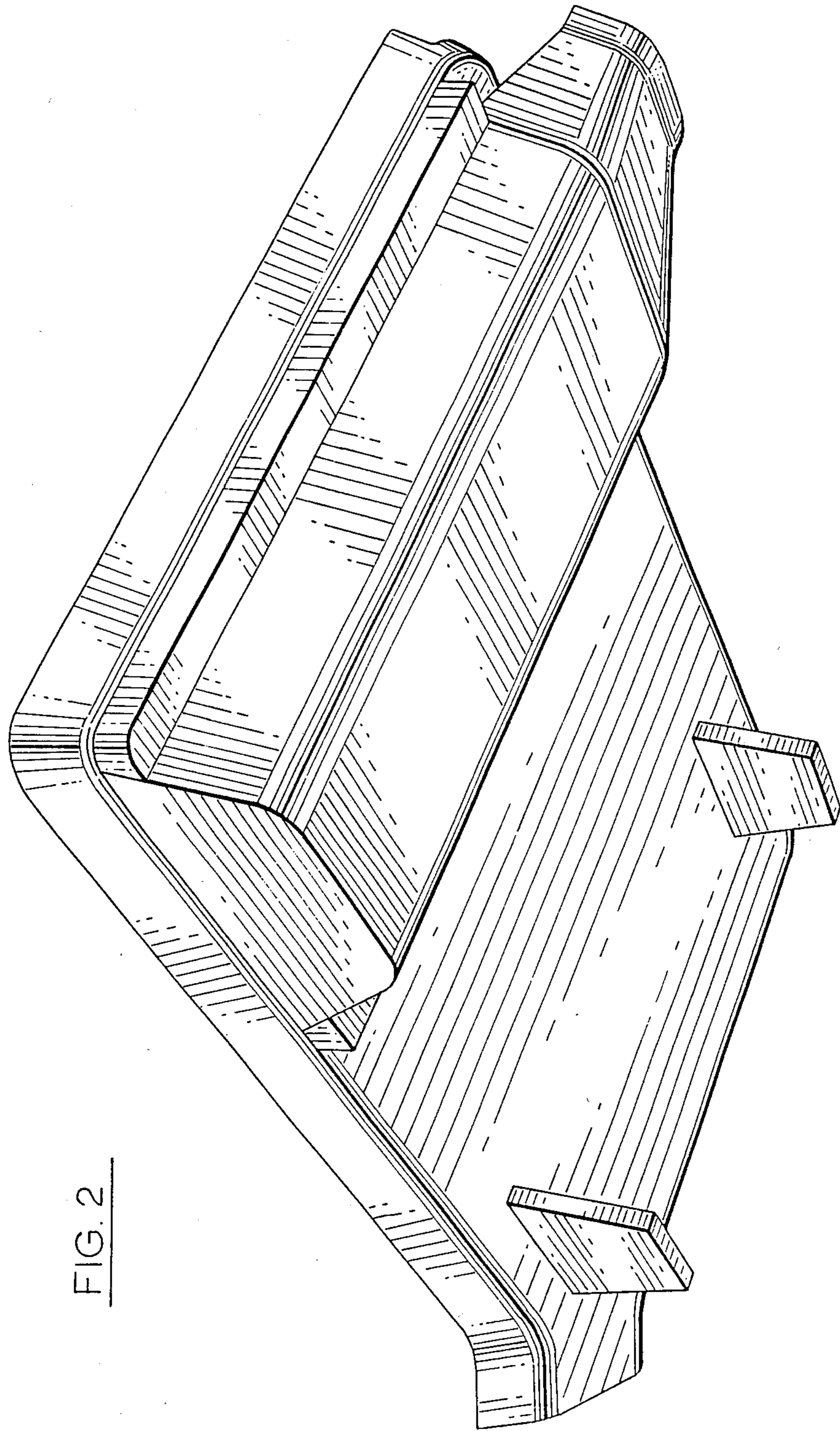


FIG. 2

