

[54] SURGICAL STAPLE CARTRIDGE

[75] Inventor: John V. Hunt, Milford, Ohio

[73] Assignee: Ethicon, Inc., Somerville, N.J.

[**] Term: 14 Years

[21] Appl. No.: 872,456

[22] Filed: Jun. 9, 1986

[52] U.S. Cl. D24/27; D24/26

[58] Field of Search D24/26, 27; 227/19, 227/DIG. 1, 76, 110, 120, 129, 127, 134, 156; 128/305, 334 R, 335, 337; 72/410; D8/49, 50, 51

[56] References Cited

U.S. PATENT DOCUMENTS

D. 271,714	12/1983	Green	D24/27
D. 271,796	12/1983	Green	D24/27
D. 272,279	1/1984	Green	D24/27
D. 278,081	3/1985	Green	.	
D. 282,401	1/1986	Korthoff et al.	.	
D. 282,487	2/1986	Green	.	
D. 284,218	6/1986	Green	.	
D. 284,403	6/1986	Green	.	
3,275,211	9/1966	Hirsch et al.	.	
3,315,863	4/1967	O'Dea	.	
3,482,428	12/1969	Kapitanov	.	
3,490,675	1/1970	Green et al.	.	
3,499,591	3/1970	Green	.	
4,241,861	12/1980	Fleischer	.	
4,244,372	1/1981	Kapitanov et al.	.	
4,290,542	9/1981	Fedotov et al.	.	
4,354,628	10/1982	Green	.	
4,429,695	2/1984	Green	.	
4,520,817	6/1985	Green	.	

4,550,870	11/1985	Krumme et al.	.
4,566,620	1/1986	Green et al.	.
4,568,009	2/1986	Green	.
4,573,622	3/1986	Green et al.	.
4,580,712	4/1986	Green	.

FOREIGN PATENT DOCUMENTS

1213583	3/1983	Australia	.
888868	12/1971	Canada	.

OTHER PUBLICATIONS

AORN Journal, vol. 42, No. 3, Sep. 1985, unnumbered pages on opposite side of pp. 397 and 400. Undated materials comprising two pages relating to Surgeons Choice staplers advertised by American V. Mueller.

Primary Examiner—Wallace R. Burke
Assistant Examiner—Stella M. Reid
Attorney, Agent, or Firm—Charles P. Boukus, Jr.; Paul A. Coletti

[57] CLAIM

The ornamental design for a surgical staple cartridge, as shown and described.

DESCRIPTION

FIG. 1 is a side perspective view of a surgical staple cartridge showing my new design; FIG. 2 is a top plan view thereof; FIG. 3 is a bottom plan view thereof; FIG. 4 is a side elevational view thereof; FIG. 5 is an elevational view from the side opposite of FIG. 4; FIG. 6 is a front elevational view thereof; and FIG. 7 is a rear elevational view thereof.

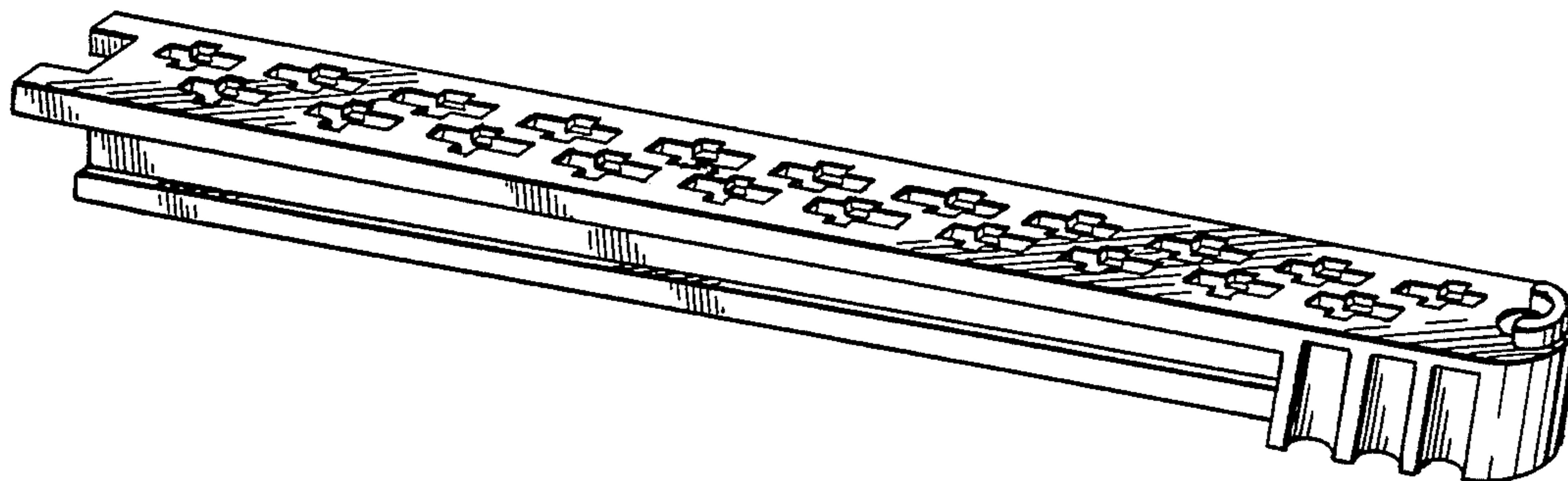


Fig. 1

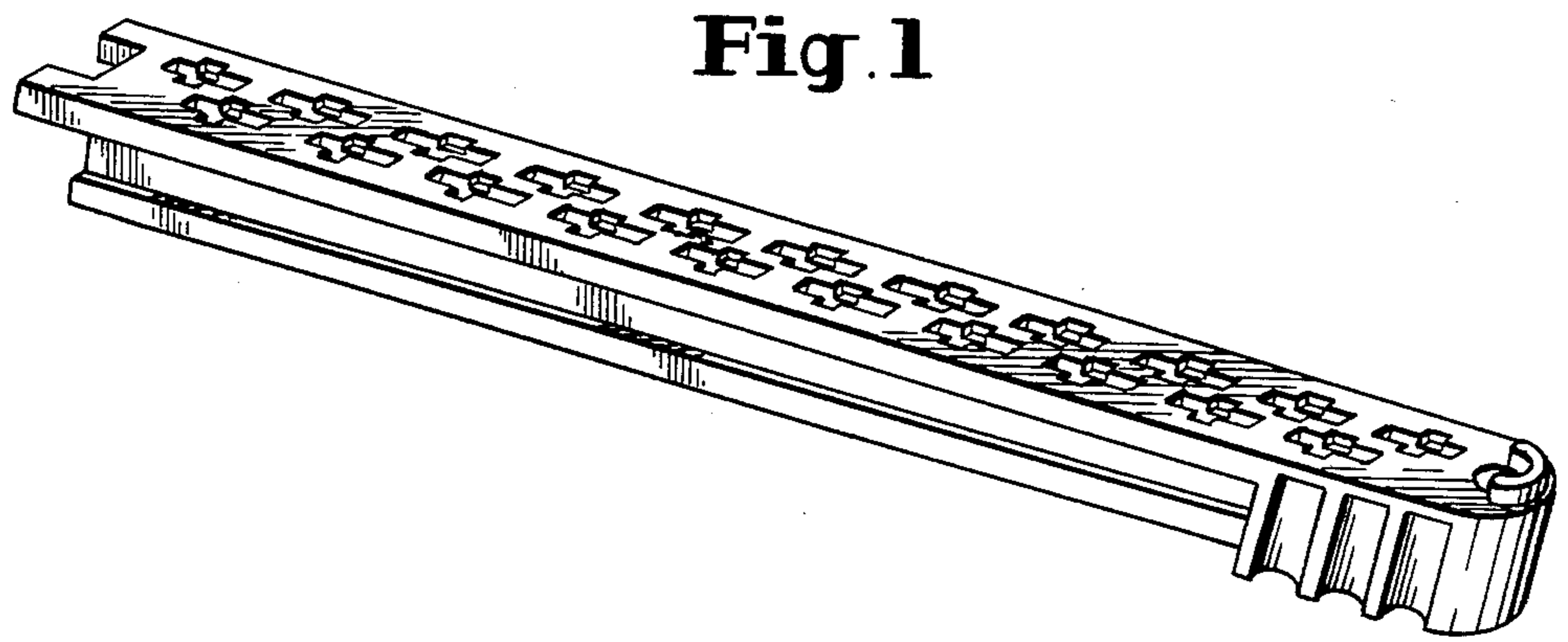


Fig. 2

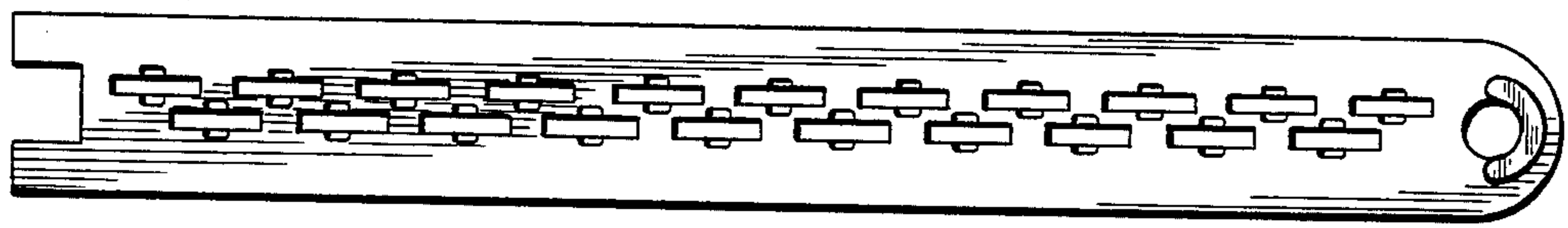


Fig. 3

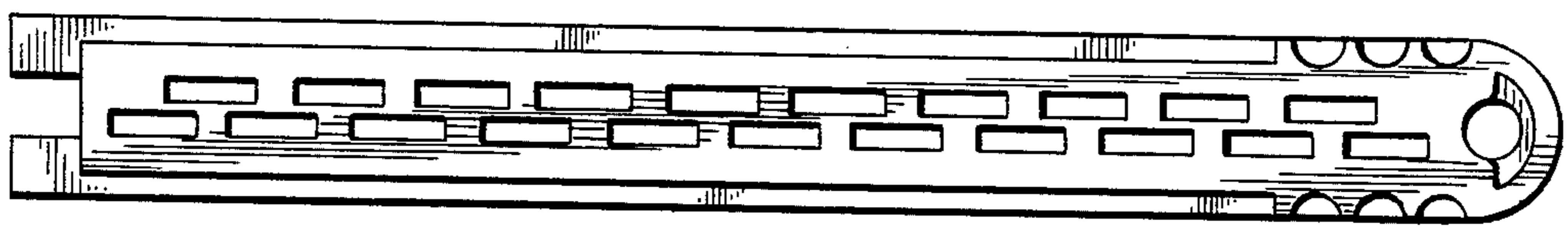


Fig. 4

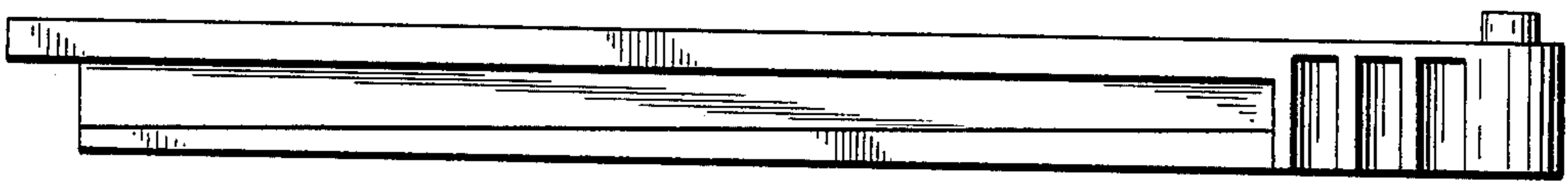


Fig. 5

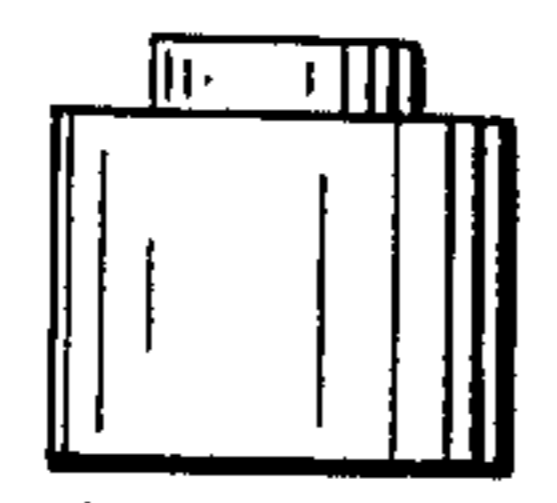
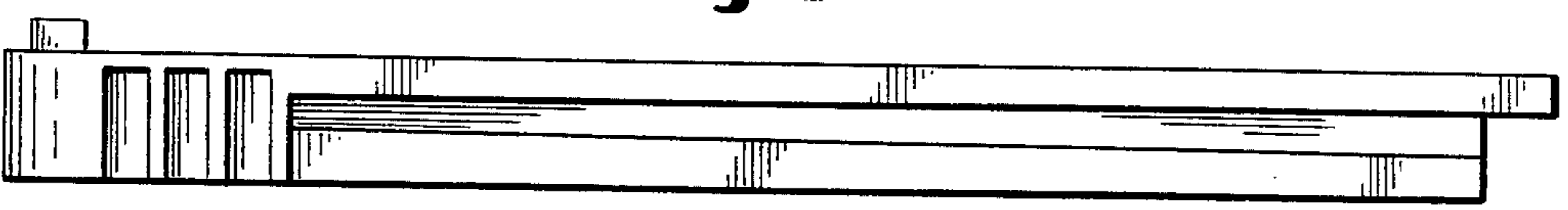


Fig. 6

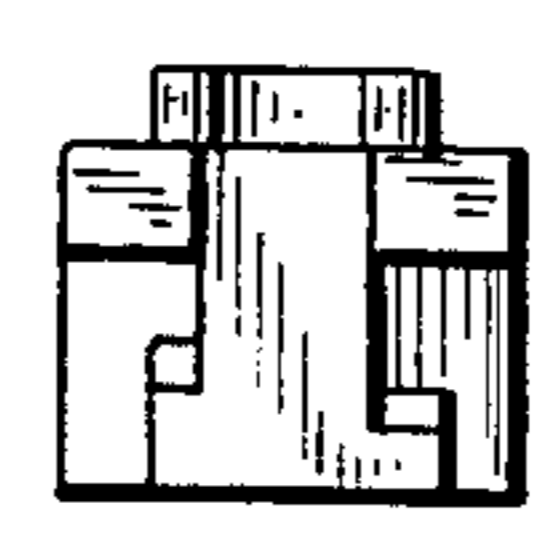


Fig. 7