

[54] LAVATORY

[75] Inventor: Myron J. Ament, Bethel Park, Pa.

[73] Assignee: Household Manufacturing, Inc., Prospect Heights, Ill.

[**] Term: 14 Years

[21] Appl. No.: 864,966

[22] Filed: May 19, 1986

[52] U.S. Cl. D23/291

[58] Field of Search D23/284-294; 4/353, 619, 630, 638, 661, 663-665

[56] References Cited

U.S. PATENT DOCUMENTS

| | | | | |
|------------|---------|-----------------|-------|---------|
| D. 84,498 | 6/1931 | Steele | | D23/294 |
| D. 88,748 | 12/1932 | Brain | | D23/291 |
| D. 90,757 | 9/1933 | Farrar | | D23/291 |
| D. 101,445 | 10/1936 | Dreyfuss et al. | | D23/291 |
| D. 215,291 | 9/1969 | Owings | | D23/294 |
| D. 222,586 | 11/1971 | Hives | | D23/294 |
| D. 224,308 | 7/1972 | Laver et al. | | D23/291 |

| | | | | |
|------------|---------|--------------|-------|-----------|
| D. 228,500 | 10/1973 | Ritzenthaler | | D23/294 |
| 2,767,407 | 10/1956 | Weiss | | D23/284 X |
| 3,813,706 | 6/1974 | Williams | | D23/291 X |

OTHER PUBLICATIONS

American Builder, Dec. 1966, p. 89, "181-Oval Lavatory" item.

Primary Examiner—James R. Largen
Attorney, Agent, or Firm—Harness, Dickey & Pierce

[57] CLAIM

The ornamental design for a lavatory, as shown and described.

DESCRIPTION

FIG. 1 is a top, front perspective view of a lavatory showing my new design;
FIG. 2 is a top plan view thereof;
FIG. 3 is a front elevational view thereof;
FIG. 4 is a rear elevational view thereof;
FIG. 5 is a right side elevational view thereof, the left side being a mirror image of the right side shown; and
FIG. 6 is a bottom plan view thereof.

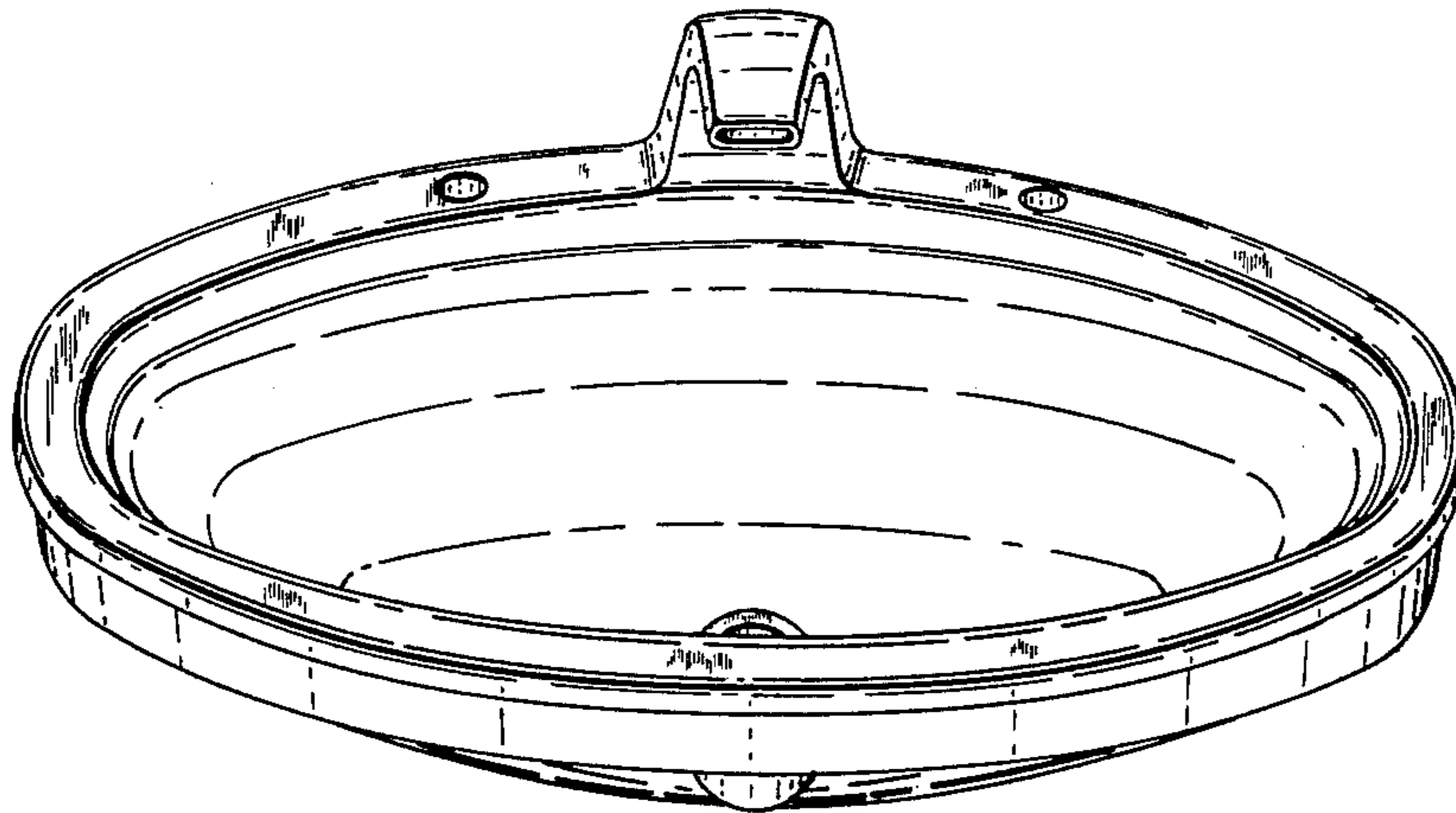


FIG. 1.

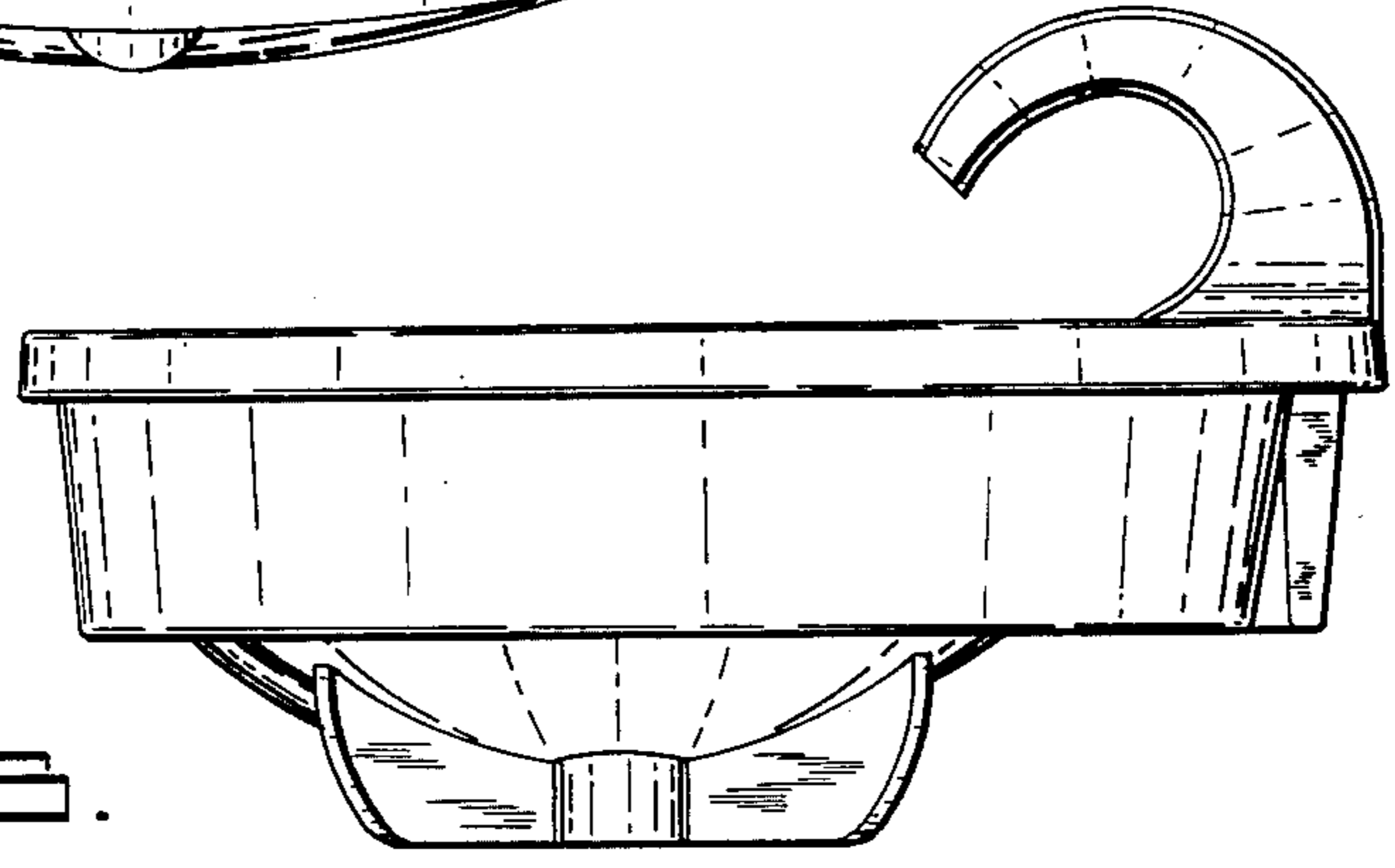
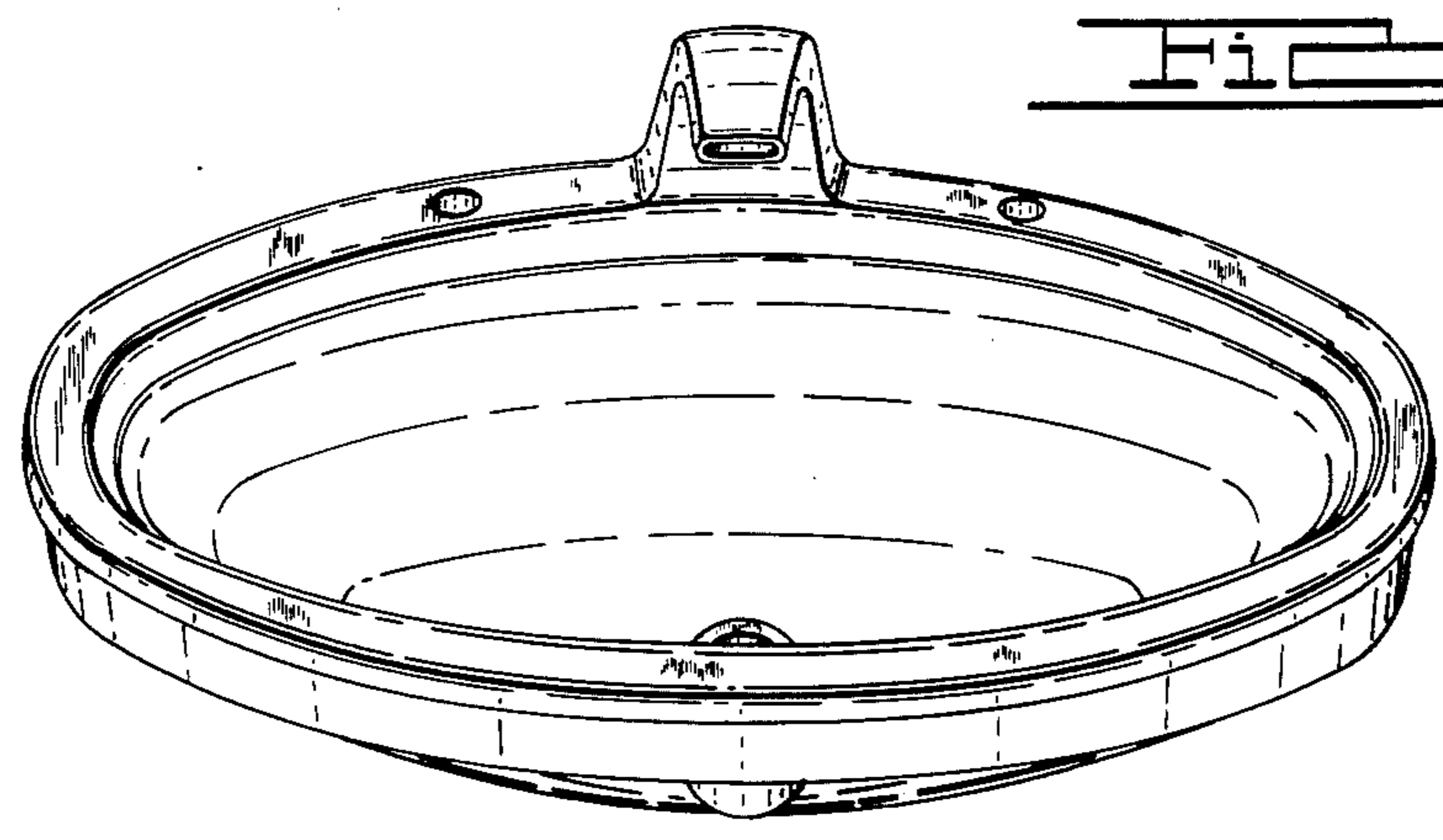


FIG. 2.

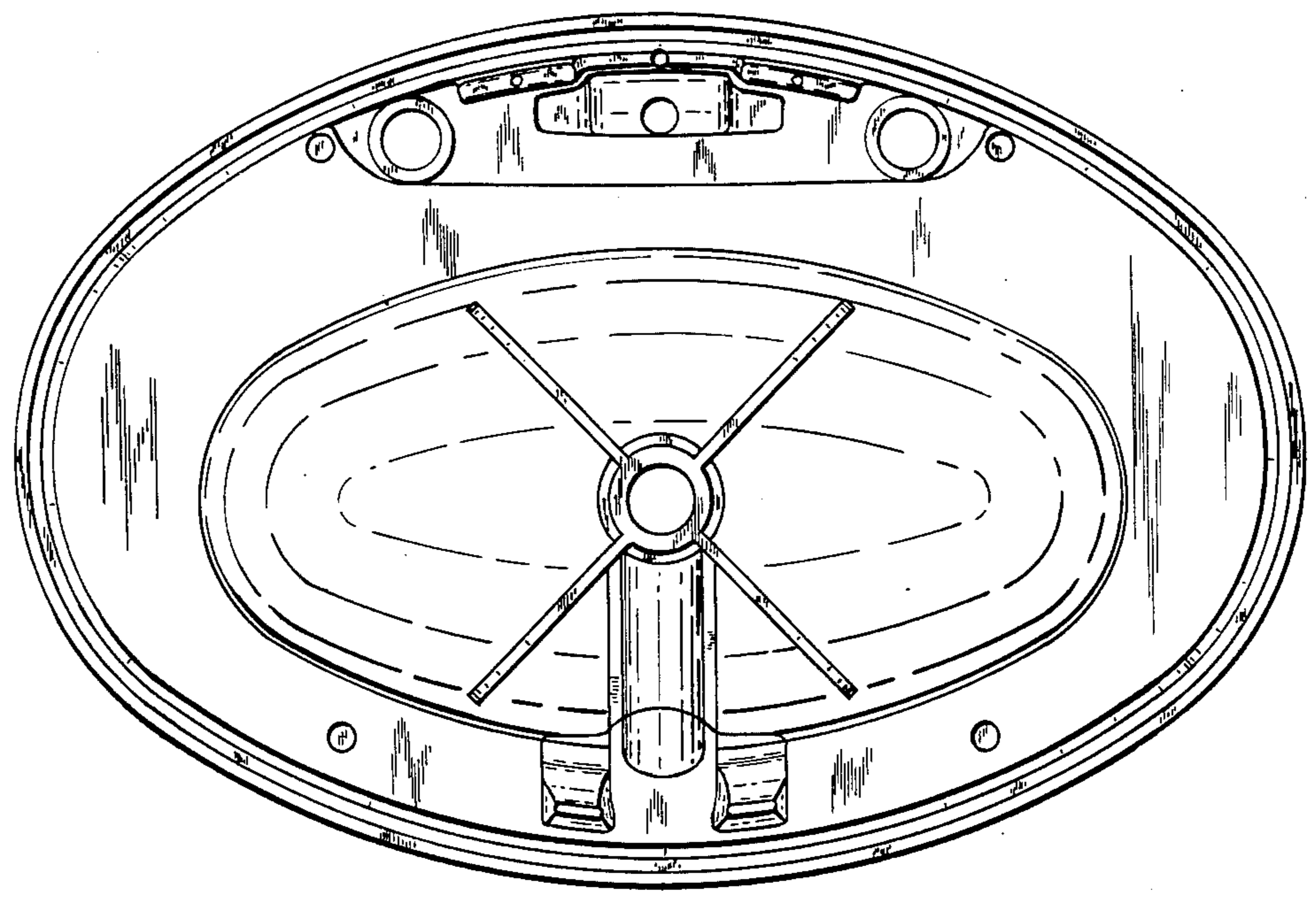


FIG. 3.

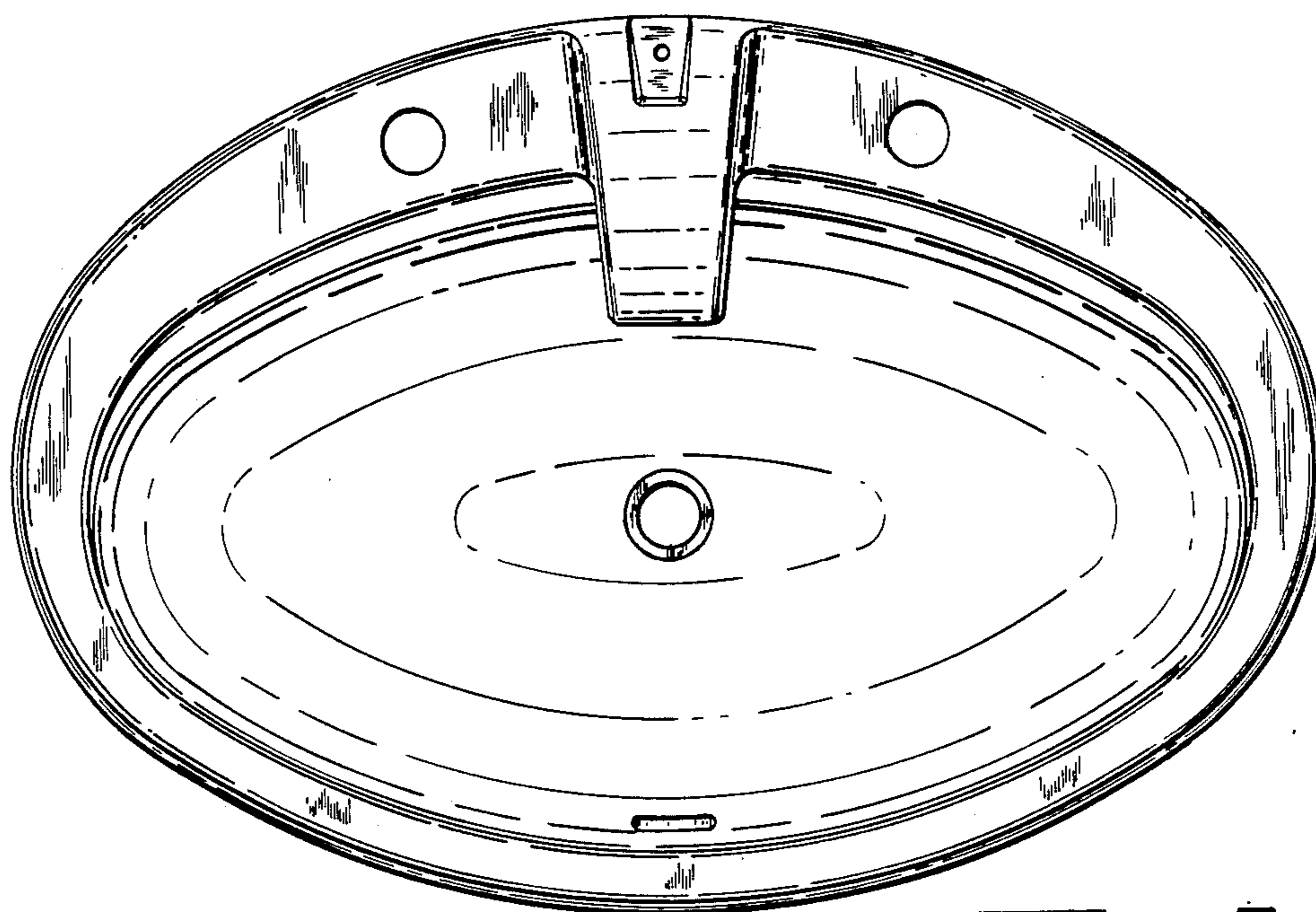


FIG. 2.

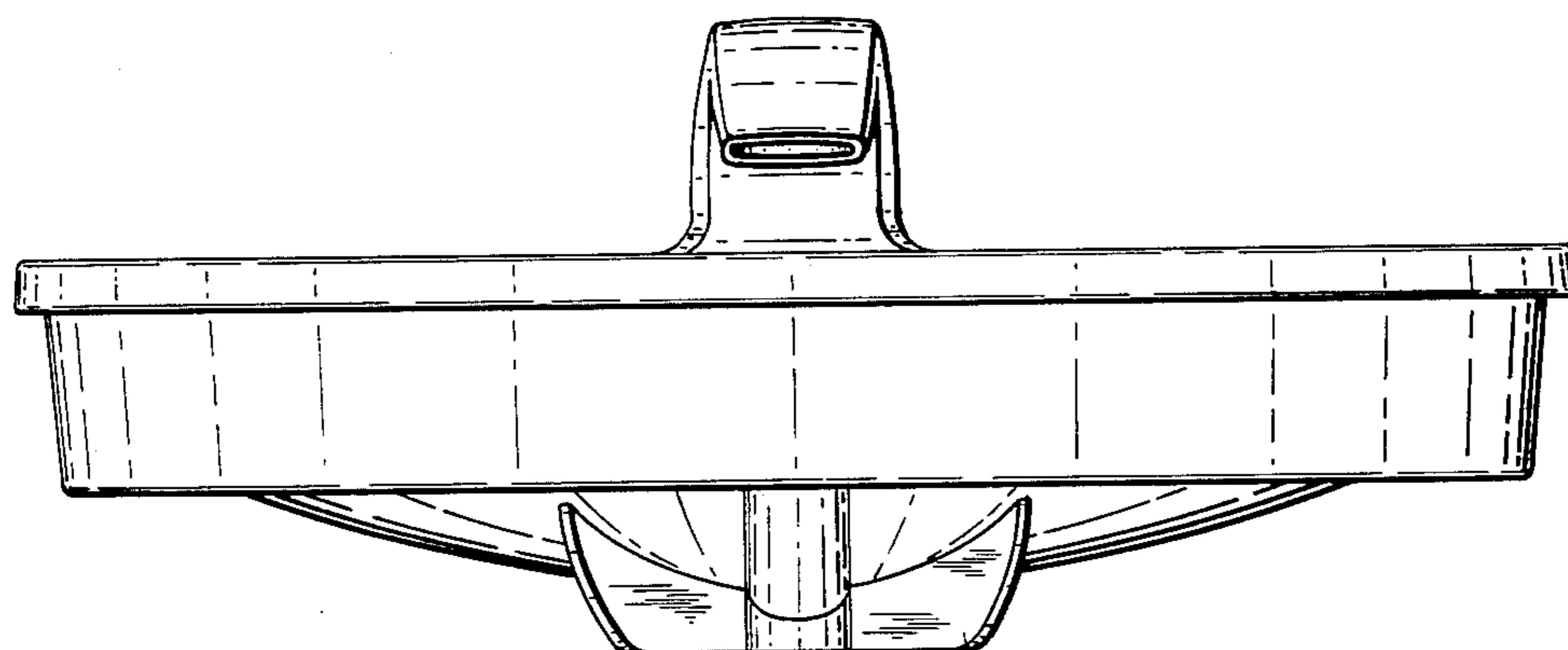


FIG. 3.

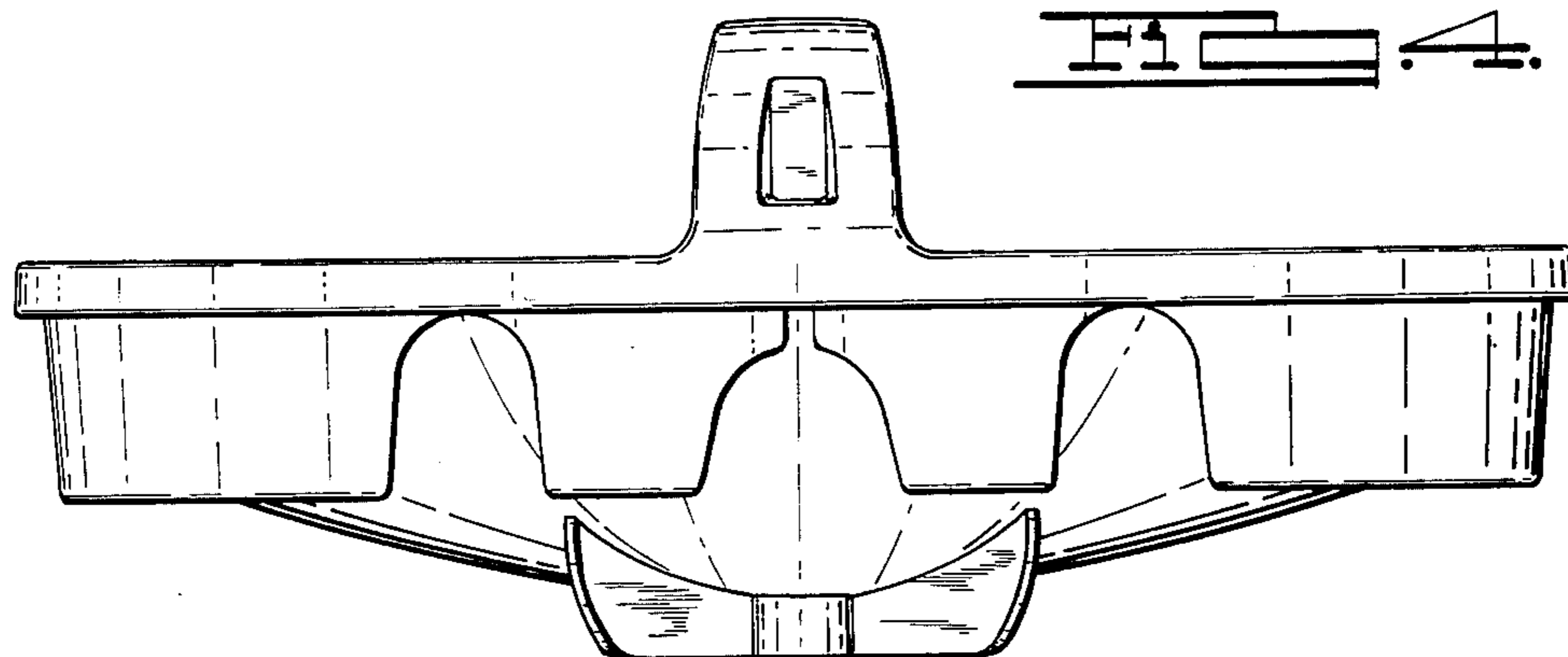


FIG. 4.