

United States Patent [19]

Ament

[11] Patent Number: Des. 298,963

[45] Date of Patent: ** Dec. 13, 1988

[54] LAVATORY

[75] Inventor: Myron J. Ament, Bethel Park, Pa.

[73] Assignee: Household Manufacturing, Inc.,
Prospect Heights, Ill.

[**] Term: 14 Years

[21] Appl. No.: 864,941

[22] Filed: May 19, 1986

[52] U.S. Cl. D23/291

[58] Field of Search D23/284-294;
4/353, 619, 630, 638, 661, 663-665

D. 228,500 10/1973 Ritzenthaler D23/294
2,767,407 10/1956 Weiss D23/284 X
3,813,706 6/1974 Williams D23/291 X

OTHER PUBLICATIONS

American Builder, Dec. 1966, p. 89, "181-Oval Lavatory" item.

Primary Examiner—James R. Largen
Attorney, Agent, or Firm—Harness, Dickey & Pierce

[57] CLAIM

The ornamental design for a lavatory, as shown and described.

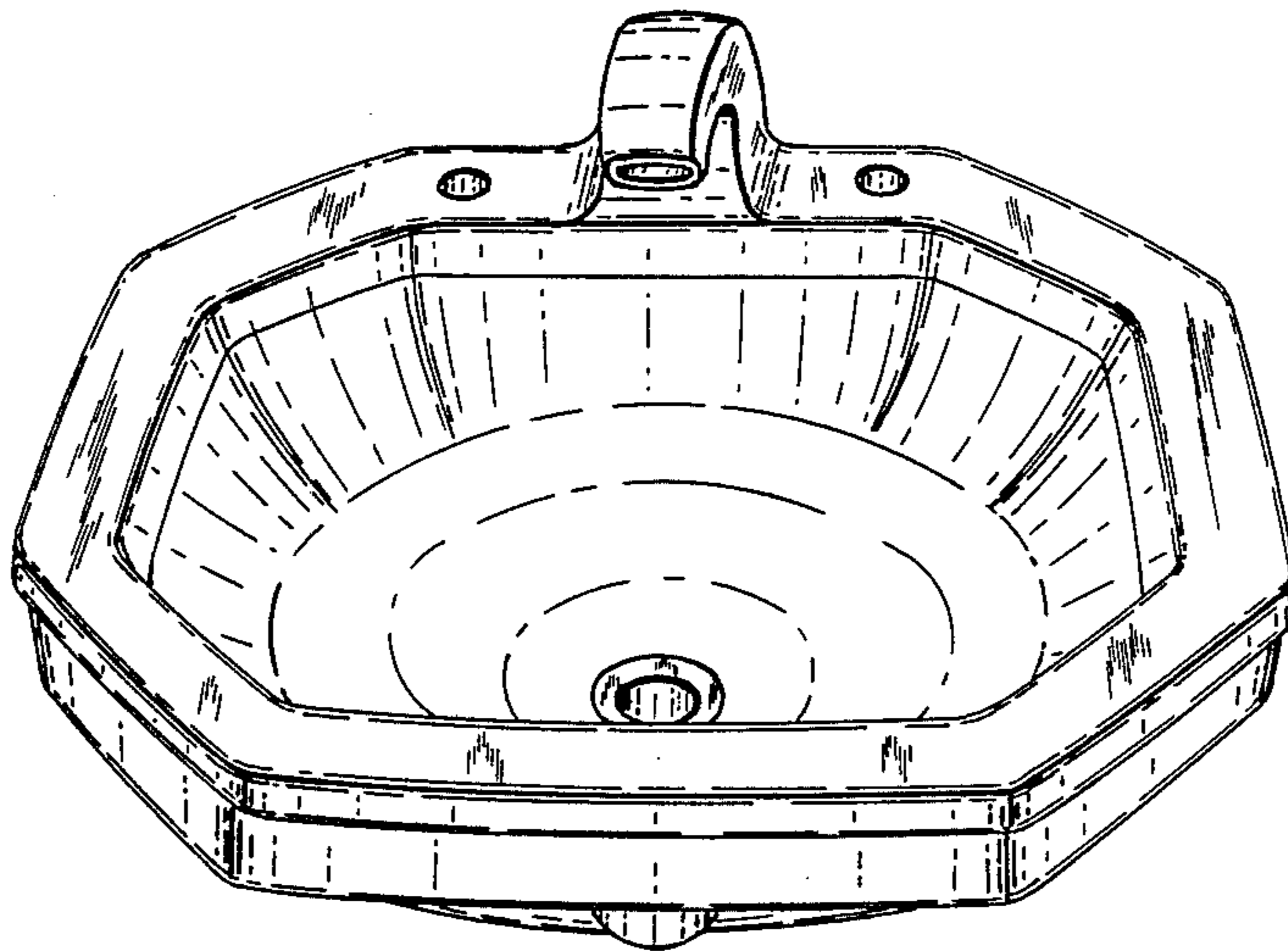
[56] References Cited

U.S. PATENT DOCUMENTS

- D. 84,498 6/1931 Steele D23/294
- D. 88,748 12/1932 Brain D23/291
- D. 90,757 9/1933 Farrar D23/291
- D. 101,445 10/1936 Dreyfuss et al. D23/291
- D. 215,291 9/1969 Owings D23/294
- D. 222,586 11/1971 Hives D23/294
- D. 224,308 7/1972 Lauer et al. D23/291

DESCRIPTION

FIG. 1 is a top, front perspective view of a lavatory showing my new design;
FIG. 2 is a top plan view thereof;
FIG. 3 is a front elevational view thereof;
FIG. 4 is a rear elevational view thereof;
FIG. 5 is a right side elevational view thereof, the left side being a mirror image of the right side shown; and
FIG. 6 is a bottom plan view thereof.



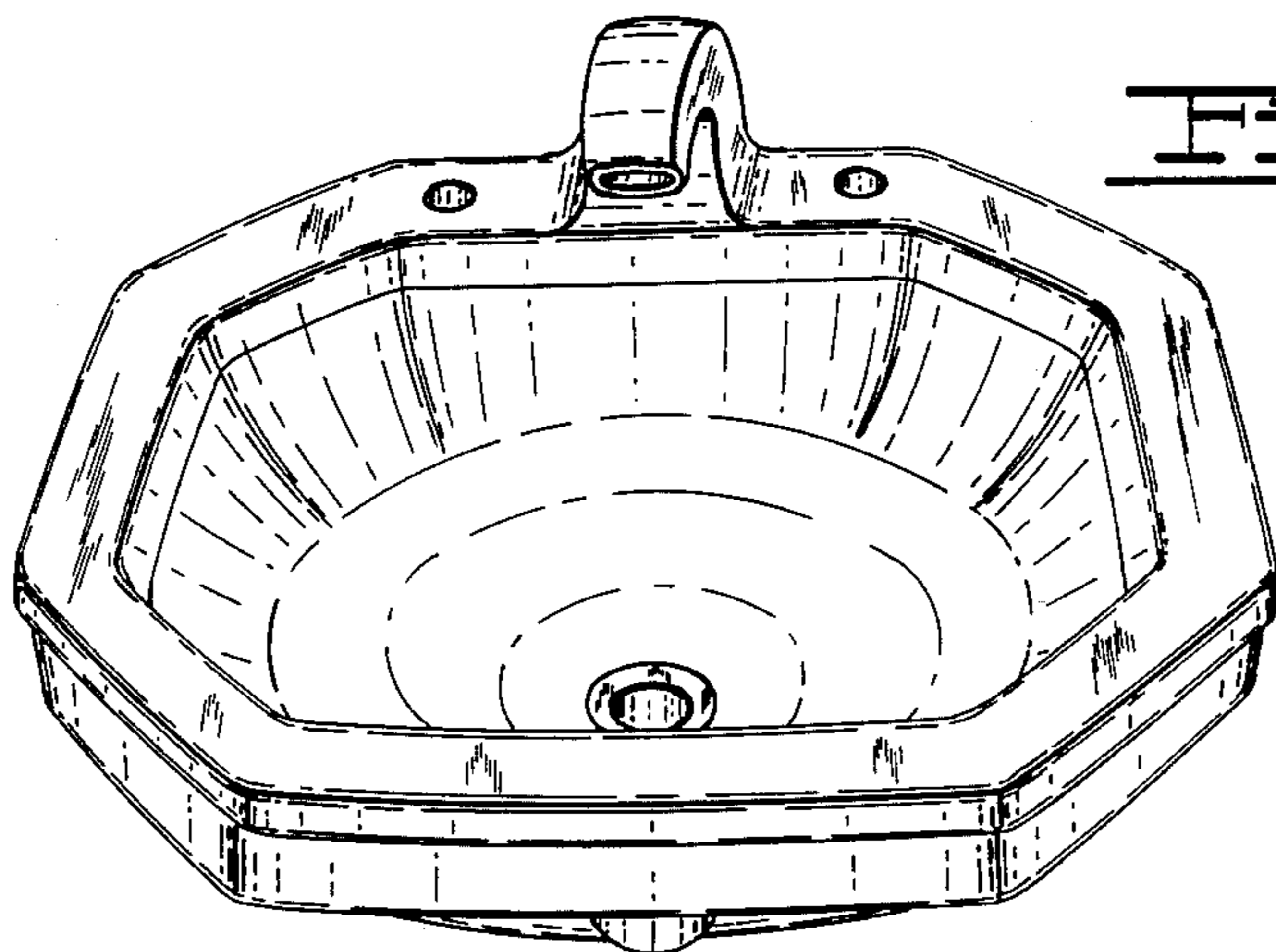


Fig. 1.

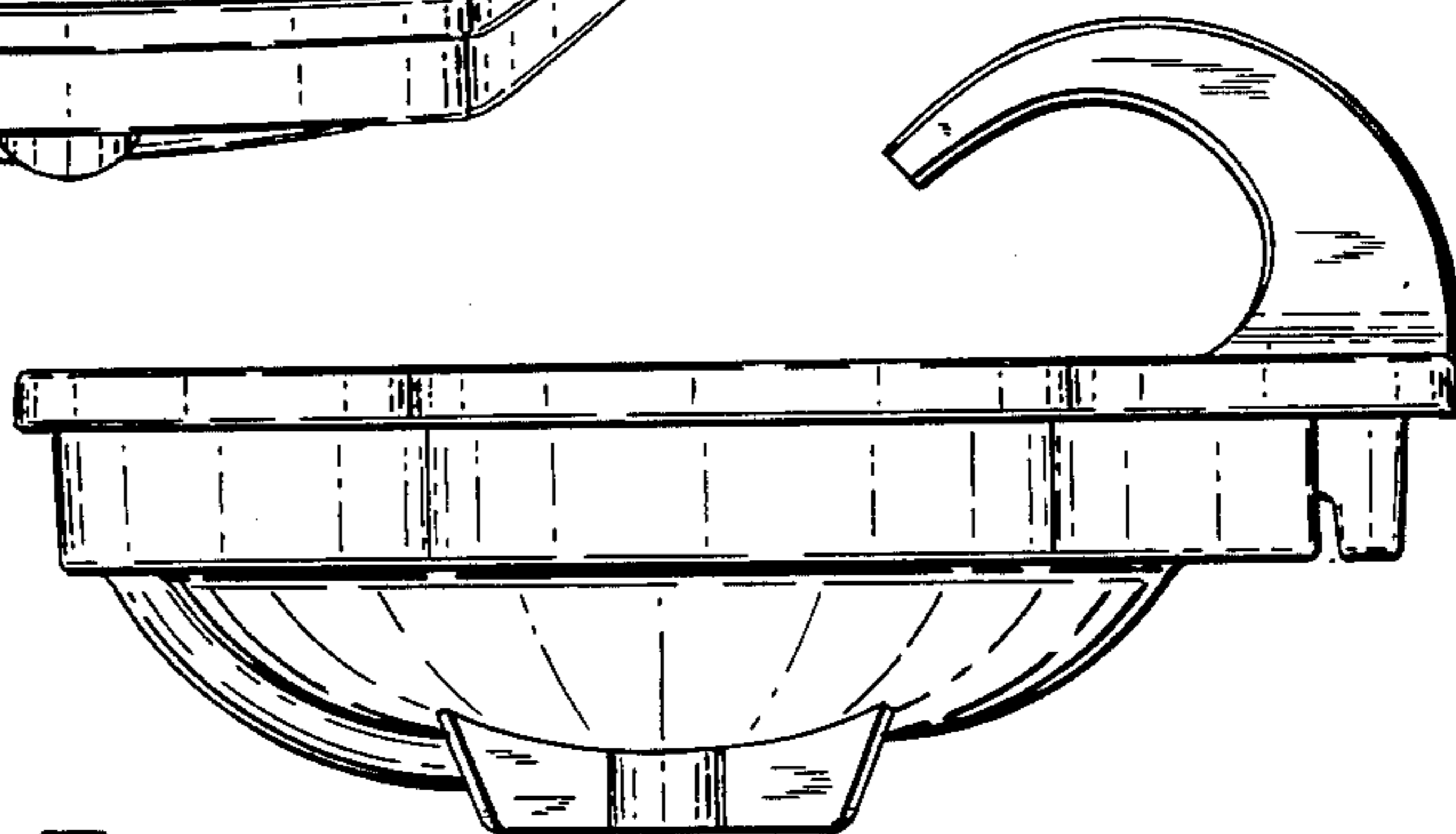


Fig. 2.

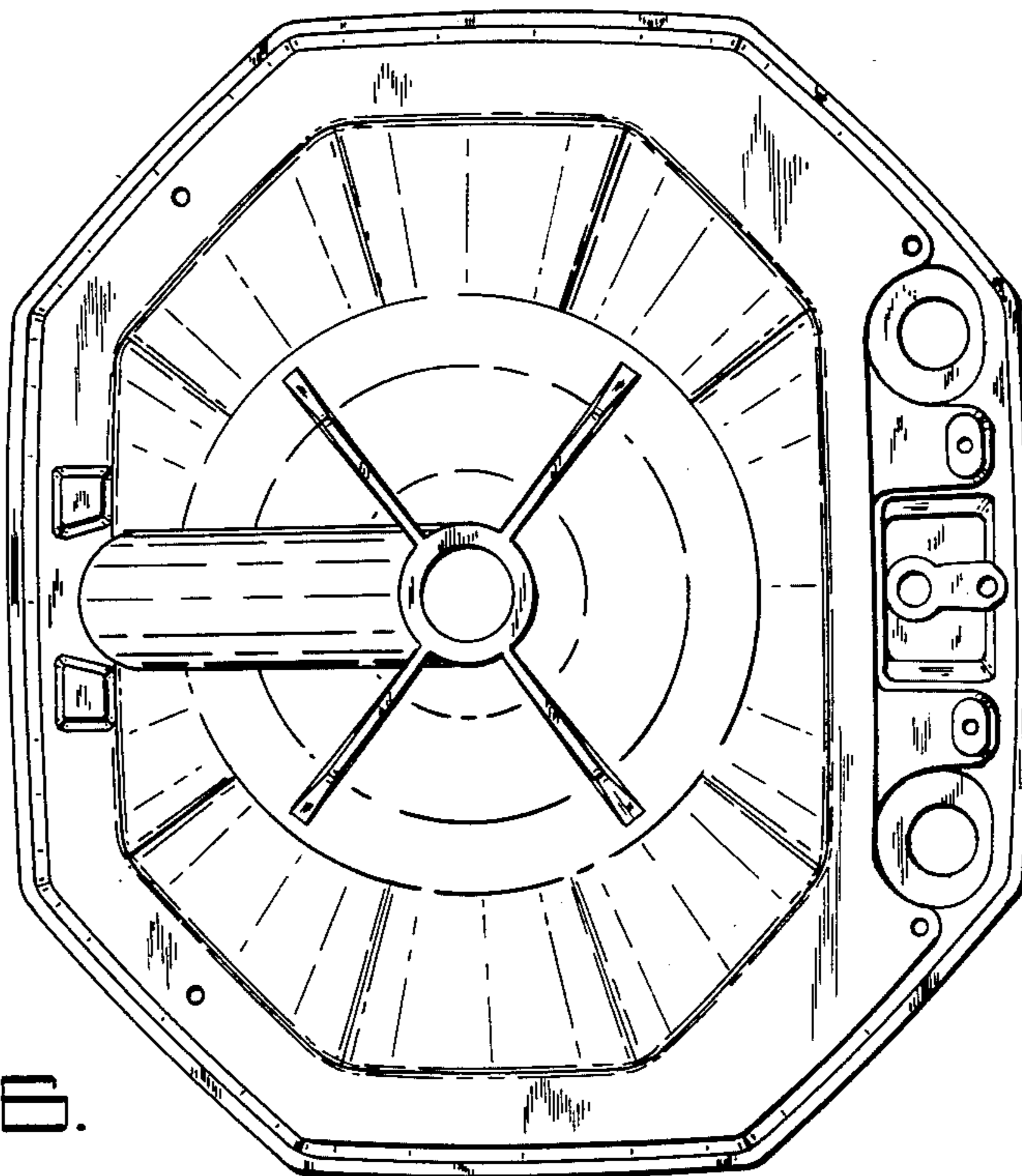


Fig. 3.

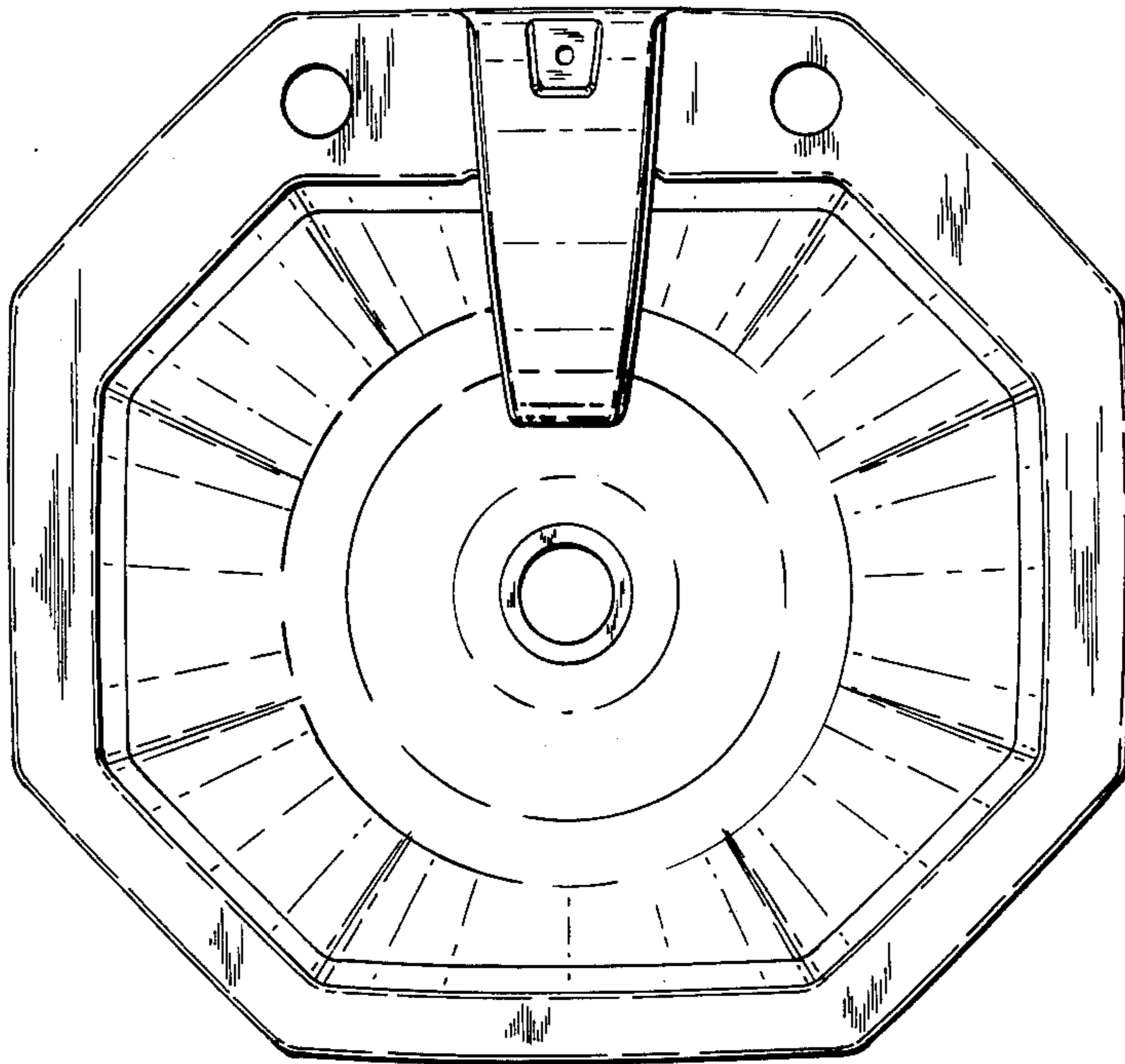


FIG. 2.

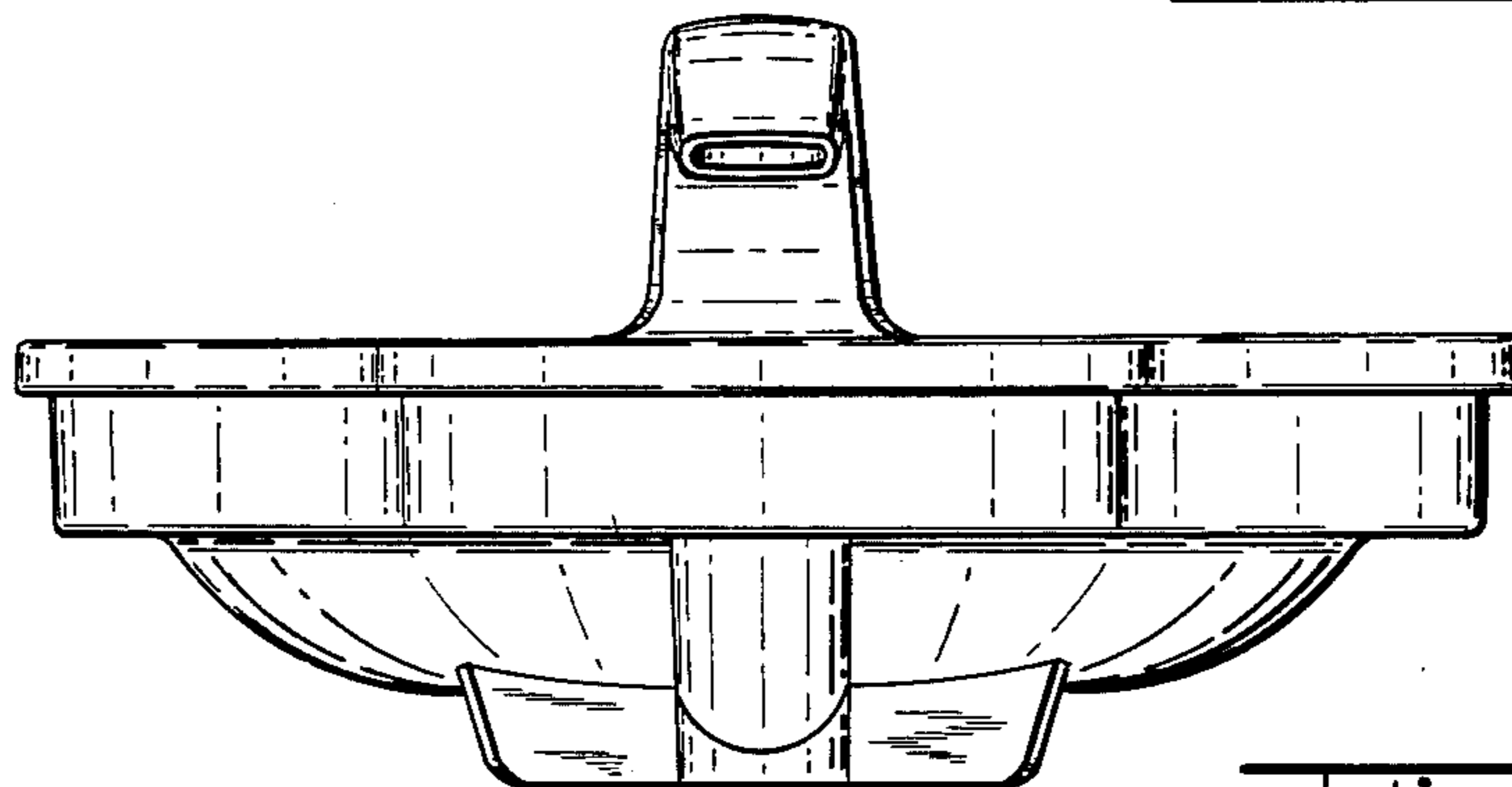


FIG. 3.

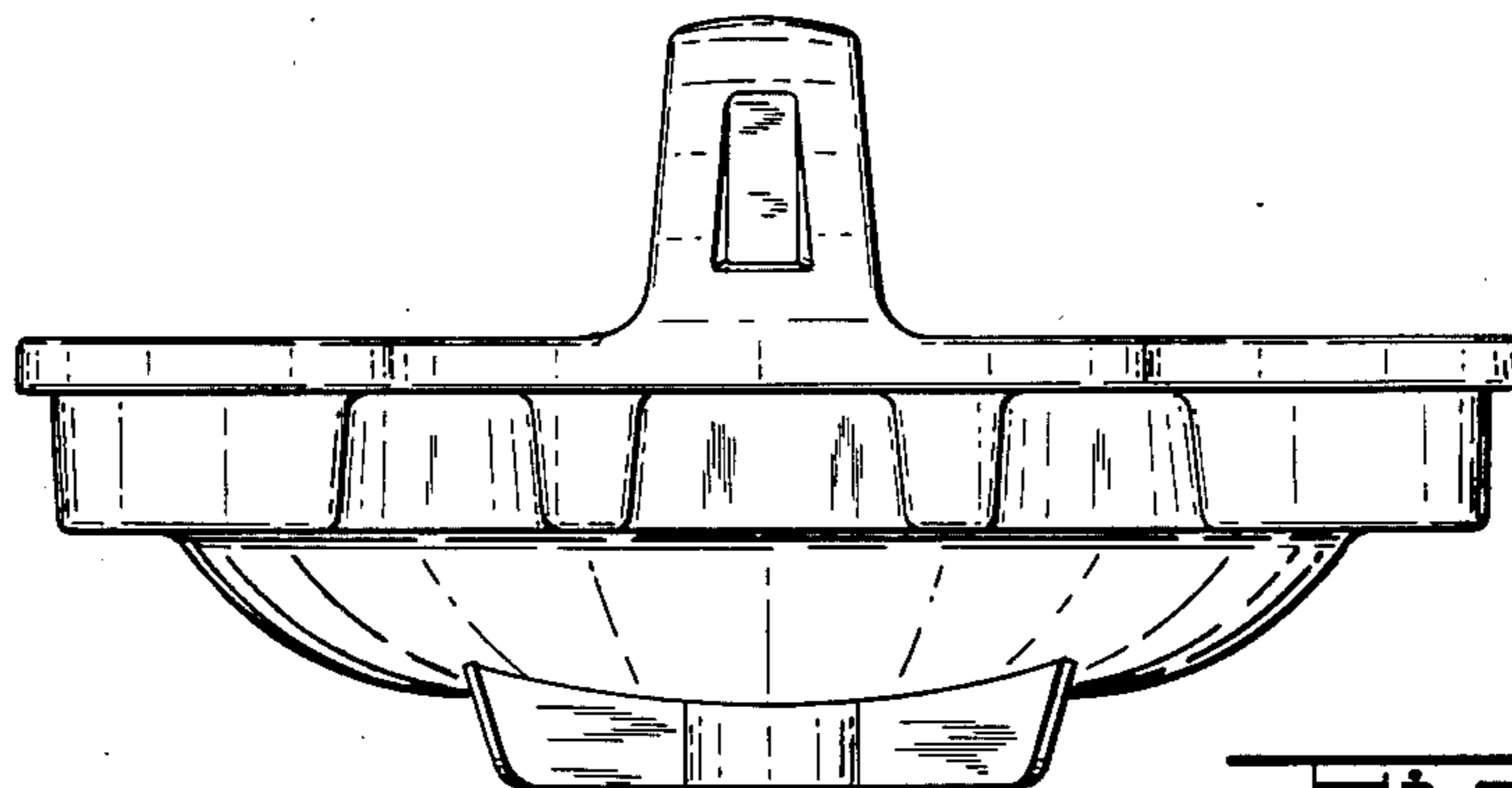


FIG. 4.