

United States Patent [19]

Zovar

[11] Patent Number: **Des. 298,955**

[45] Date of Patent: **** Dec. 13, 1988**

[54] **CLIP BOARD**

[76] Inventor: **Alan P. Zovar**, 18333 Hatteras St.,
#28, Tarzana, Calif. 91356

[**] Term: **14 Years**

[21] Appl. No.: **737,713**

[22] Filed: **May 28, 1985**

[52] U.S. Cl. **D19/88**

[58] Field of Search **D19/88, 65, 91;**
24/67.7, 67.11, 67.3; 248/452, 456, 460;
D6/310; 108/43

[56] **References Cited**

U.S. PATENT DOCUMENTS

- D. 272,547 2/1984 Gordon D19/91
- D. 278,109 3/1985 Leeds D19/91
- D. 284,777 7/1986 Anthony D19/91

- 3,968,546 7/1976 Seaburn 24/67.11
- 4,375,296 3/1983 Chang 24/67.3

Primary Examiner—Charles A. Rademaker
Attorney, Agent, or Firm—Lewis Anten

[57] **CLAIM**

The ornamental design for a clip board, as shown as described.

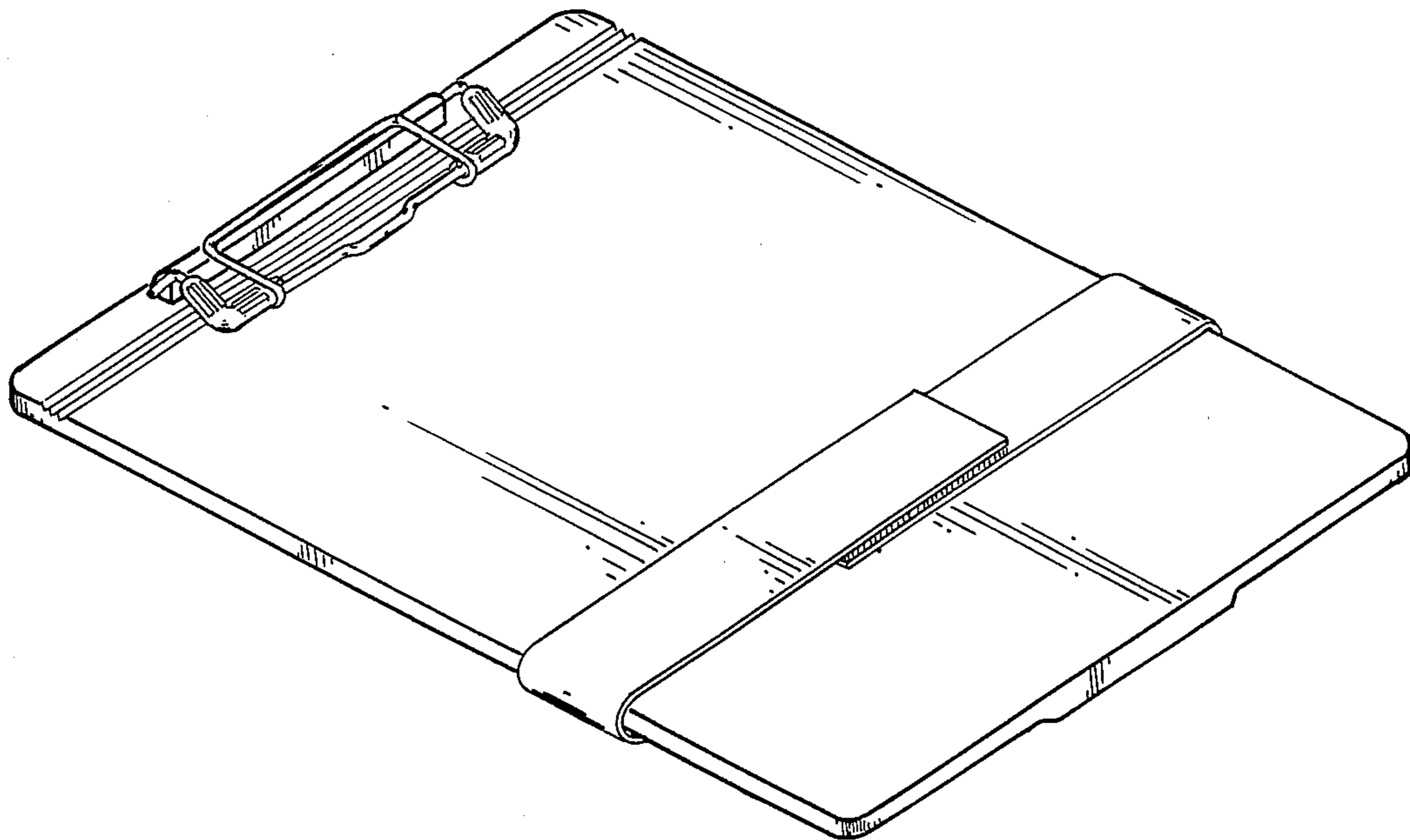
DESCRIPTION

FIG. 1 is a perspective view of a clip board showing my new design;

FIG. 2 is another perspective view thereof with the strap member removed and the clip member in an alternate position;

FIG. 3 is a side elevational view thereof, the side opposite being a mirror image; and

FIG. 4 is a bottom perspective view thereof.



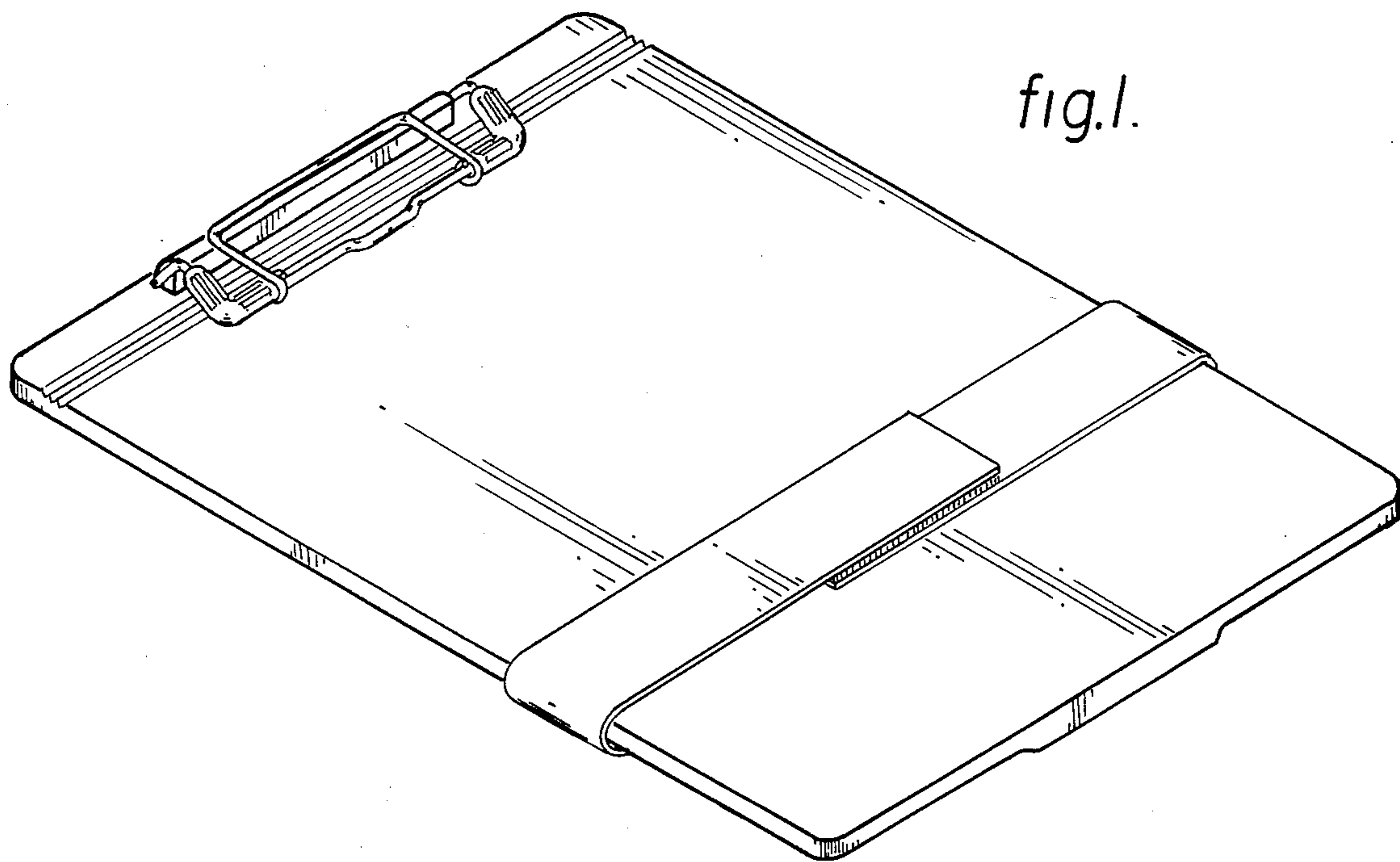


fig. 1.

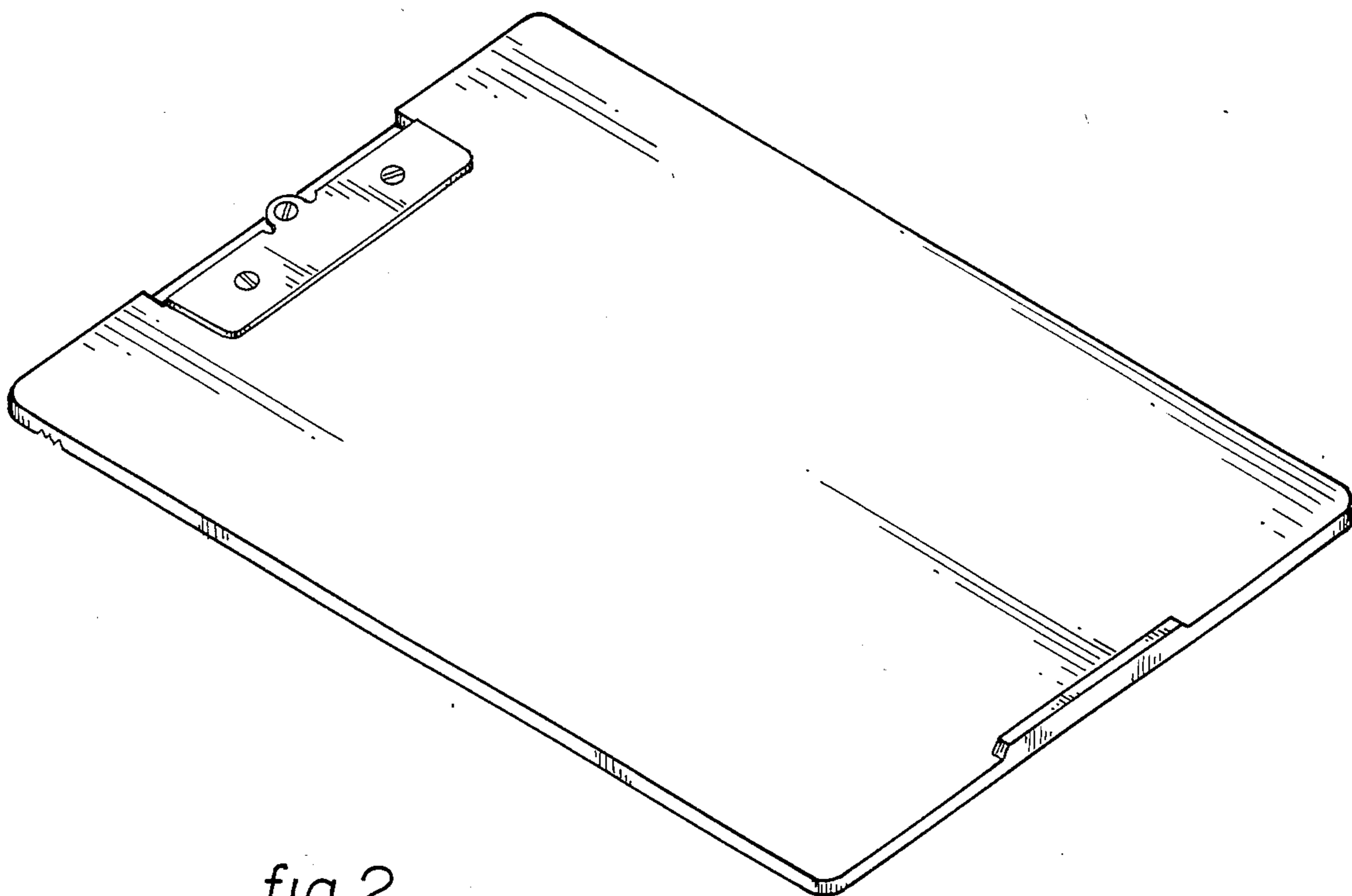


fig. 2.

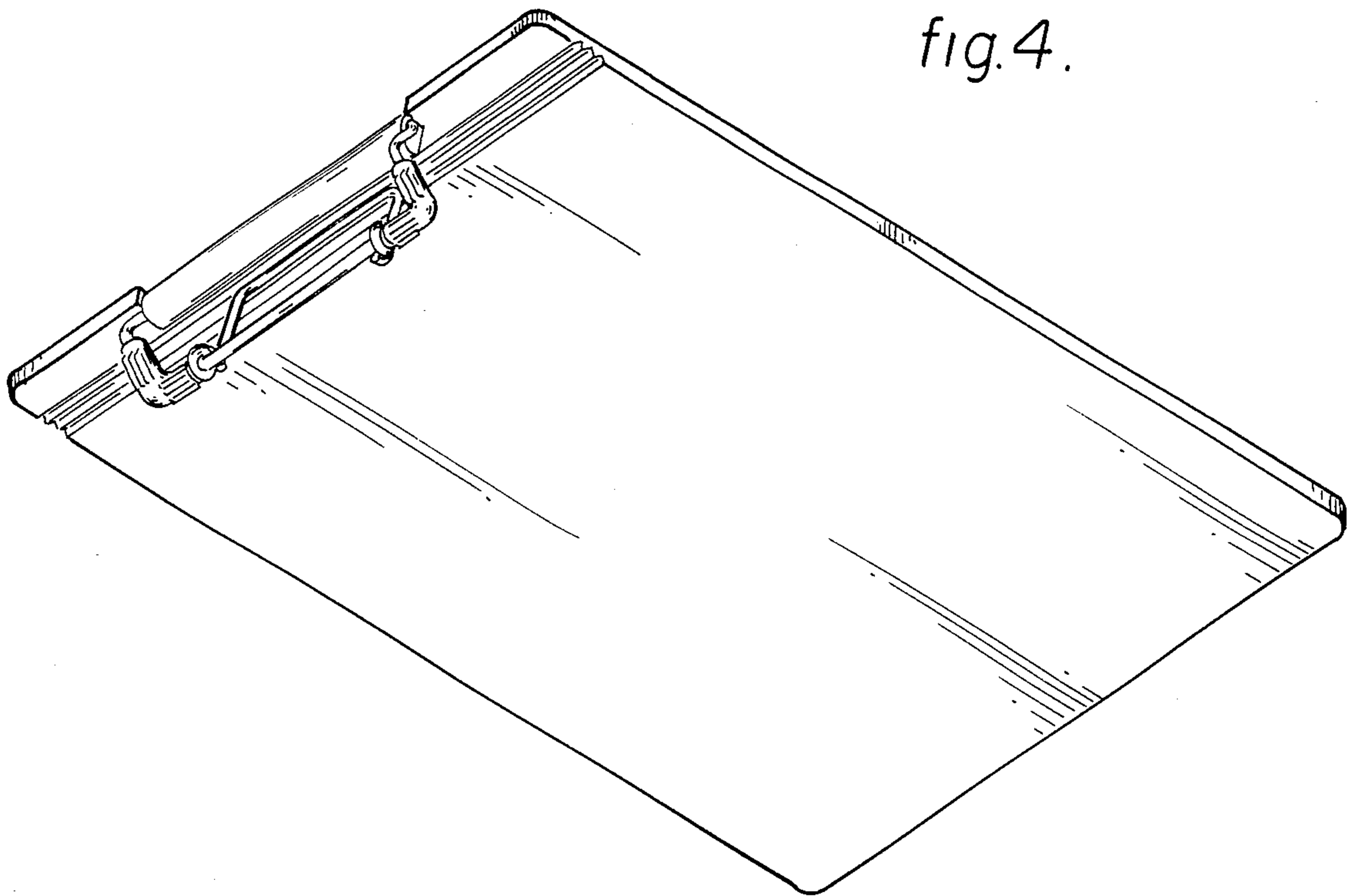


fig.4.

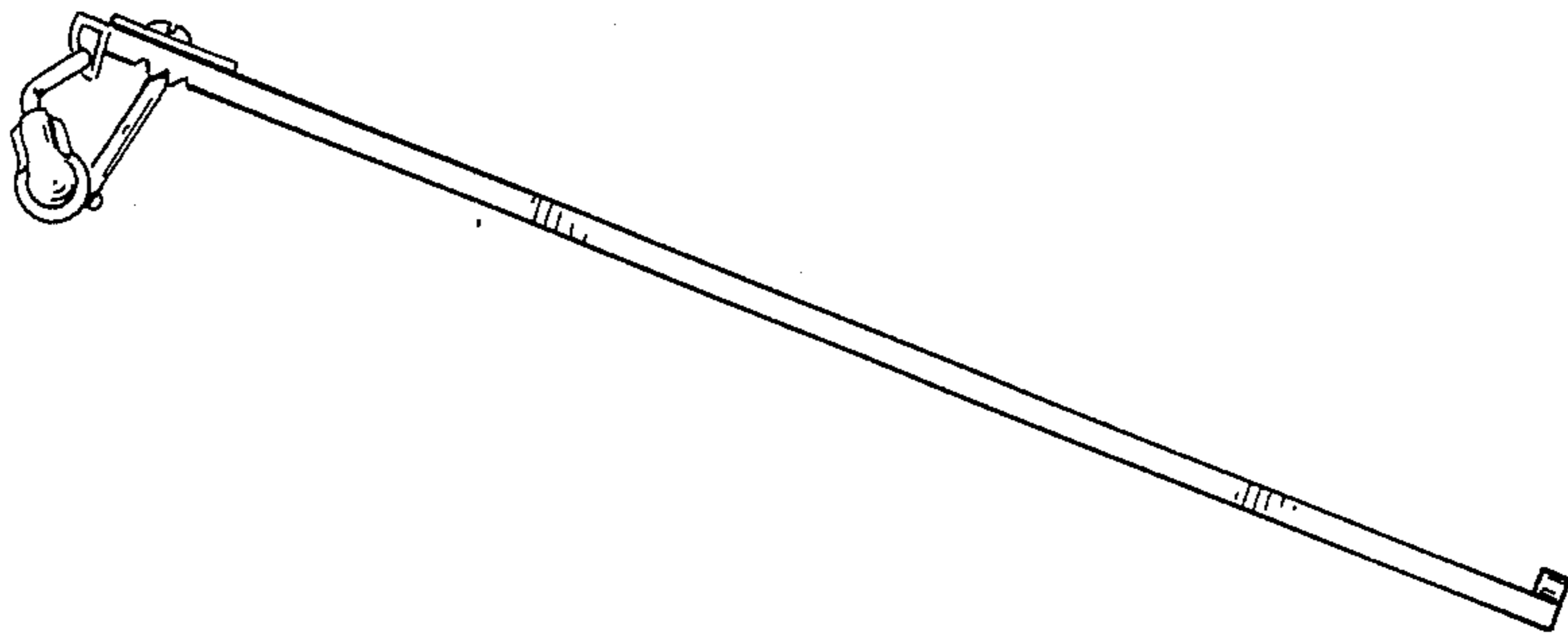


fig.3.