

[54] **TAPE CORE MANDREL**

[75] **Inventor: Dennis L. Crawford, Roberts, Wis.**

[73] **Assignee: Minnesota Mining and Manufacturing Company, Saint Paul, Minn.**

[**] **Term: 14 Years**

[21] **Appl. No.: 749,668**

[22] **Filed: Jun. 28, 1985**

[52] **U.S. Cl. D19/67**

[58] **Field of Search D19/67, 99; D21/108; 242/68, 68.1, 68.3, 68.5**

[56] **References Cited**

U.S. PATENT DOCUMENTS

D. 263,400	3/1982	Sato	D19/67
4,050,649	9/1977	Haag	242/68
4,315,608	2/1982	Bettenhausen	242/68

FOREIGN PATENT DOCUMENTS

597057 4/1934 Fed. Rep. of Germany 242/68.5

Primary Examiner—Charles A. Rademaker
Attorney, Agent, or Firm—Donald M. Sell; John C. Barnes

[57] **CLAIM**

The ornamental design for a tape core mandrel, substantially as shown.

DESCRIPTION

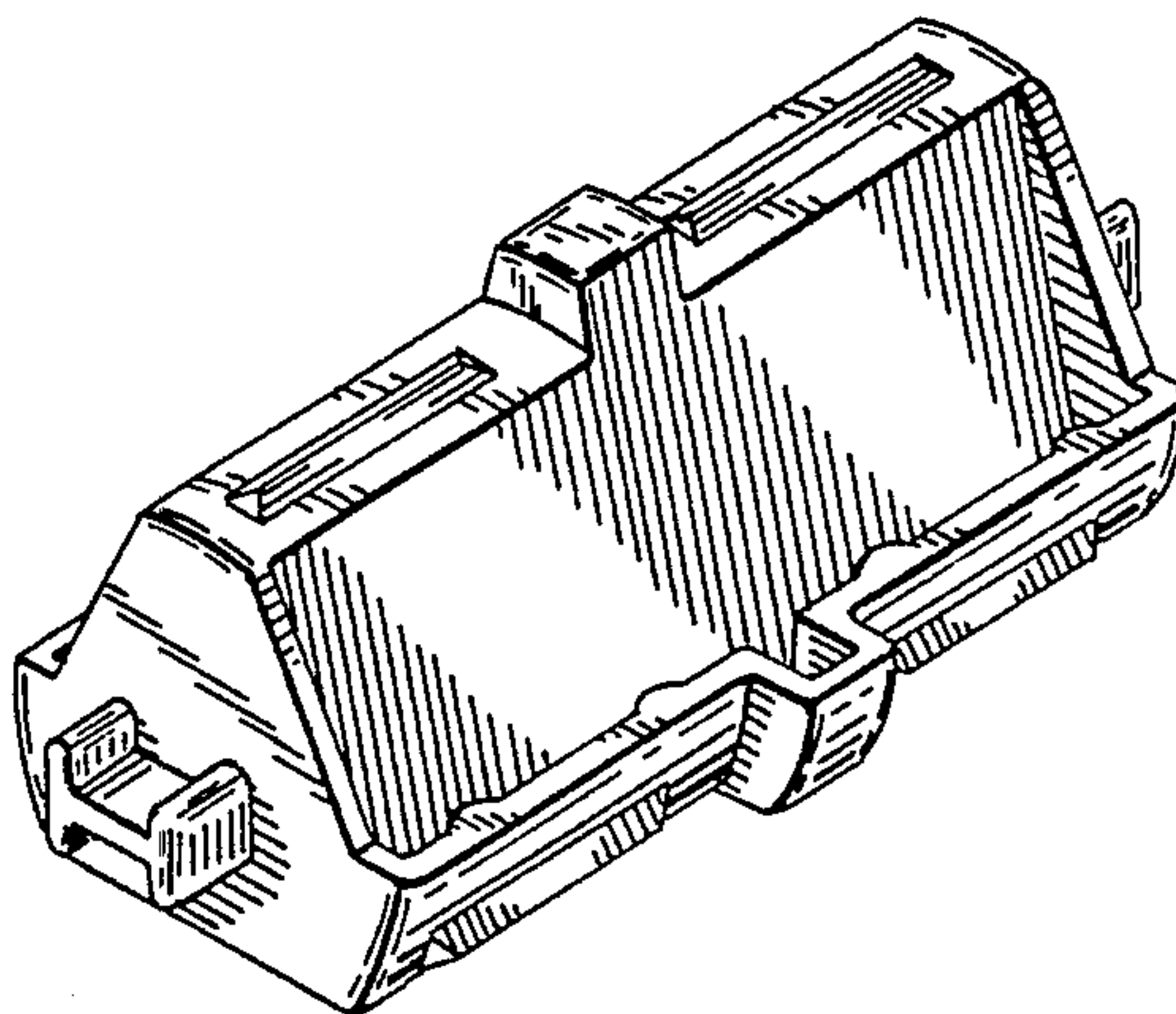
FIG. 1 is a perspective view of a tape core mandrel showing my new design;

FIG. 2 is a top plan view thereof;

FIG. 3 is a front elevational view, the rear elevation being a mirror image thereof;

FIG. 4 is a bottom view thereof; and

FIG. 5 is a right side elevational view, the left side being a mirror image thereof.



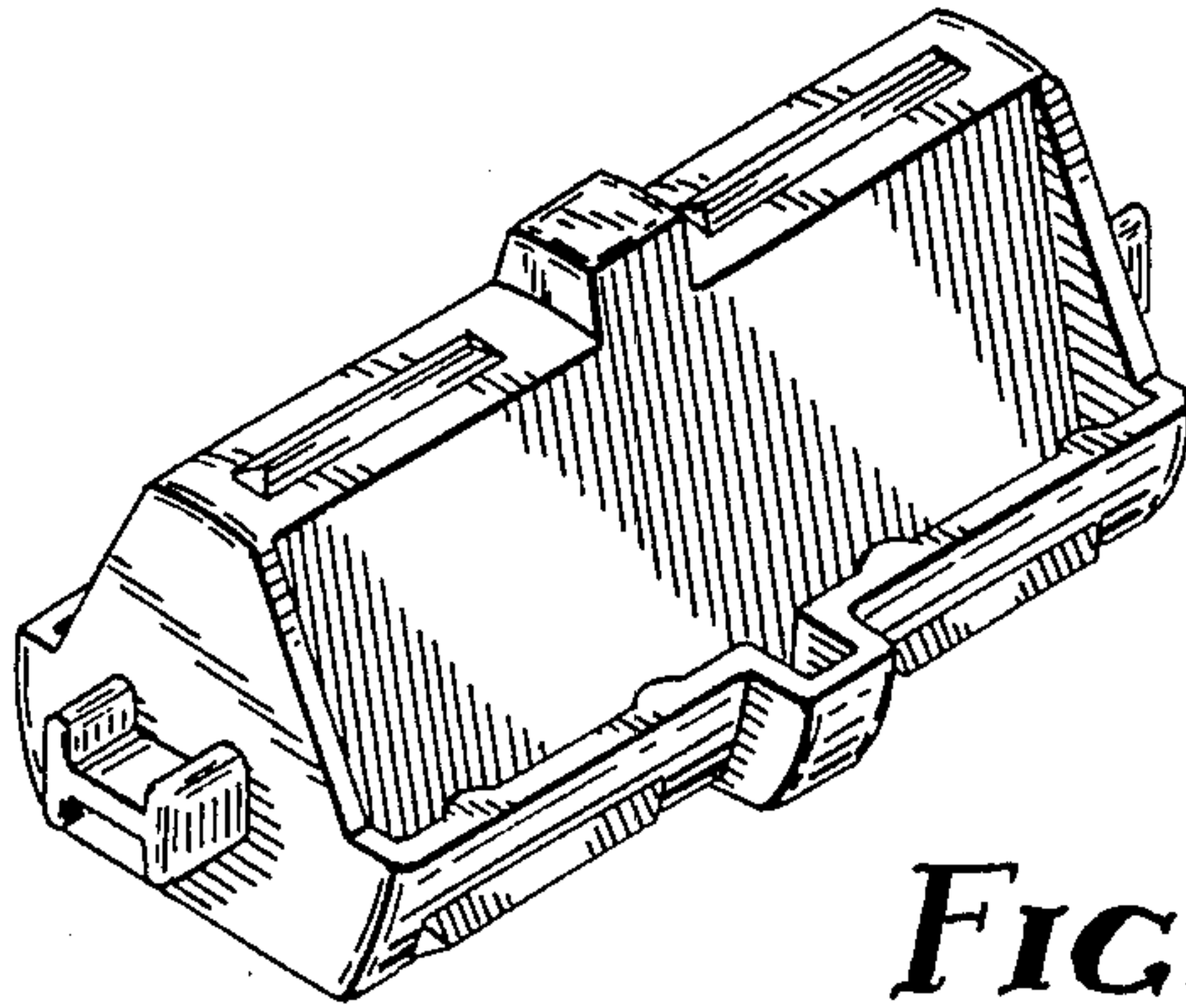


FIG. 1

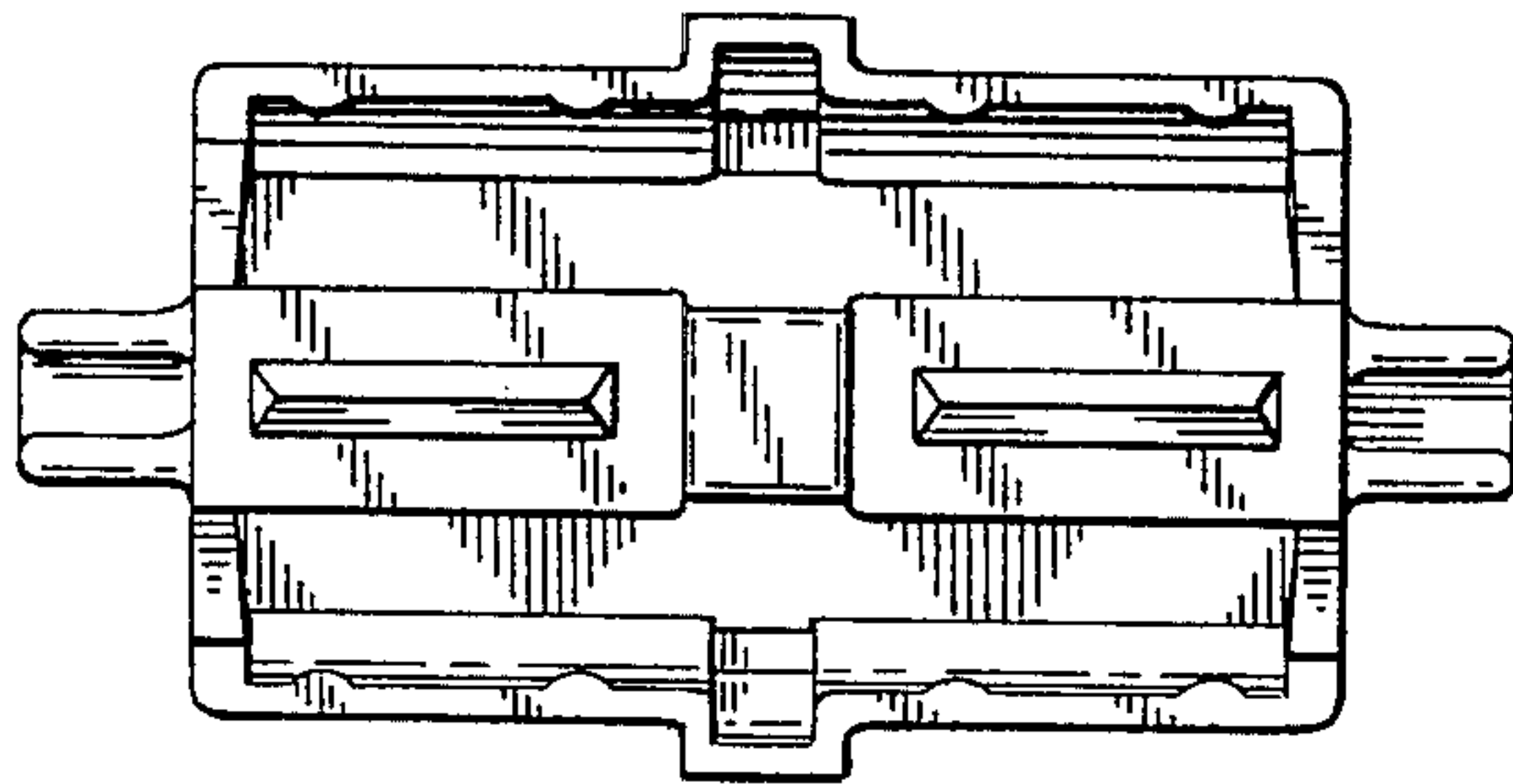


FIG. 2

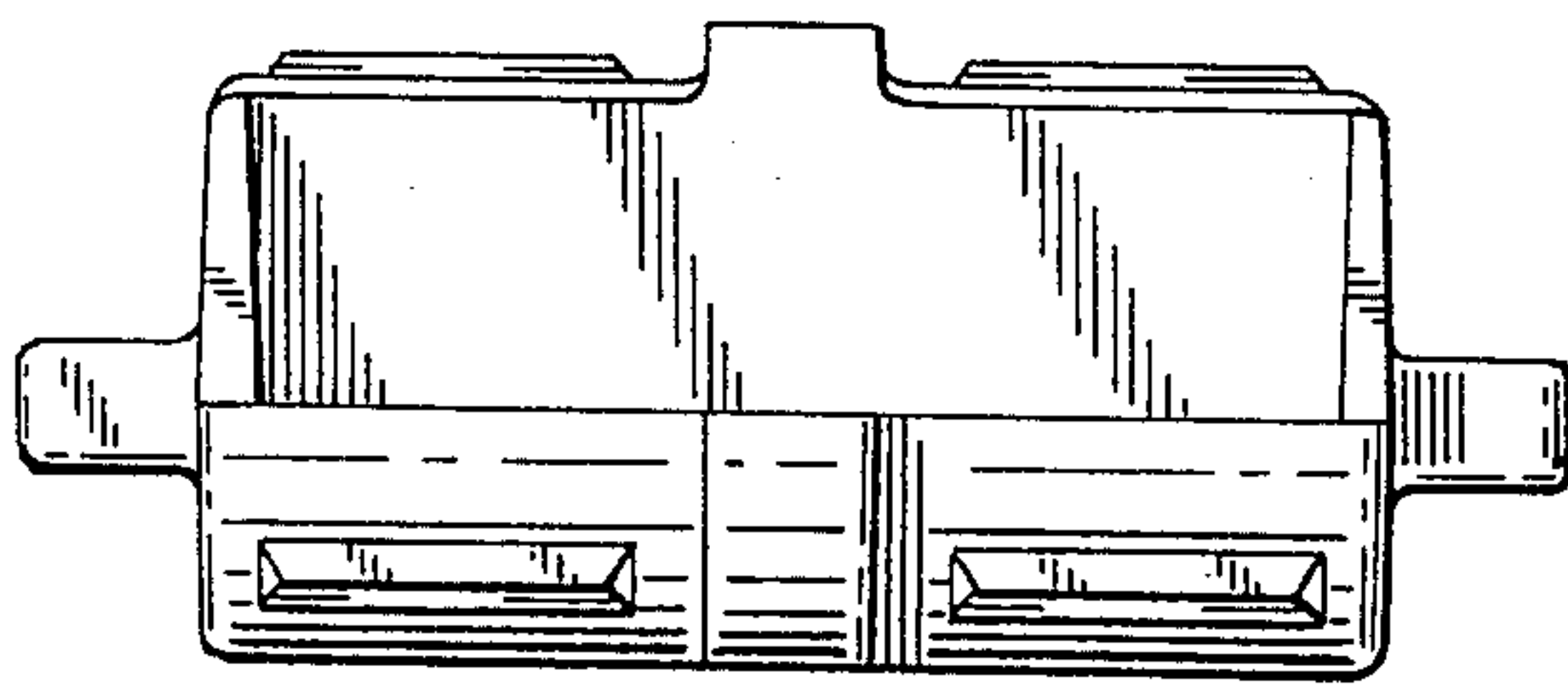


FIG. 3

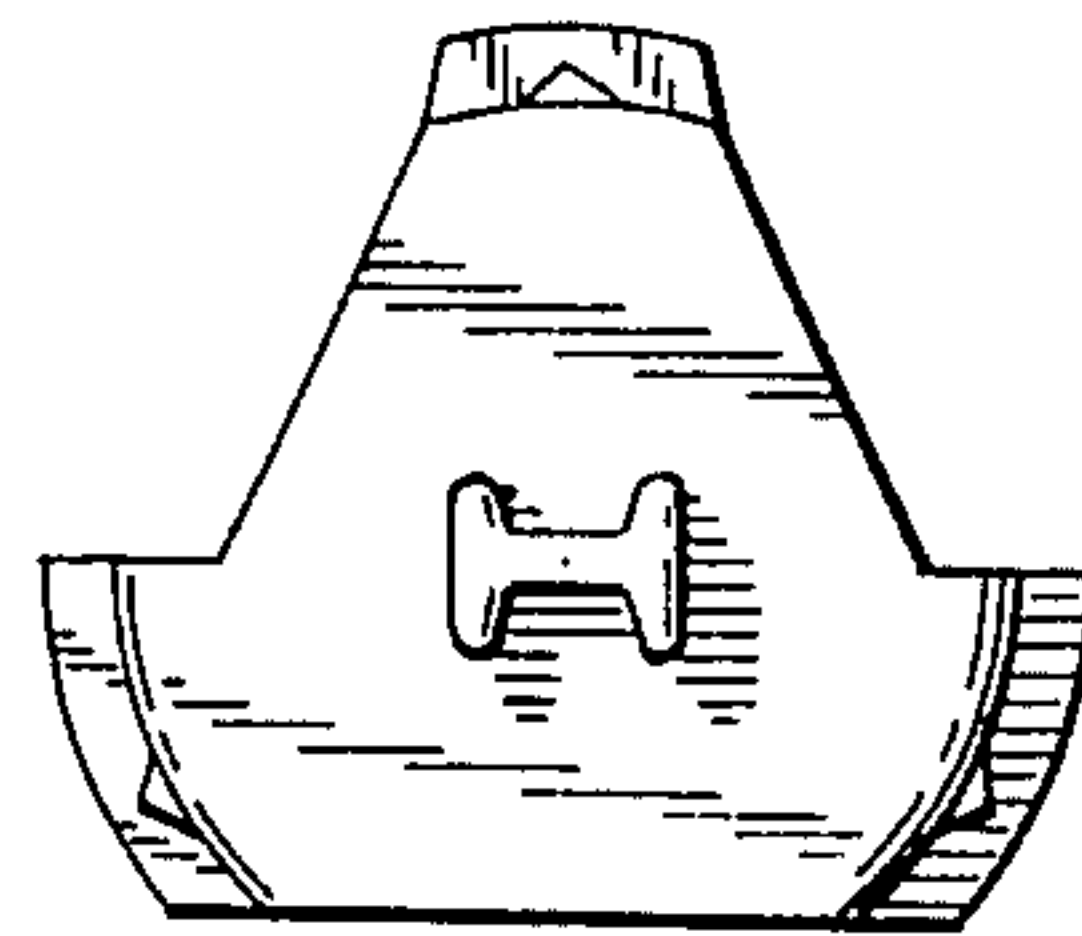


FIG. 5

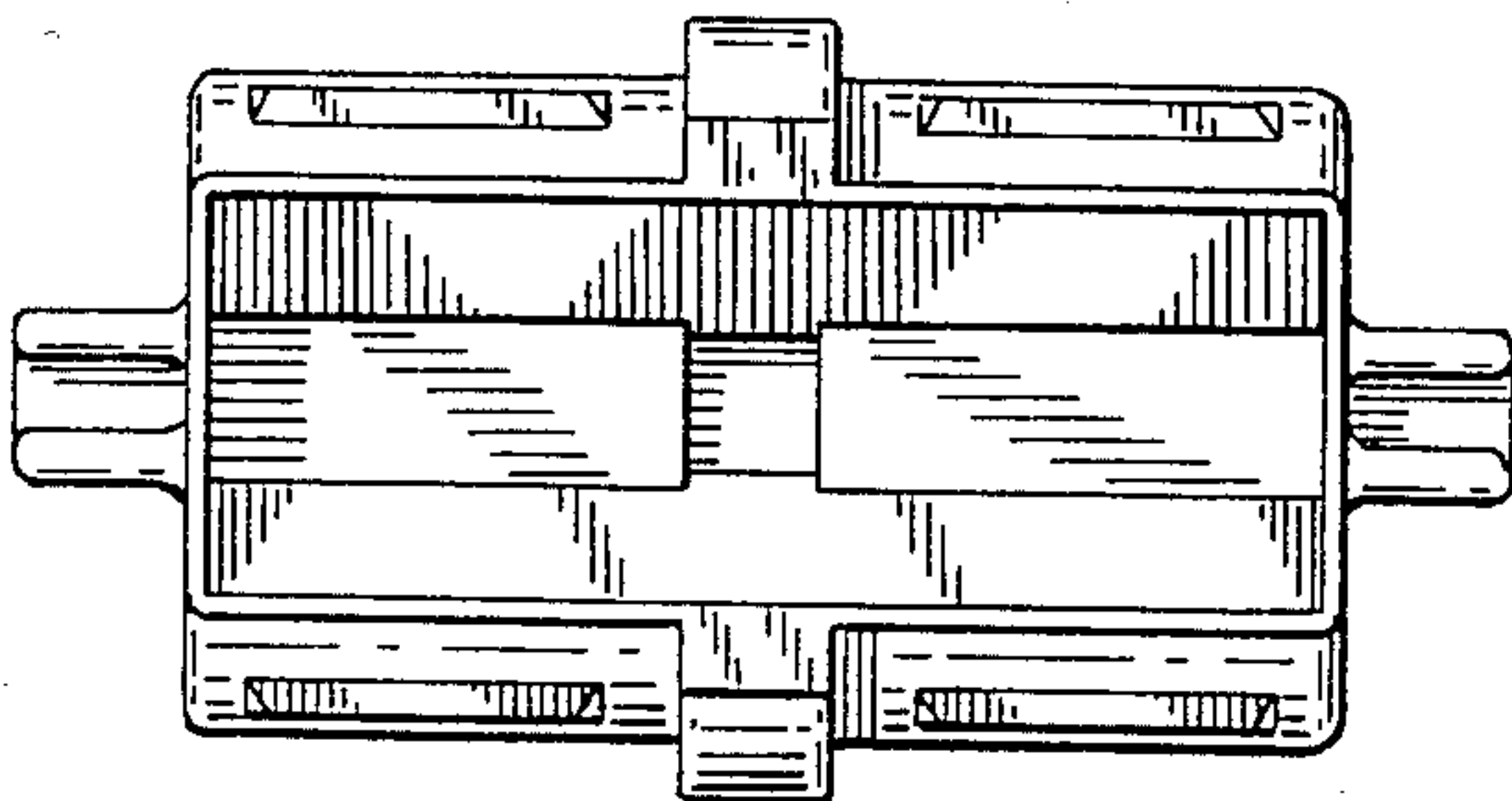


FIG. 4